



US00D514890S

(12) **United States Design Patent**
Morgan

(10) **Patent No.:** **US D514,890 S**

(45) **Date of Patent:** **** Feb. 14, 2006**

(54) **TABLE ORGANIZER**

(76) **Inventor:** **Thomas E. Morgan**, 2438 Iva Ct.,
Beloit, WI (US) 53511

(**) **Term:** **14 Years**

(21) **Appl. No.:** **29/218,689**

(22) **Filed:** **Dec. 6, 2004**

(51) **LOC (8) Cl.** **07-06**

(52) **U.S. Cl.** **D7/600.1; D7/590; D7/601**

(58) **Field of Classification Search** **D7/590,**
D7/600.1-601, 701, 707, 708; D6/457, 466,
D6/512, 553, 524-545, 556; D19/65, 75,
D19/77-86; D20/19; 211/13.1, 10, 70.6,
211/70.7, 70.1, 74, 75, 71.01, 85.4
See application file for complete search history.

(56) **References Cited**

U.S. PATENT DOCUMENTS

3,228,737 A * 1/1966 Kipnis 312/206
3,684,102 A * 8/1972 Colter 211/88.01

D246,277 S * 11/1977 Forselius D7/552.2
D301,101 S * 5/1989 Meyer D6/553
D385,136 S * 10/1997 Gutke D6/524

* cited by examiner

Primary Examiner—Terry A. Wallace

(57) **CLAIM**

The ornamental design for a table organizer, as shown and described.

DESCRIPTION

FIG. 1 is a front perspective view showing my new design.
FIG. 2 is a back perspective view thereof.
FIG. 3 is a bottom perspective view thereof.
FIG. 4 is a front elevation thereof.
FIG. 5 is a top plan view thereof.
FIG. 6 is left side elevation view thereof.
FIG. 7 is right side elevation view thereof.
FIG. 8 is a back elevation view thereof; and,
FIG. 9 bottom plan view thereof.

1 Claim, 4 Drawing Sheets

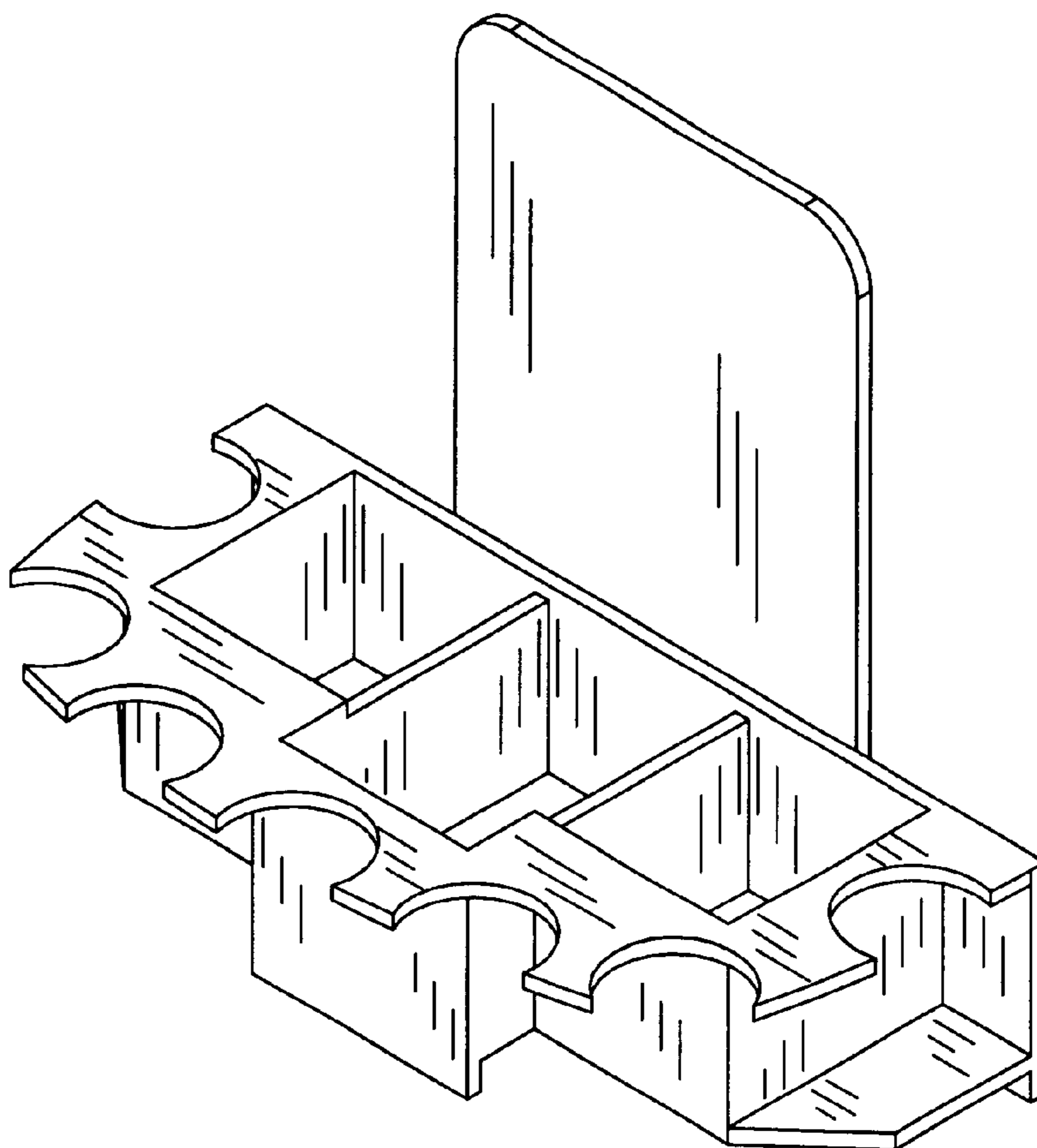


FIG. 1

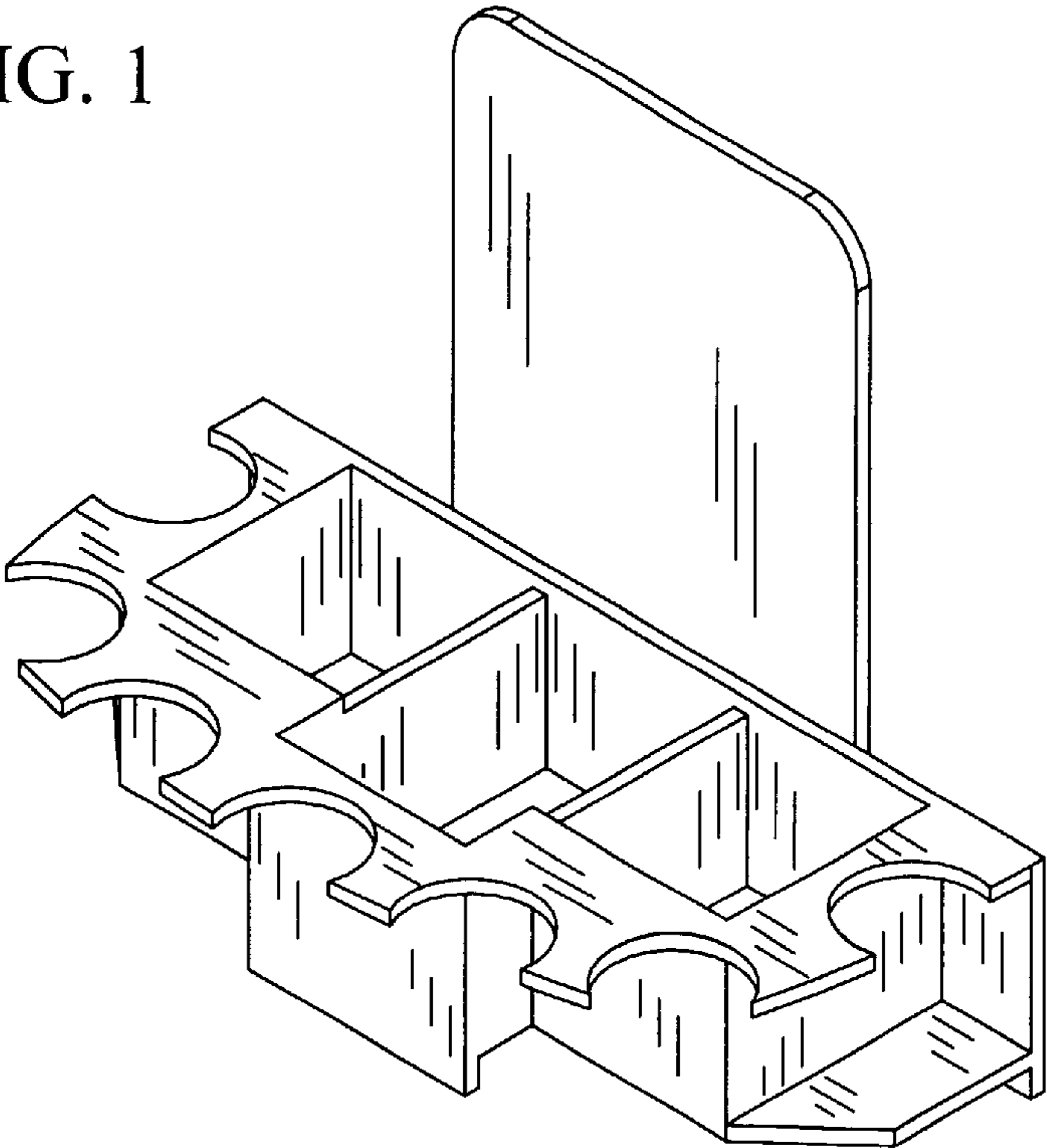
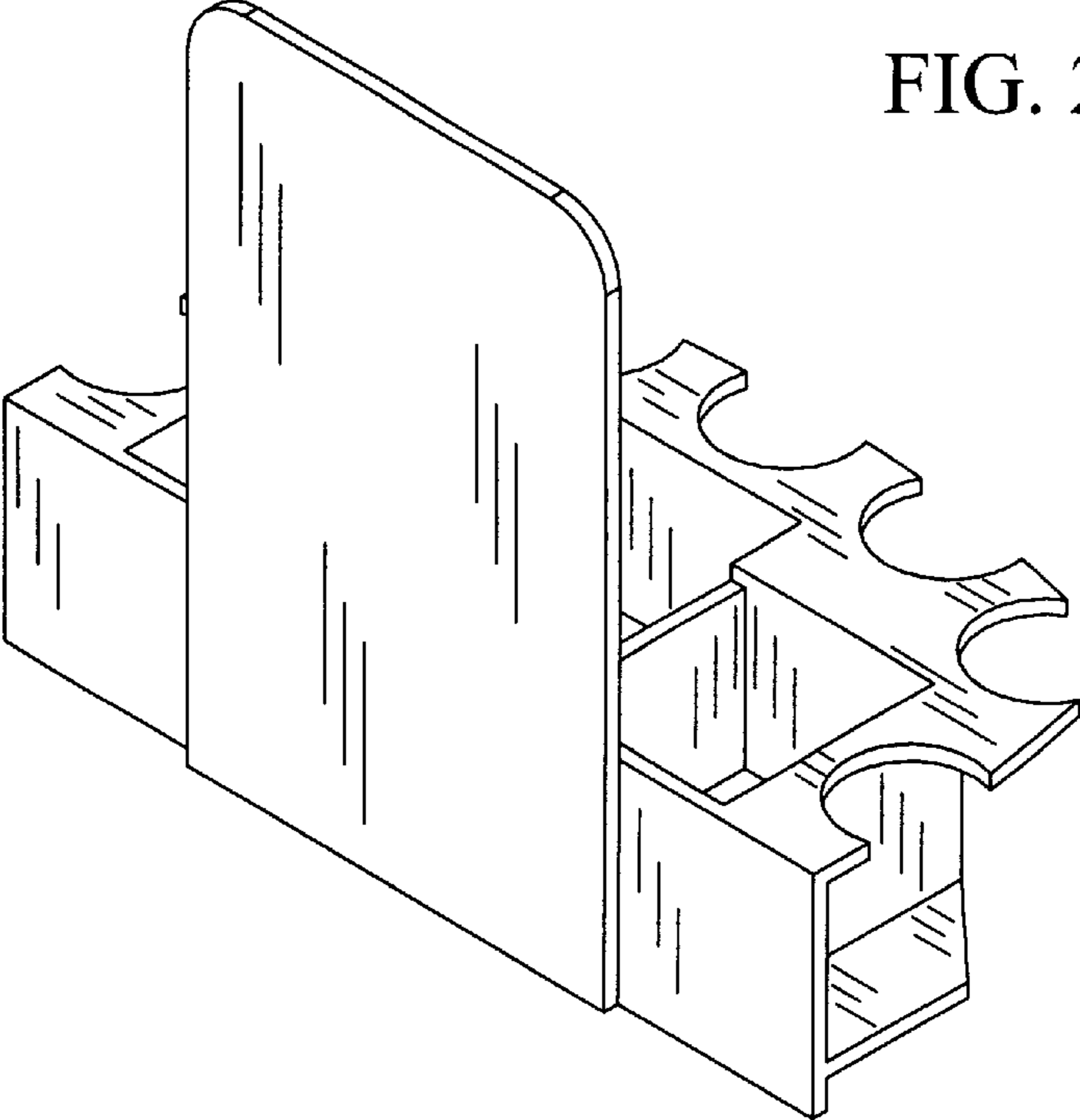


FIG. 2



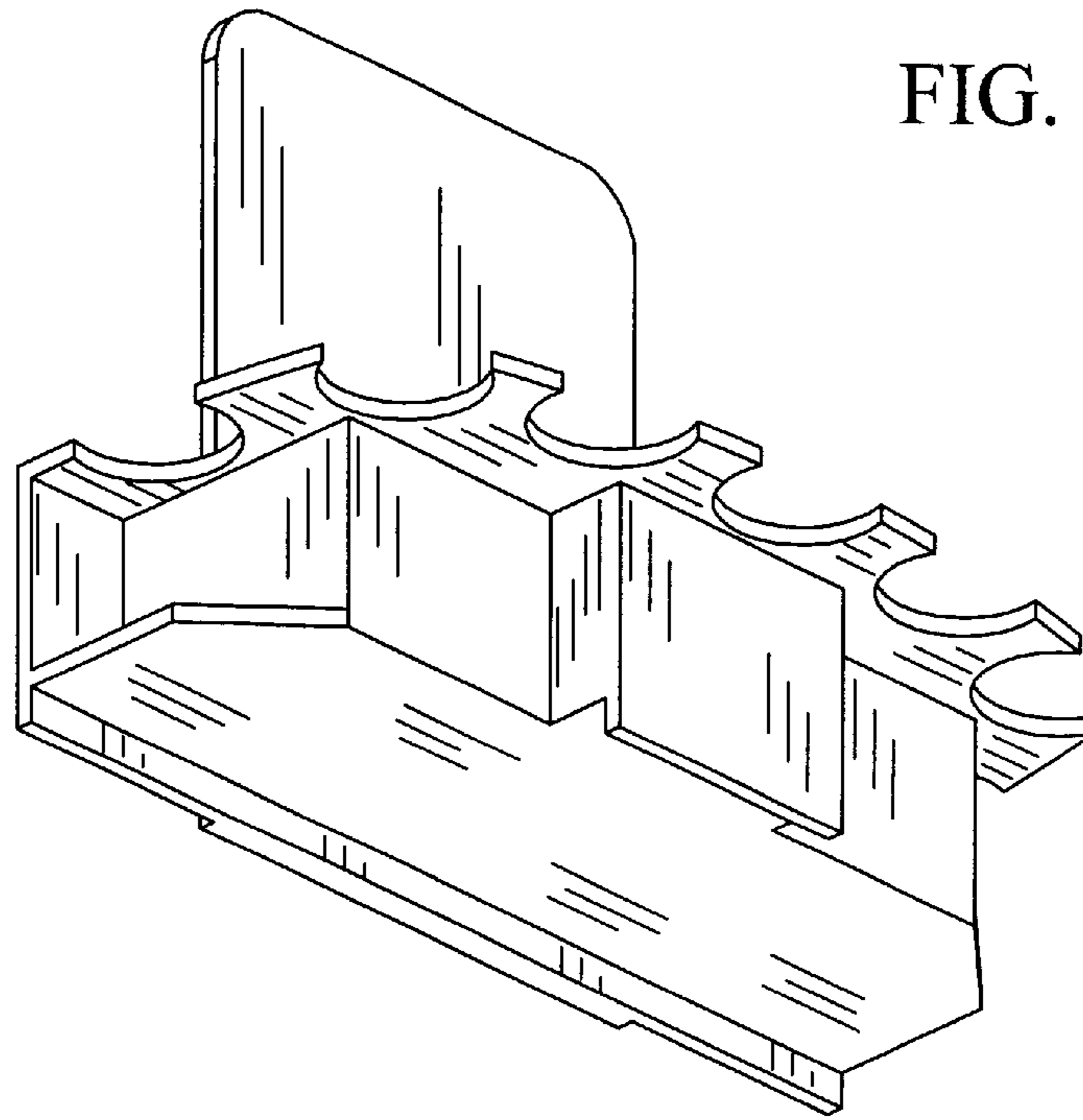
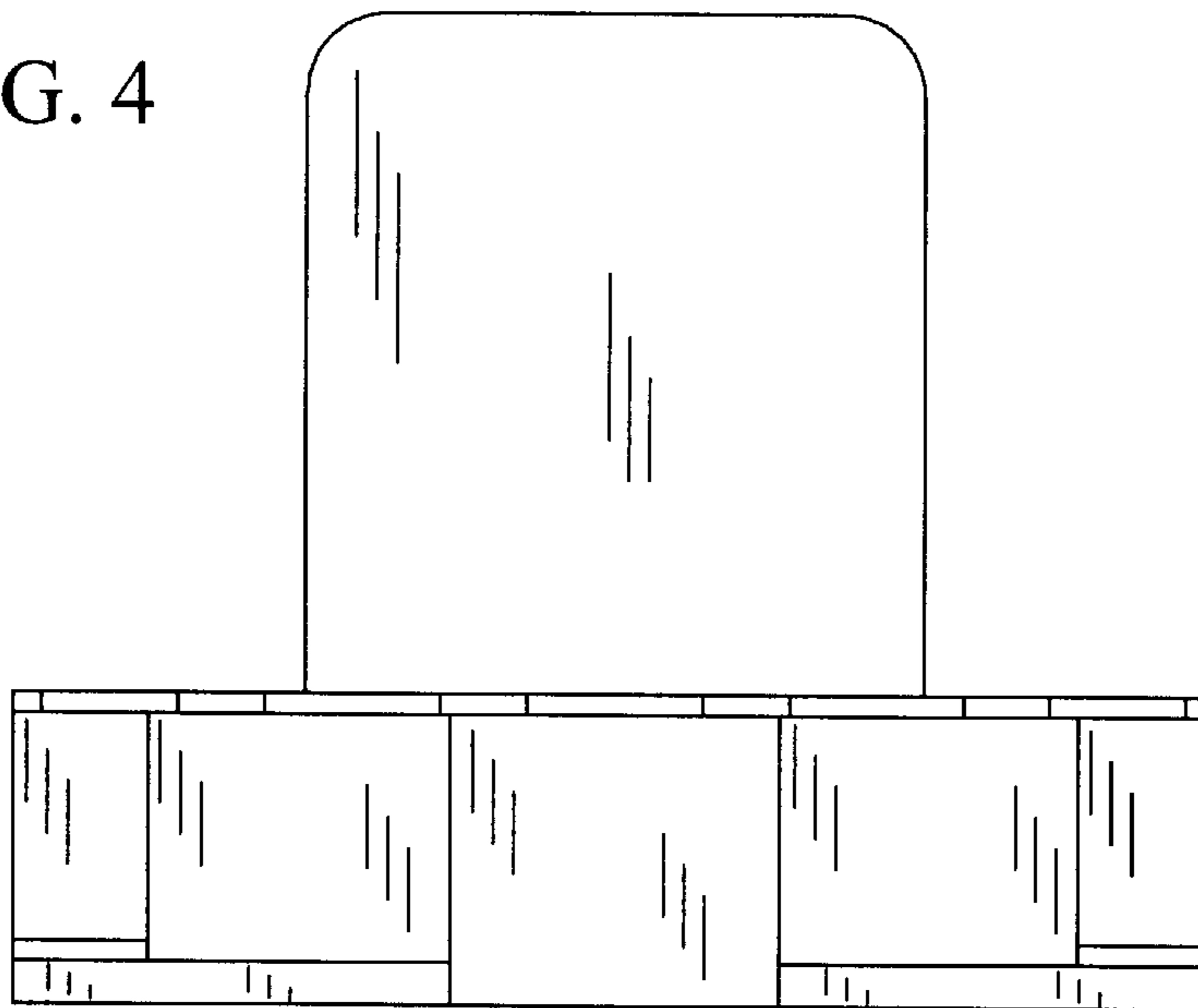


FIG. 3

FIG. 4



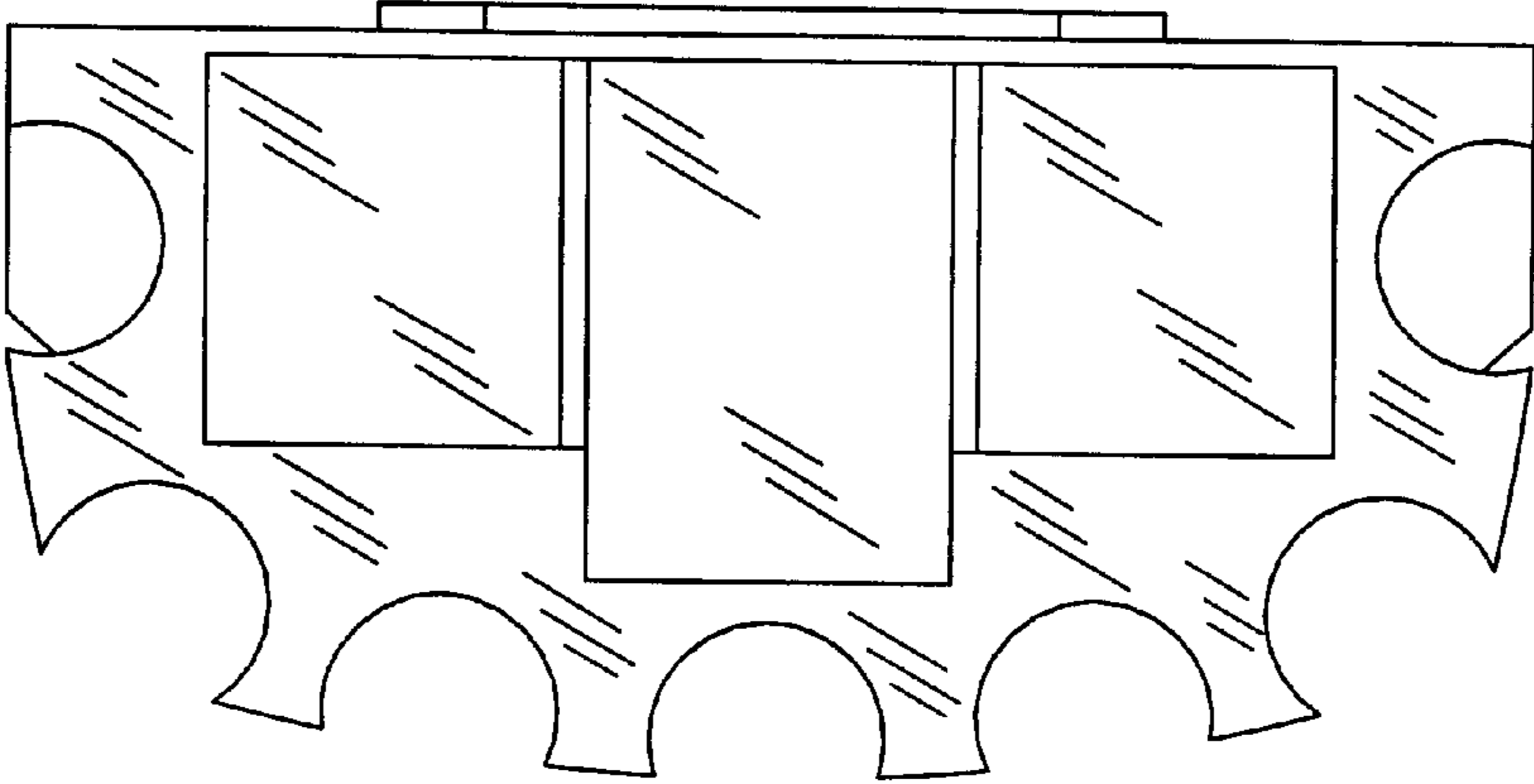


FIG. 5

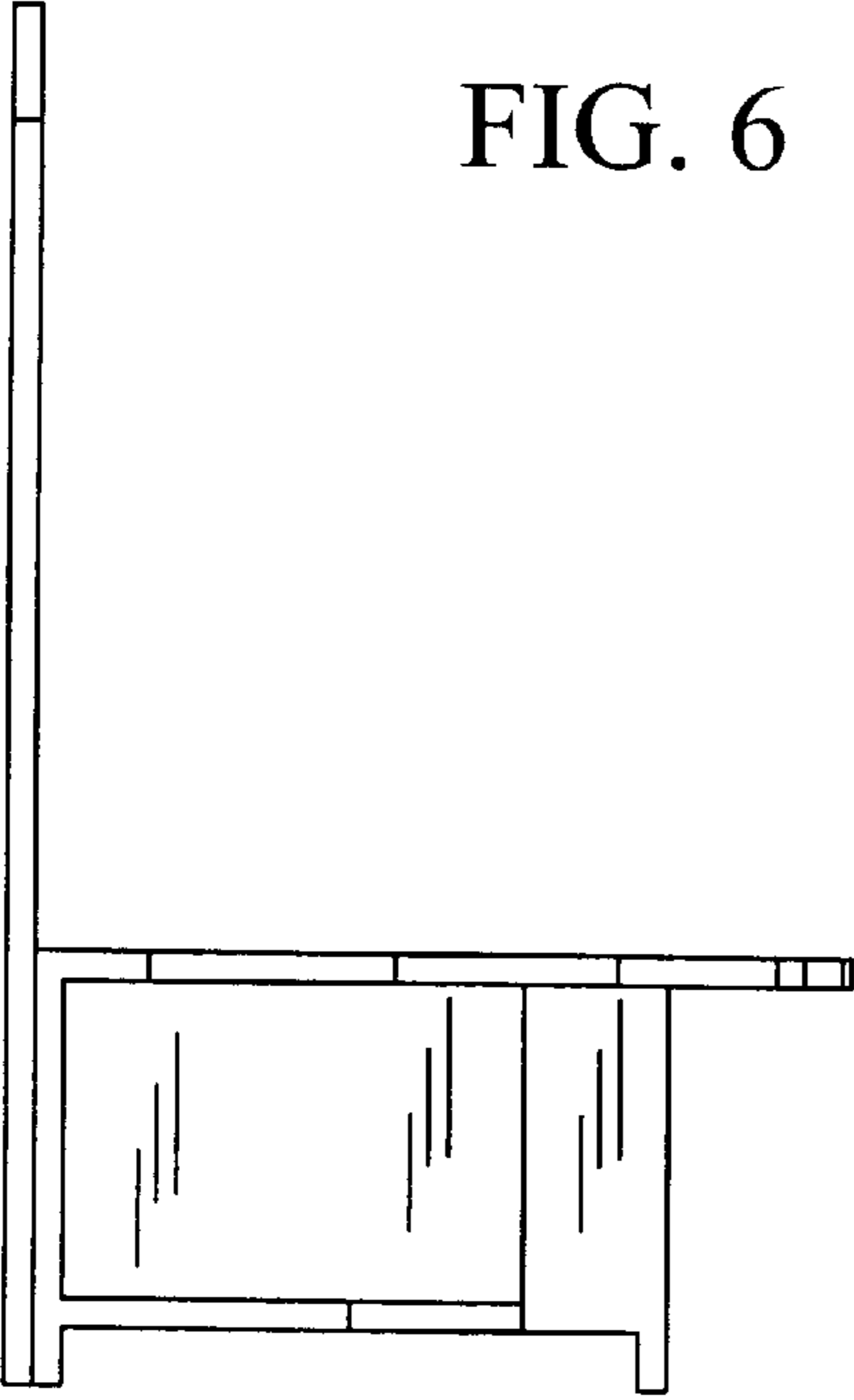


FIG. 6

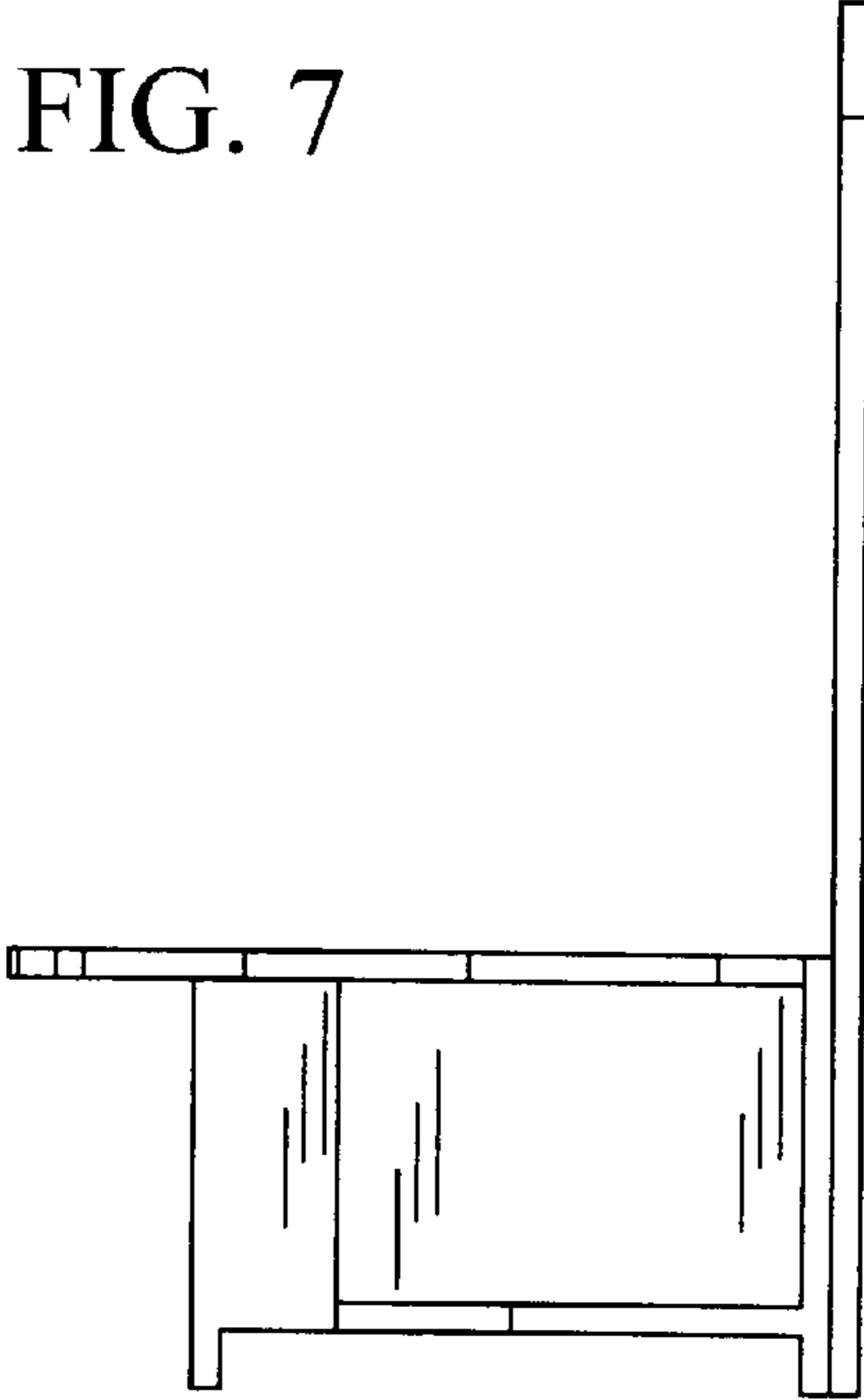


FIG. 7

FIG. 8

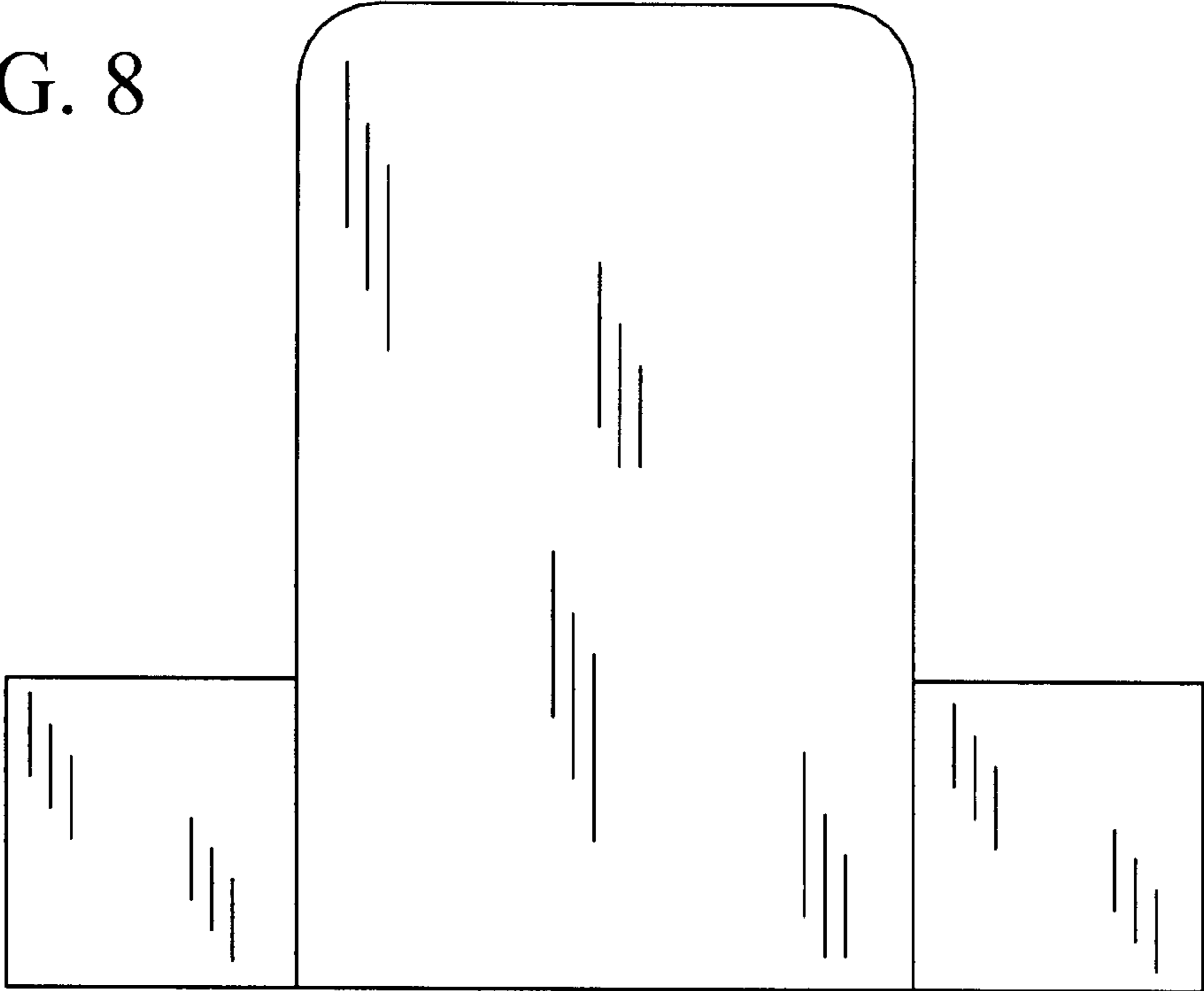


FIG. 9

