

US00D514884S

(12) **United States Design Patent**
Smith et al.

(10) **Patent No.:** **US D514,884 S**
(45) **Date of Patent:** **** Feb. 14, 2006**

- (54) **ERGONOMIC DISPOSABLE CUP**
- (75) Inventors: **Stephen Alan Smith**, Naperville, IL (US); **Kevin Ray Smith**, Round Lake Beach, IL (US); **Warren Giles Wiedmeyer**, Trevor, WI (US); **Kimberly Vaile Healy**, Chicago, IL (US); **Randy Golden**, Ada, OK (US); **Rudy DesChamps**, Mahomet, IL (US); **Irshad Khan**, Round Lake Beach, IL (US); **Bryce C. Rutter**, St. Louis, MO (US); **Brian C. Bone**, St. Louis, MO (US); **John H. Loudenslager**, Phoenix, AZ (US); **Jan Rolf Stillerman**, Phoenix, AZ (US)

1,636,174 A 7/1927 Dolan et al.
2,013,243 A 9/1935 Landon
2,629,534 A 2/1953 Reynolds

(Continued)

FOREIGN PATENT DOCUMENTS

DE 1 175 564 8/1964

(Continued)

OTHER PUBLICATIONS

Communication from the European Patent Office transmitting an International Search Report, mailed Nov. 19, 2004, for International Application No. PCT/US2004/009357.

Primary Examiner—M. N. Pandozzi

- (73) Assignee: **Solo Cup Company**, Highland Park, IL (US)

(74) *Attorney, Agent, or Firm*—Wallenstein Wagner & Rockey, Ltd.

- (**) Term: **14 Years**

(57) **CLAIM**

- (21) Appl. No.: **29/217,996**

We claim the ornamental Design for an ergonomic disposable cup, as shown and described.

- (22) Filed: **Nov. 23, 2004**

DESCRIPTION

Related U.S. Application Data

- (60) Division of application No. 29/194,964, filed on Dec. 3, 2003, now Pat. No. Des. 505,830, which is a continuation-in-part of application No. 10/676,807, filed on Oct. 1, 2003.

- (51) **LOC (8) Cl.** **07-01**
- (52) **U.S. Cl.** **D7/509; D7/531**
- (58) **Field of Classification Search** D7/532, D7/531, 523, 507, 509, 392.1, 396.1, 396.2, D7/629, 615, 530; D9/429, 556, 557; 222/129, 222/465.1; 426/394, 86; 428/36.4; 206/520, 206/519, 217, 514; 366/341; 215/373, 384; 220/705, 676, 738, 671, 675, 669, 694, 735; 229/403, 400, 402, 401; 53/426

See application file for complete search history.

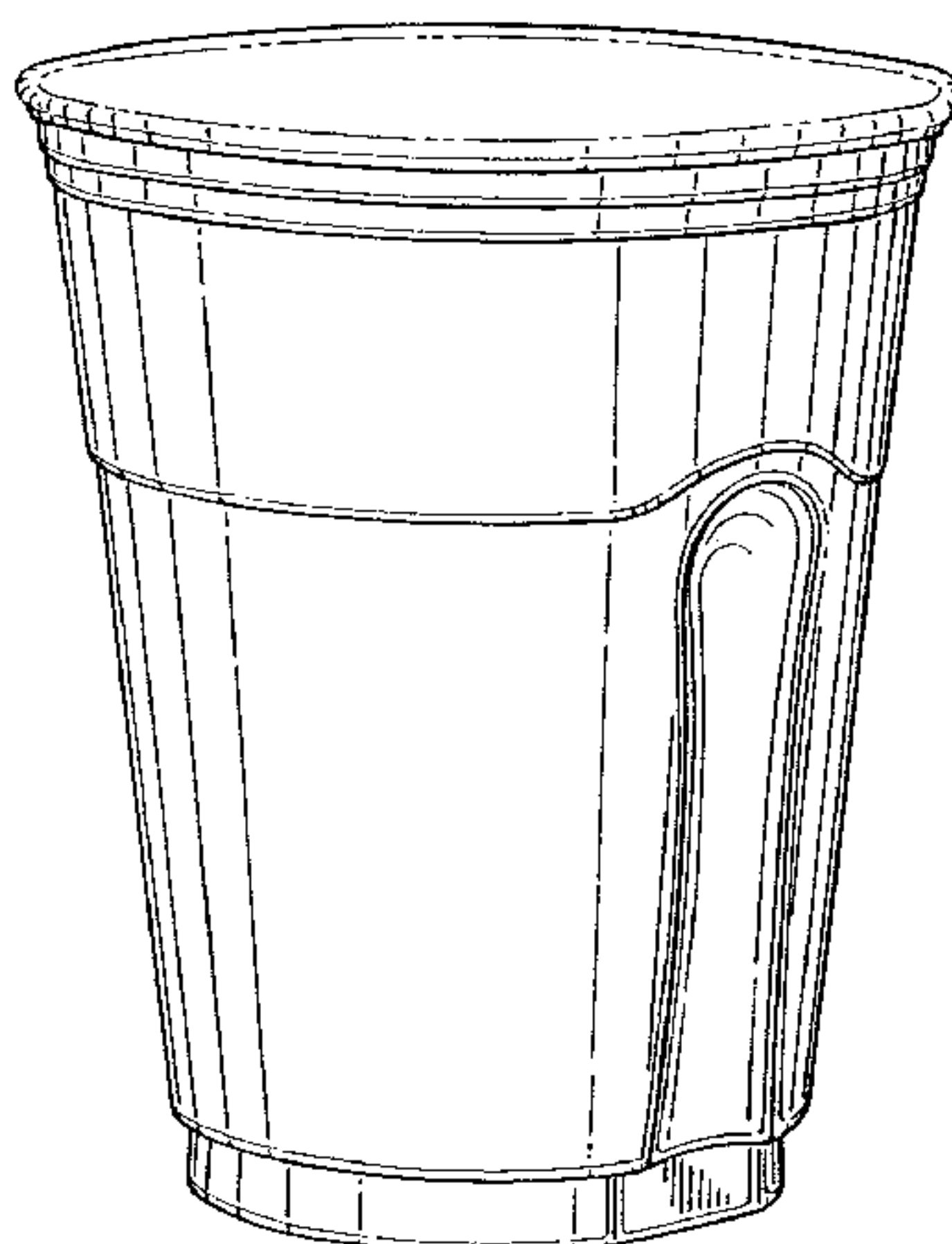
FIG. 1 is a perspective view of a first embodiment of the cup of the present invention;
 FIG. 2 is a front elevation view of the cup of FIG. 1, with an opposite view being identical thereto;
 FIG. 3 is a side elevation view of the cup of FIG. 1, with an opposite view being identical thereto;
 FIG. 4 is a top plan view of the cup of FIG. 1;
 FIG. 5 is a bottom plan view of the cup of FIG. 1;
 FIG. 6 is a perspective view of a second embodiment of the cup of the present invention;
 FIG. 7 is a front elevation view of the cup of FIG. 6, with an opposite view being identical thereto;
 FIG. 8 is a side elevation view of the cup of FIG. 6, with an opposite view being identical thereto;
 FIG. 9 is a top plan view of the cup of FIG. 6; and,
 FIG. 10 is a bottom plan view of the cup of FIG. 6.
 Broken lines in the Figures form no part of the claimed design.

(56) **References Cited**

U.S. PATENT DOCUMENTS

703,125 A 6/1902 Emrich

1 Claim, 6 Drawing Sheets



US D514,884 S

U.S. PATENT DOCUMENTS

2,745,586 A * 5/1956 Thoma 229/401
 2,905,350 A 9/1959 Edwards
 3,009,603 A 11/1961 Stockdale
 3,085,730 A 4/1963 Fibish
 3,091,360 A 5/1963 Edwards
 D197,313 S 1/1964 Wanderer
 3,126,139 A 3/1964 Schechter
 D198,139 S 5/1964 Edwards
 3,131,845 A 5/1964 Sherlock et al.
 3,139,213 A 6/1964 Edwards
 D199,336 S 10/1964 Wanderer
 D199,579 S 11/1964 Davis
 3,288,340 A 11/1966 Shapiro et al.
 3,342,370 A 9/1967 Johnson
 D208,872 S 10/1967 Davis
 D210,767 S 4/1968 Anglada
 3,375,954 A * 4/1968 Honkanen et al. 206/520
 D211,514 S 6/1968 Amberg
 3,397,867 A 8/1968 van't Hoff
 D213,094 S * 1/1969 Davis D7/531
 D213,173 S 1/1969 Lockhart et al.
 D213,174 S * 1/1969 Davis D7/531
 3,437,253 A * 4/1969 Davis 229/400
 D220,031 S * 3/1971 Donovan D9/429
 D223,999 S 6/1972 Klose
 D228,125 S * 8/1973 Weiss D9/429
 3,951,266 A 4/1976 Brewer
 4,049,187 A 9/1977 Florian
 4,052,037 A 10/1977 Mair et al.
 4,061,782 A 12/1977 Baxter
 4,102,454 A * 7/1978 Karevaara 206/514
 4,134,492 A 1/1979 Lucas
 4,245,685 A 1/1981 Nemitz et al.
 4,420,081 A 12/1983 Dart
 D272,794 S 2/1984 Dart
 4,548,348 A 10/1985 Clements
 4,578,296 A * 3/1986 Miyazaki et al. 428/36.4
 D285,032 S 8/1986 Alonzo

5,082,135 A * 1/1992 DeCoster 220/694
 D328,014 S * 7/1992 DeCoster et al. D7/629
 D346,308 S 4/1994 Cautereels et al.
 5,415,339 A 5/1995 Howard
 5,423,160 A 6/1995 Rosén
 D368,234 S 3/1996 Dickinson et al.
 5,634,569 A * 6/1997 DeCoster 220/735
 5,678,726 A * 10/1997 Porteous 220/676
 D387,619 S 12/1997 Gross et al.
 D399,099 S * 10/1998 Cousins D7/615
 D410,174 S 5/1999 Sheu
 D413,067 S 8/1999 Haley
 D416,757 S 11/1999 Ginuntoli
 6,109,518 A * 8/2000 Mueller et al. 229/403
 D436,295 S 1/2001 Furman et al.
 D441,252 S 5/2001 Gitschlag
 D443,475 S * 6/2001 Miura D7/507
 D444,672 S * 7/2001 Miura D7/507
 6,264,068 B1 7/2001 Ours et al.
 D446,684 S * 8/2001 Price D7/509
 D446,687 S * 8/2001 Furman et al. D7/523
 D448,976 S 10/2001 McDonough et al.
 6,554,154 B1 4/2003 Chauhan et al.
 2003/0157224 A1 8/2003 Westserhof et al.
 2004/0045974 A1 * 3/2004 Gtruber et al. 220/669

FOREIGN PATENT DOCUMENTS

DE	1 216 139	5/1966
DE	44 19 161 A1	12/1995
DE	298 02 377 U1	6/1998
EP	0 371 918	6/1990
FR	2.207.836	6/1974
GB	395996	7/1933
GB	1096451	12/1967
GB	1 251 595	10/1971
GB	1 461 394	1/1977
GB	2 352 612 A	7/2001

* cited by examiner

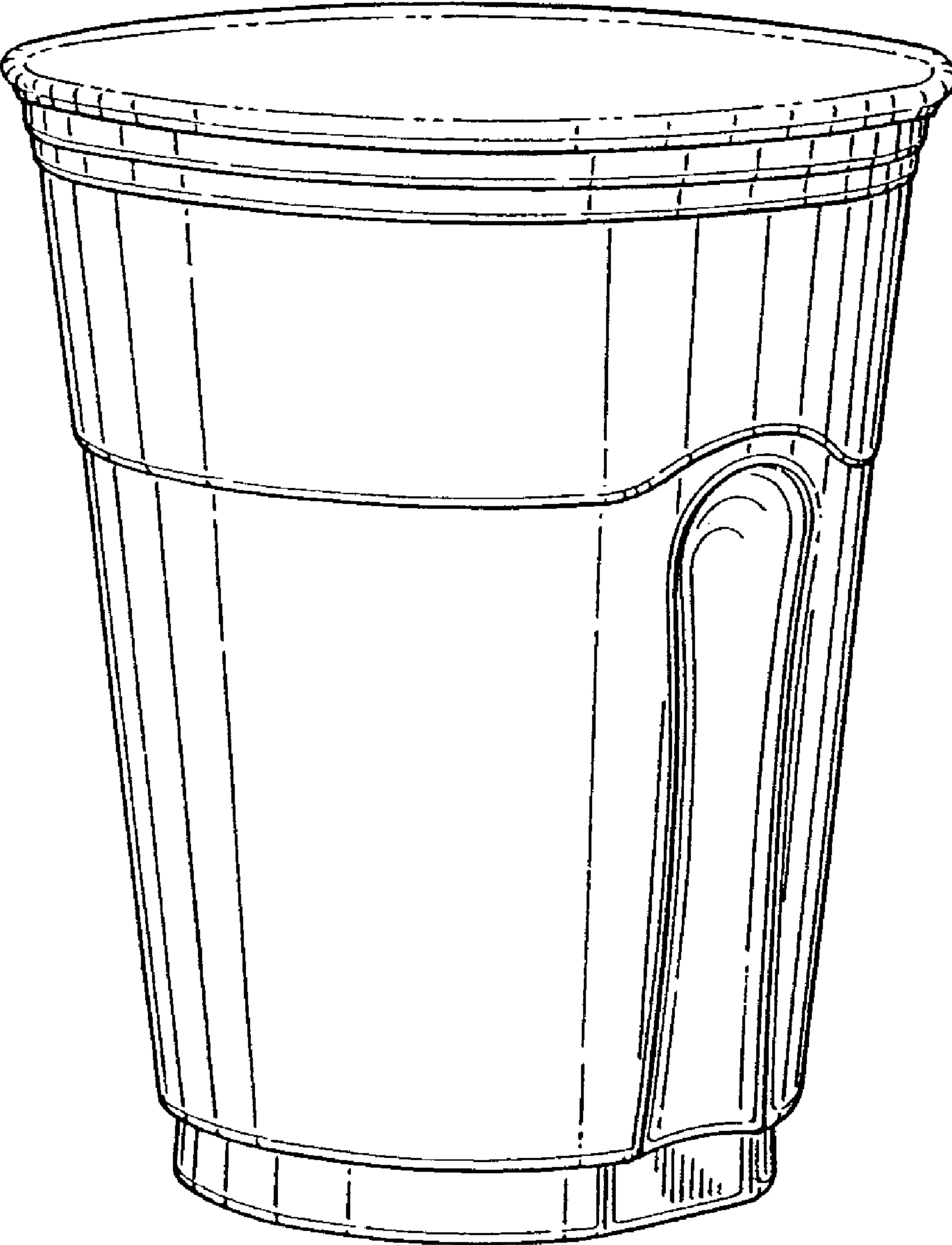


FIG. 1

FIG. 2

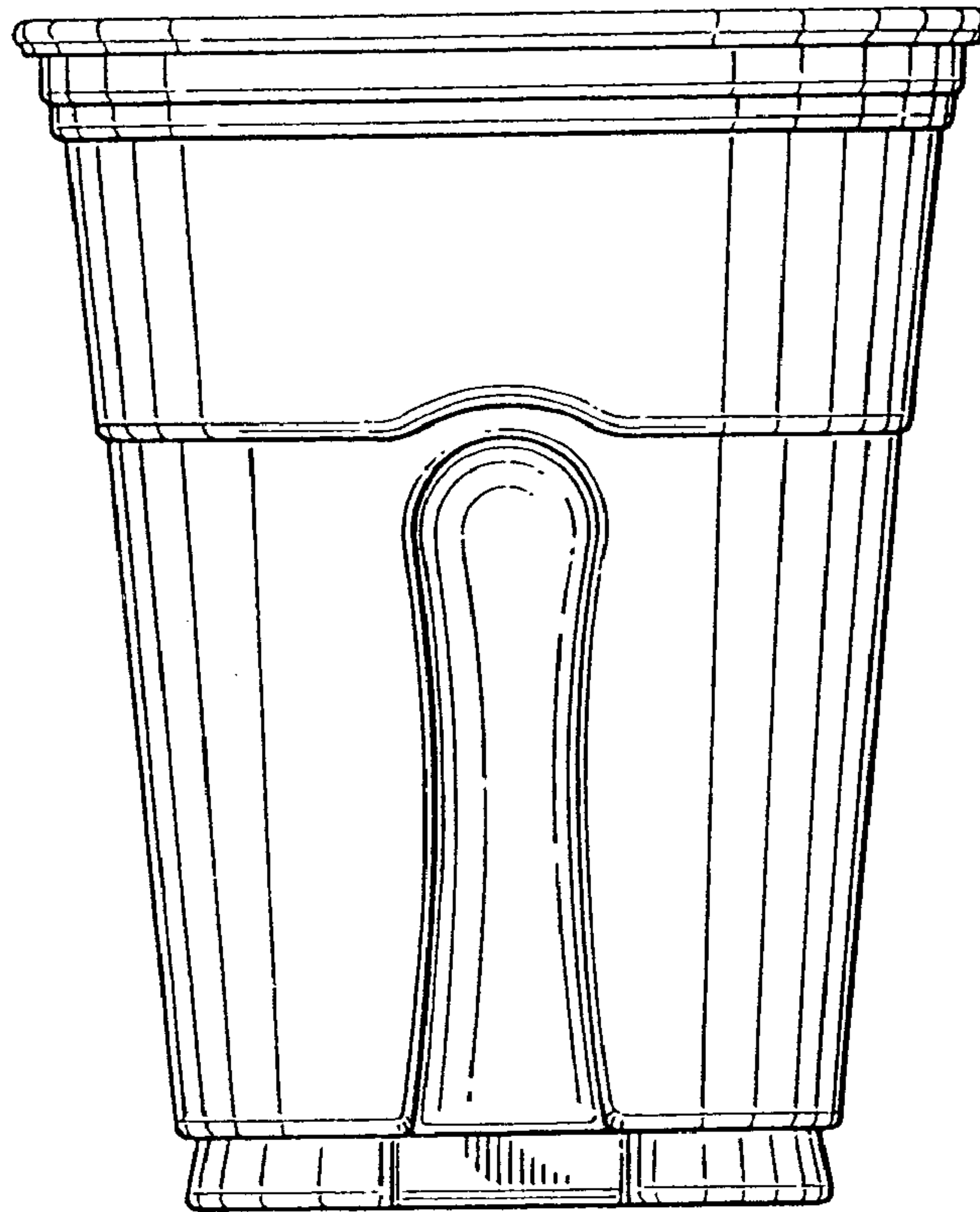


FIG. 3

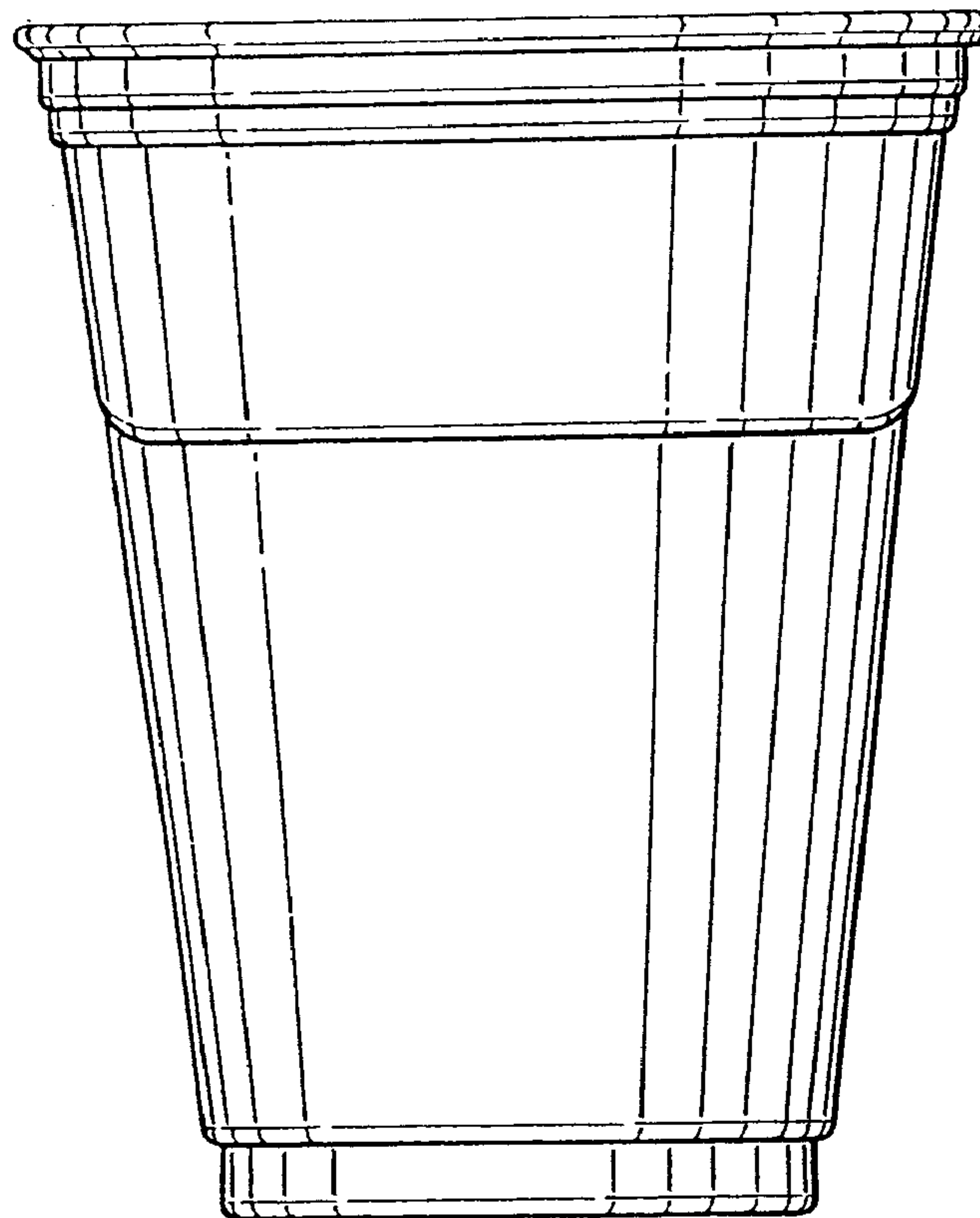


FIG. 4

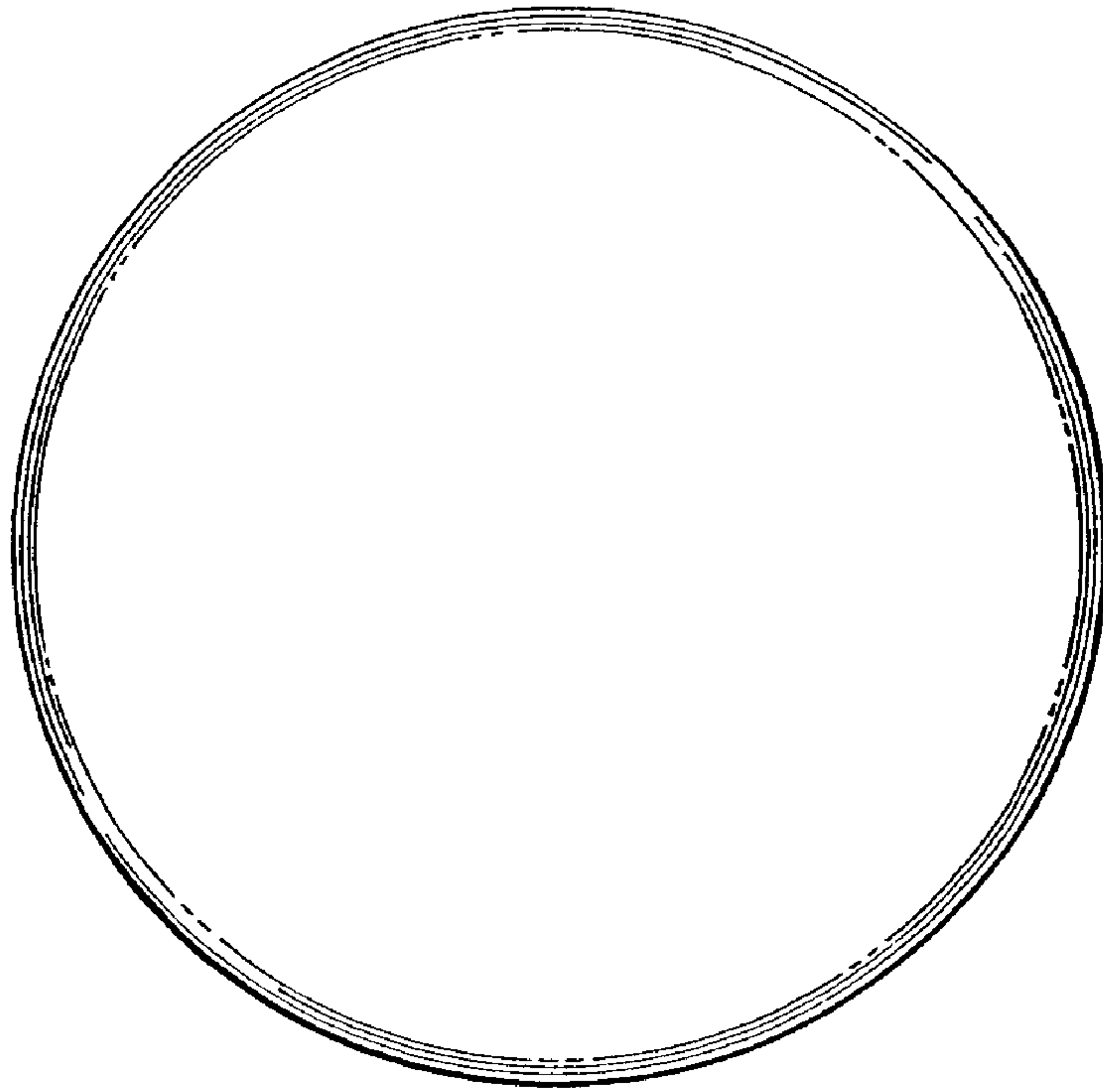
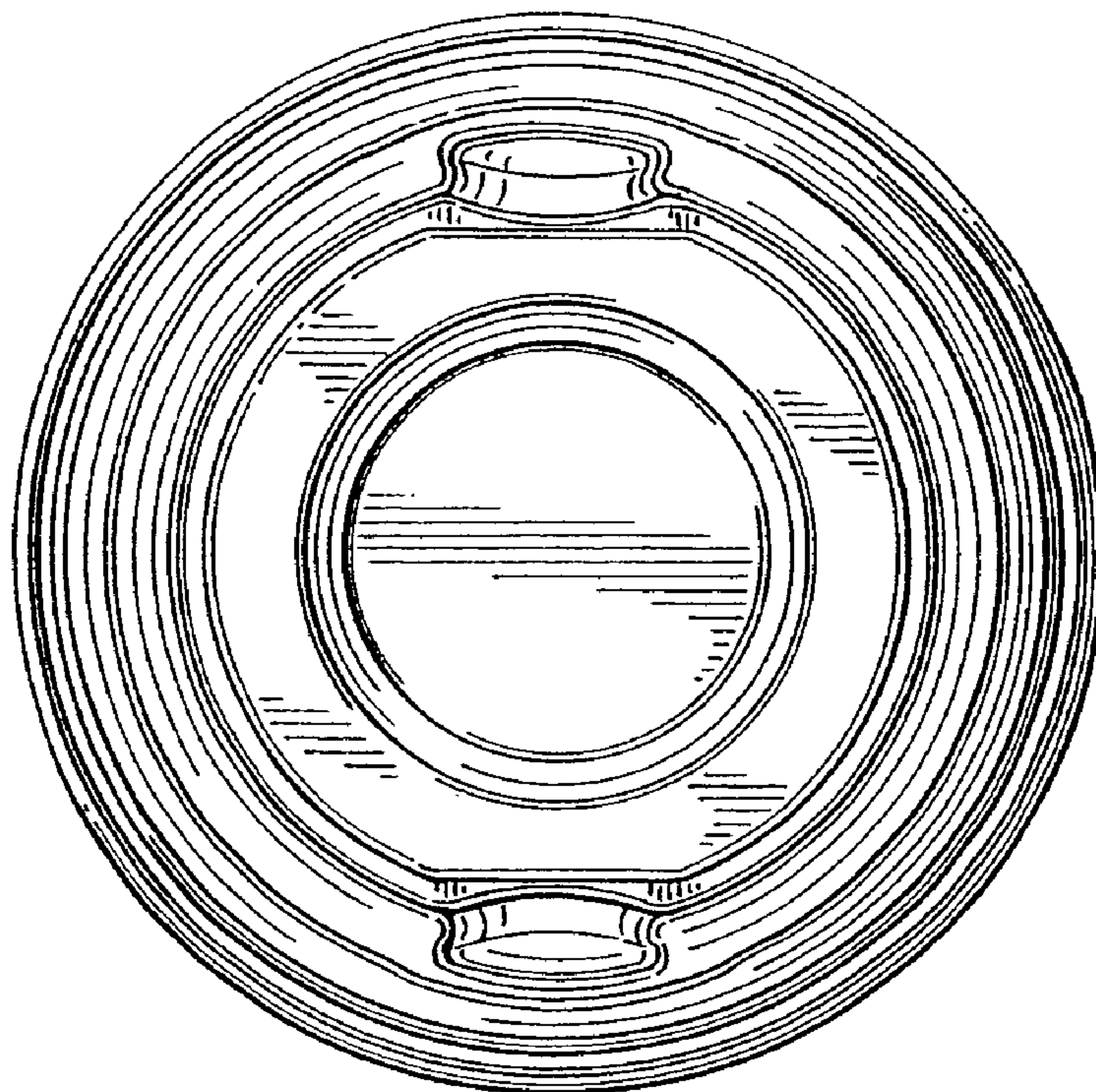


FIG. 5



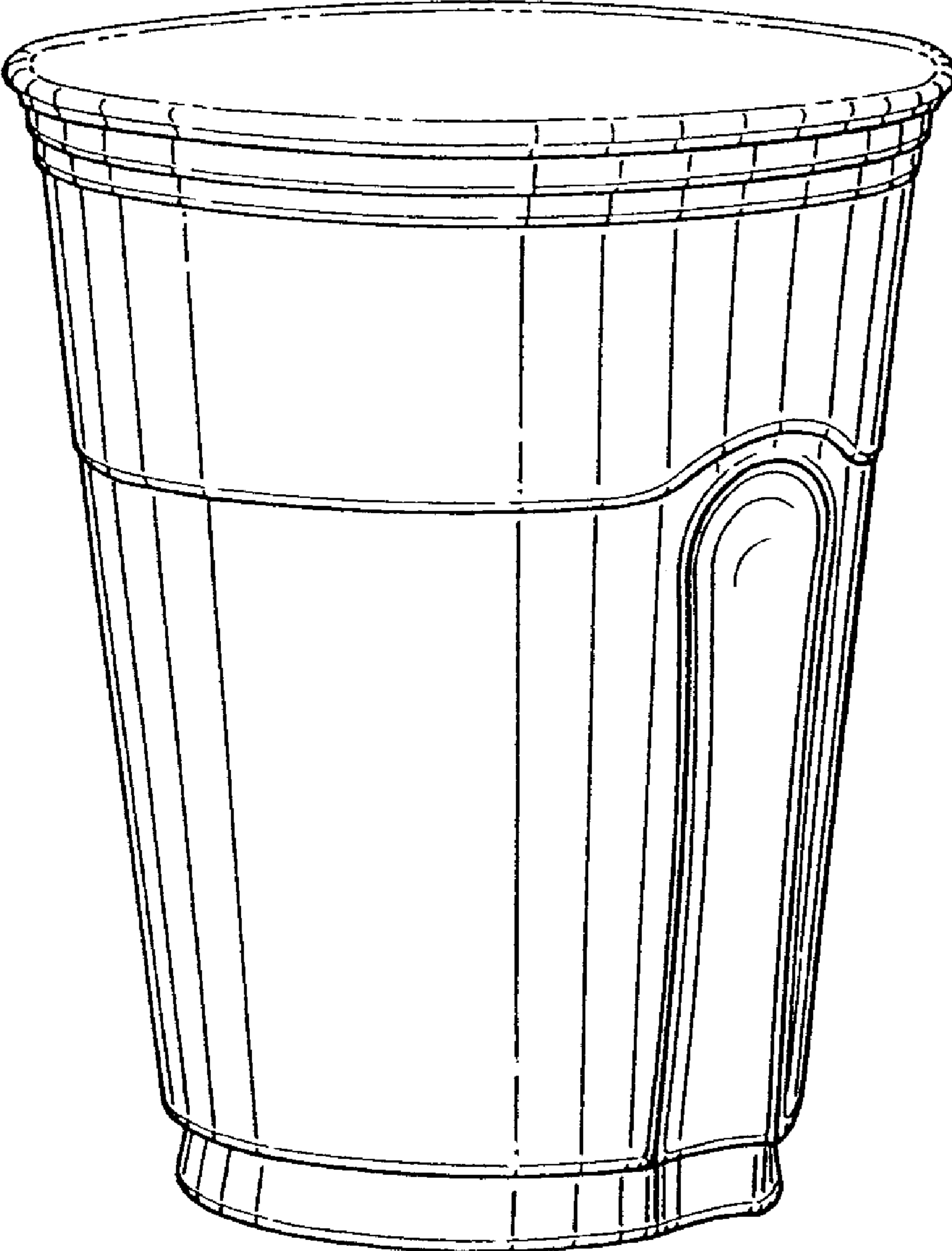


FIG. 6

FIG. 7

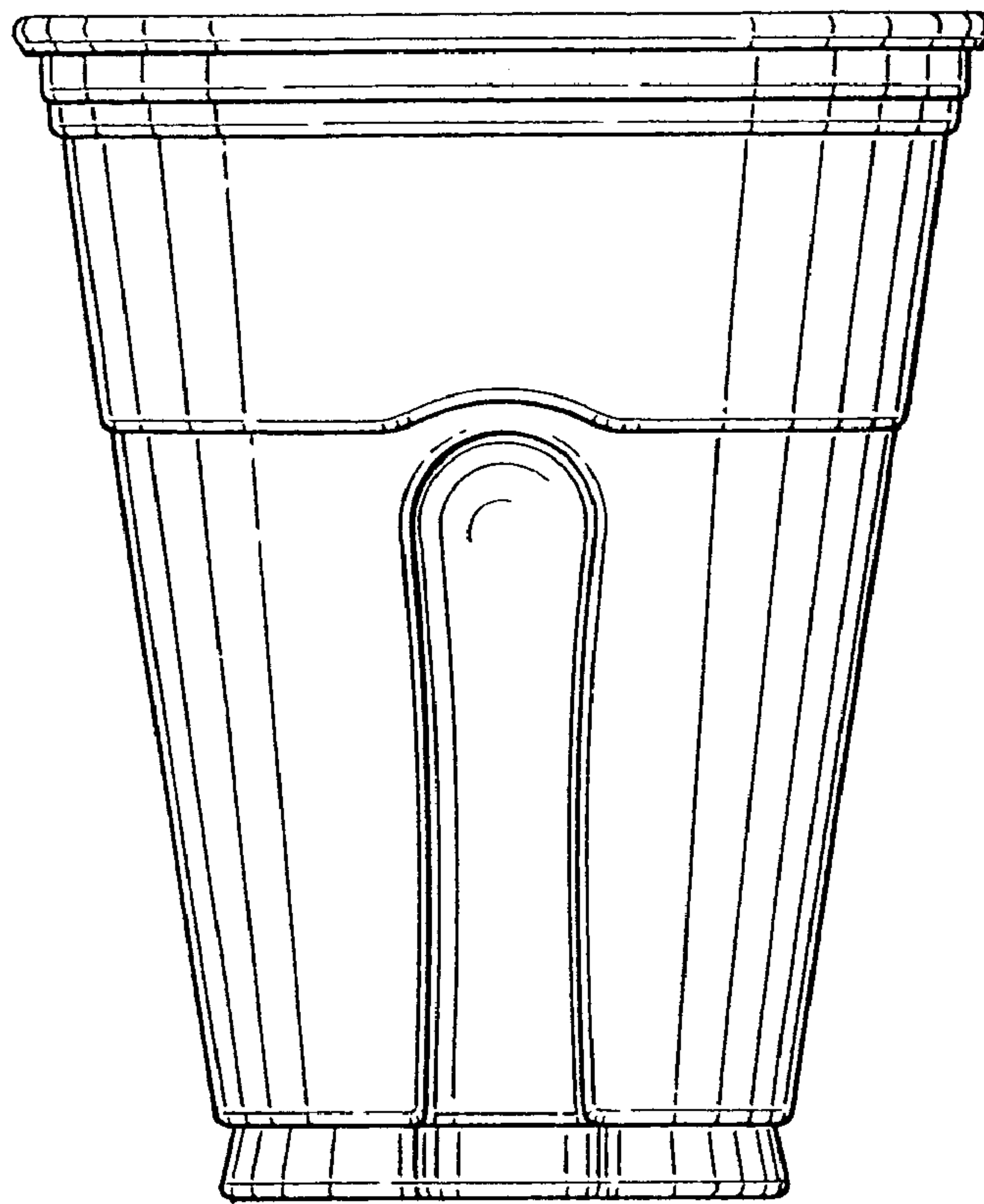


FIG. 8

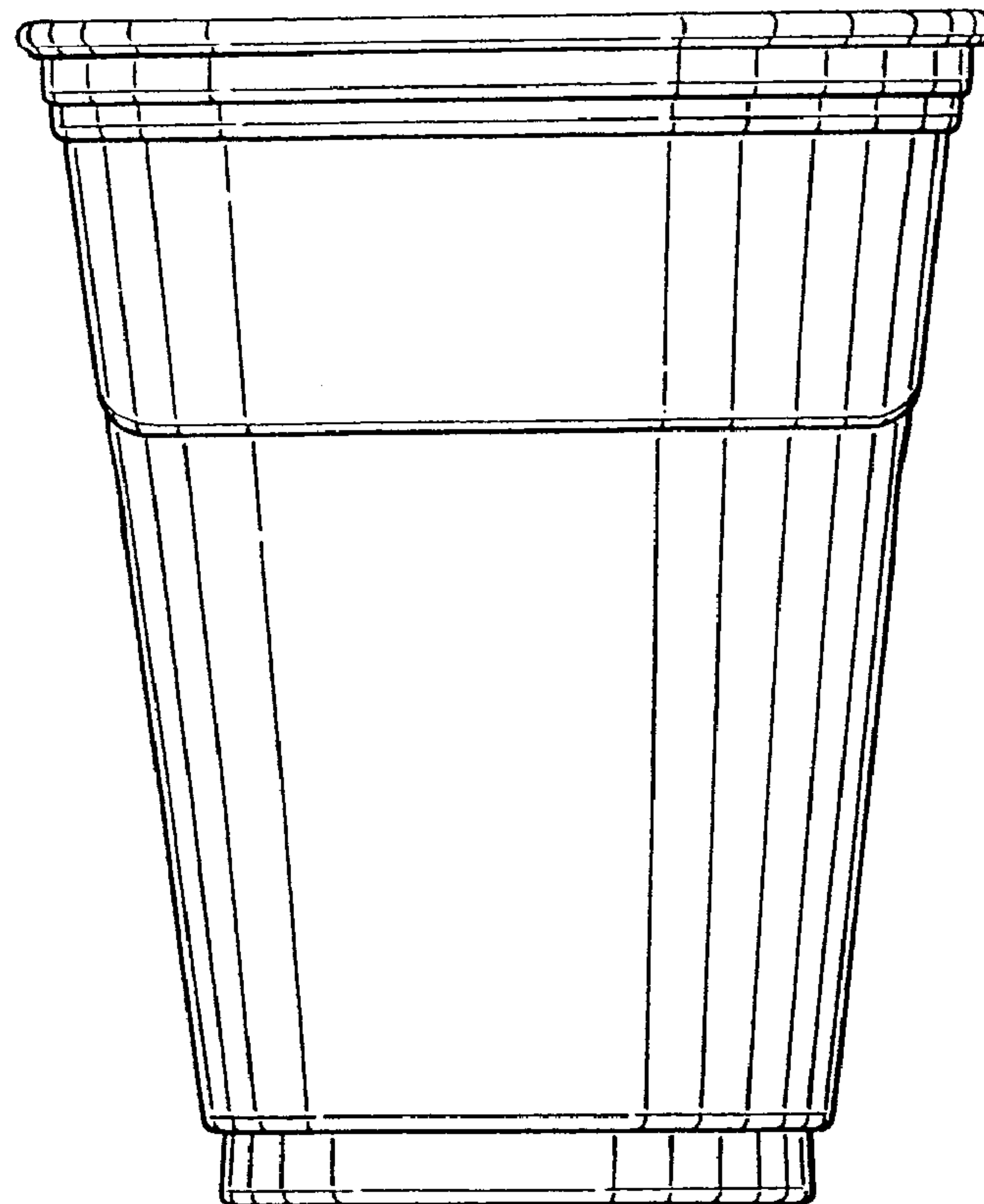


FIG. 9

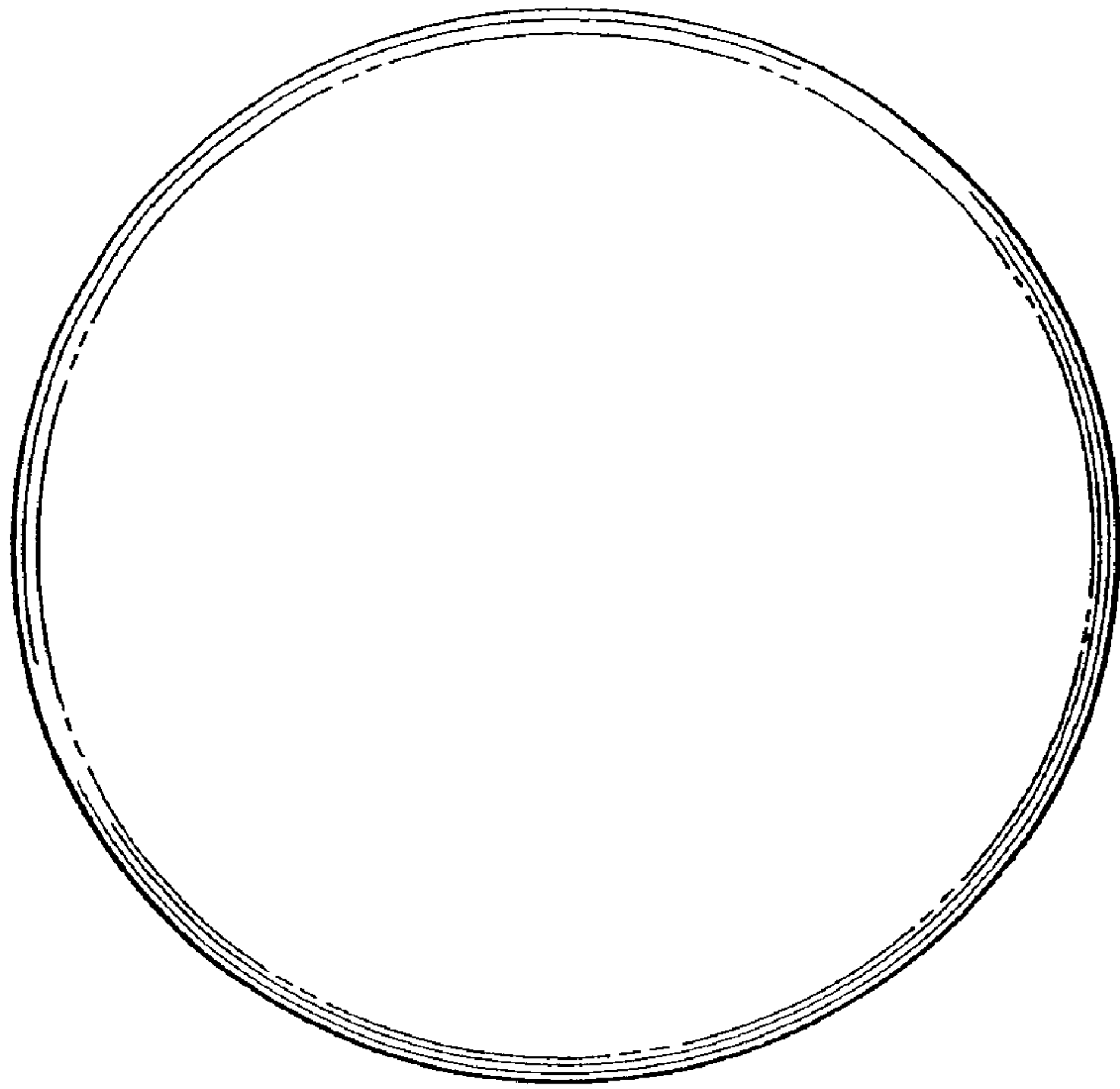


FIG. 10

