

US00D514882S

(12) **United States Design Patent**
Marshall et al.

(10) **Patent No.: US D514,882 S**

(45) **Date of Patent: ** Feb. 14, 2006**

(54) **CAMPING STOVE**

(75) Inventors: **Duane D. Marshall**, Wichita, KS (US);
Joshua M. Wright, Wichita, KS (US)

(73) Assignee: **The Coleman Company, Inc.**, Wichita,
KS (US)

(**) Term: **14 Years**

(21) Appl. No.: **29/211,541**

(22) Filed: **Aug. 18, 2004**

(51) **LOC (8) Cl. 07-02**

(52) **U.S. Cl. D7/402**

(58) **Field of Classification Search** D7/332,
D7/334-337, 361, 402-405, 417; 126/9 R,
126/9 B, 13, 2, 25 R, 25 B, 26, 29, 37 R-38,
126/40, 41 R, 50, 218, 260, 262, 274, 304 R,
126/305, 350.1, 375.1, 506; 108/115, 119;
99/447, 450; 219/451.1, 452.11, 455.11,
219/385, 520, 450.1; 248/98, 129, 166, 188.6,
248/250, 439; 431/203

See application file for complete search history.

D407,598 S	4/1999	Deni et al.	
D412,808 S	8/1999	Hinton et al.	
D414,982 S	* 10/1999	Hopkins et al.	D7/362
D415,925 S	* 11/1999	Pai	D7/337
D427,480 S	7/2000	Brady	
D432,852 S	10/2000	Mosher, II et al.	
D437,183 S	* 2/2001	Wong et al.	D7/362
D444,667 S	* 7/2001	Wong et al.	D7/362
D450,976 S	11/2001	Mosher, II	
D455,041 S	4/2002	Smith	
D464,843 S	10/2002	Schulte et al.	
D469,298 S	1/2003	Hinton et al.	
D472,757 S	4/2003	Schulte et al.	
D498,113 S	* 11/2004	Zhang	D7/332
D503,868 S	* 4/2005	Pai	D7/337
D504,275 S	* 4/2005	Pai	D7/337
D505,045 S	* 5/2005	Assmann	D7/367

* cited by examiner

Primary Examiner—Ruth McInroy

(74) *Attorney, Agent, or Firm*—Leydig, Voit & Mayer Ltd.

(57) **CLAIM**

The ornamental design for a camping stove, as shown and described.

DESCRIPTION

FIG. 1 is a top, right front perspective view of a camping stove showing our new design;
FIG. 2 is a front view thereof;
FIG. 3 is a rear view thereof;
FIG. 4 is a left side view thereof;
FIG. 5 is a right side view thereof; and,
FIG. 6 is a top view thereof.
The broken line showing is for illustrative purposes only and forms no part of the claimed design.

1 Claim, 3 Drawing Sheets

(56) **References Cited**

U.S. PATENT DOCUMENTS

D245,220 S	8/1977	Chan
D251,893 S	5/1979	Chan
D251,894 S	5/1979	Chan
D253,218 S	10/1979	Johnson
D276,303 S	11/1984	Chan
D291,399 S	8/1987	Chan
D334,108 S	3/1993	Fisher
D347,548 S	6/1994	Boehm et al.
D384,546 S	10/1997	Lin
5,782,230 A	7/1998	Linnebur et al.
D406,722 S	3/1999	Benton et al.

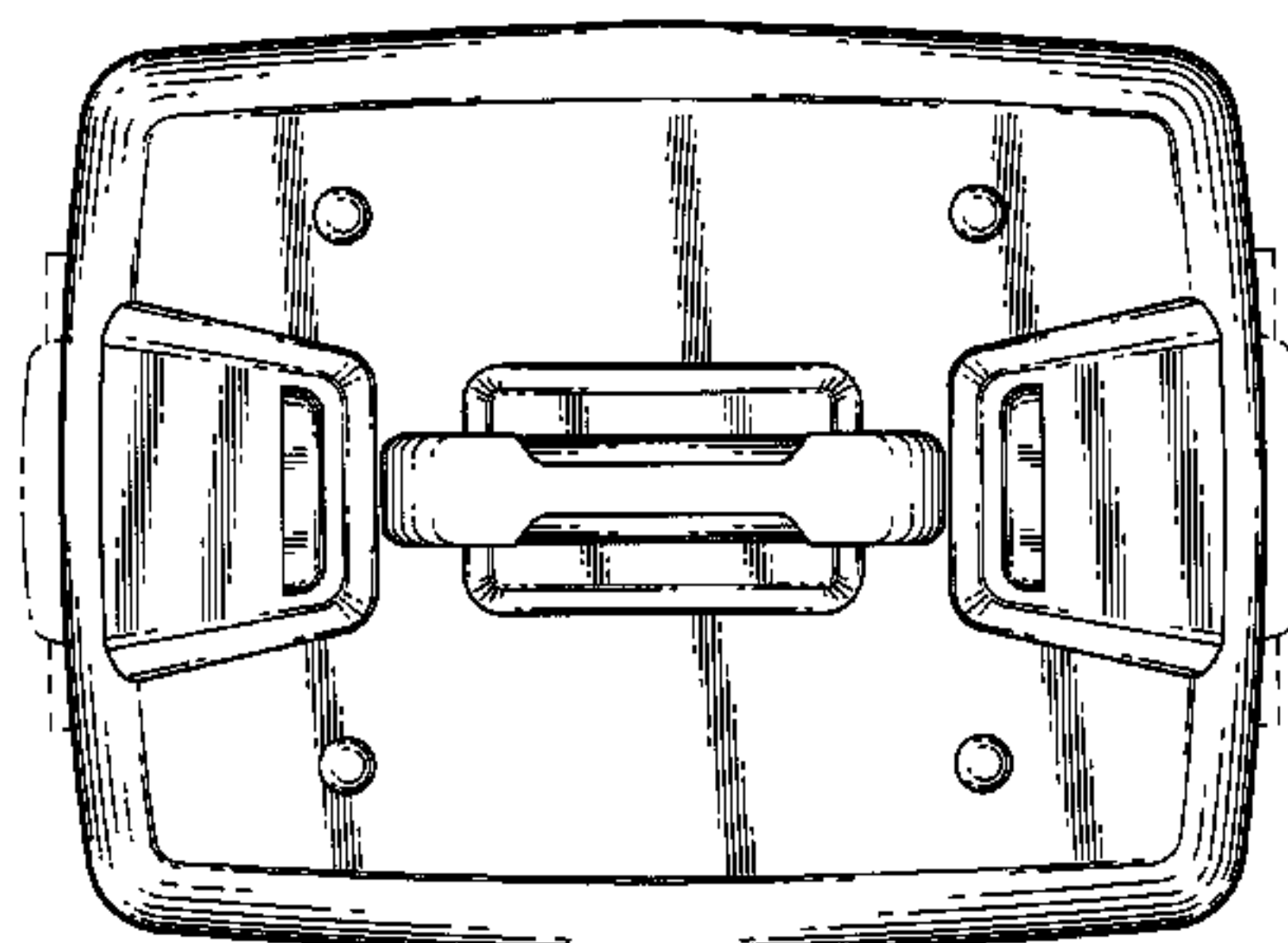
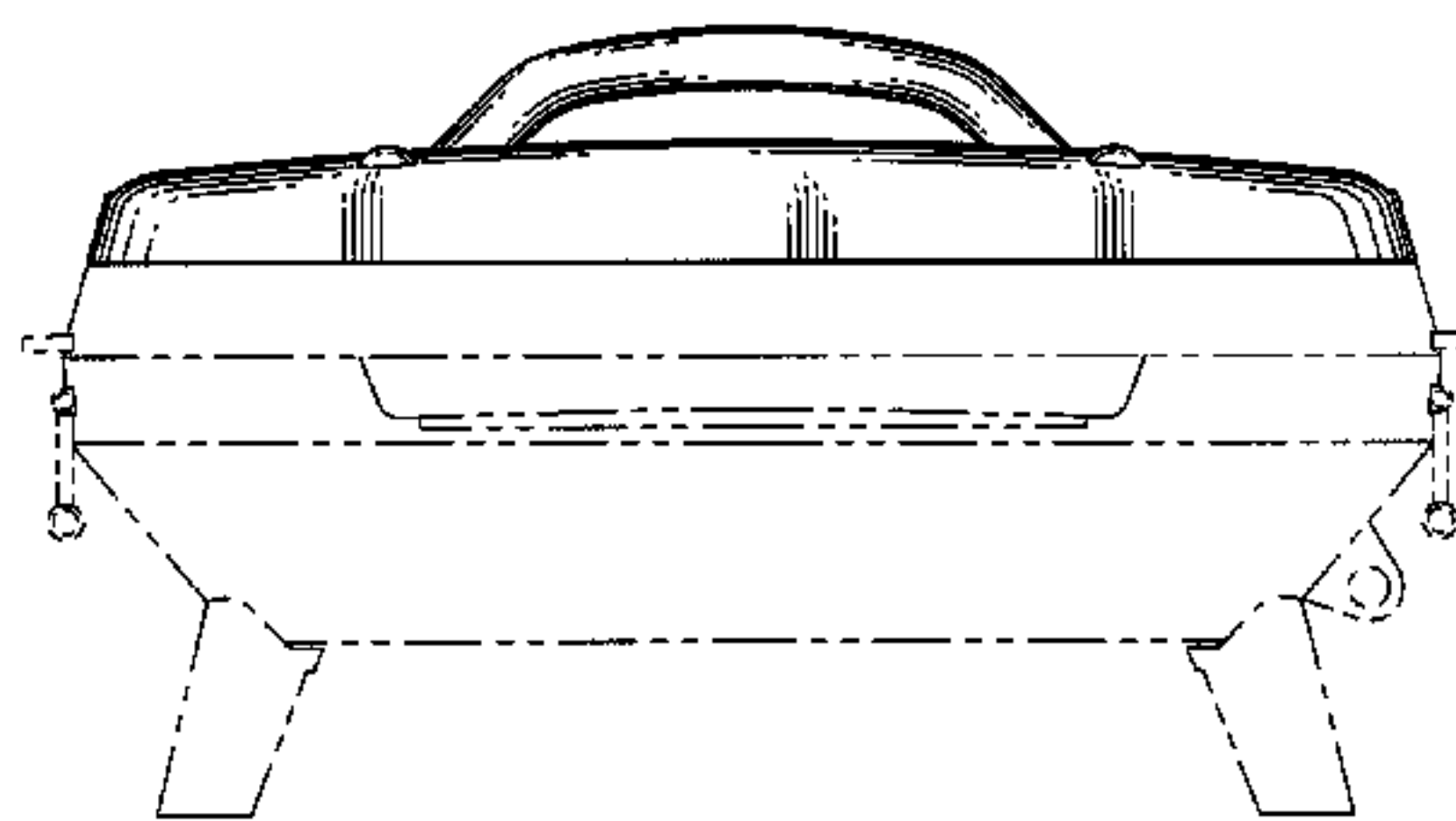
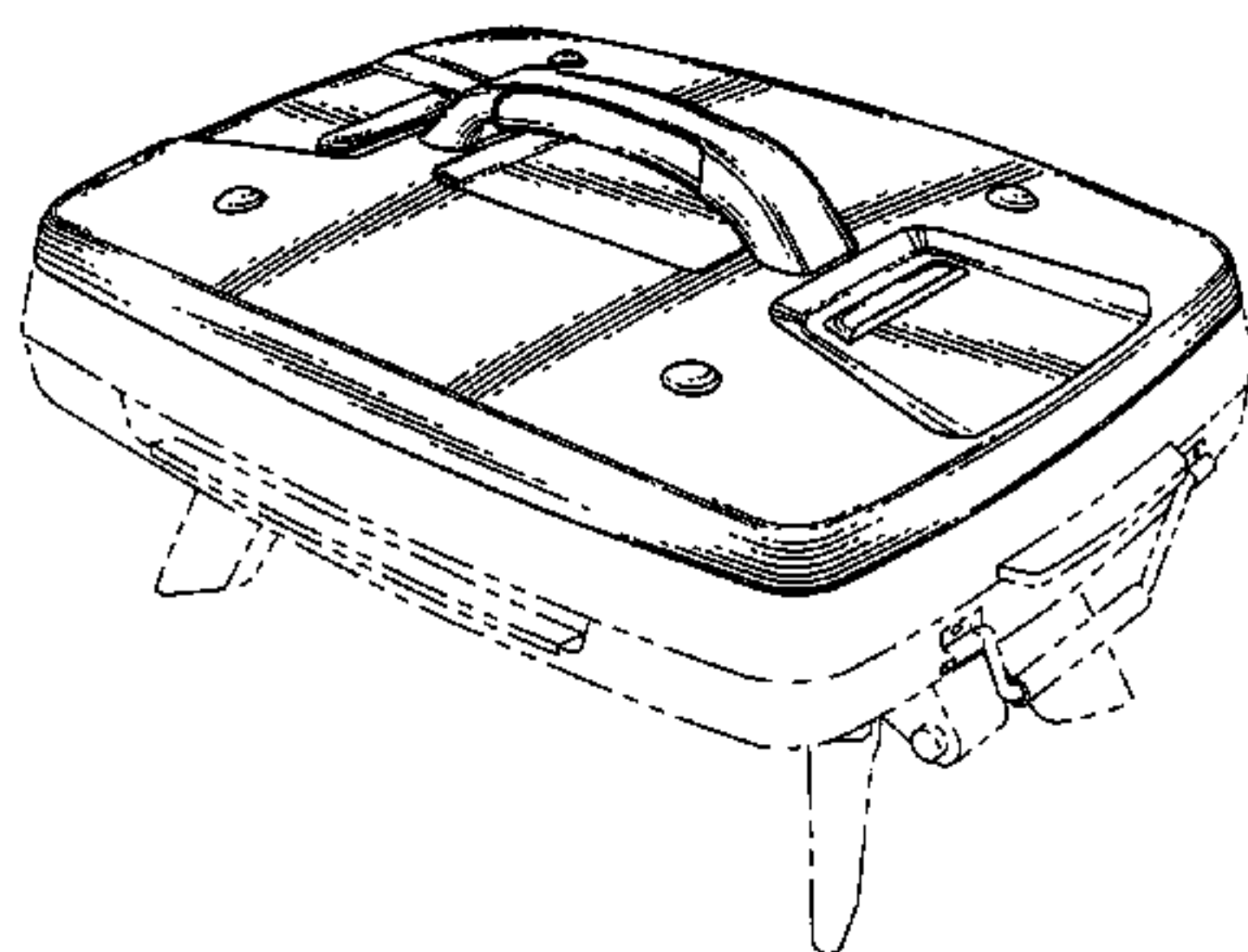


FIG. 1

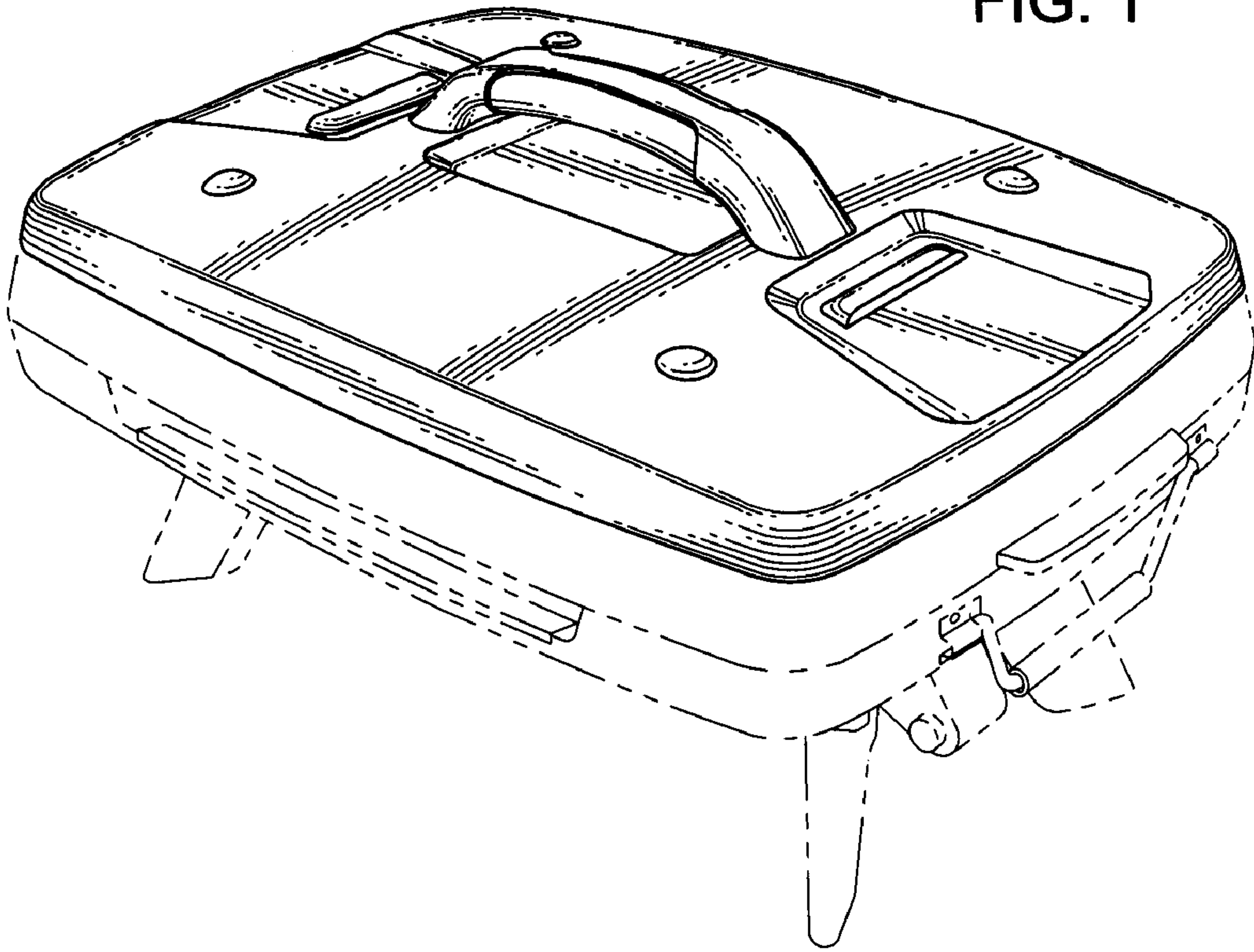


FIG. 2

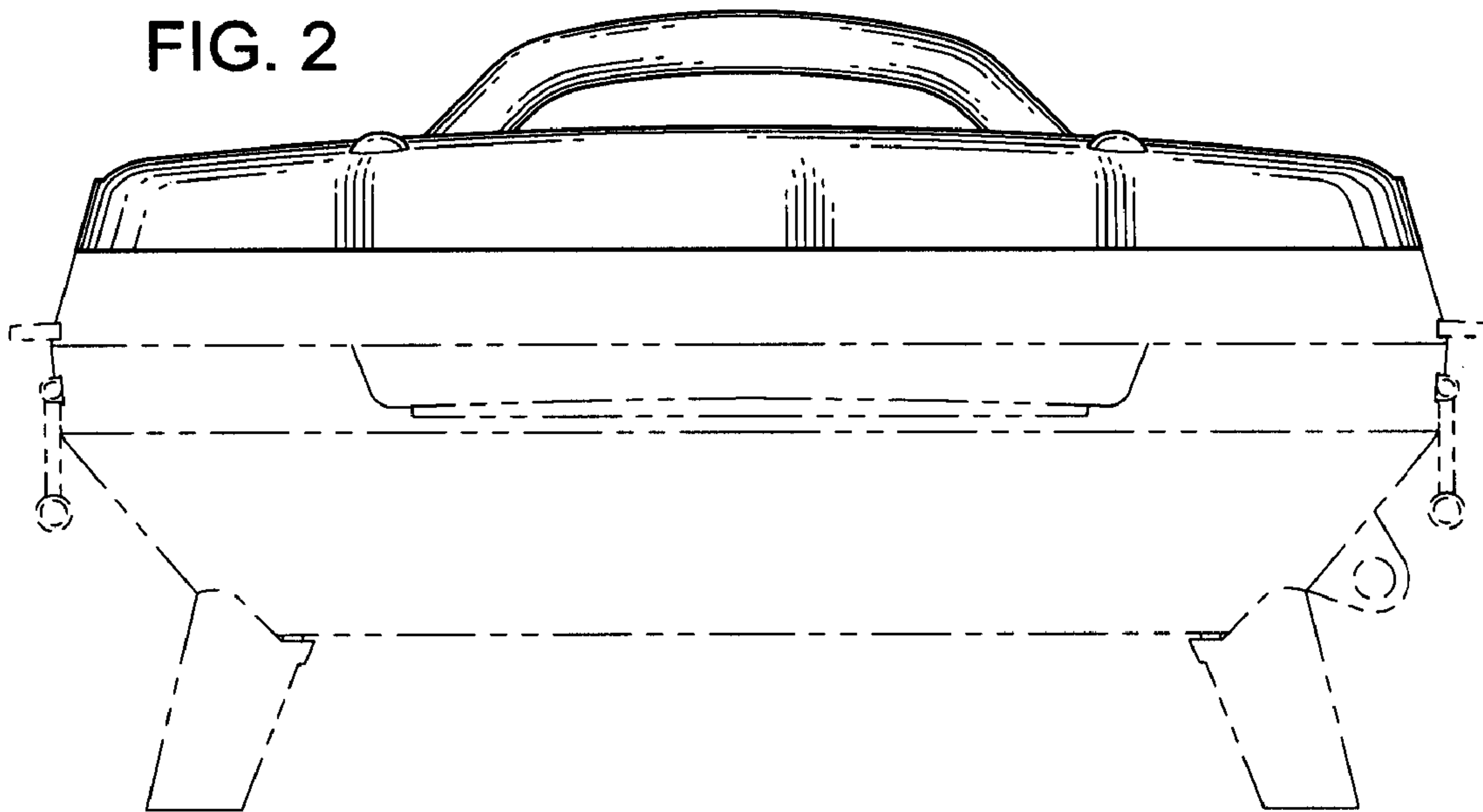


FIG. 3

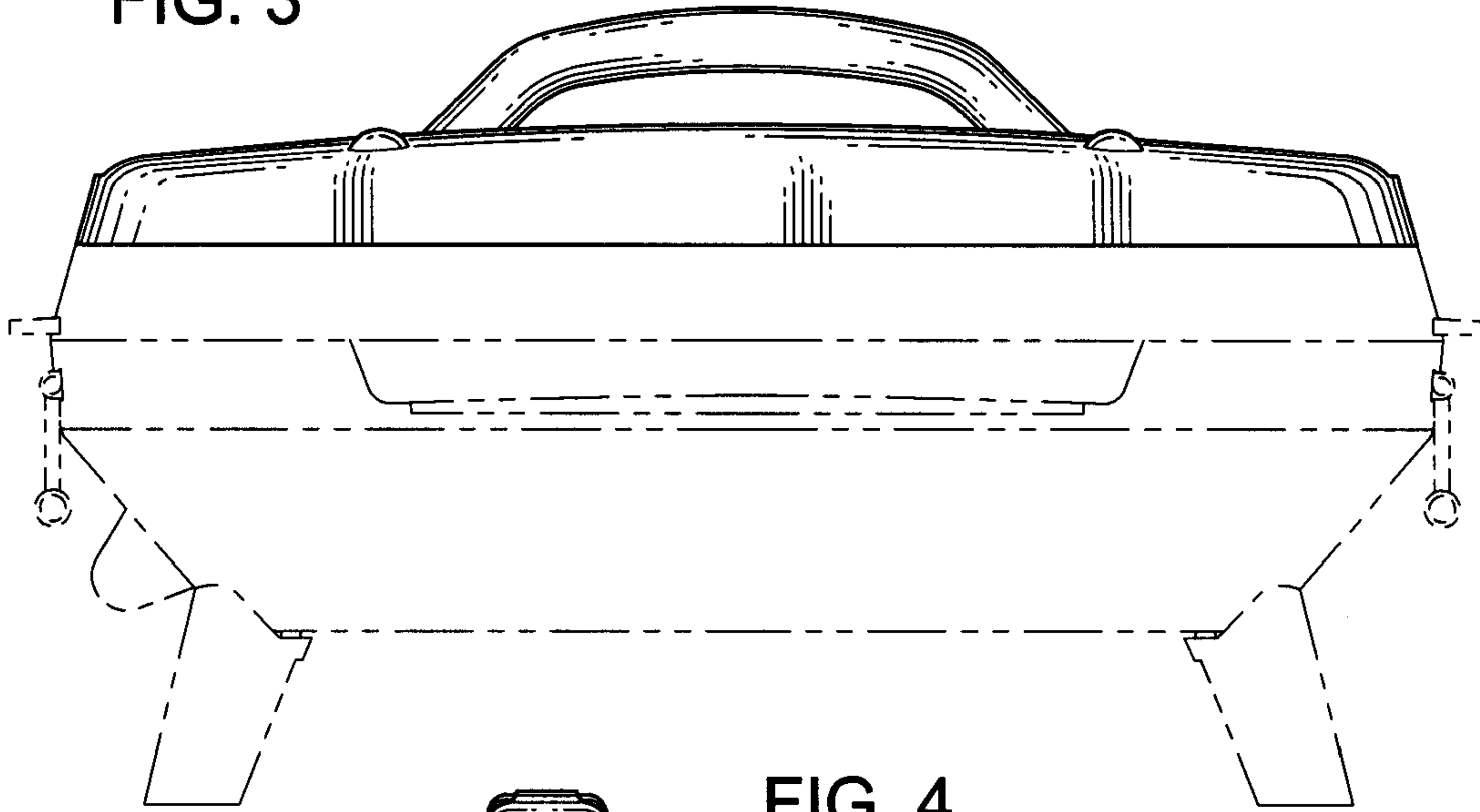


FIG. 4

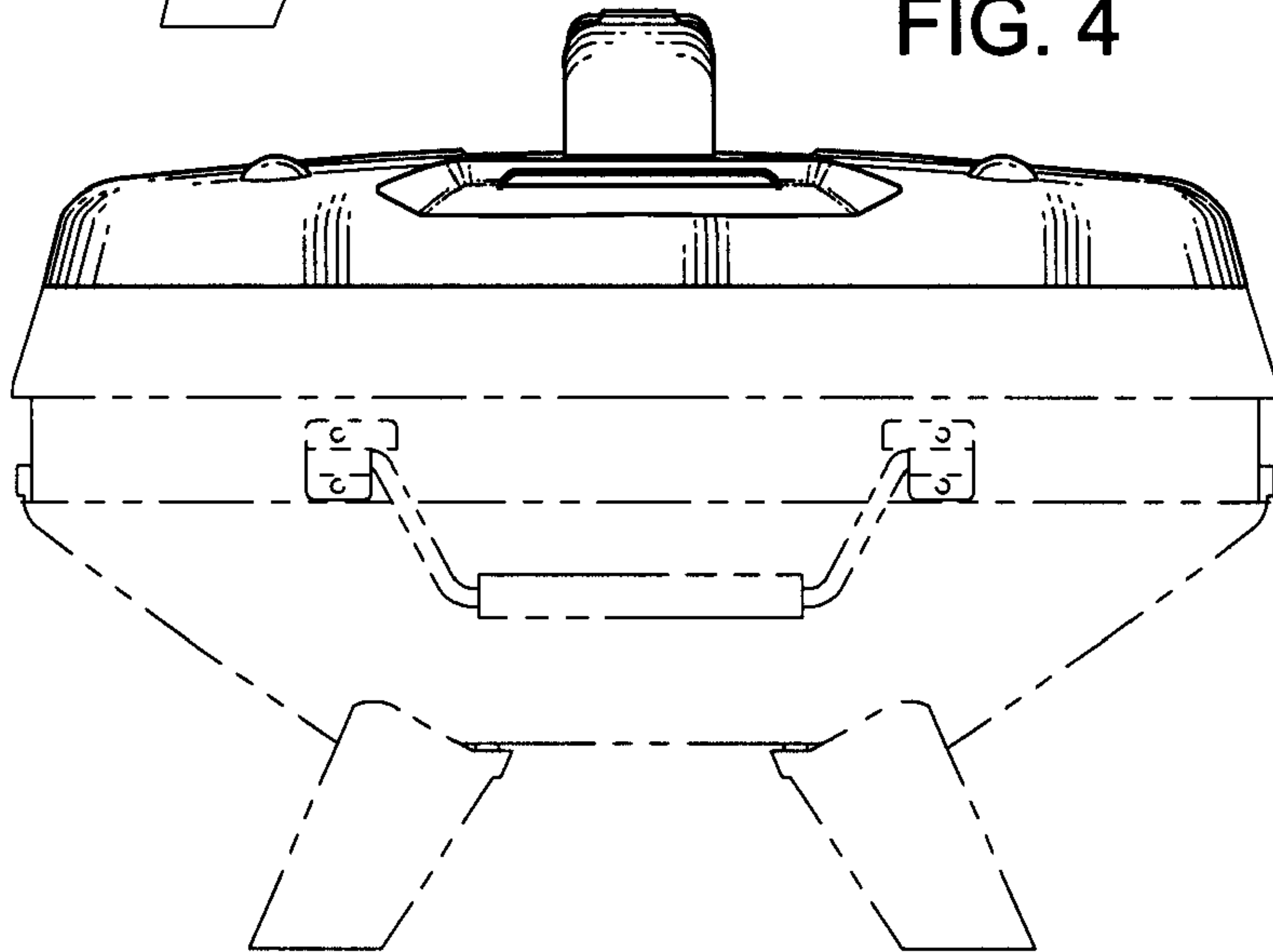


FIG. 5

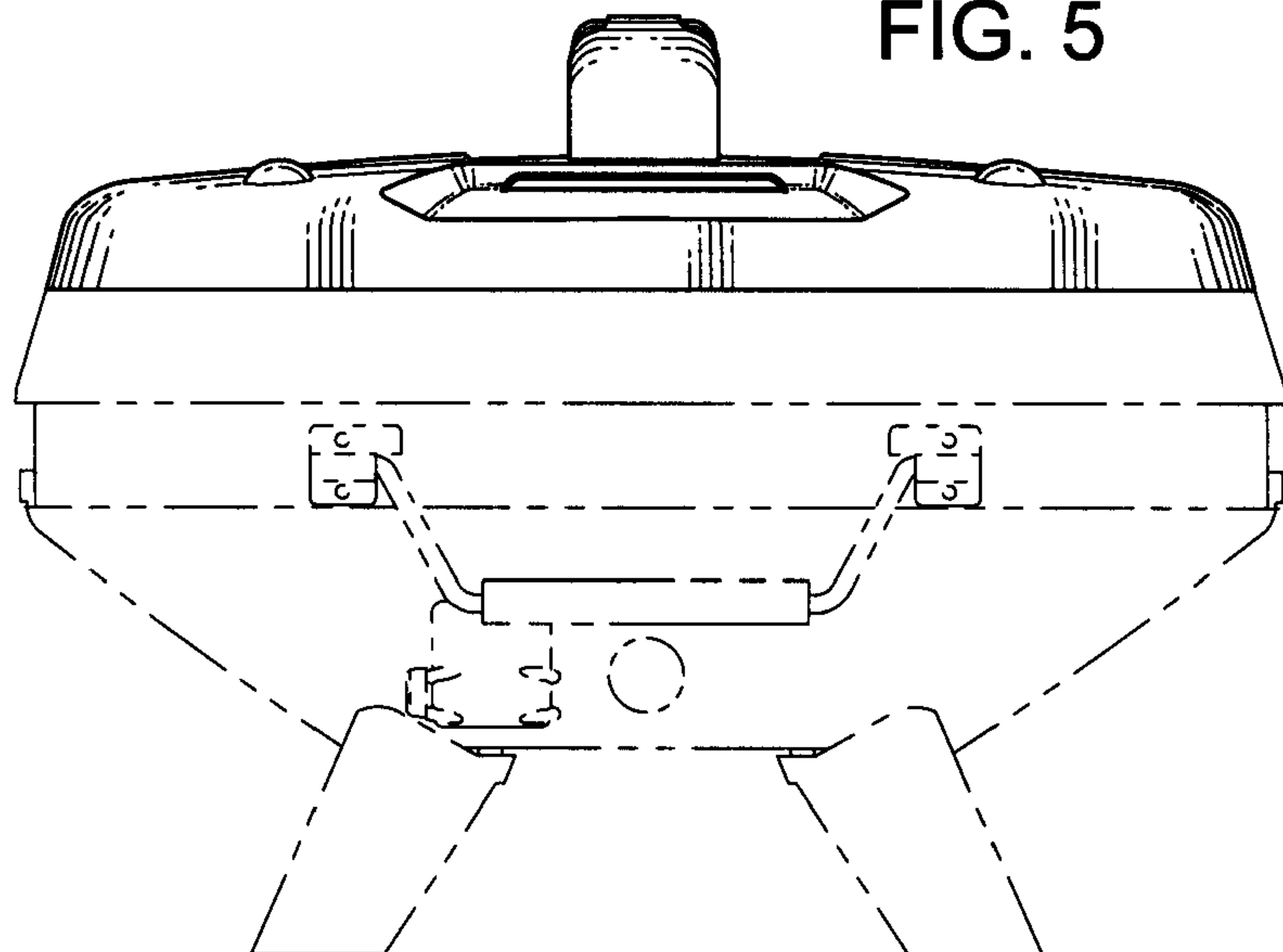


FIG. 6

