



US00D514881S

(12) **United States Design Patent**
Pai

(10) **Patent No.:** **US D514,881 S**

(45) **Date of Patent:** **** Feb. 14, 2006**

(54) **FREESTANDING BARBECUE GRILL CART**

(76) **Inventor:** **Lucas Pai**, No. 124, Yinghua Rd.,
Hsitun Dist., Taichung (TW)

(**) **Term:** **14 Years**

(21) **Appl. No.:** **29/199,559**

(22) **Filed:** **Feb. 16, 2004**

(51) **LOC (8) Cl.** **07-02**

(52) **U.S. Cl.** **D7/402**

(58) **Field of Classification Search** D7/332,
D7/334-337, 402-405, 346, 362-367; 126/25 R,
126/25 A, 25 AA, 40, 41 R, 38-39 R, 50,
126/304 R, 305, 9 R, 19 M, 245; 108/115;
99/450; 219/451.1, 452.11, 455.11, 385,
219/520, 450.1; 248/129, 188.6, 250, 439
See application file for complete search history.

(56) **References Cited**

U.S. PATENT DOCUMENTS

D428,303 S * 7/2000 Wagner et al. D7/403
D451,759 S * 12/2001 Joss et al. D7/402

D460,312 S * 7/2002 Fry et al. D7/334
D460,313 S * 7/2002 Crookshanks et al. D7/334
D462,564 S * 9/2002 Brake et al. D7/334
D488,026 S * 4/2004 Tseng D7/403
D502,357 S * 3/2005 Pai D7/334

* cited by examiner

Primary Examiner—Ruth McInroy

(74) *Attorney, Agent, or Firm*—Jackson Walker, LLP

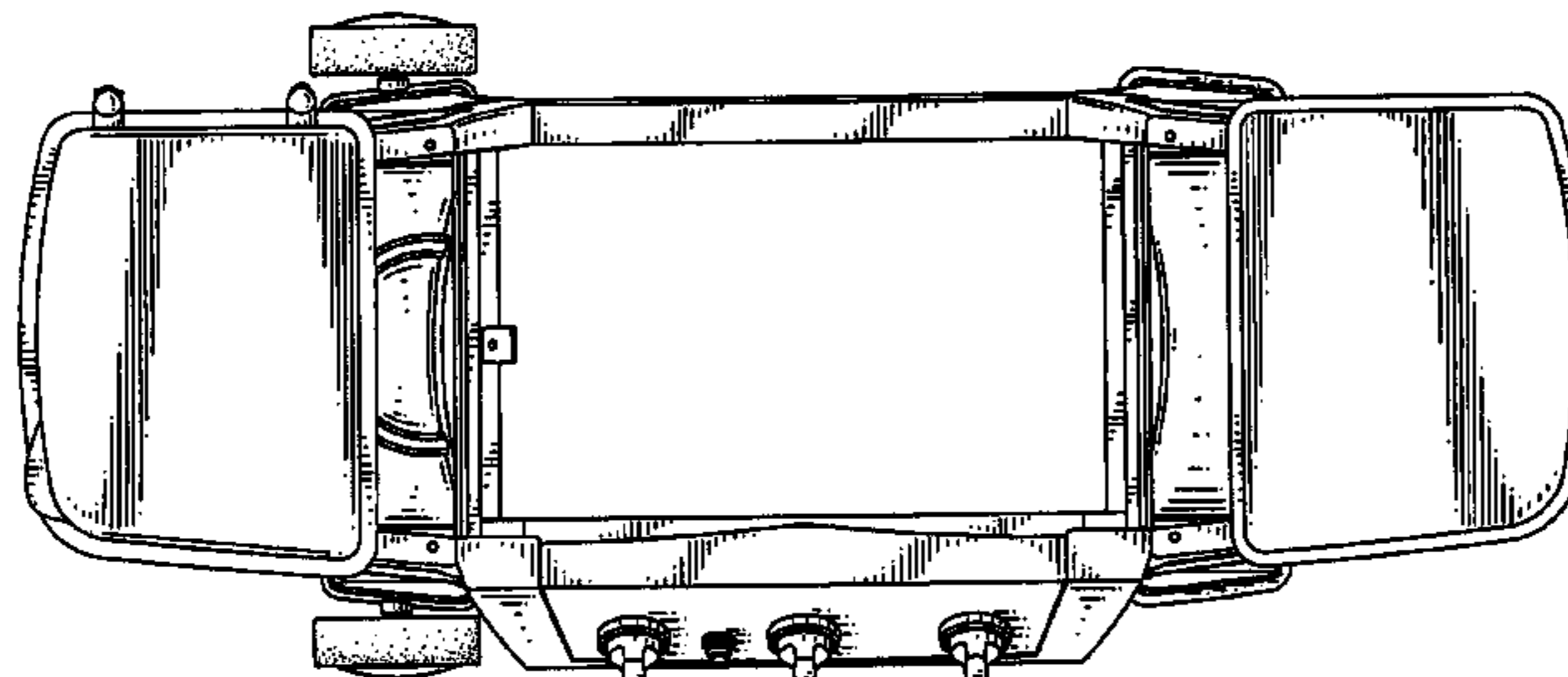
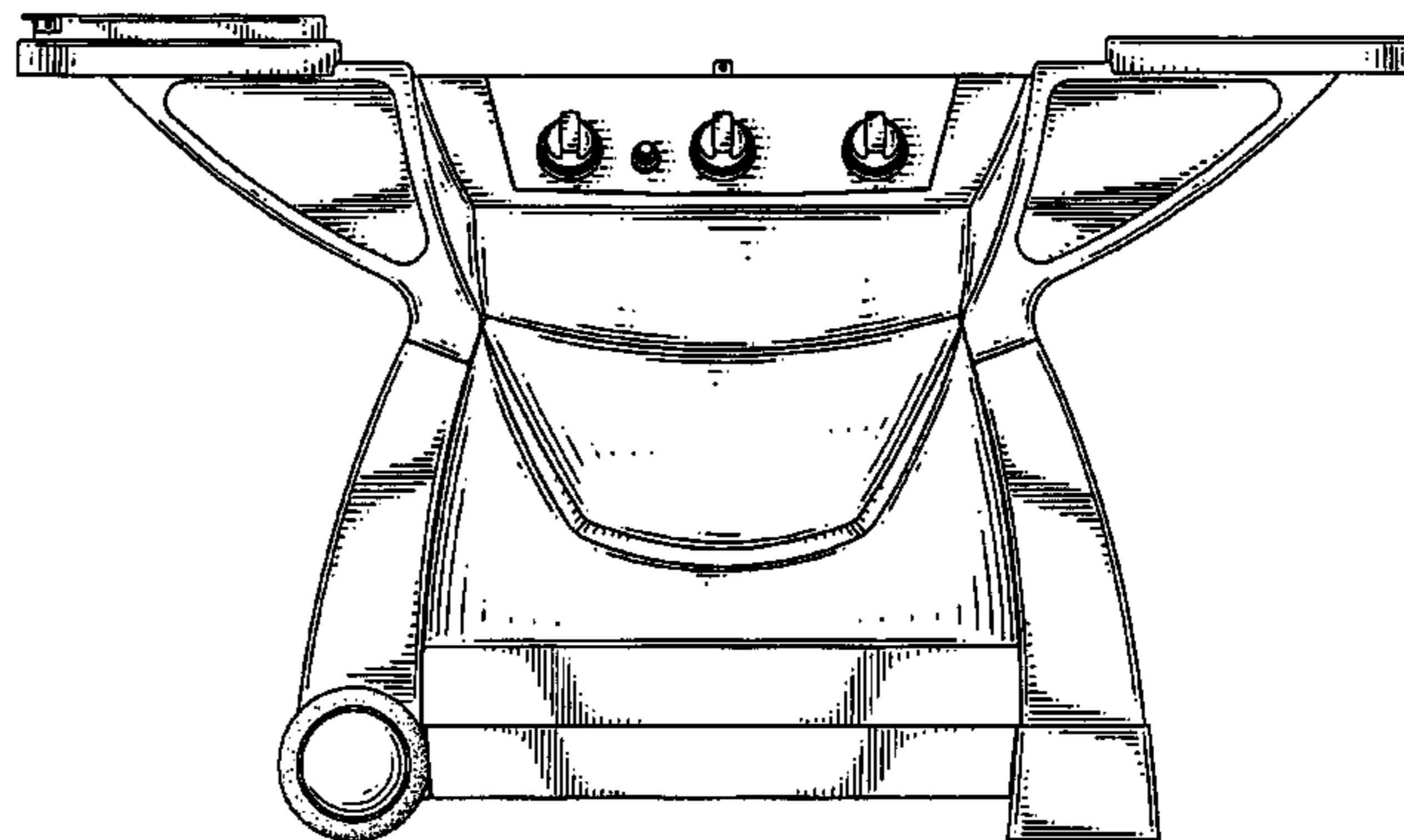
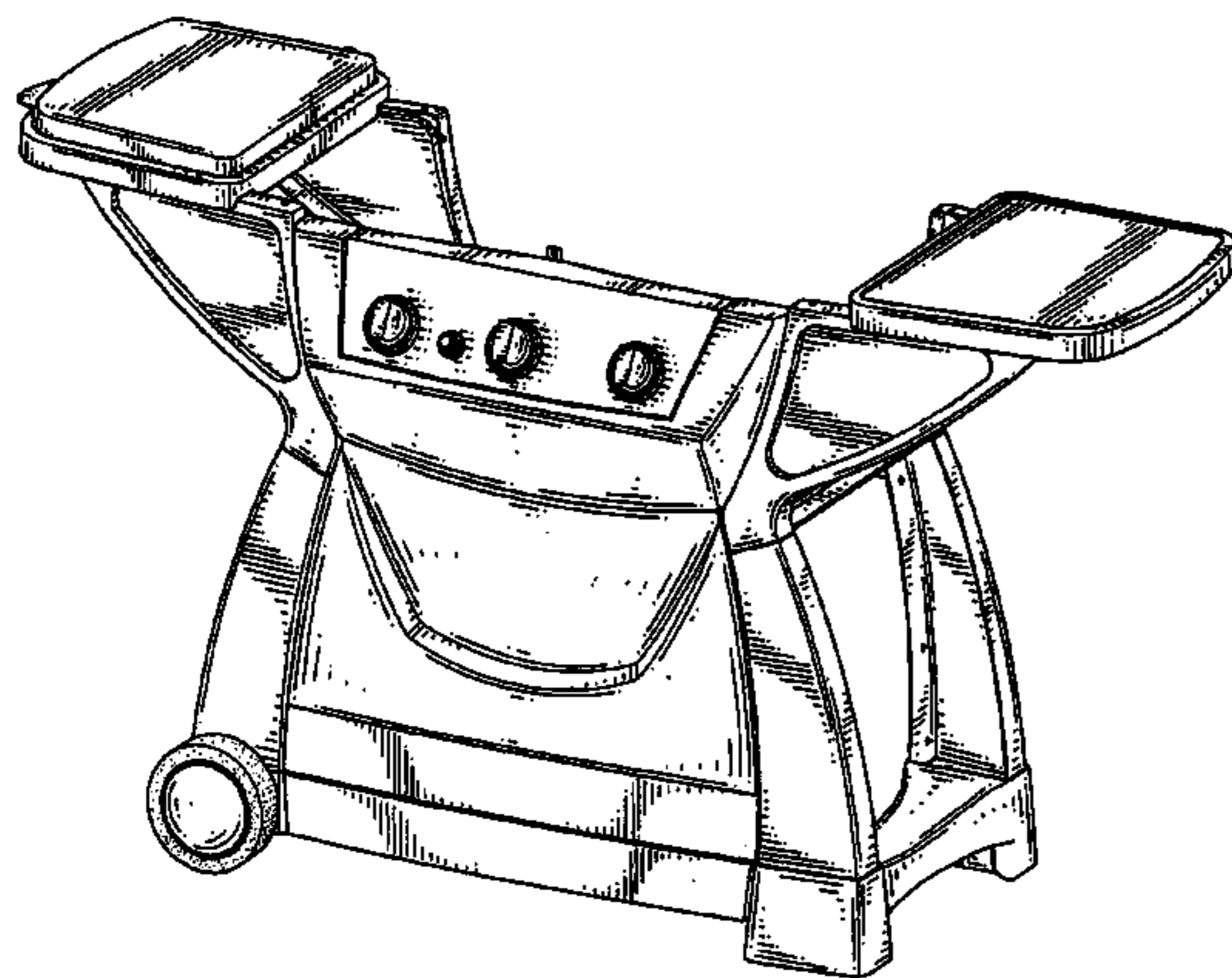
(57) **CLAIM**

The ornamental design for a freestanding barbecue grill cart,
as shown.

DESCRIPTION

FIG. 1 is a perspective view of a freestanding barbecue grill cart, showing my new design;
FIG. 2 is a front elevational view thereof;
FIG. 3 is a rear elevational view thereof;
FIG. 4 is a left side elevational view thereof;
FIG. 5 is a right side elevational view thereof;
FIG. 6 is a top plan view thereof; and,
FIG. 7 is a bottom plan view thereof.

1 Claim, 6 Drawing Sheets



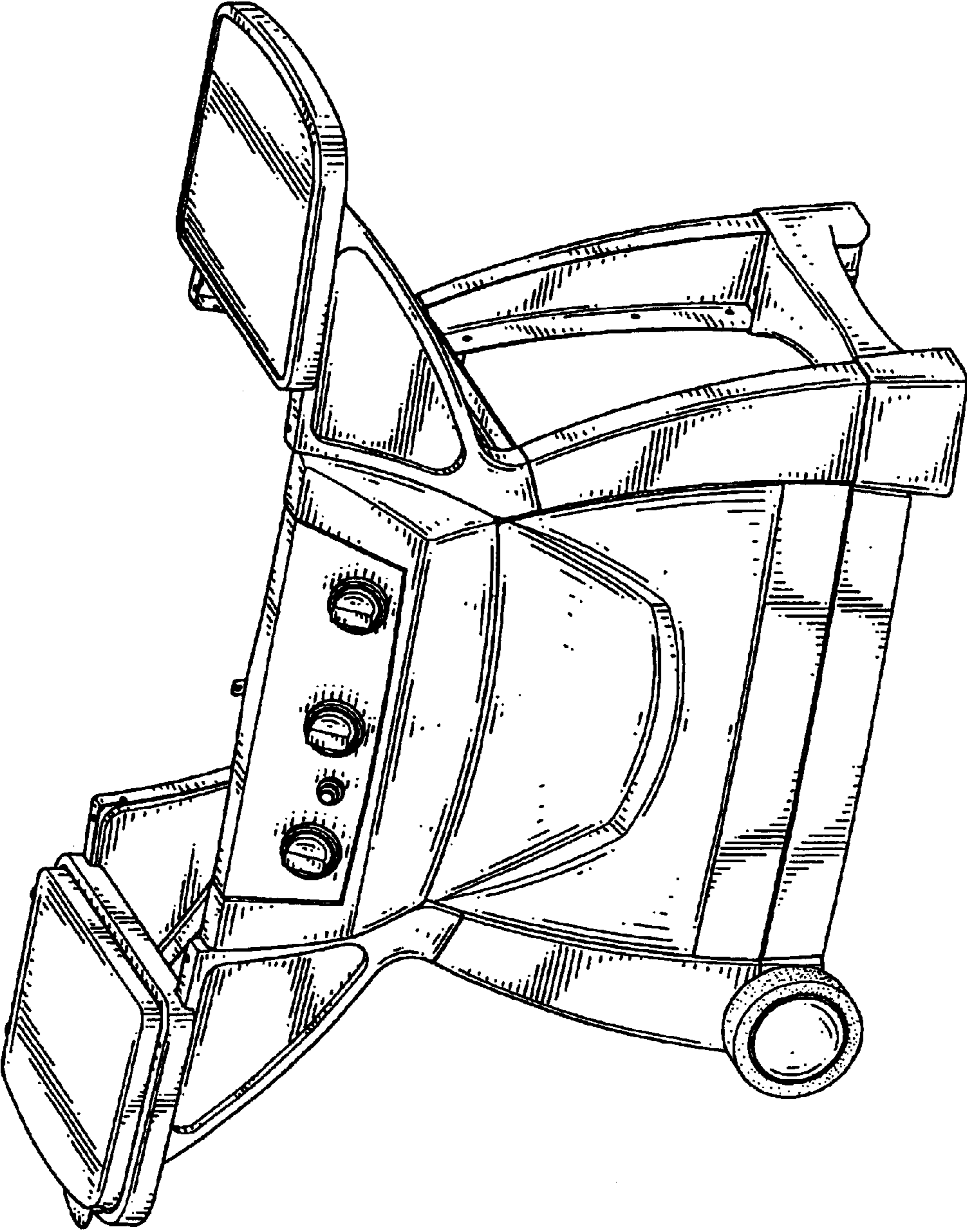


FIG.1

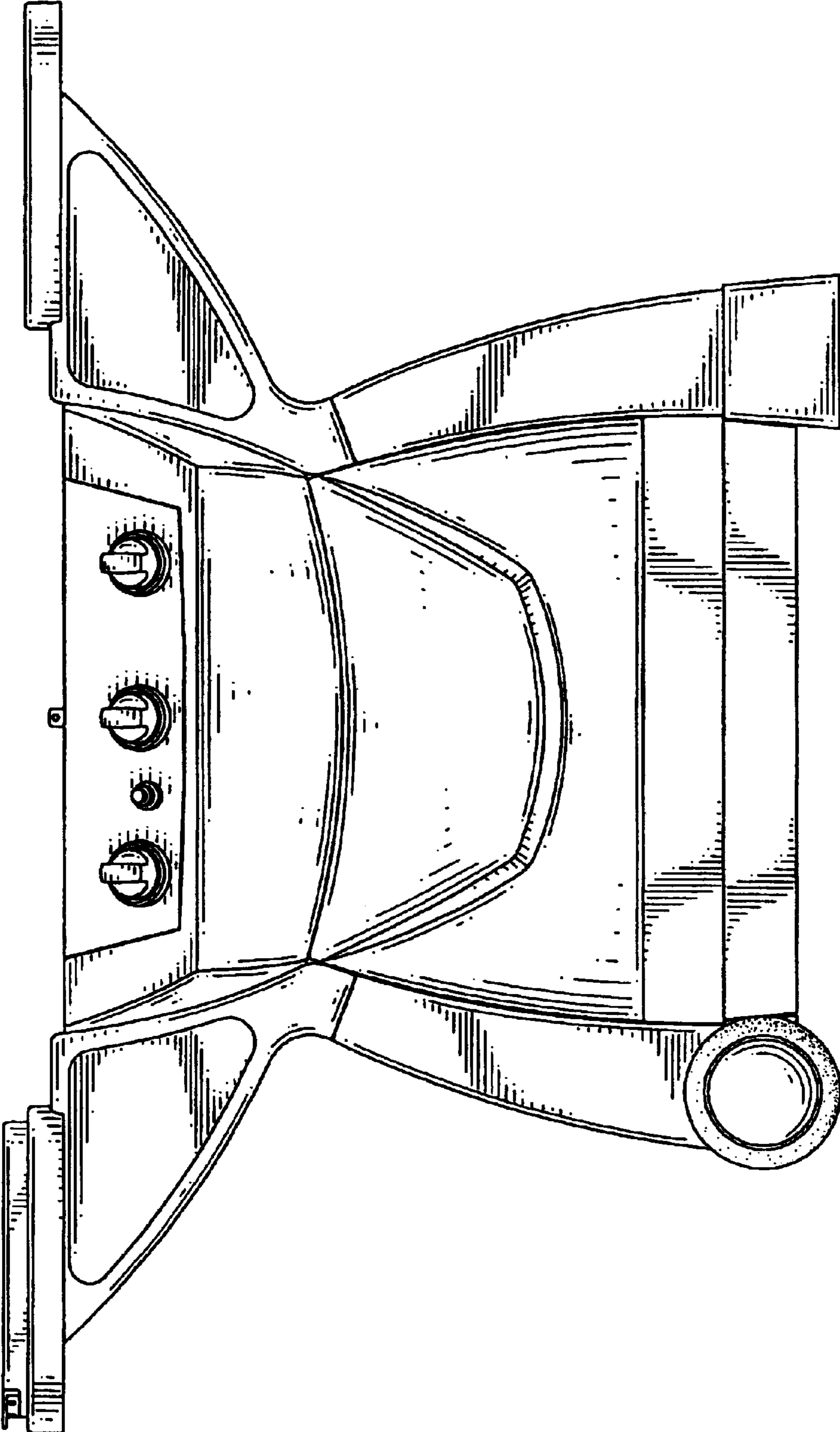


FIG.2

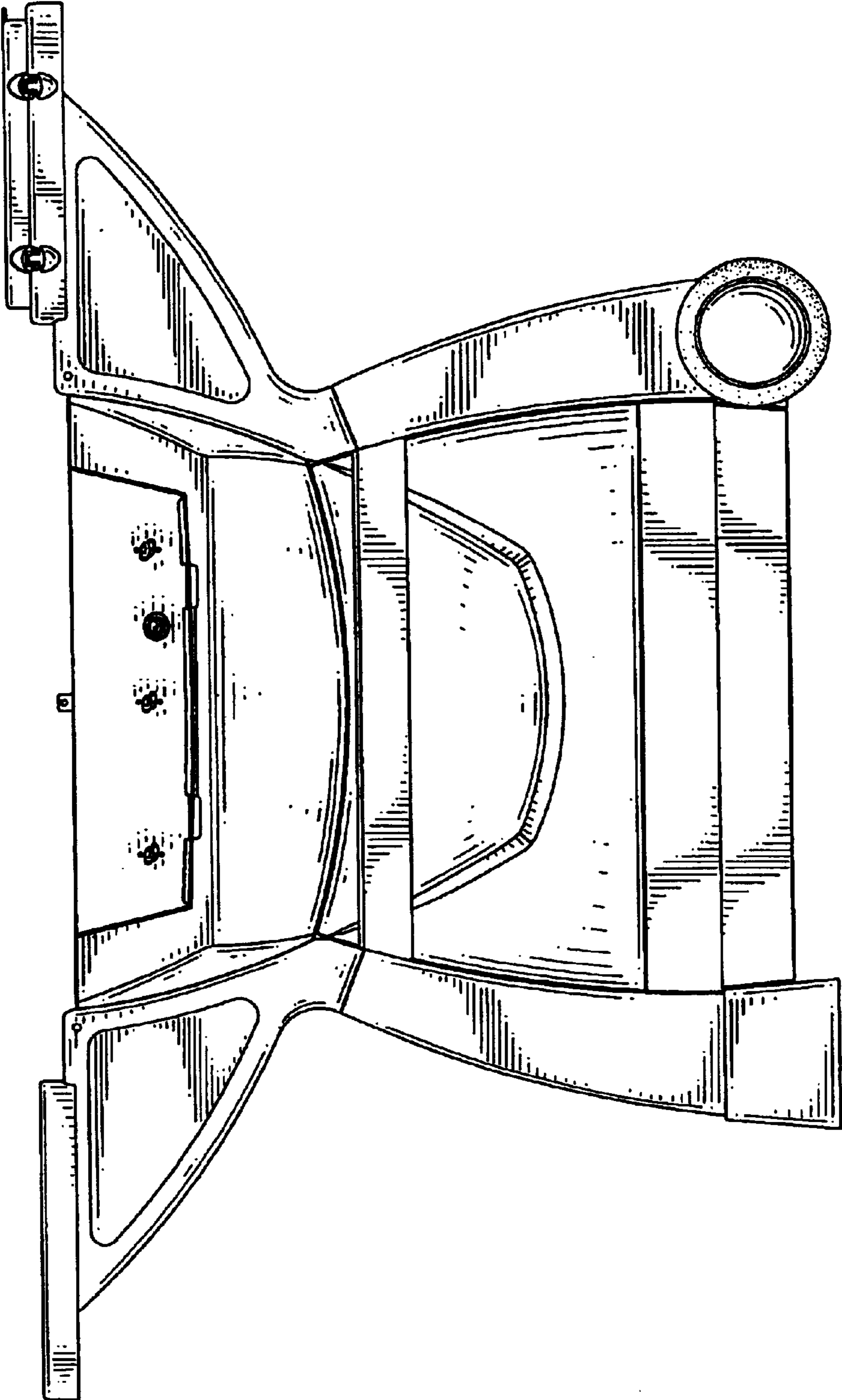


FIG.3

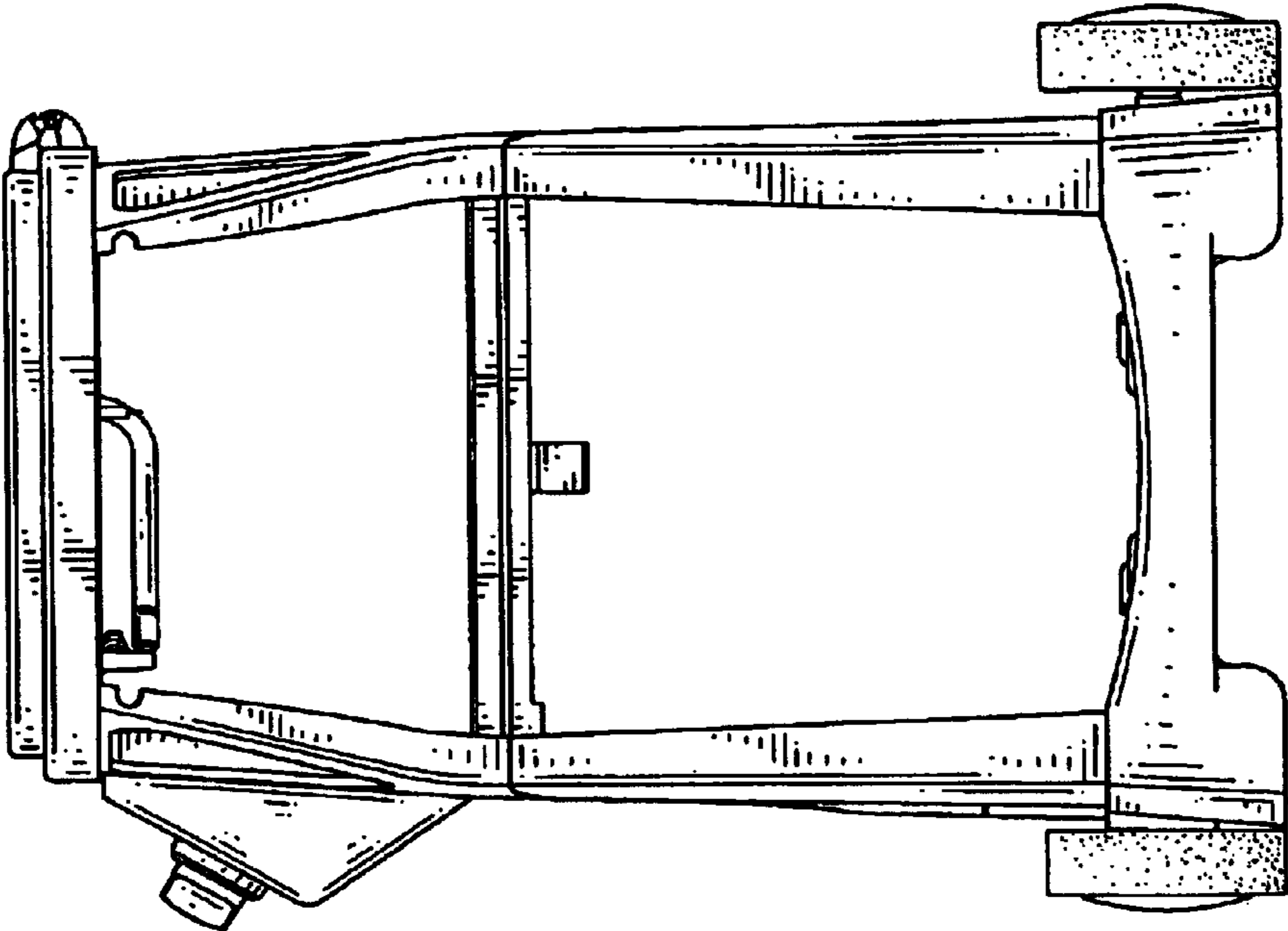


FIG.5

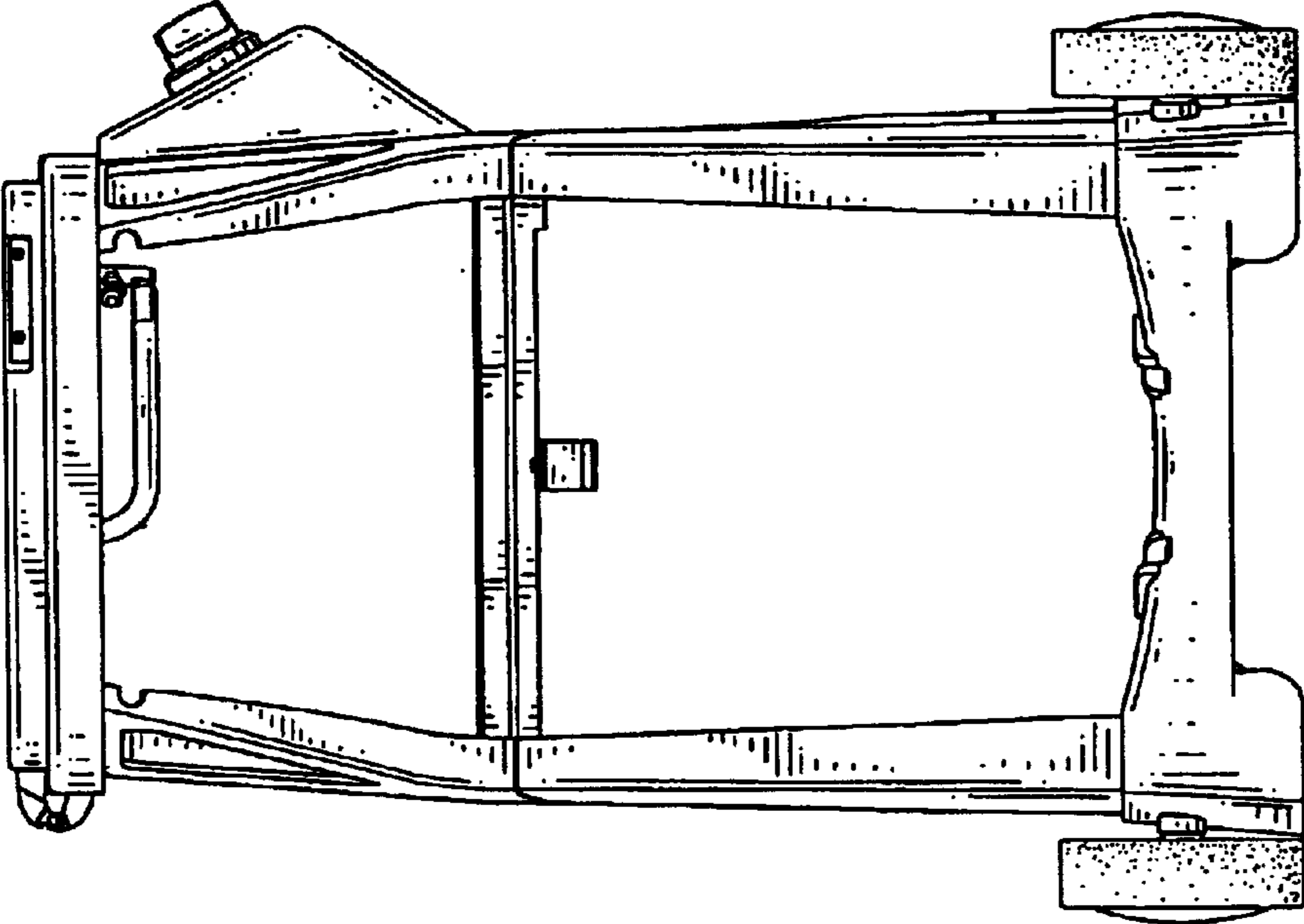


FIG.4

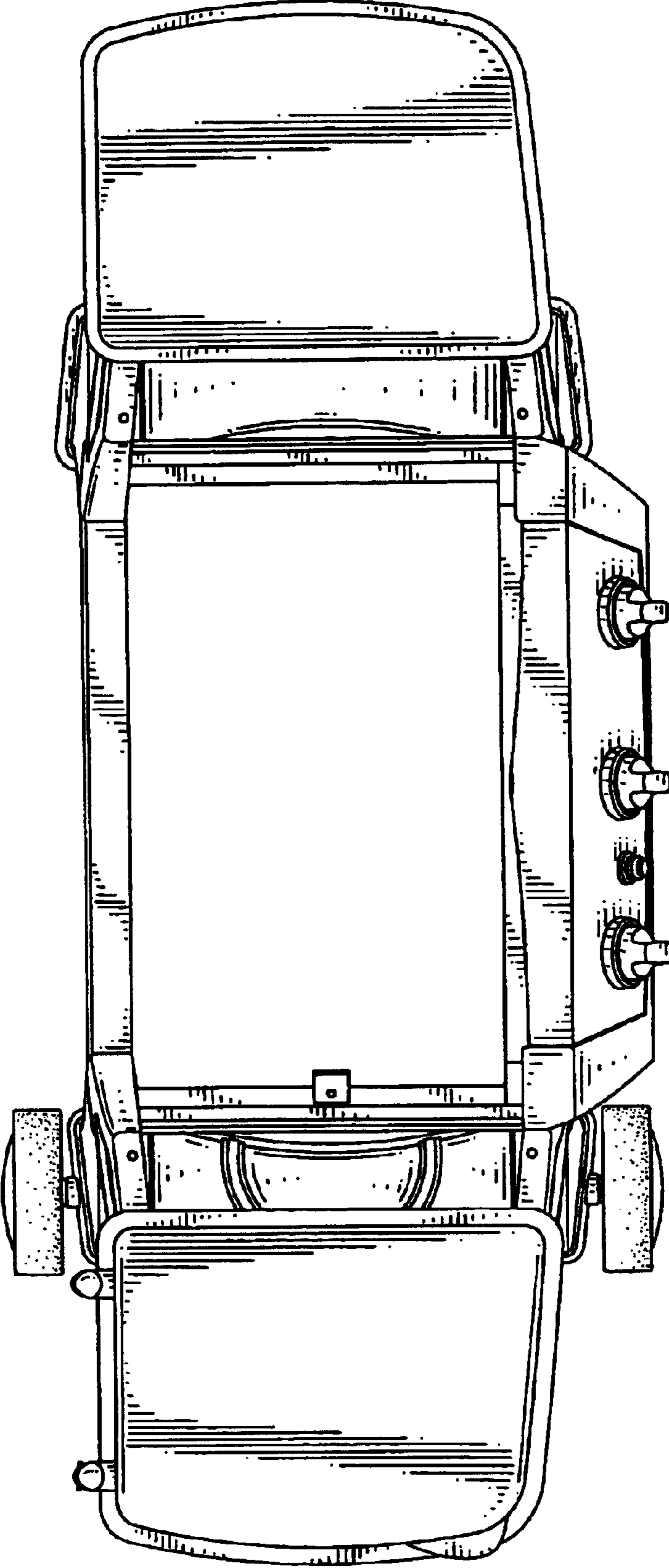


FIG.6

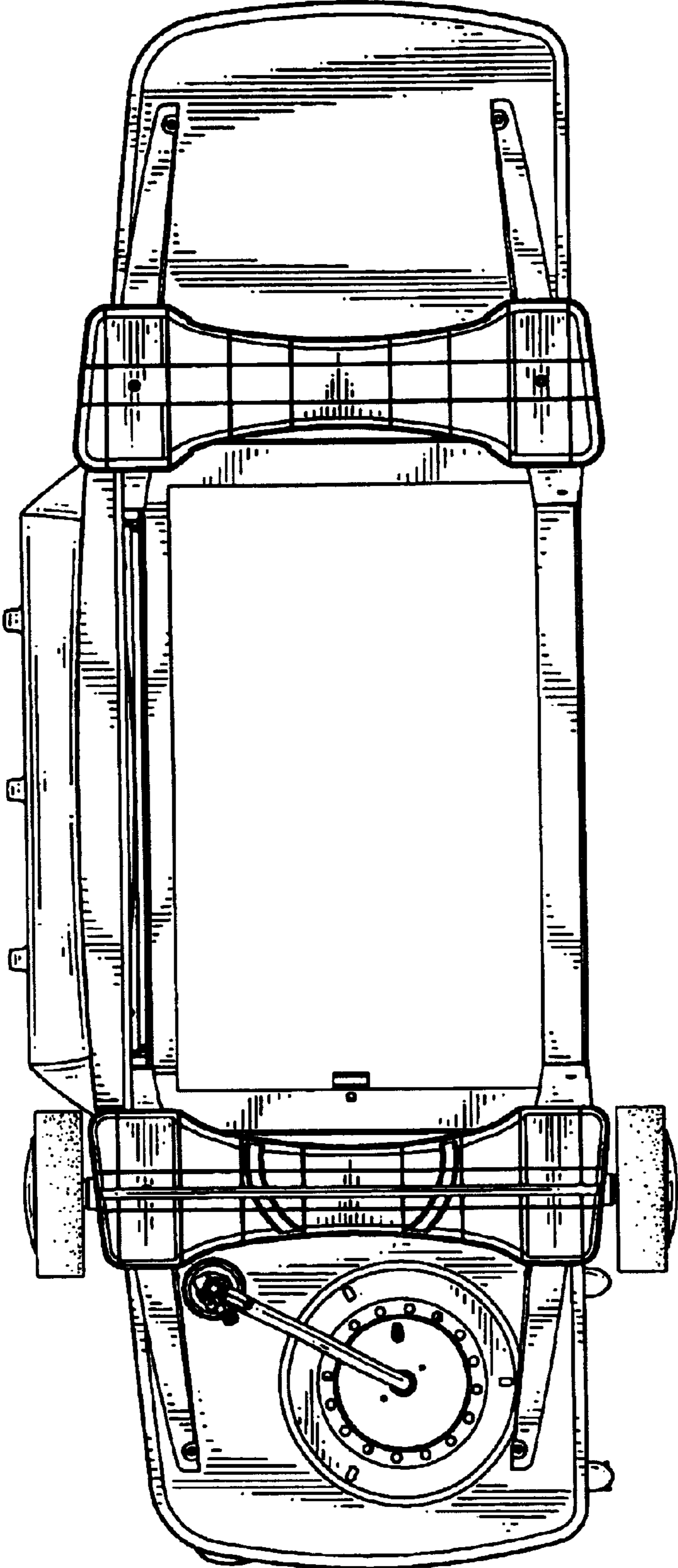


FIG.7