



US00D514877S

(12) **United States Design Patent**
Tetreault

(10) **Patent No.:** **US D514,877 S**

(45) **Date of Patent:** **** Feb. 14, 2006**

(54) **COOKWARE COVER**

(75) Inventor: **Joel Tetreault**, Perrysburg, OH (US)

(73) Assignee: **Calphalon Corporation**, Freeport, IL (US)

(**) Term: **14 Years**

(21) Appl. No.: **29/202,891**

(22) Filed: **Apr. 7, 2004**

(51) **LOC (8) Cl.** **07-02**

(52) **U.S. Cl.** **D7/391**

(58) **Field of Classification Search** D7/323,
D7/354-361, 391, 392.1, 538-542; 220/573.1-574,
220/200, 212.5, 376, 731, 912, 625
See application file for complete search history.

(56) **References Cited**

U.S. PATENT DOCUMENTS

D324,624 S	*	3/1992	Gerlach	D7/361
D416,437 S	*	11/1999	Cheng	D7/391
D473,101 S	*	4/2003	Burton et al.	D7/391
D475,886 S	*	6/2003	Burton et al.	D7/391
D480,598 S	*	10/2003	Teisen-Simony et al.	D7/391
D481,585 S	*	11/2003	Logiudice	D7/391

OTHER PUBLICATIONS

Nonstick Chef's Casserole. Cooking.com online catalog. Calphalon, 2005 [retrieved on May 26, 2005]. Retrieved from the Internet: <URL: www.cooking.com/products/Sk-

uPopUp.asp?Sku=215578&x=106&y=153>.*

Japanese Patent Office; Design Division Published Document Number HC01042194, Jun. 20, 1989.

* cited by examiner

Primary Examiner—Joel A. Sincavage

Assistant Examiner—Vy Nguyen

(74) *Attorney, Agent, or Firm*—Foley & Lardner LLP

(57) **CLAIM**

The ornamental design for a cookware cover, as shown and described.

DESCRIPTION

FIG. 1 is a perspective top, front and right side view of the cookware cover showing the new design;

FIG. 2 is a front view of the cookware cover of FIG. 1,

FIG. 3 is a rear view of the cookware cover of FIG. 1;

FIG. 4 is a right side view of the cookware cover of FIG. 1, the left side view being identical;

FIG. 5 is a top plan view of the cookware cover of FIG. 1; and,

FIG. 6 is a bottom plan view of the cookware cover of FIG. 1.

The ornamental design which is claimed is shown in solid lines in the drawings. The broken lines in the drawings are for illustrative purposes only and form no part of the claimed design.

1 Claim, 5 Drawing Sheets

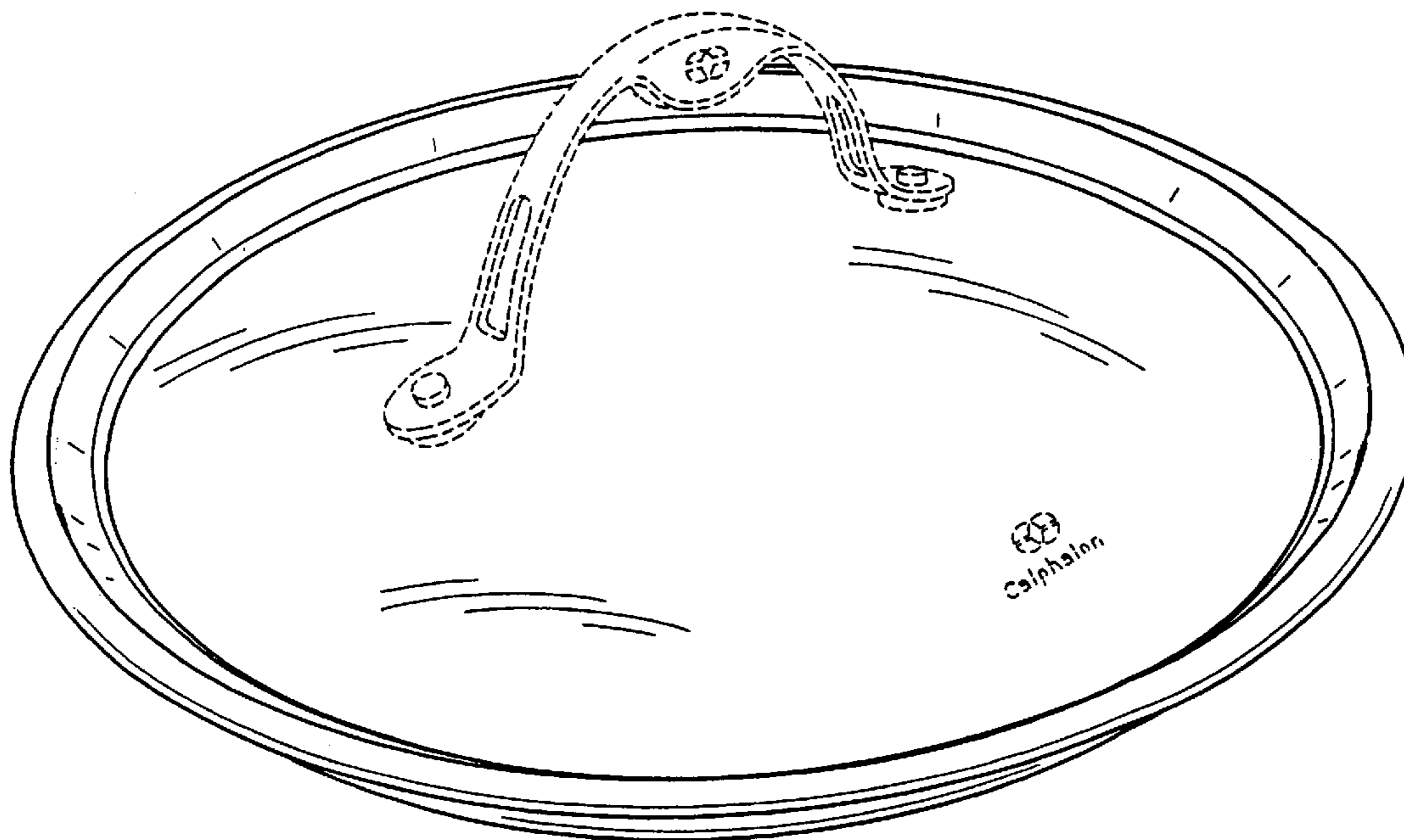


FIG. 1

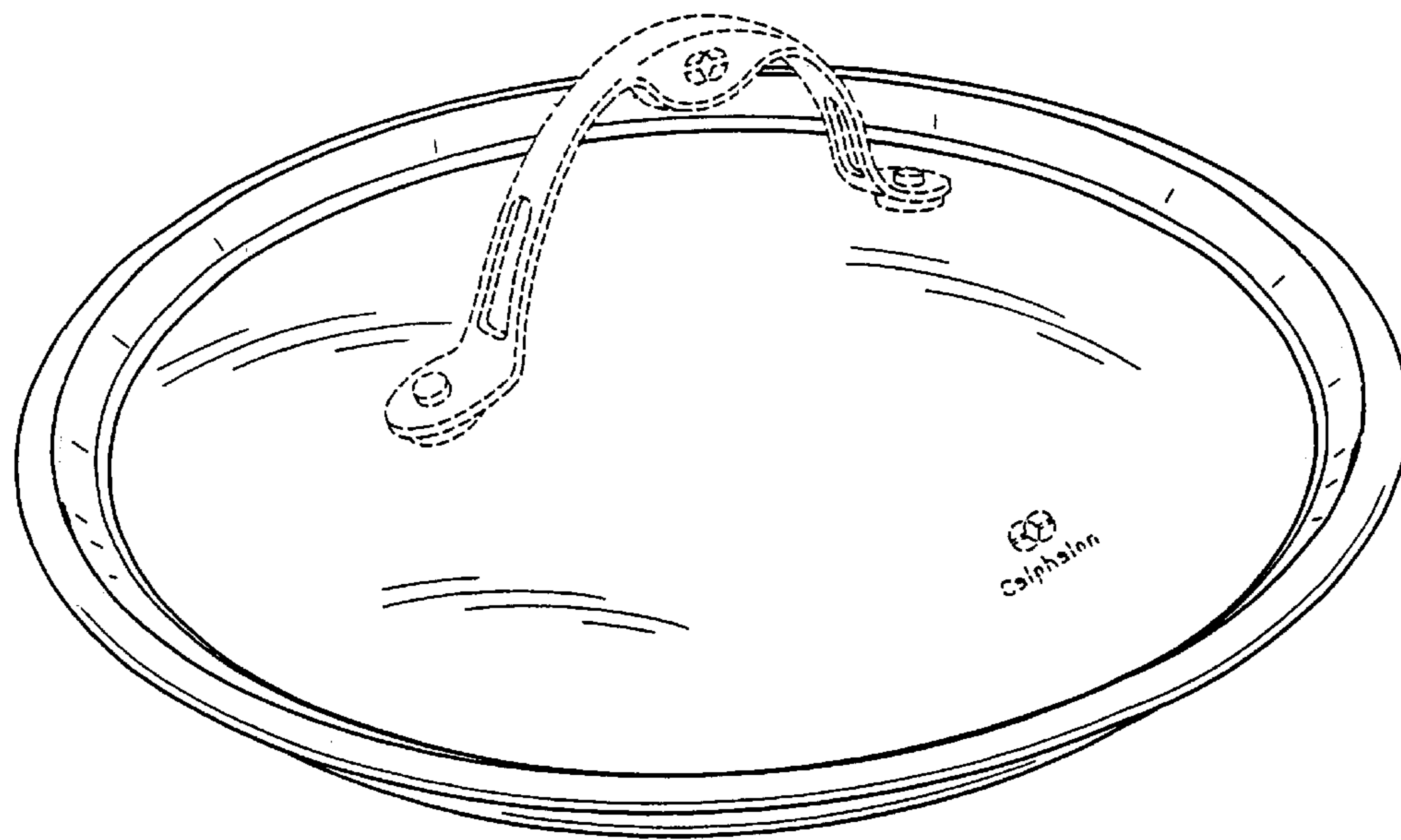


FIG. 2

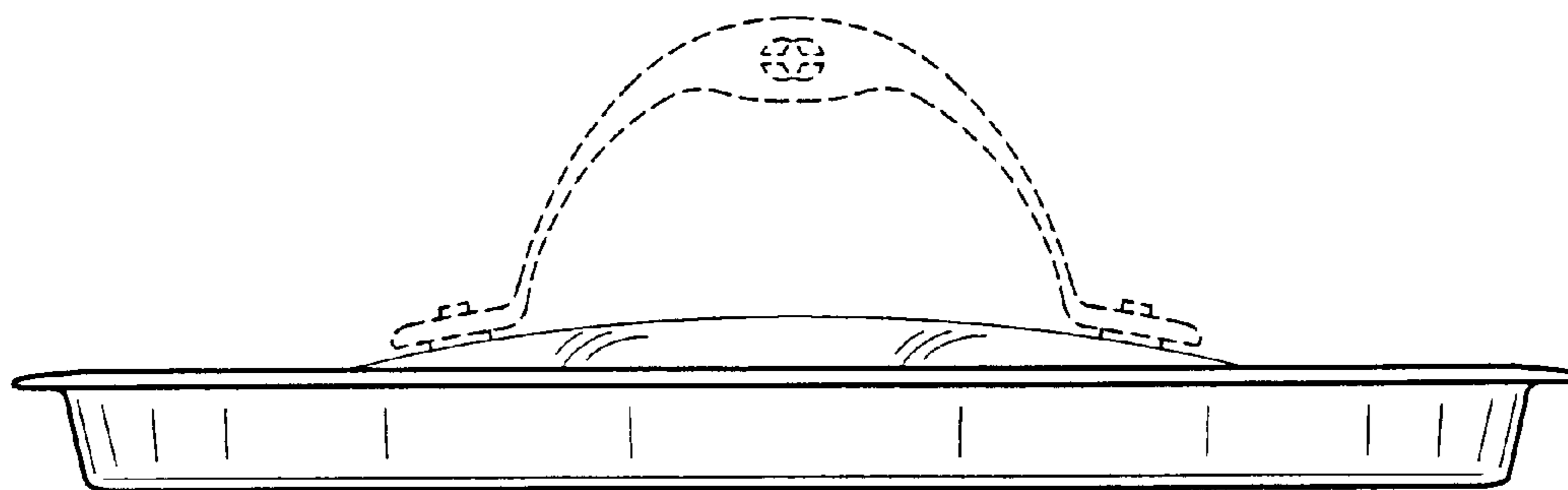


FIG. 3

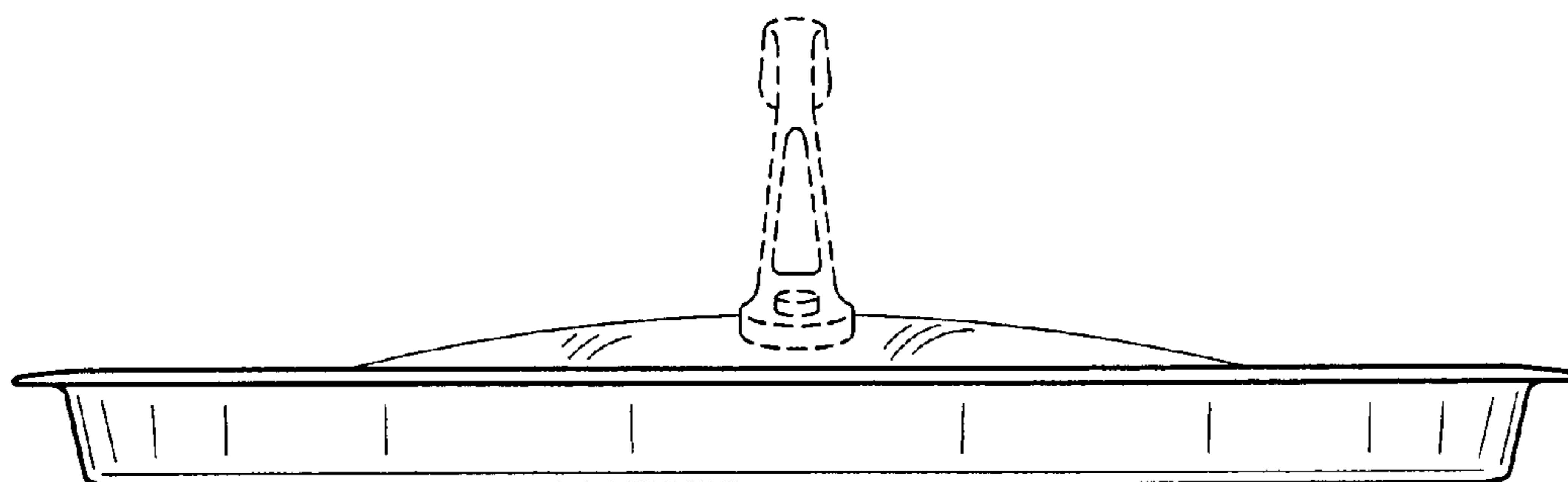


FIG. 4

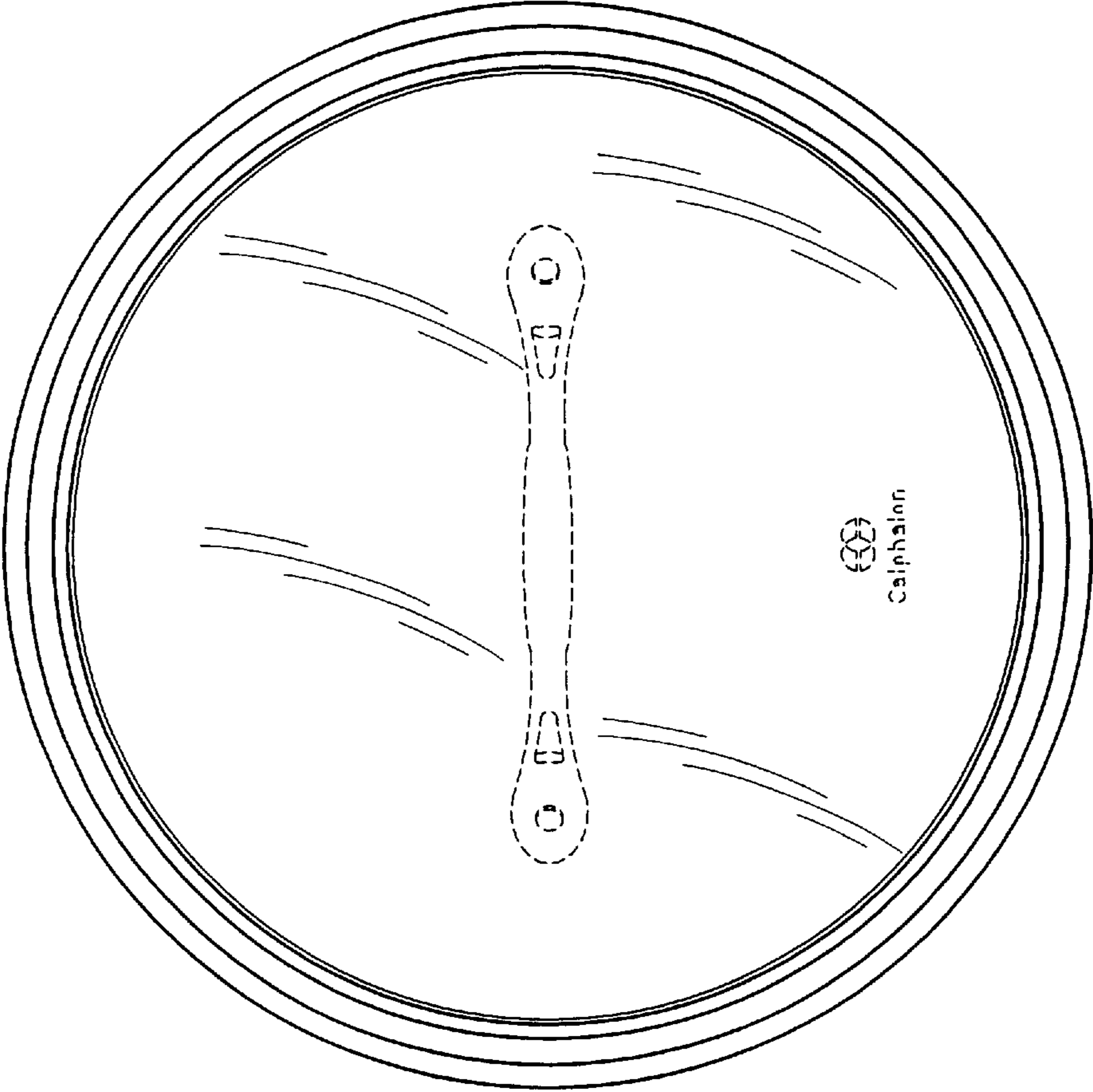


FIG. 5

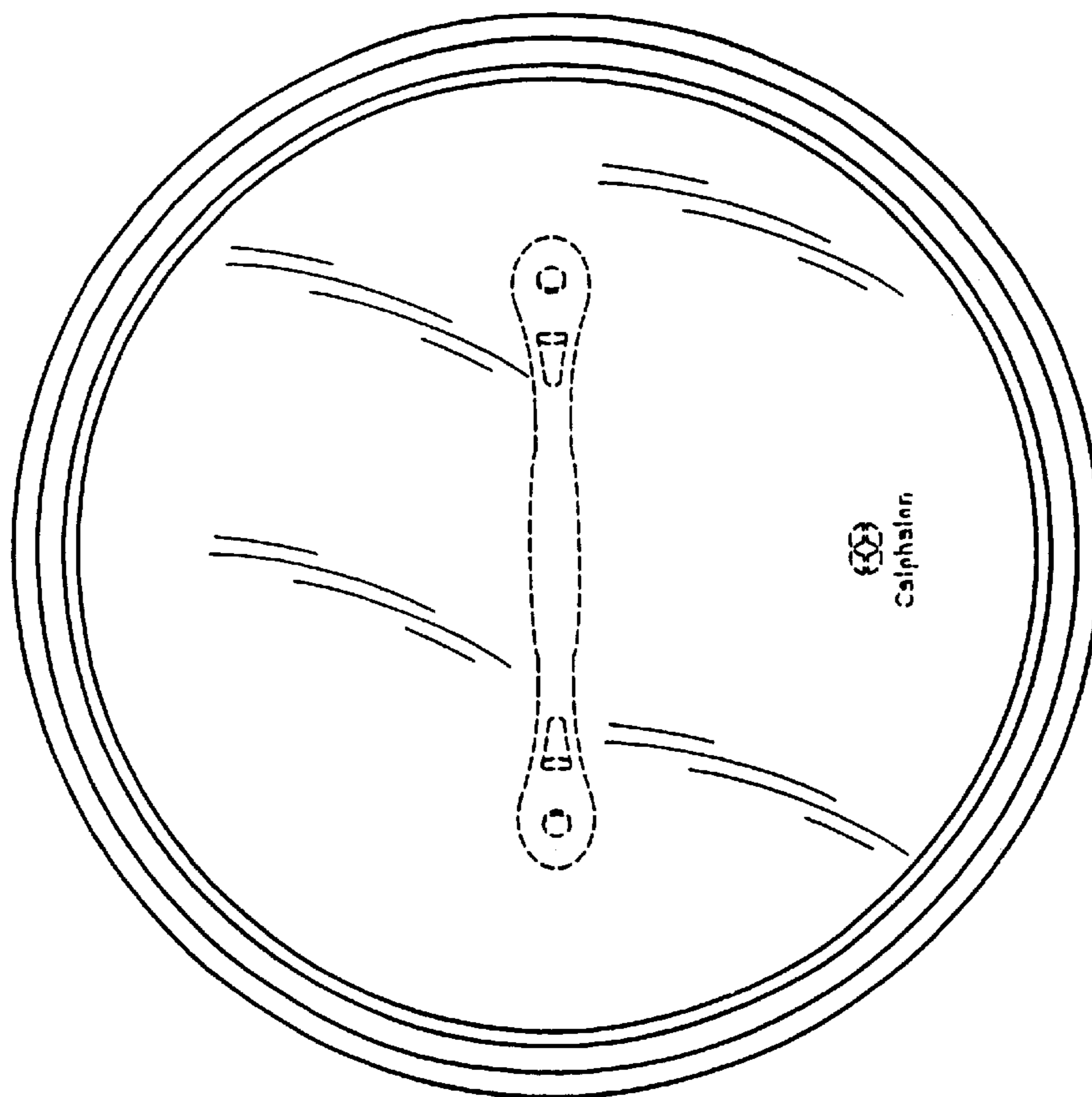


FIG. 6

