

US00D514874S

(12) **United States Design Patent**
Eckley et al.

(10) **Patent No.:** **US D514,874 S**
(45) **Date of Patent:** **** Feb. 14, 2006**

(54) **TIERED BACON-COOKING, GREASE-
DRAINING DEVICE WITH POUR SPOUT
FOR MICROWAVE OVEN**

(76) Inventors: **Stephen T. Eckley**, P.O. Box 444,
Oquawka, IL (US) 61469; **Debra J.
Eckley**, P.O. Box 444, Oquawka, IL
(US) 61469

(**) Term: **14 Years**

(21) Appl. No.: **29/201,787**

(22) Filed: **Mar. 22, 2004**

(51) **LOC (8) Cl.** **07-02**

(52) **U.S. Cl.** **D7/356; D7/359**

(58) **Field of Classification Search** D7/323,
D7/354-361, 409; 99/324, 352, 375, 400,
99/403, 422, 425, 444, 446

See application file for complete search history.

(56) **References Cited**

U.S. PATENT DOCUMENTS

3,466,997 A	9/1969	Hartzog	
4,291,616 A *	9/1981	Taylor	D7/355
4,542,684 A	9/1985	Cantrell	
D292,470 S *	10/1987	Oh	D7/354
4,704,290 A	11/1987	Fritzsche	
4,933,528 A	6/1990	Barr	
4,952,764 A	8/1990	Harrington	
D314,307 S *	2/1991	Bush	D7/356

5,837,979 A 11/1998 Fleck et al.
D408,682 S * 4/1999 Costa D7/354

* cited by examiner

Primary Examiner—Caron D. Veynar

Assistant Examiner—Vy Nguyen

(74) *Attorney, Agent, or Firm*—Donald R. Schoonover

(57) **CLAIM**

We claim the ornamental design for a tiered bacon-cooking, grease-draining device with pour spout for microwave oven, as shown and described.

DESCRIPTION

FIG. 1 is a perspective view of a tiered bacon-cooking, grease-draining device with pour spout for microwave oven showing our new design;

FIG. 2 is a top plan view thereof;

FIG. 3 is a side elevational view thereof, showing the pour spout on the left, the side elevational view of the left side adjacent thereto being a mirror image thereof;

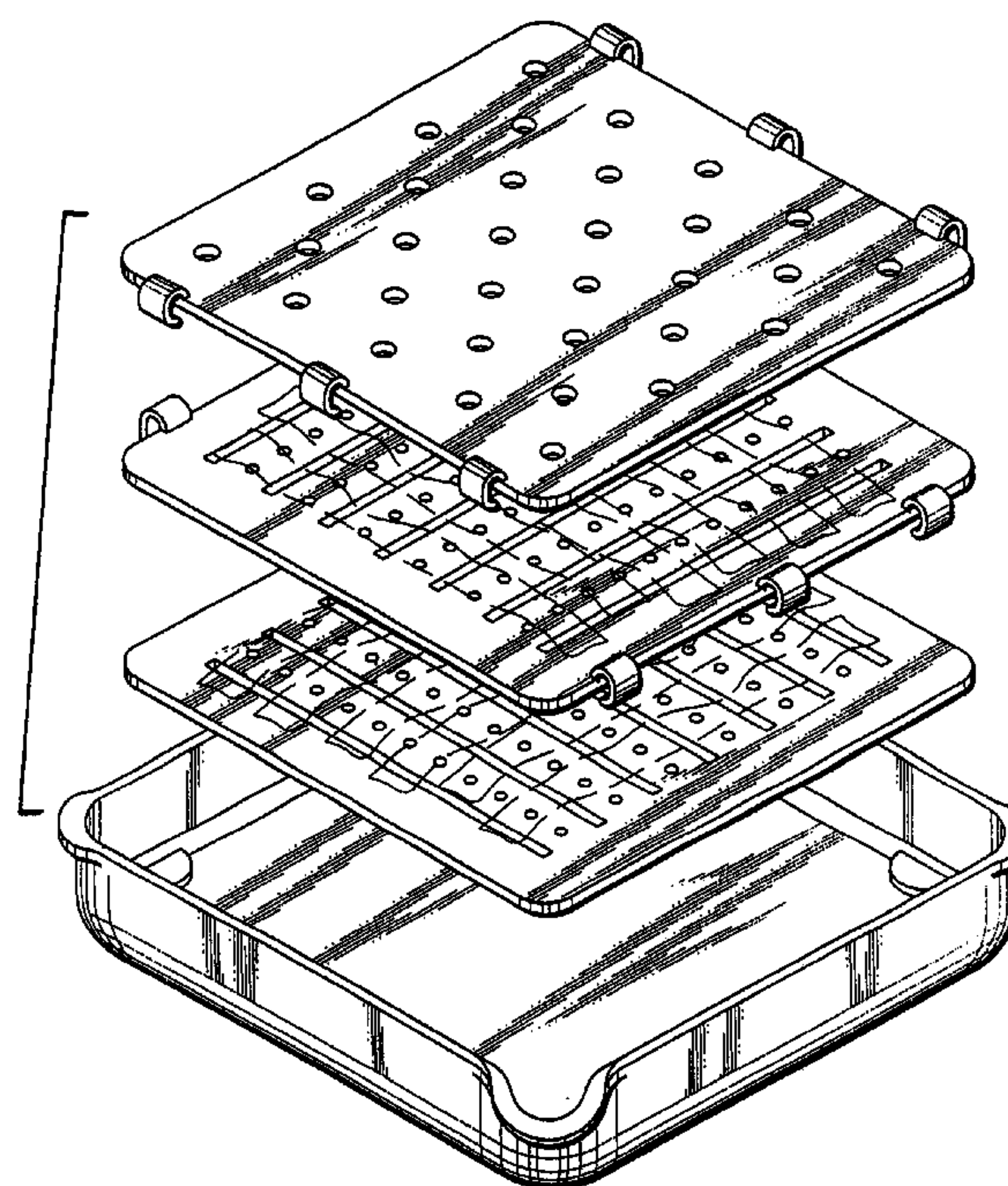
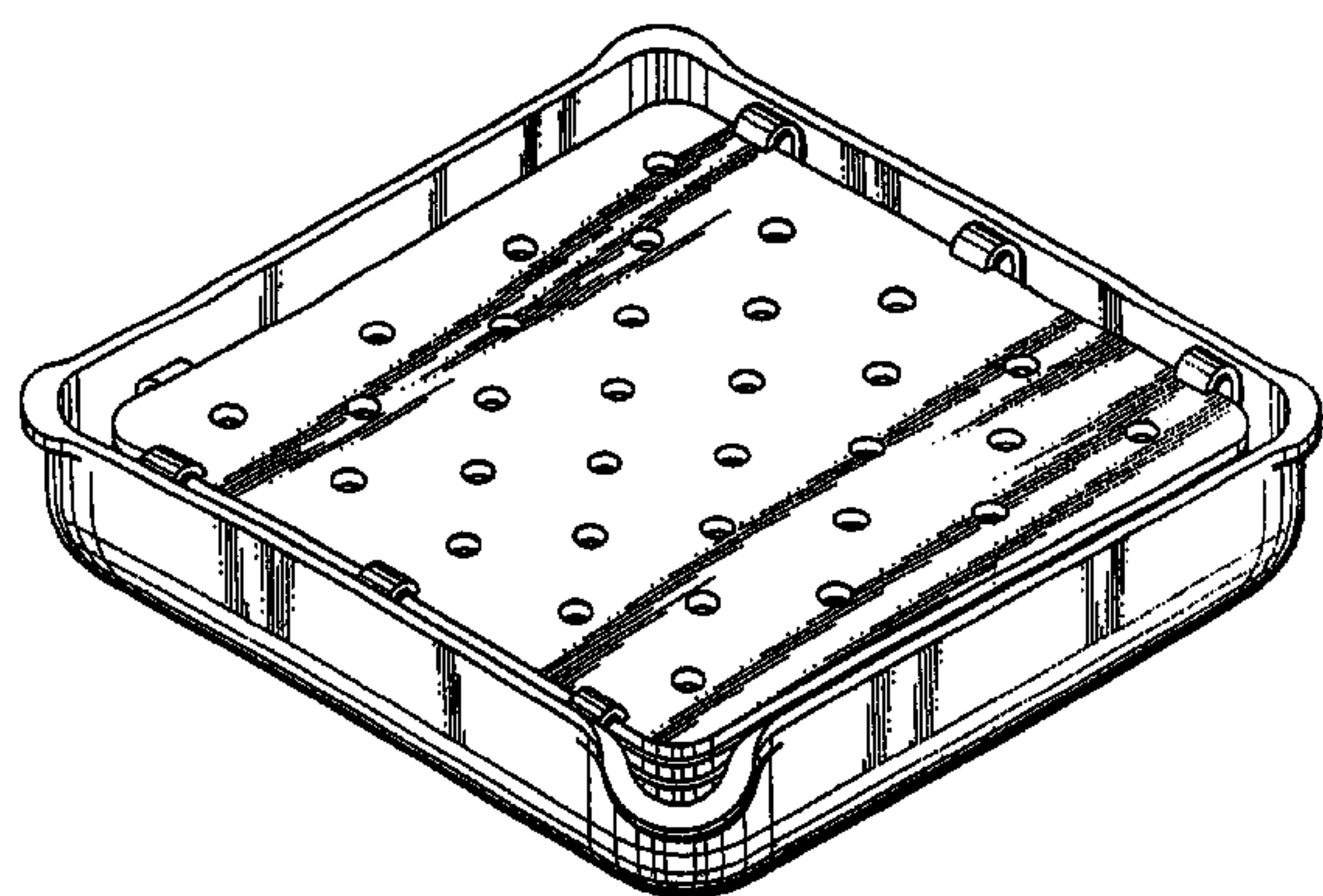
FIG. 4 is a side elevational view of each of the two sides opposite the sides shown or described in FIG. 3;

FIG. 5 is a bottom view thereof; and,

FIG. 6 is an exploded view showing the tiered bacon-cooking, grease-draining device with pour spout for microwave oven.

The broken line showing of bacon in FIG. 6 is for illustrative purposes only and forms no part of the claimed design.

1 Claim, 3 Drawing Sheets



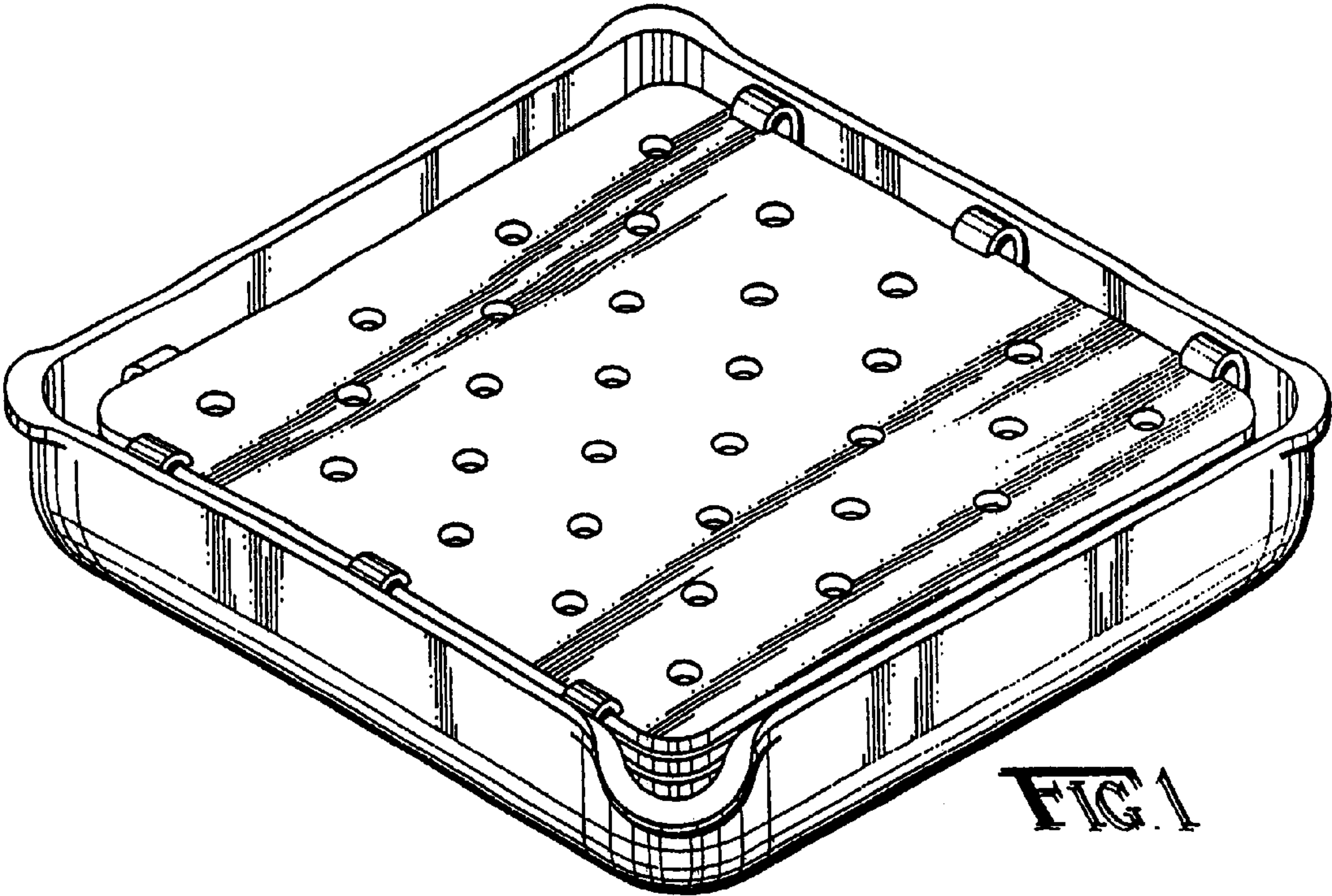


FIG 1

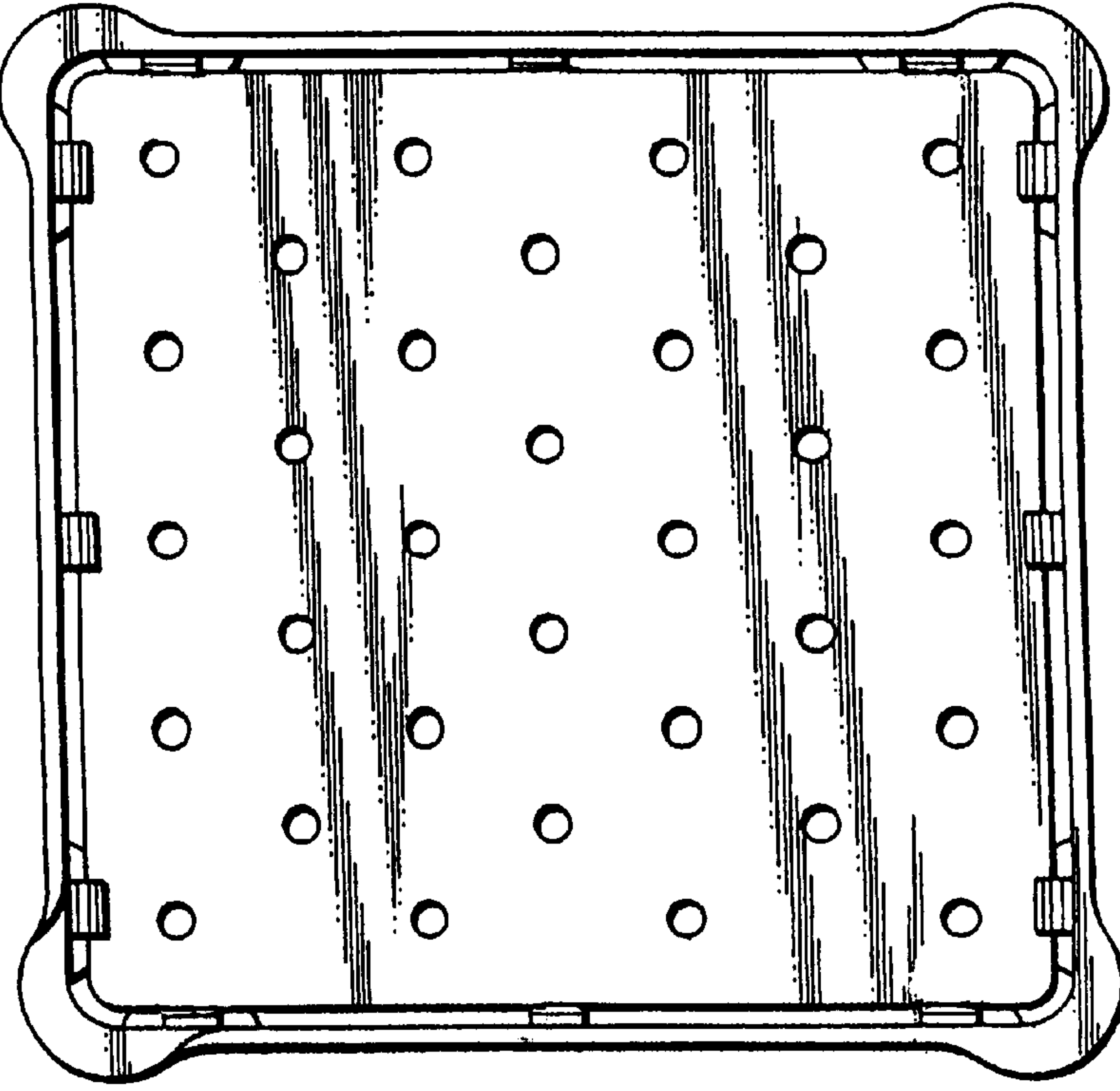


FIG 2

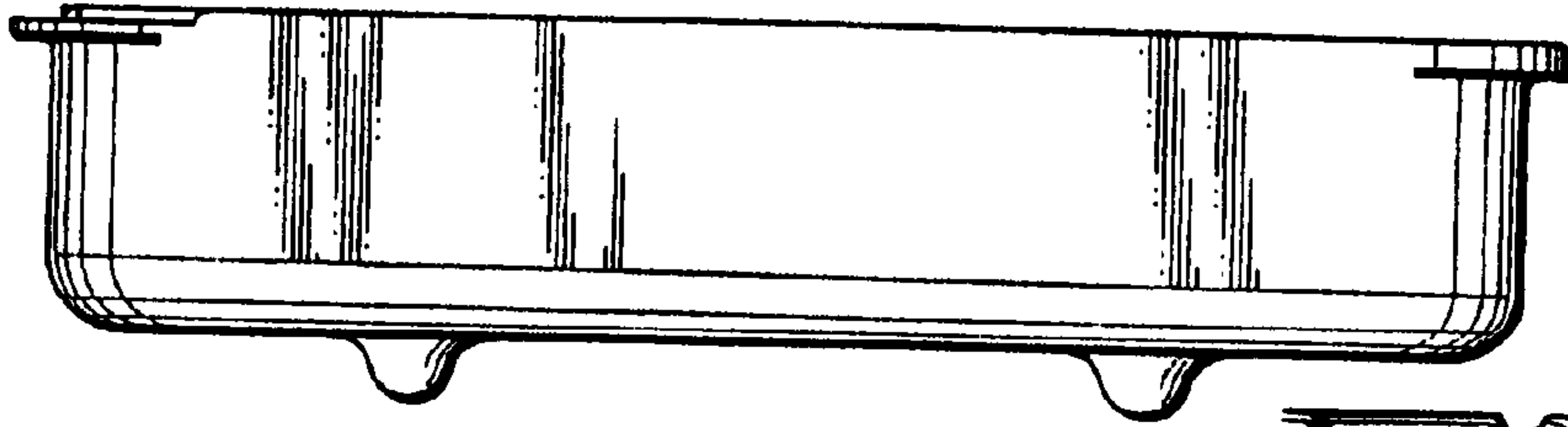


FIG. 3

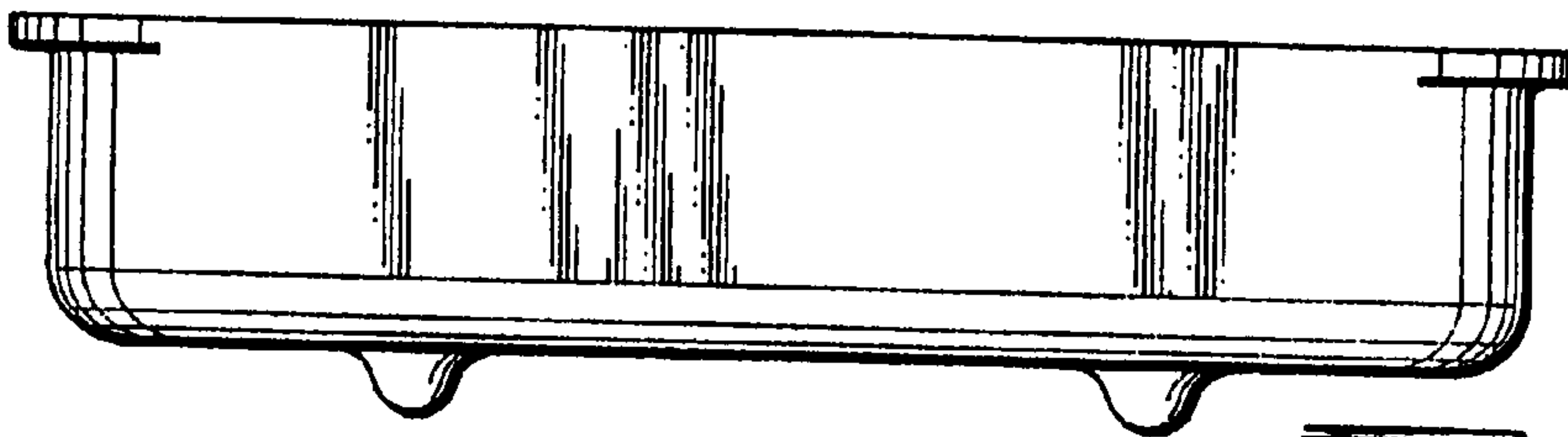


FIG. 4

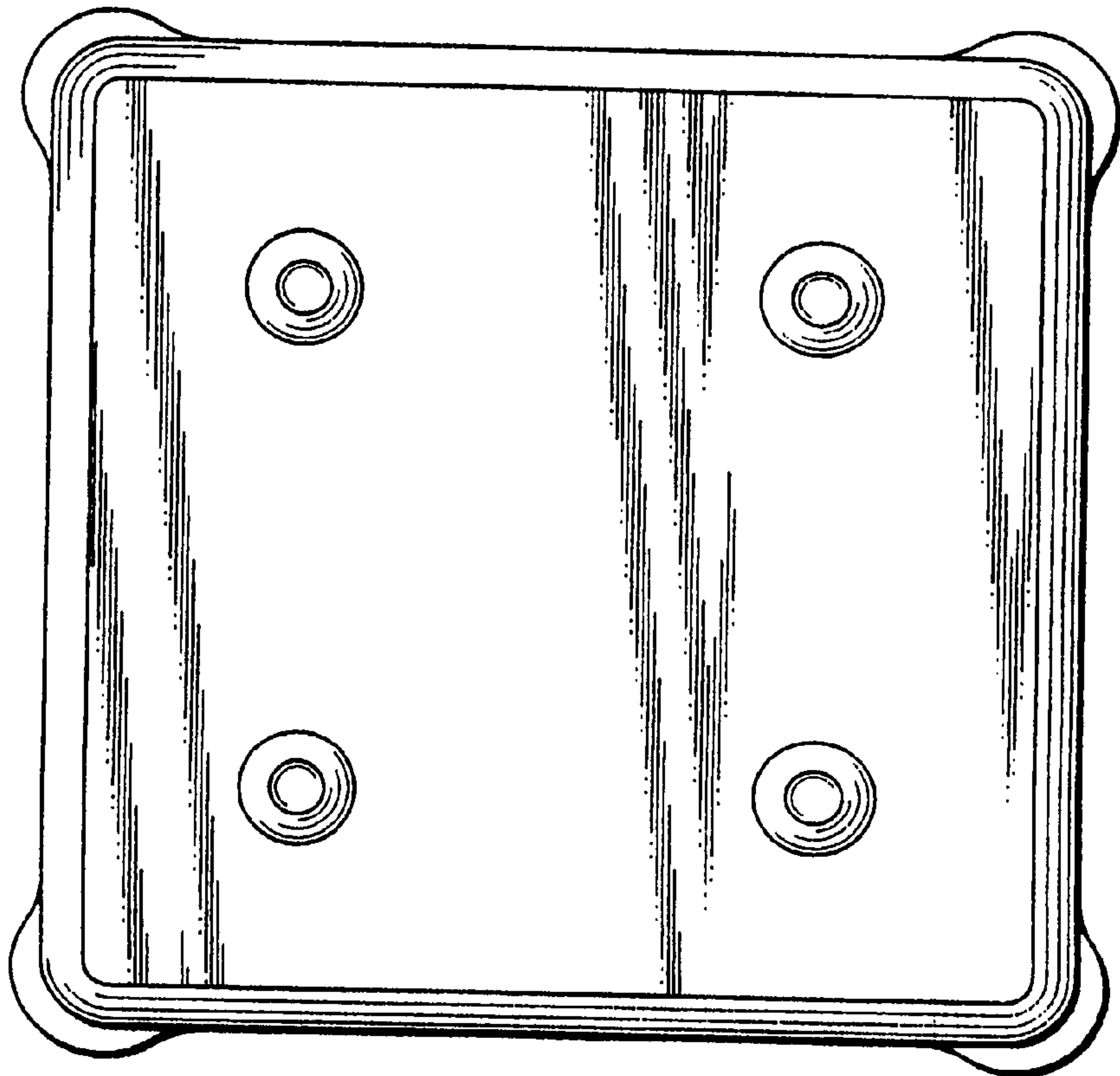


FIG. 5

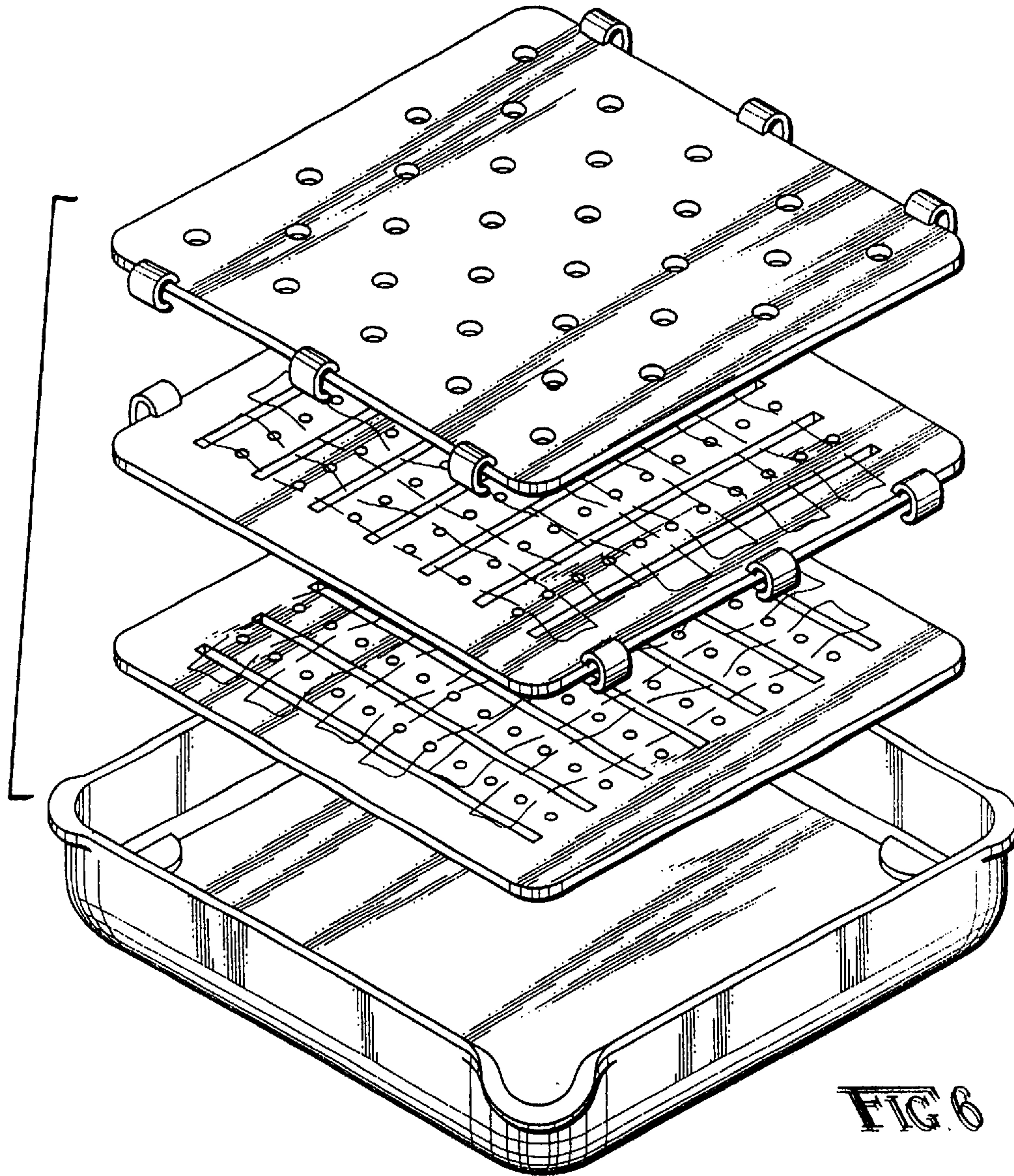


FIG. 6