



US00D514872S

(12) **United States Design Patent**
Chung

(10) **Patent No.: US D514,872 S**

(45) **Date of Patent: ** Feb. 14, 2006**

(54) **BARBECUE GRILL**

(76) Inventor: **Kiosky Chung**, 8F-1, No. 497,
Jhongming S. Rd., West District,
Taichung City 403 (TW)

(**) Term: **14 Years**

(21) Appl. No.: **29/223,686**

(22) Filed: **Feb. 17, 2005**

(51) **LOC (8) Cl. 07-02**

(52) **U.S. Cl. D7/337**

(58) **Field of Classification Search** D7/332,
D7/334-337, 402-405, 393-395; 126/25 R,
126/25 A, 25 AA, 41 R, 9 R, 38, 39 H, 39 BA;
99/401, 425, 446-447, 450, 481; 219/450.1,
219/452.12, 533; D8/315-320; D9/506, 518,
D9/428

See application file for complete search history.

(56) **References Cited**

U.S. PATENT DOCUMENTS

D420,546 S * 2/2000 Pai D7/332
D427,840 S * 7/2000 Pai D7/332
D461,360 S * 8/2002 Bossler D7/337

D463,707 S * 10/2002 Bossler D7/332
D464,227 S * 10/2002 Eisinger et al. D7/332
D464,228 S * 10/2002 Hsu D7/337
D468,151 S * 1/2003 Yeh et al. D7/337
D501,115 S * 1/2005 Zhang D7/332

* cited by examiner

Primary Examiner—Ruth McInroy

(74) *Attorney, Agent, or Firm*—Charles E. Baxley

(57) **CLAIM**

I claim the ornamental design for a barbecue grill, as shown and described.

DESCRIPTION

FIG. 1 is a perspective view of a barbecue grill, showing my new design;

FIG. 2 is a front elevational view thereof;

FIG. 3 is a rear elevational view thereof;

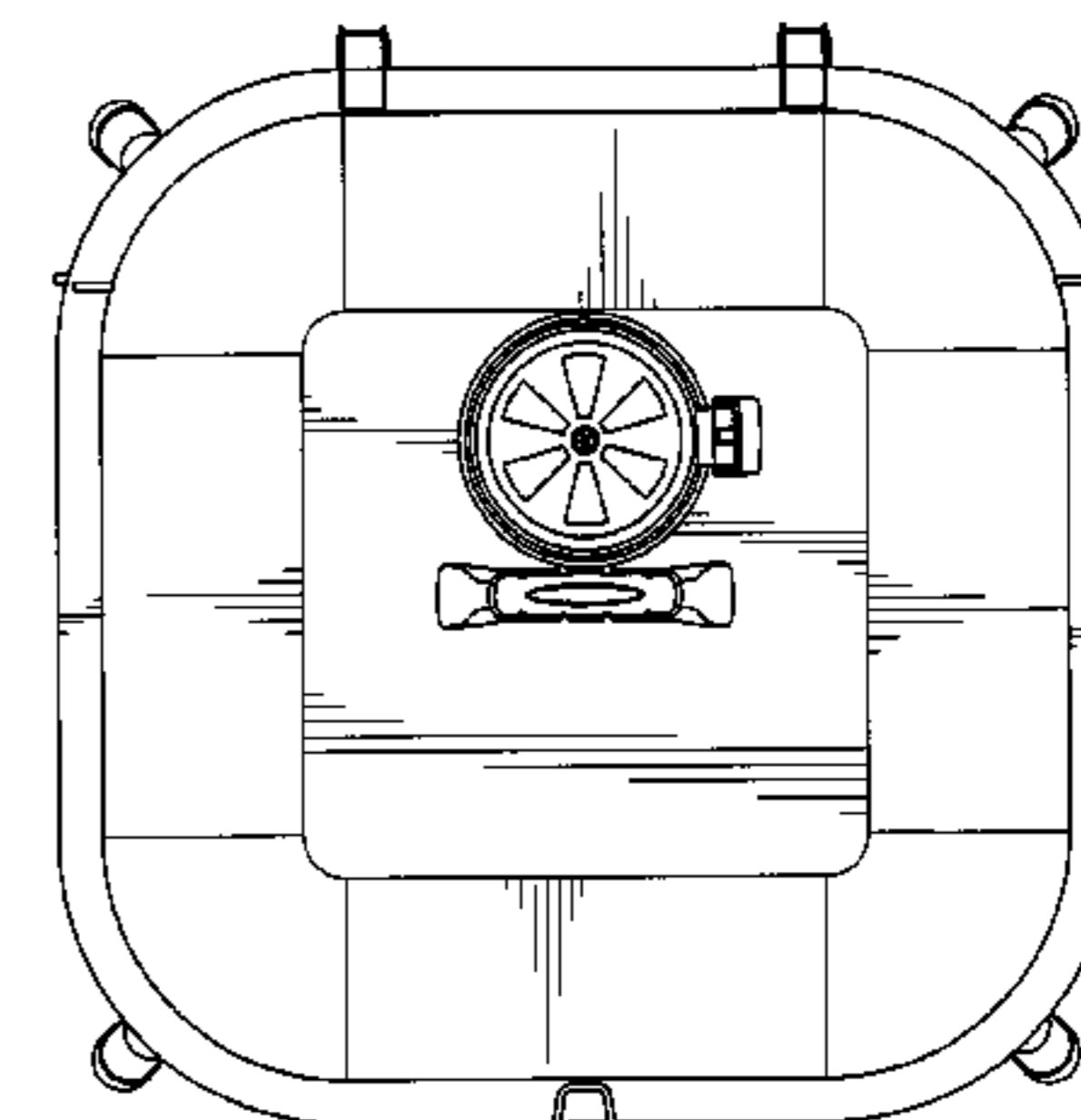
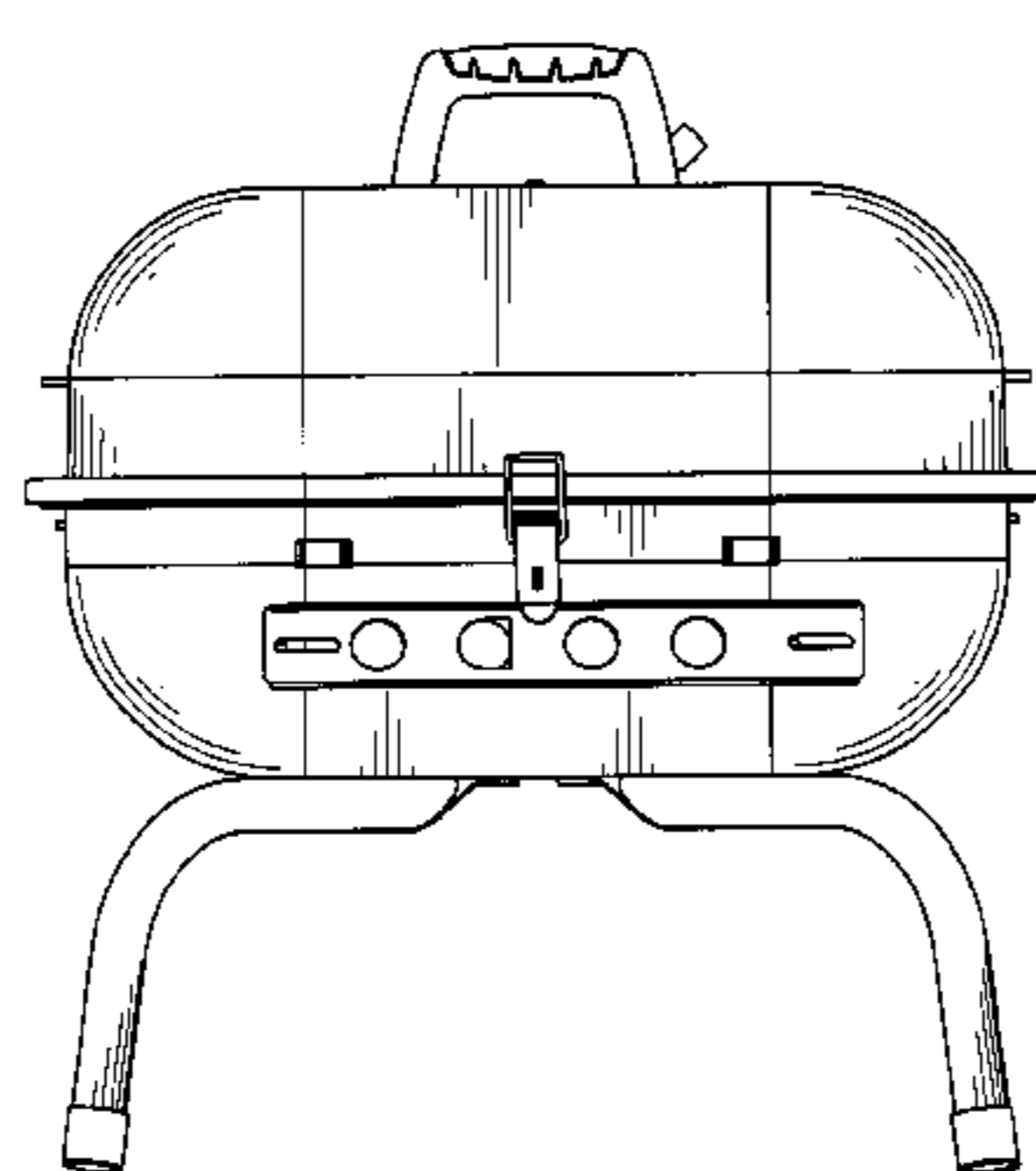
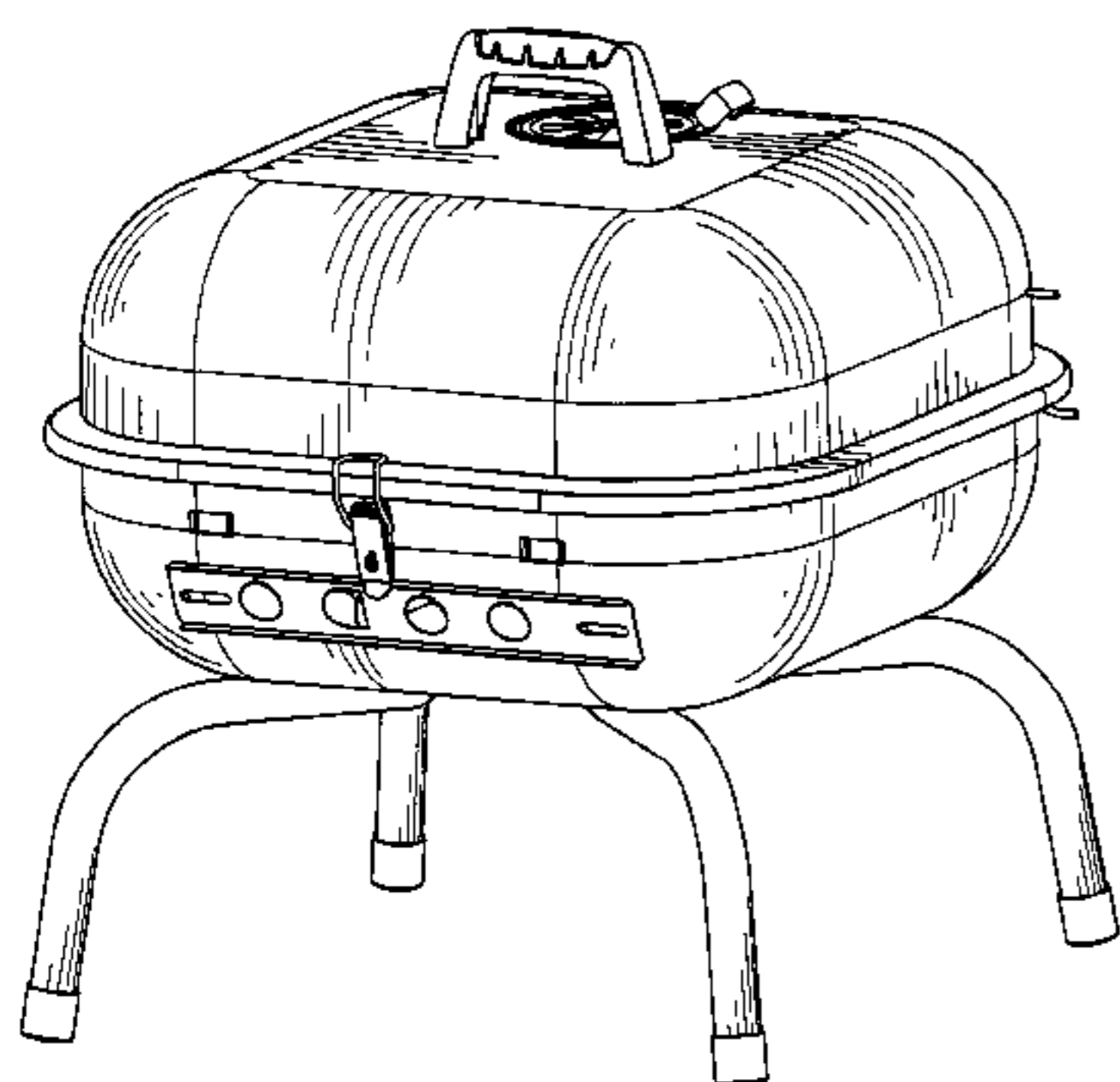
FIG. 4 is a left side elevational view thereof;

FIG. 5 is a right side elevational view thereof;

FIG. 6 is a top plan view thereof; and,

FIG. 7 is a bottom plan view thereof.

1 Claim, 7 Drawing Sheets



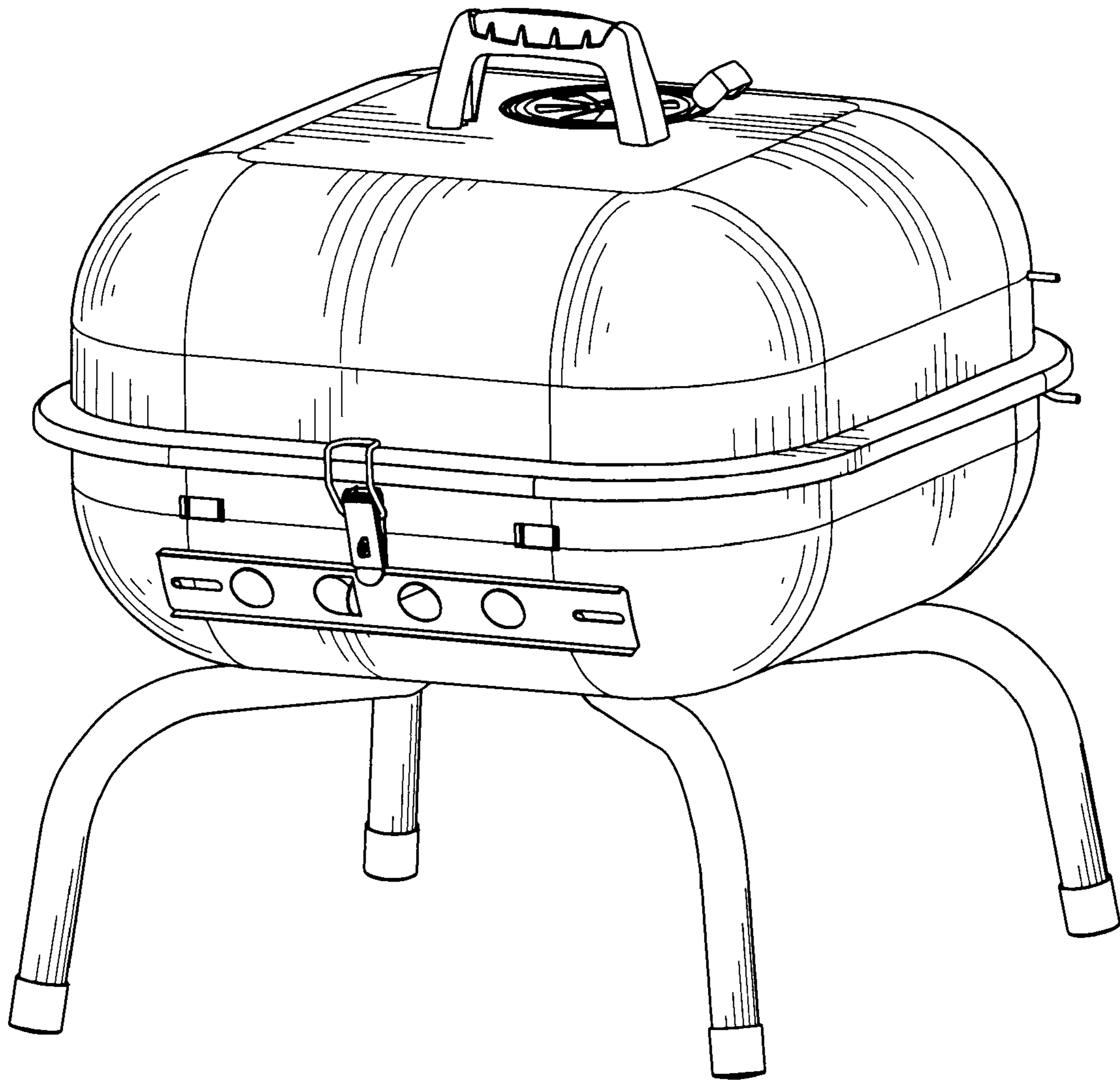


FIG. 1

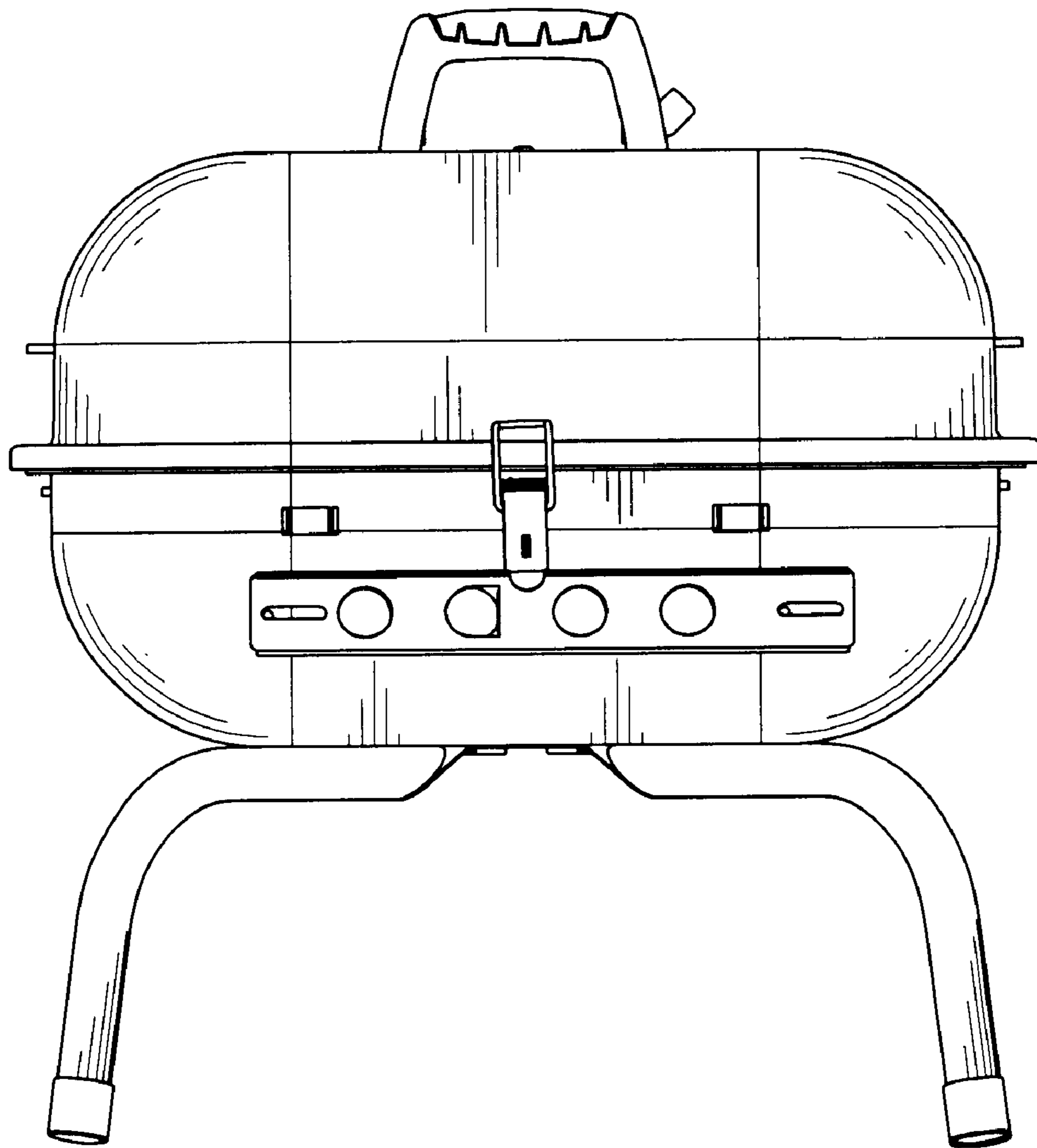


FIG. 2

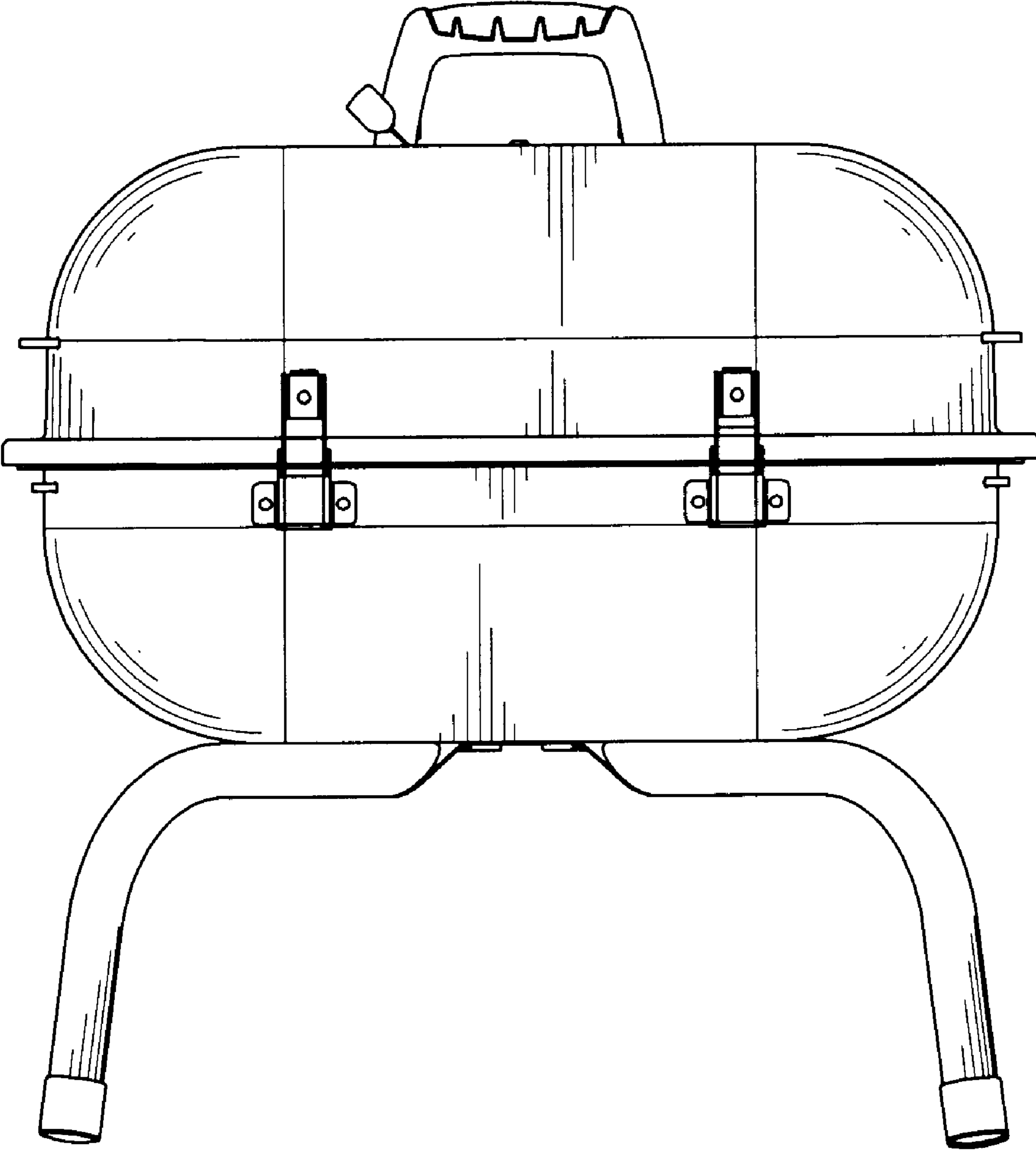


FIG. 3

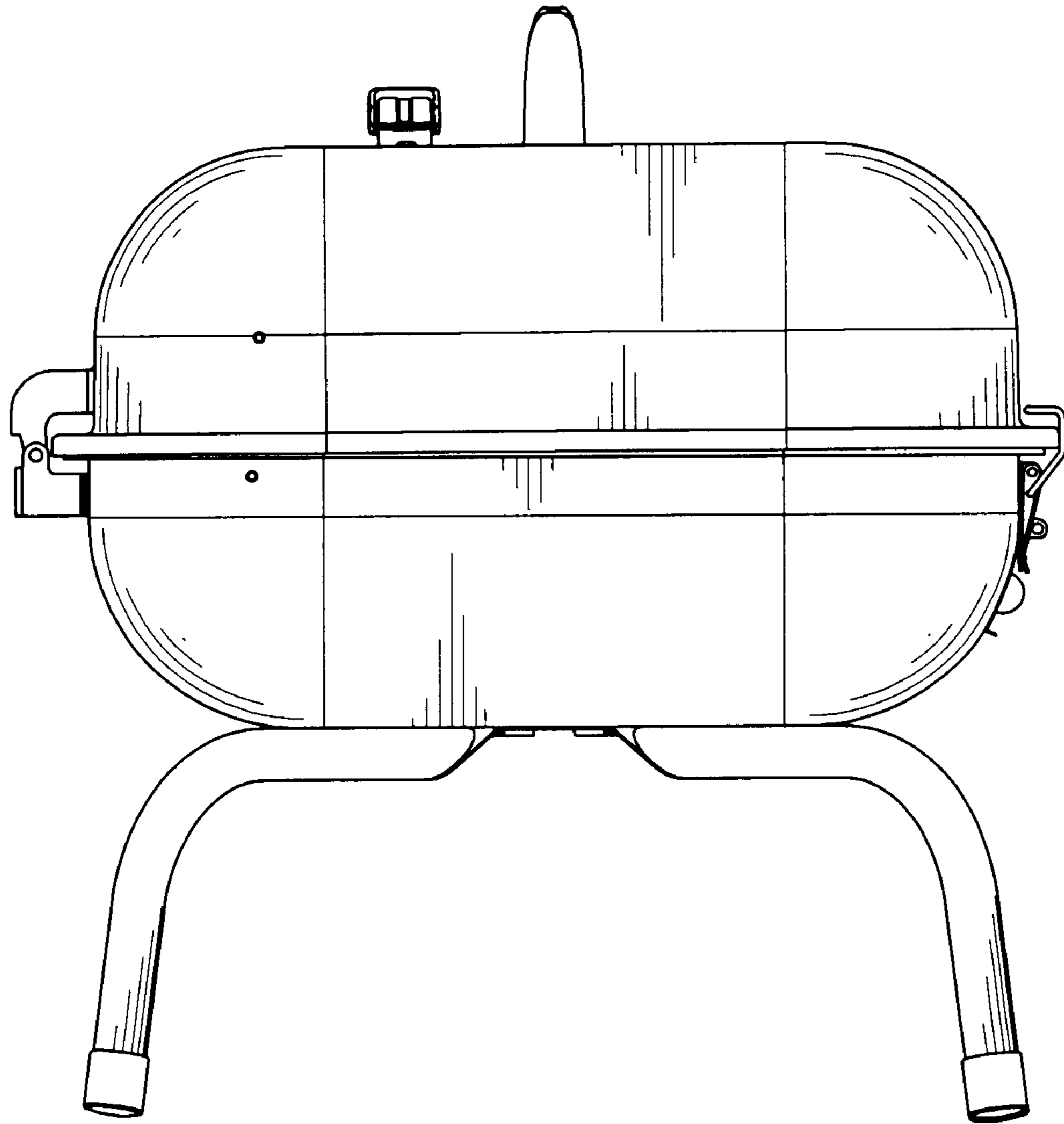


FIG. 4

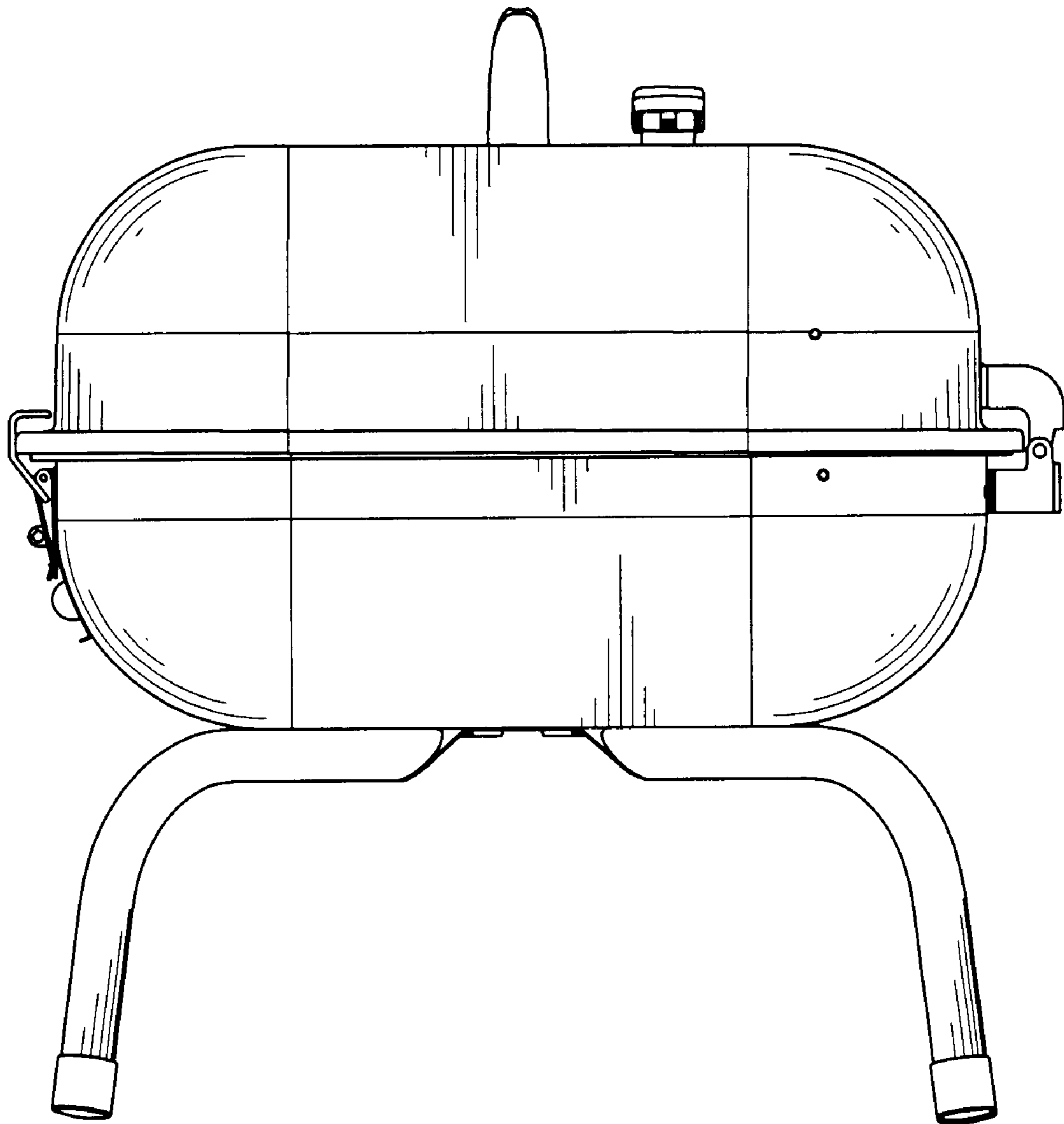


FIG. 5

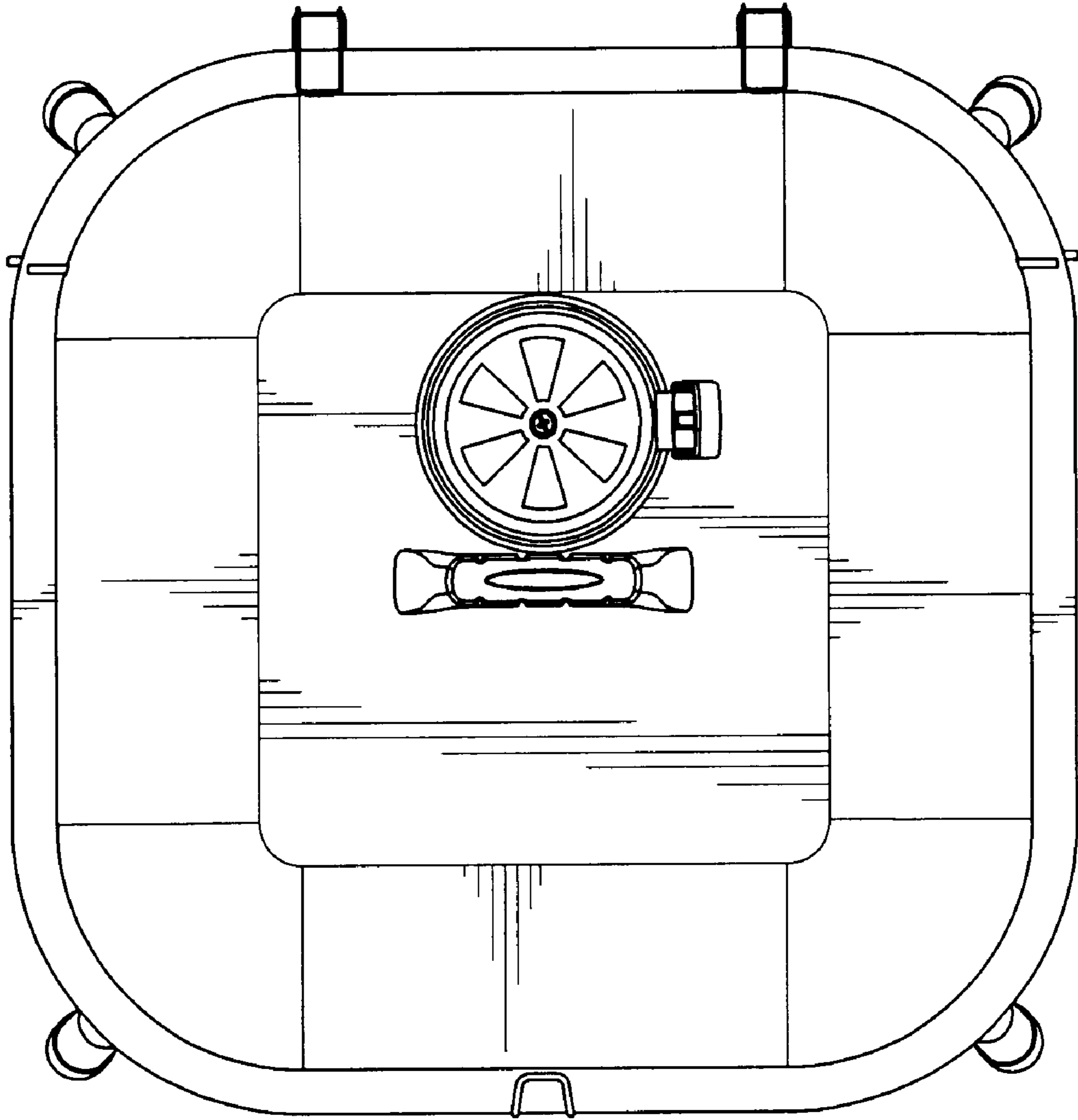


FIG. 6

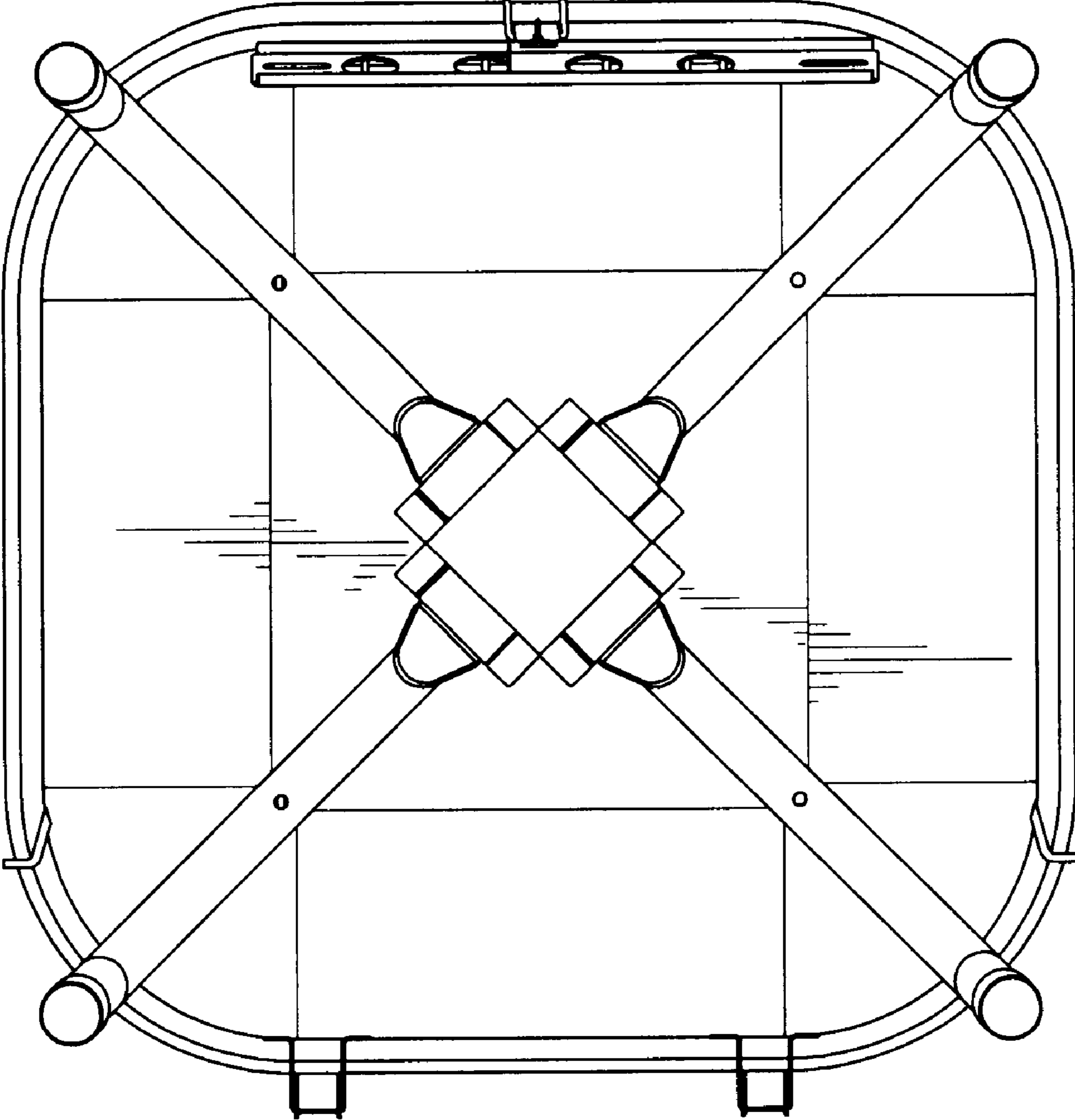


FIG. 7