



US00D514871S

(12) **United States Design Patent**  
**May et al.**

(10) **Patent No.: US D514,871 S**

(45) **Date of Patent: \*\* Feb. 14, 2006**

(54) **PORTABLE STOVE**

(75) Inventors: **Randall Lynn May**, Plano, TX (US);  
**Gary P. Israel**, Lantana, TX (US)

(73) Assignee: **The Brinkman Corporation**, Dallas,  
TX (US)

(\*\*) Term: **14 Years**

(21) Appl. No.: **29/204,596**

(22) Filed: **Apr. 30, 2004**

(51) **LOC (8) Cl.** ..... **07-02**

(52) **U.S. Cl.** ..... **D7/337**

(58) **Field of Classification Search** ..... D7/332,  
D7/334-337, 402-405, 393-395; 126/25 R,  
126/25 A, 25 AA, 41 R, 9 R, 38, 39 H, 39 BA;  
99/401, 425, 446-447, 450, 481; 219/450.1,  
219/452.12, 533; D8/315-320; D9/506, 518,  
D9/428

See application file for complete search history.

(56) **References Cited**

**U.S. PATENT DOCUMENTS**

1,209,610 A	12/1916	Muehleisen
1,411,624 A	4/1922	Grottger
1,435,436 A	11/1922	Stoll
1,480,598 A	1/1924	Coleman
1,483,159 A	2/1924	Coleman
1,496,344 A	6/1924	Levinson
1,518,713 A	12/1924	Trow
1,524,961 A	2/1925	Asche
1,540,073 A	6/1925	Hugo

(Continued)

**OTHER PUBLICATIONS**

Internet printout from [www.source4rebates.com](http://www.source4rebates.com) dated Apr. 18, 2004 (Coleman 2-burner E.I. propane stove). (1 pg).

Internet printout from [www.rei.com](http://www.rei.com) dated Apr. 18, 2004 (camping Gaz 424 dual-fuel 2-burner stove). (2 pgs).

Internet printout from [www.grillguard.com](http://www.grillguard.com) dated Apr. 18, 2004 (Grillguard). (2 pgs).

*Primary Examiner*—Ruth McInroy

(74) *Attorney, Agent, or Firm*—Sheppard, Mullin, Richter & Hampton LLP

(57) **CLAIM**

We claim the ornamental design for a portable stove, as shown and described.

**DESCRIPTION**

FIG. 1 is a perspective view of a portable stove embodying our new design, the portable stove being shown with the lid in a closed position;

FIG. 2 is a front elevational view of the portable stove of FIG. 1;

FIG. 3 is a rear elevational view of the portable stove of FIG. 1;

FIG. 4 is a right side elevational view of the portable stove of FIG. 1, the left side elevational view being a mirror image thereof;

FIG. 5 is a top plan view of the portable stove of FIG. 1;

FIG. 6 is a bottom plan view of the portable stove of FIG. 1;

FIG. 7 is a perspective view of a portable stove embodying our new design, the portable stove being shown with the lid in an open position;

FIG. 8 is a front elevational view of the portable stove of FIG. 7;

FIG. 9 is a rear elevational view of the portable stove of FIG. 7;

FIG. 10 is a right side elevational view of the portable stove of FIG. 7, the left side elevational view being a mirror image thereof;

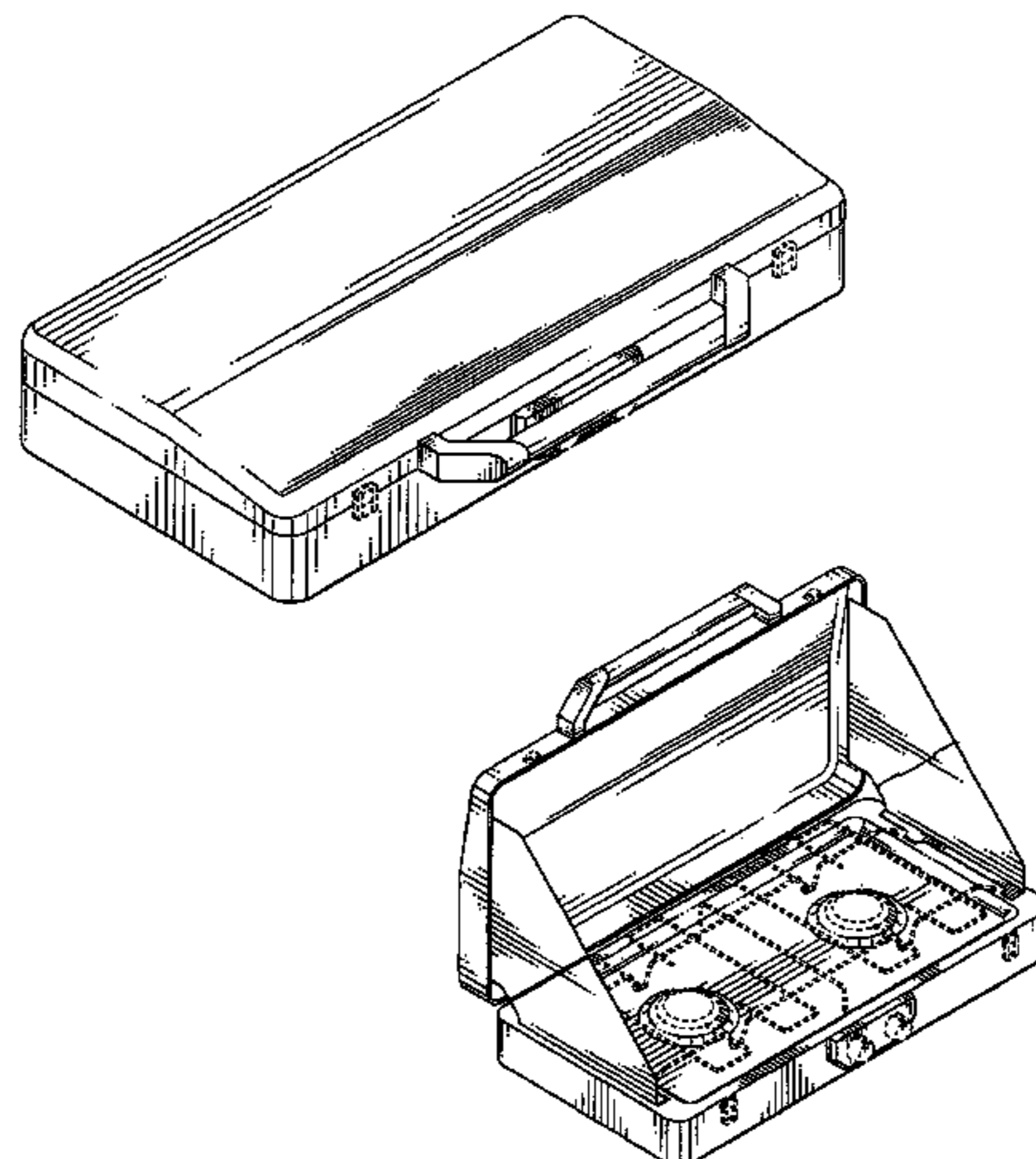
FIG. 11 is a top plan view of the portable stove of FIG. 7;

FIG. 12 is a bottom plan view of the portable stove of FIG. 7; and,

FIG. 13 is a perspective view of a portable stove embodying our new design, the portable stove being shown with the lid in a partially open position.

The dotted lines are for illustrative purposes only and form no part of the claimed design.

**1 Claim, 12 Drawing Sheets**



# US D514,871 S

Page 2

## U.S. PATENT DOCUMENTS

1,563,895 A	12/1925	Coleman		3,538,907 A	11/1970	Bowman	126/38
1,595,133 A	8/1926	Yeager		3,559,633 A	2/1971	Born	126/38
1,626,035 A	4/1927	Hanson		3,687,125 A	8/1972	Weimer	126/38
1,638,223 A	8/1927	Taylor		3,713,432 A	1/1973	Finley	126/38
1,701,881 A	2/1929	Goldberg		D226,872 S	5/1973	Benson	D81/10
1,711,226 A	4/1929	Davidson		D227,850 S	* 7/1973	Benson	D7/337
1,735,151 A	11/1929	Blaskewitz		D229,448 S	* 11/1973	Traclet	D7/337
1,819,669 A	8/1931	Blaskewitz		3,789,821 A	2/1974	Fick	126/38
2,302,880 A	11/1942	Nelson	126/38	D231,183 S	* 4/1974	Avant	D7/337
2,403,823 A	7/1946	Nelson		3,890,952 A	6/1975	Hamre	126/45
2,459,515 A	1/1949	Flinner	126/38	D245,220 S	* 8/1977	Chan	D7/337
2,474,043 A	6/1949	Etehes	126/9	D251,893 S	* 5/1979	Chan	D7/337
2,497,994 A	2/1950	Jones	126/9	D251,894 S	* 5/1979	Chan	D7/337
2,556,365 A	6/1951	McKnight	126/9	4,426,990 A	1/1984	Shepherd	126/9
2,669,641 A	2/1954	Becker	219/19	D276,303 S	* 11/1984	Chan	D7/337
2,742,893 A	4/1956	Keffer	126/38	D291,399 S	* 8/1987	Chan	D7/337
2,852,016 A	9/1958	Weatherwax	126/9	5,351,673 A	10/1994	Somerton	126/214
2,896,606 A	7/1959	Ross	126/38	D406,722 S	* 3/1999	Benton et al.	D7/362
3,117,568 A	1/1964	Hoenisch	126/38	5,906,196 A	5/1999	Measom	126/304
3,330,204 A	7/1967	Little	99/339	D450,976 S	11/2001	Mosher	D7/337
D216,333 S	12/1969	Grover	D81/10	D469,298 S	1/2003	Hinton	D7/332
3,485,567 A	12/1969	Hutchinson	431/210				

\* cited by examiner

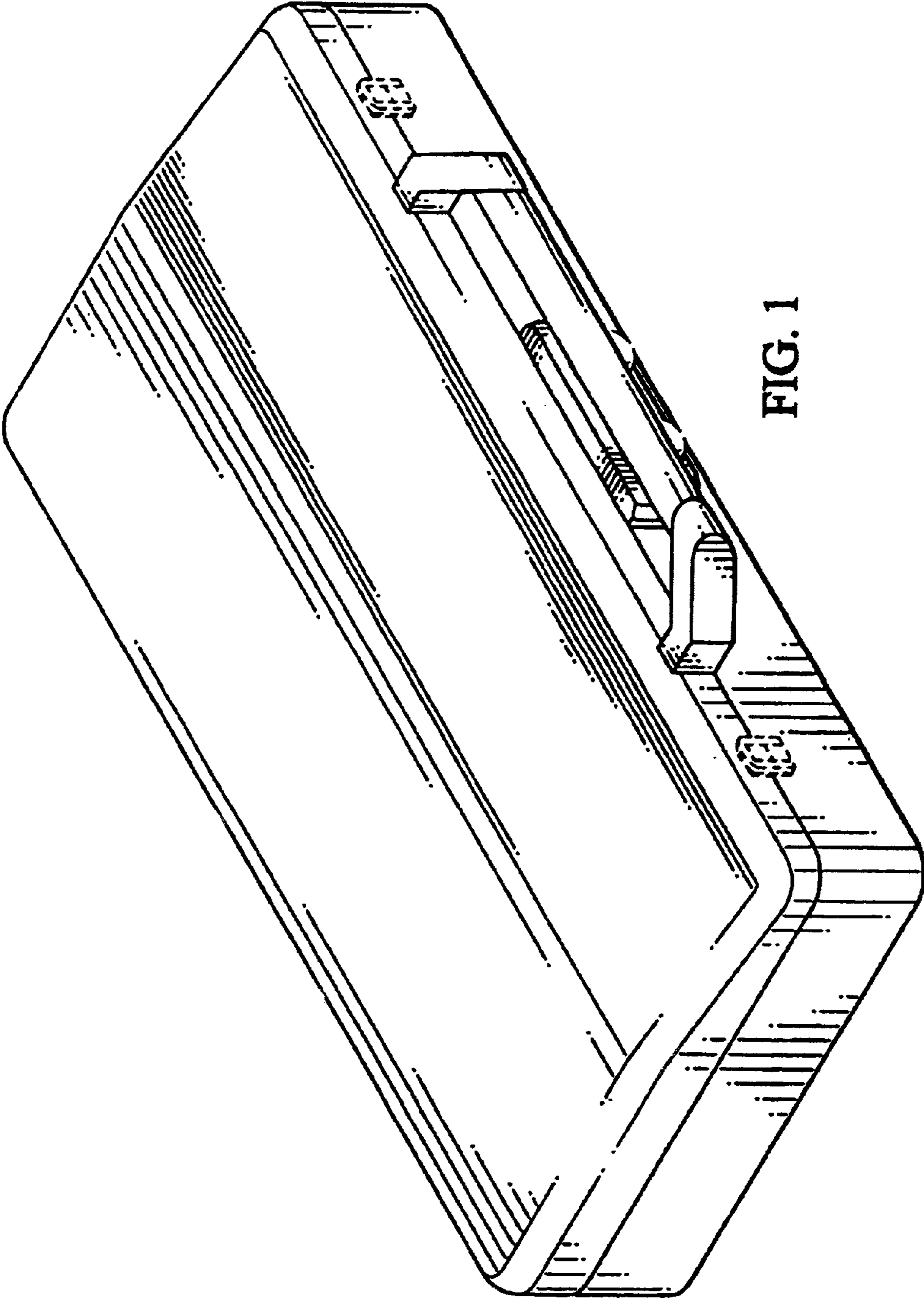


FIG. 1

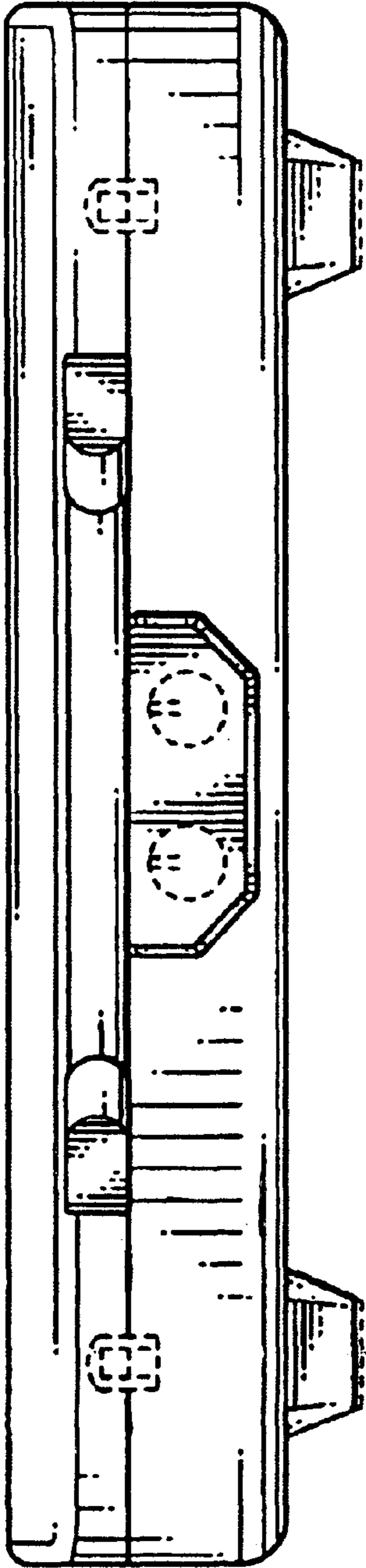


FIG. 2

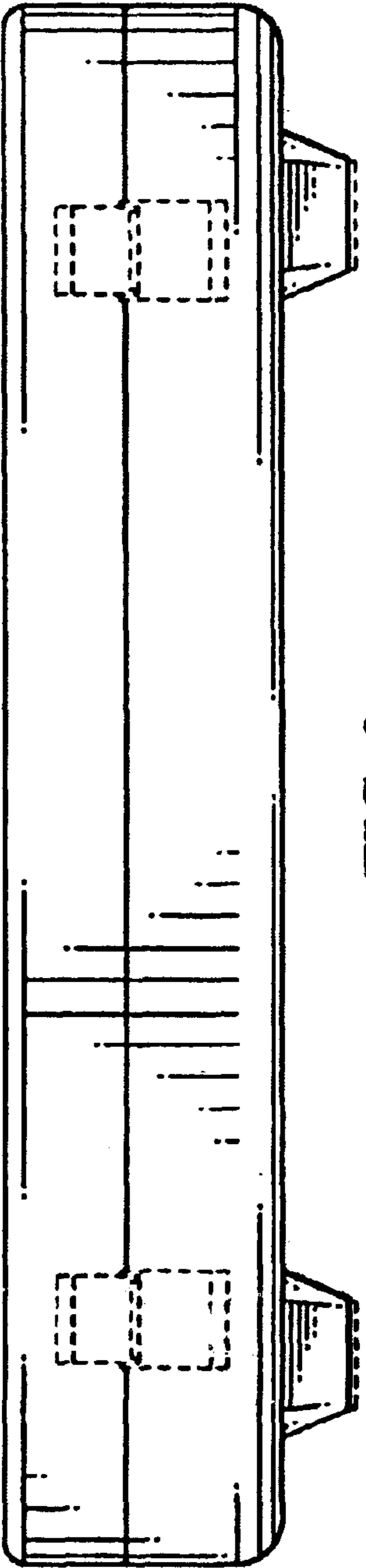


FIG. 3

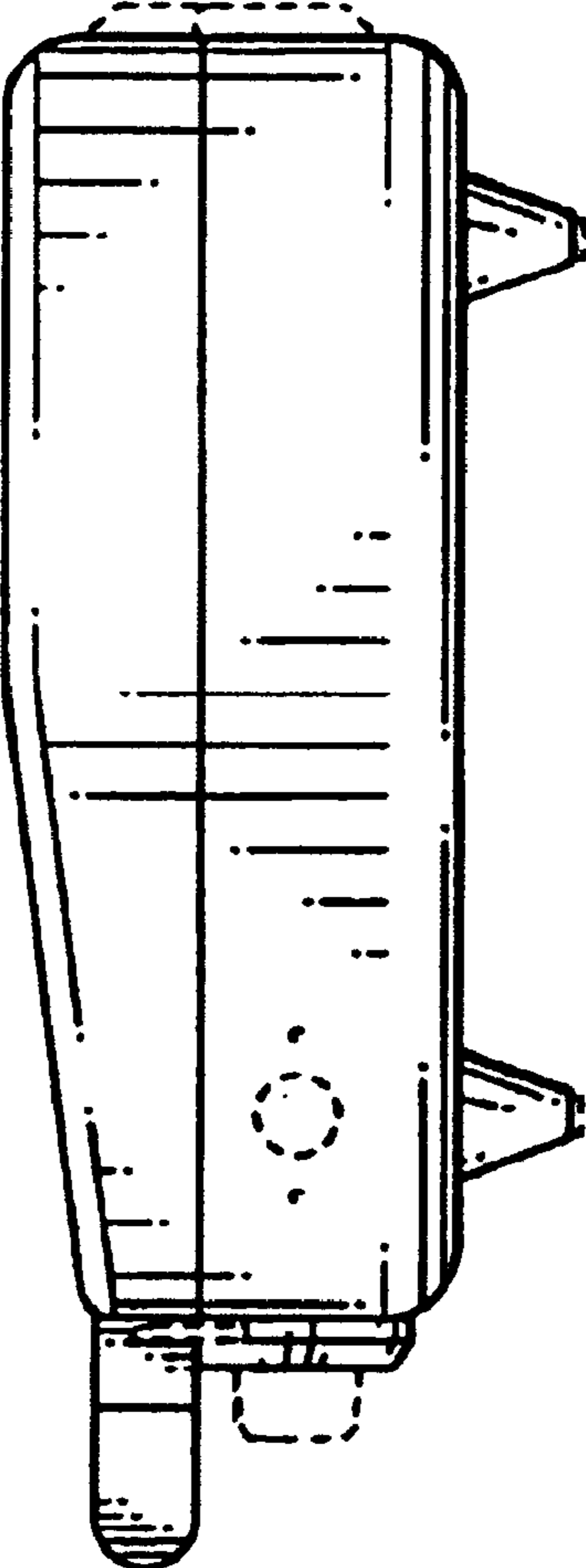


FIG. 4

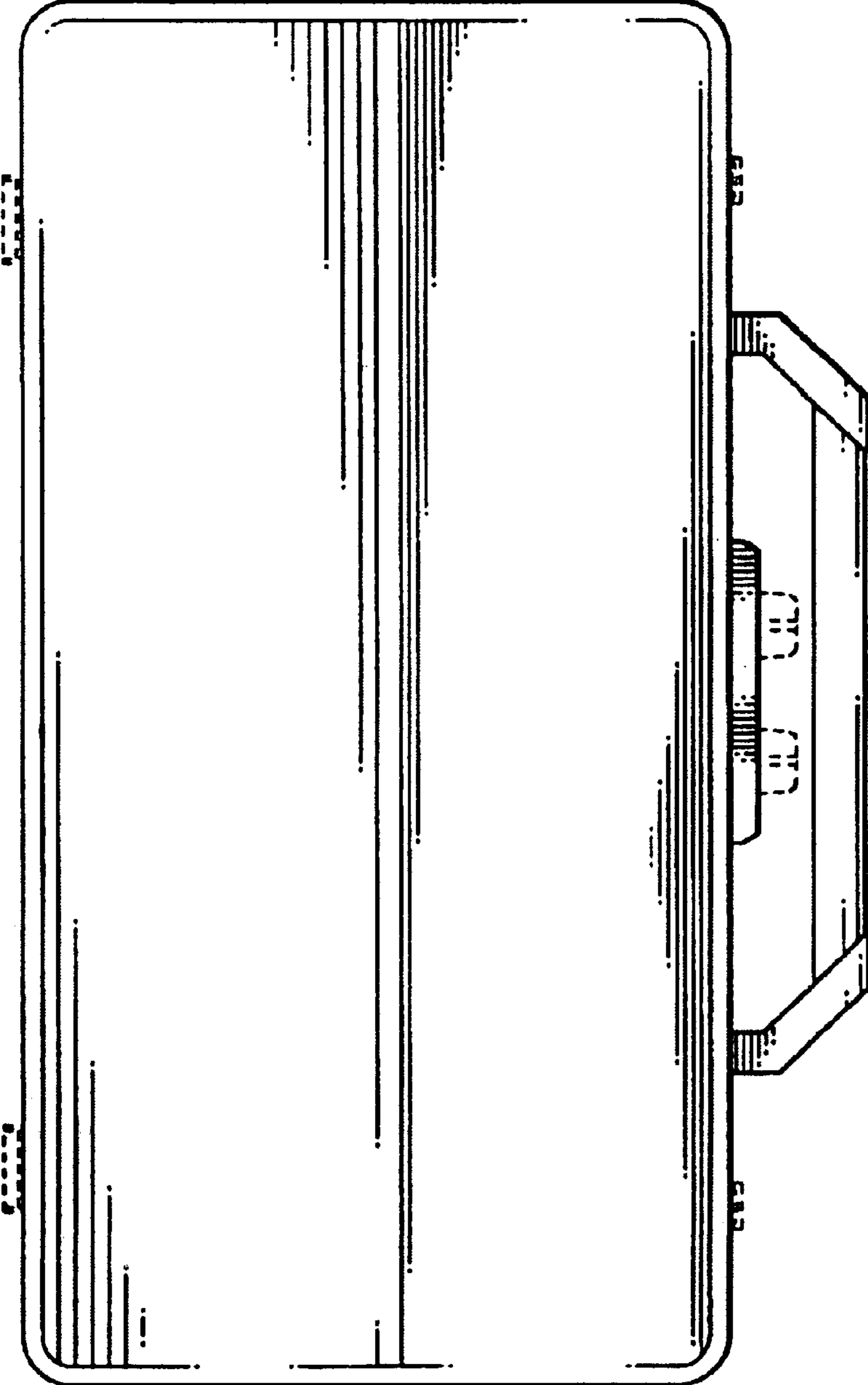


FIG. 5

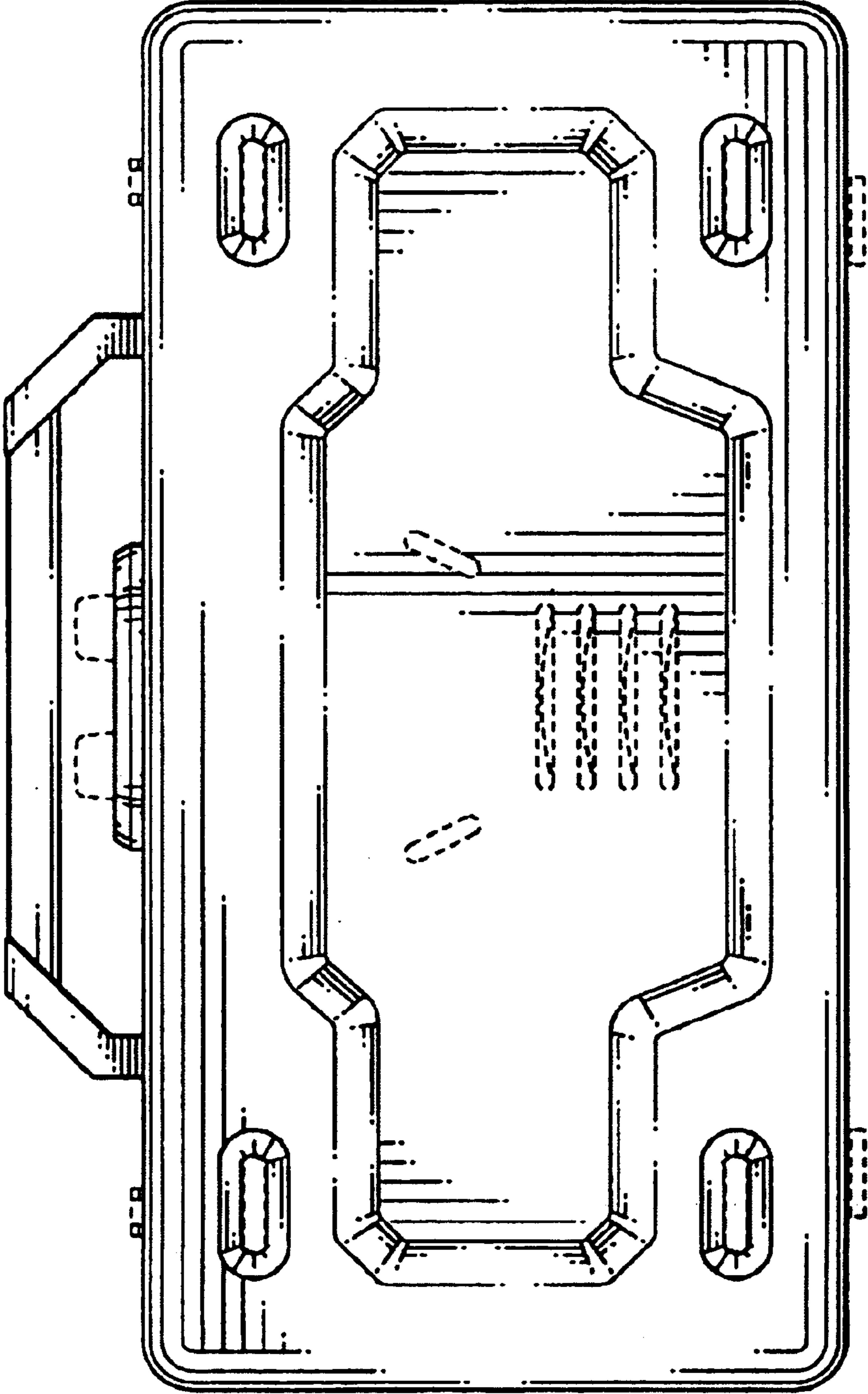


FIG. 6

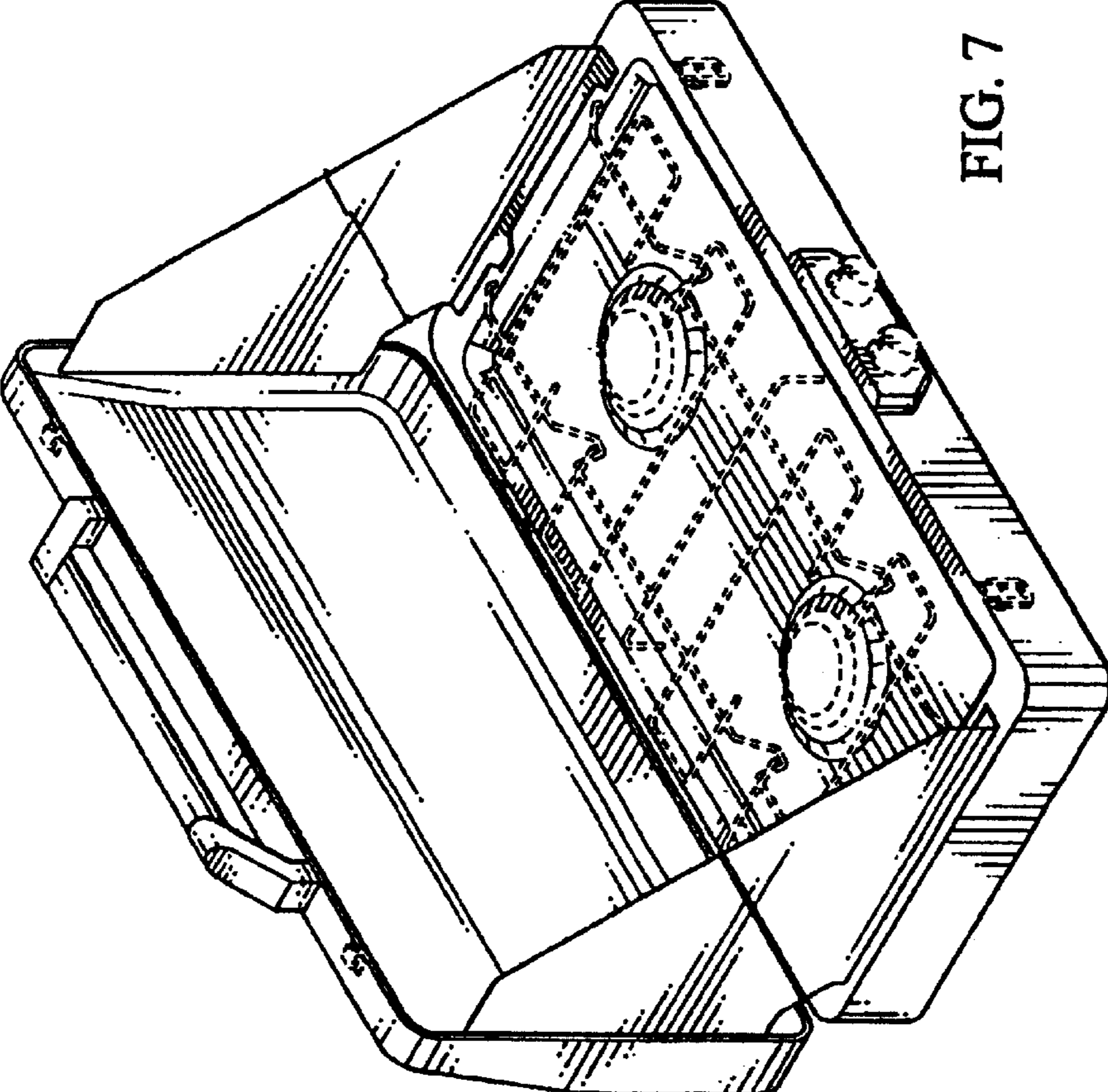


FIG. 7



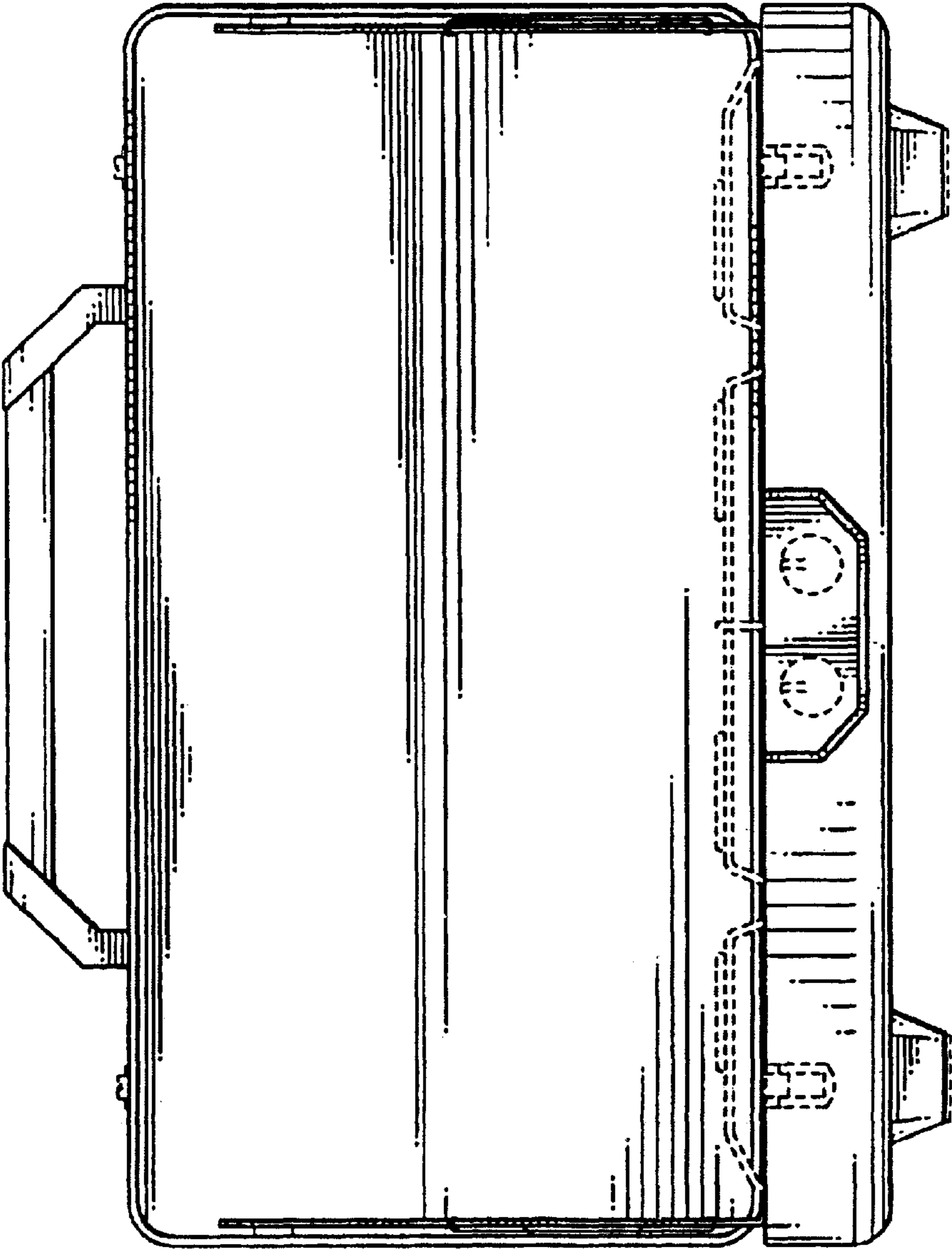


FIG. 8

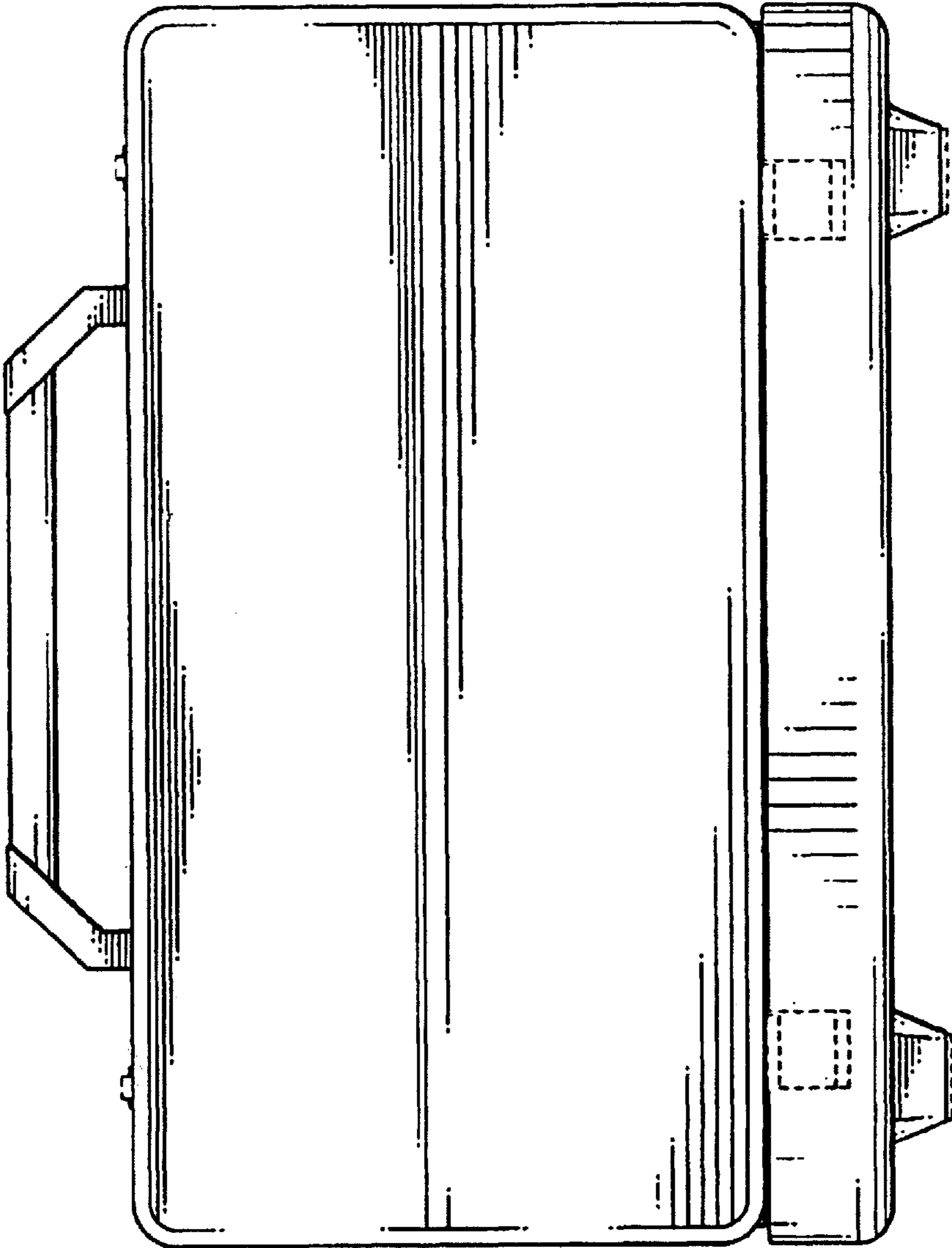


FIG. 9

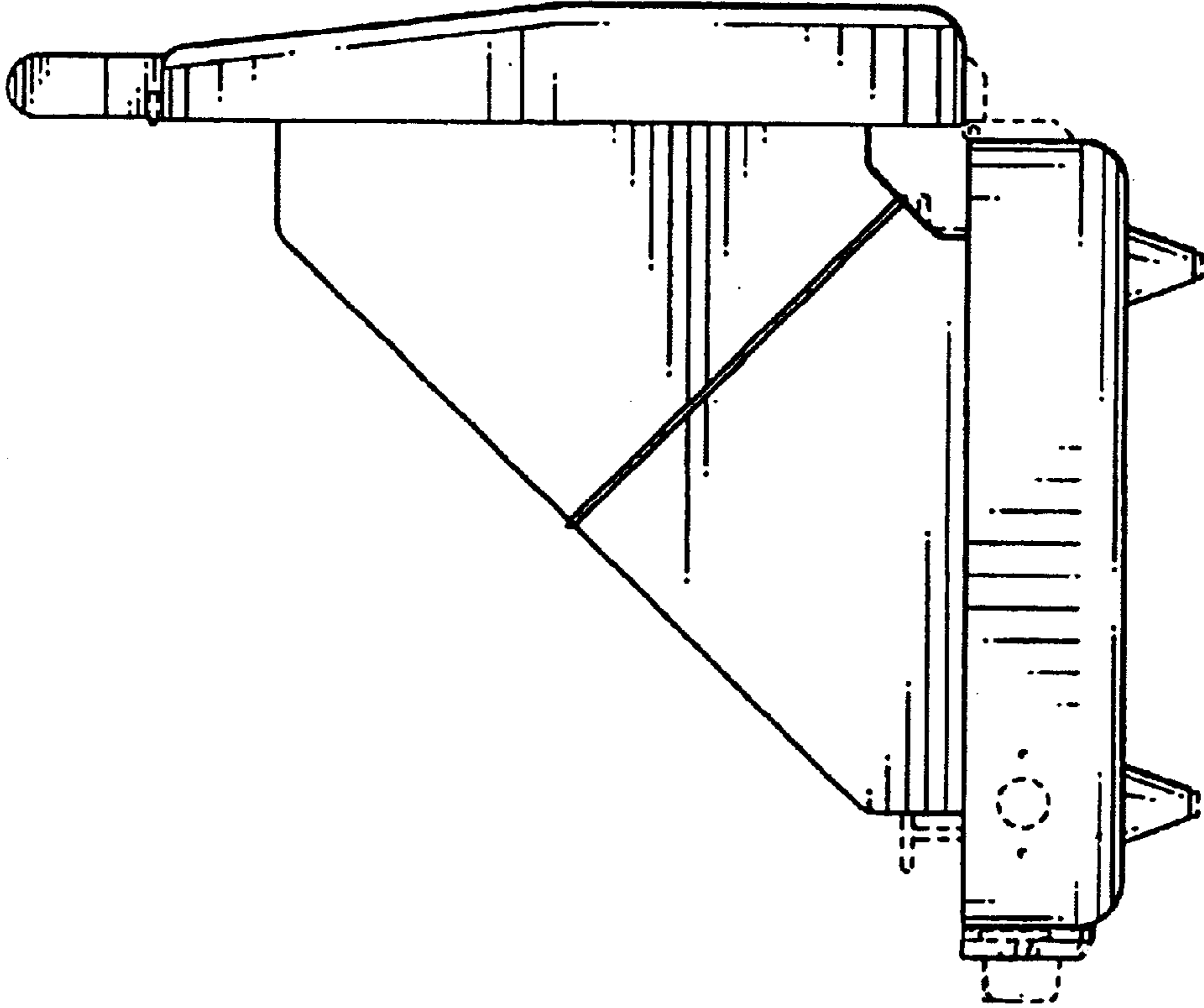


FIG. 10

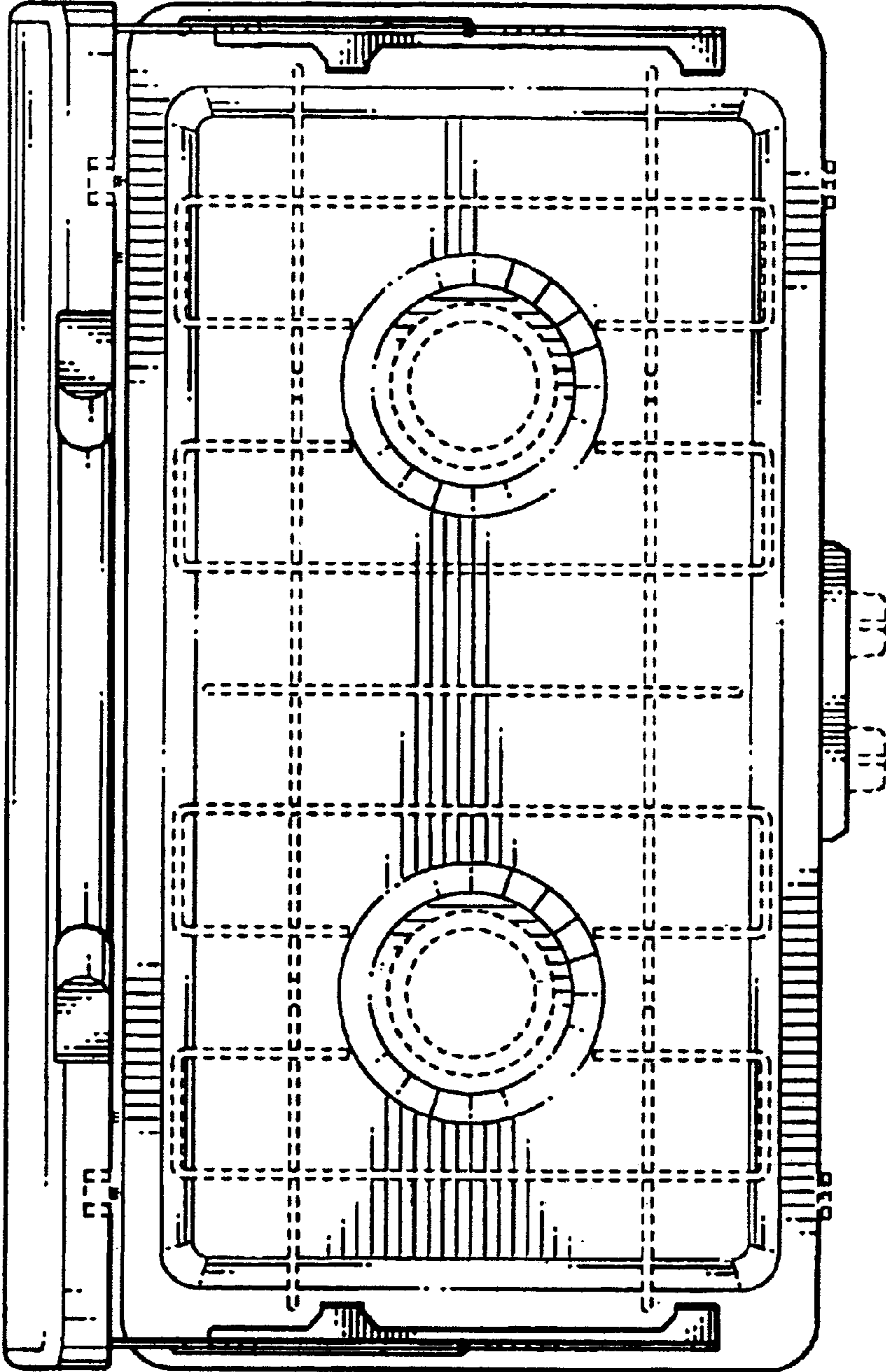


FIG. 11

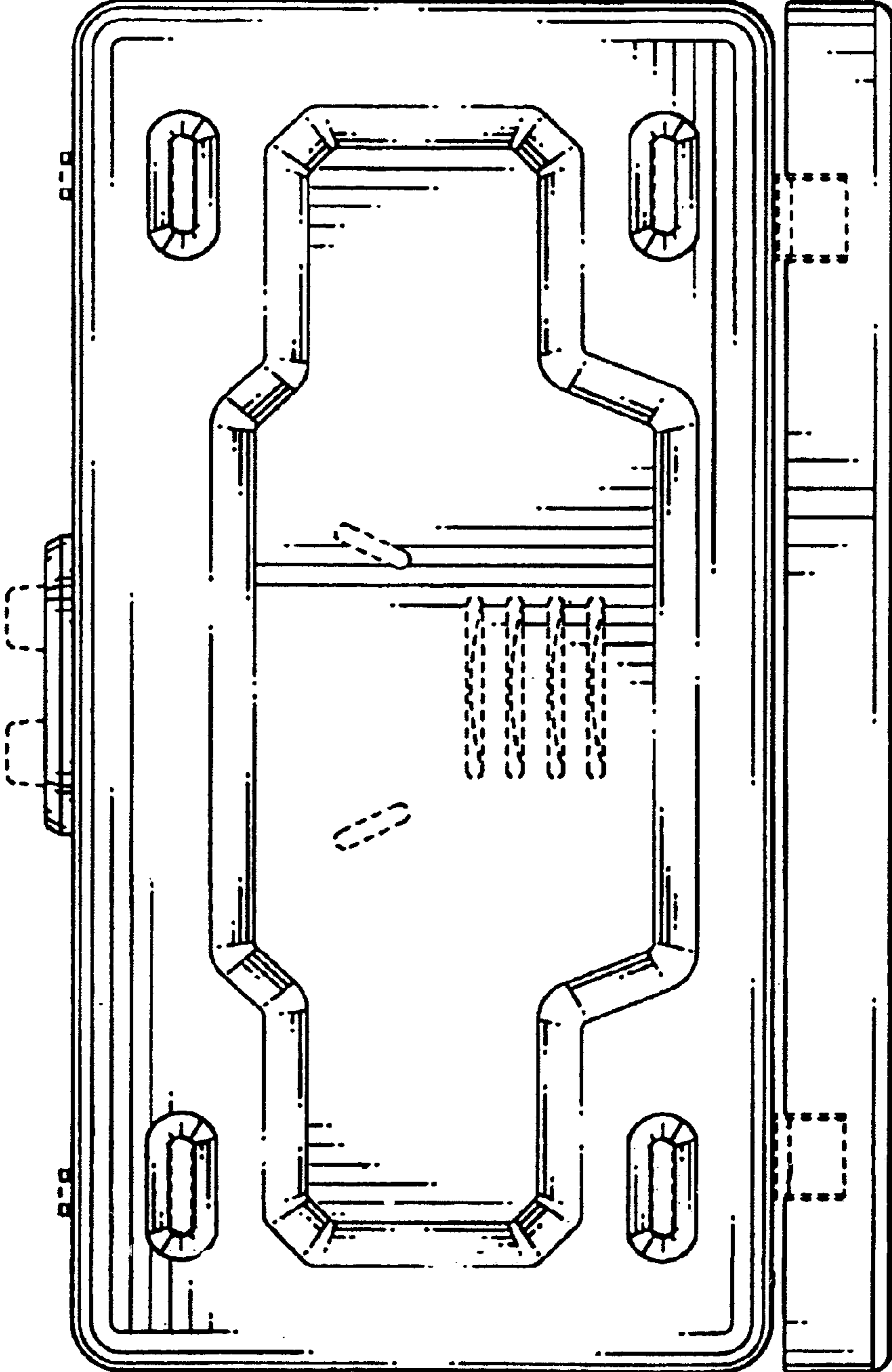


FIG. 12

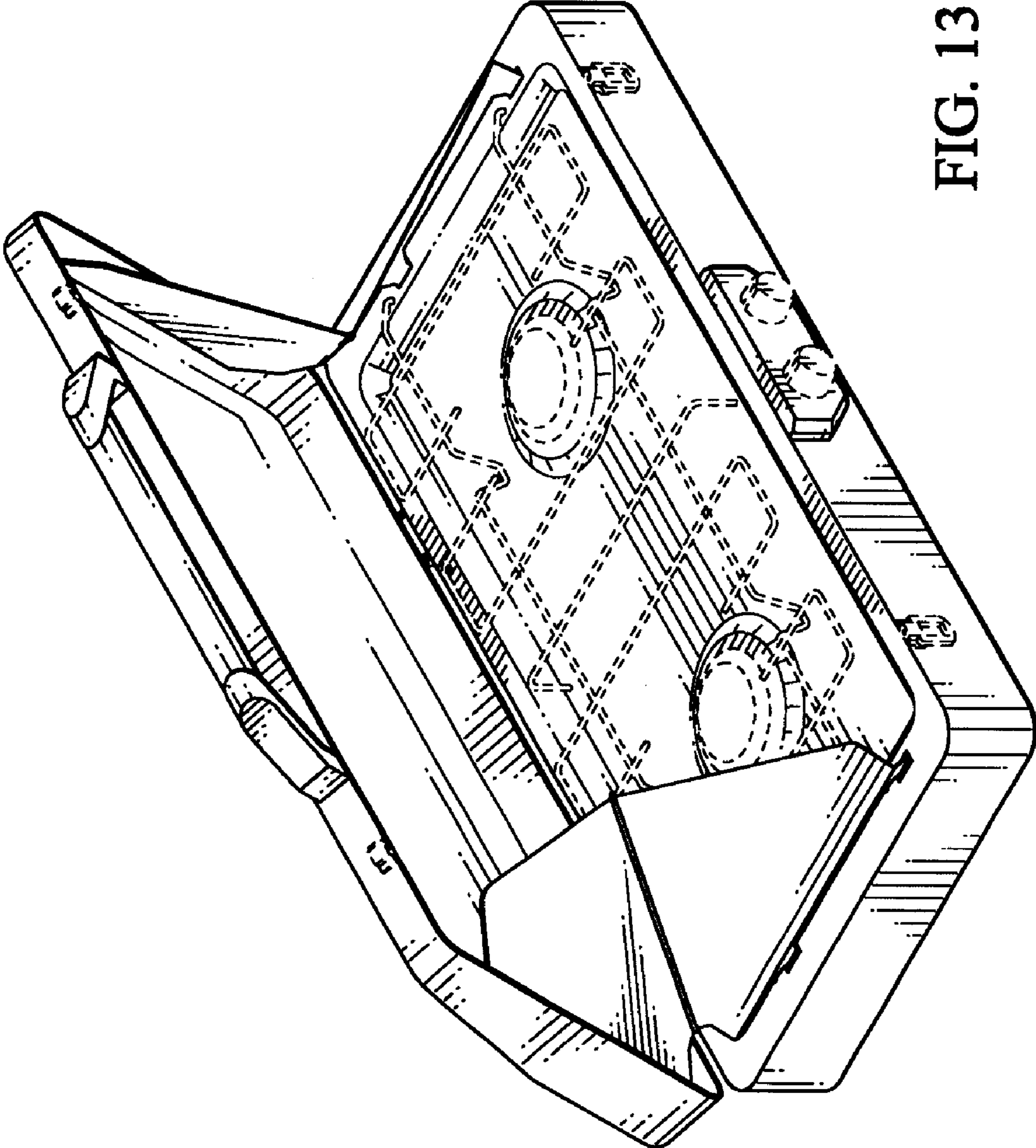


FIG. 13

UNITED STATES PATENT AND TRADEMARK OFFICE  
**CERTIFICATE OF CORRECTION**

PATENT NO. : Des. 514,871 S  
DATED : February 14, 2006  
INVENTOR(S) : Randall Lynn May et al.

Page 1 of 1

It is certified that error appears in the above-identified patent and that said Letters Patent is hereby corrected as shown below:

Title page.

Item [73], Assignee, change “**The Brinkman Corporation**” to -- **The Brinkmann Corporation** --.

Signed and Sealed this

Eighteenth Day of April, 2006

A handwritten signature in black ink on a light gray dotted background. The signature reads "Jon W. Dudas" in a cursive style.

JON W. DUDAS

*Director of the United States Patent and Trademark Office*