



US00D514868S

(12) **United States Design Patent** (10) **Patent No.:** **US D514,868 S**
Achenbach et al. (45) **Date of Patent:** **** Feb. 14, 2006**

(54) **PITCHER**

(75) Inventors: **Jay K. Achenbach**, Toledo, OH (US);
Pete D. Kasper, Sylvania, OH (US)

(73) Assignee: **Libbey Glass Inc.**, Toledo, OH (US)

(**) Term: **14 Years**

(21) Appl. No.: **29/204,348**

(22) Filed: **Apr. 28, 2004**

(51) **LOC (8) Cl.** **07-01**

(52) **U.S. Cl.** **D7/318**

(58) **Field of Classification Search** D7/321,
D7/316, 317, 318, 319, 600, 312, 629, 531,
D7/536; 220/227, 216, 504, 574, 835, 592.16;
D10/46.2; 210/85; 215/314, 398, 612.1, 364;
116/297, 298; D23/209, 207; 222/494.1,
222/572, 478, 189.07, 465.1, 131
See application file for complete search history.

(56) **References Cited**

U.S. PATENT DOCUMENTS

D43,854 S	*	4/1913	Sanford	D7/319
D97,924 S	*	12/1935	Cowan	D7/319
3,817,430 A	*	6/1974	Borin	222/494
3,861,565 A	*	1/1975	Rickmeier, Jr.	222/131
D243,579 S	*	3/1977	Benes	D7/319
D248,205 S	*	6/1978	Schreckengost	D7/319
D270,602 S	*	9/1983	Fritz	D7/319
4,655,373 A	*	4/1987	Essen	222/465.1
D292,664 S	*	11/1987	Zimmermann	D7/317
D293,871 S	*	1/1988	Turner et al.	D7/318
D296,973 S	*	8/1988	Pozzi	D7/317
D309,077 S	*	7/1990	Pomroy	D7/318
D310,461 S	*	9/1990	Durand	D7/318
D319,368 S	*	8/1991	Picozza et al.	D7/317
D323,093 S	*	1/1992	Picozza et al.	D7/319
5,190,643 A	*	3/1993	Duncan et al.	210/85
D435,995 S	*	1/2001	Mano	D7/318

D441,247 S	*	5/2001	Beam	D7/305
D452,296 S	*	12/2001	Egnell et al.	D23/209
D480,904 S	*	10/2003	Backes et al.	D7/318

OTHER PUBLICATIONS

Libbey Foodservice Glassware 2003 Catalog, Libbey Inc., 2003, pp. 41, 50–52 and 92.

* cited by examiner

Primary Examiner—M. N. Pandozzi

(74) *Attorney, Agent, or Firm*—MacMillan, Sobanski & Todd, LLC

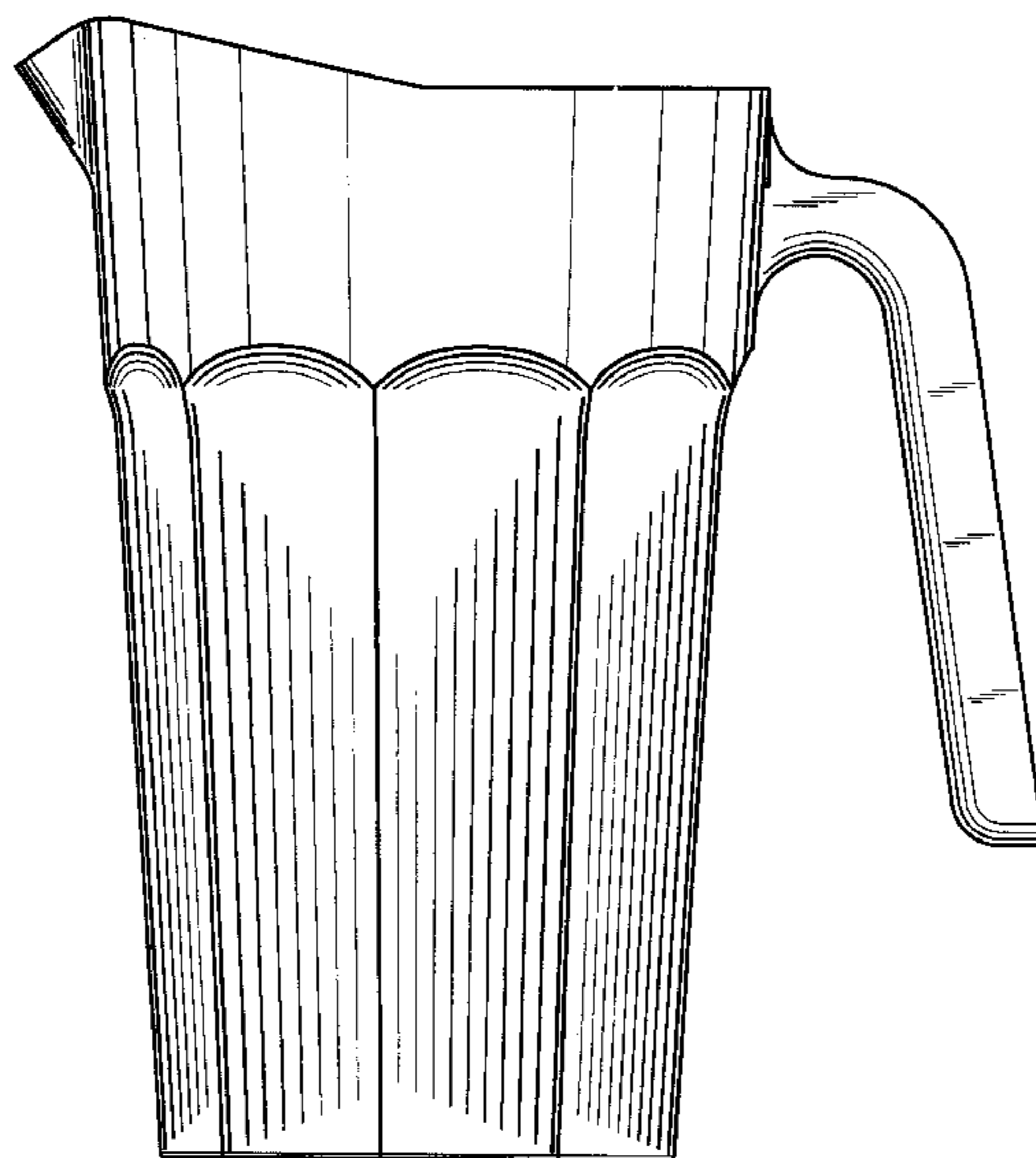
(57) **CLAIM**

The ornamental design for a pitcher, as shown and described.

DESCRIPTION

FIG. 1 is a front elevational view of a pitcher according to the present design;
FIG. 2 is a first side elevational view thereof;
FIG. 3 is a back elevational view thereof;
FIG. 4 is a second side elevational view thereof;
FIG. 5 is a top plan view thereof;
FIG. 6 is a bottom plan view thereof;
FIG. 7 is a cross-sectional view taken along line 7—7 of FIG. 2;
FIG. 8 is a front elevational view of an alternative embodiment pitcher according to the present design;
FIG. 9 is a first side elevational view thereof;
FIG. 10 is a back elevational view thereof;
FIG. 11 is a second side elevational view thereof;
FIG. 12 is a top plan view thereof; and,
FIG. 13 is a bottom plan view thereof.
The cross-sectional view of the alternative embodiment shown in FIGS. 8–13 is the same as shown in FIG. 7.
The shading shown in FIGS. 8–13 represents a frosted surface.

1 Claim, 11 Drawing Sheets



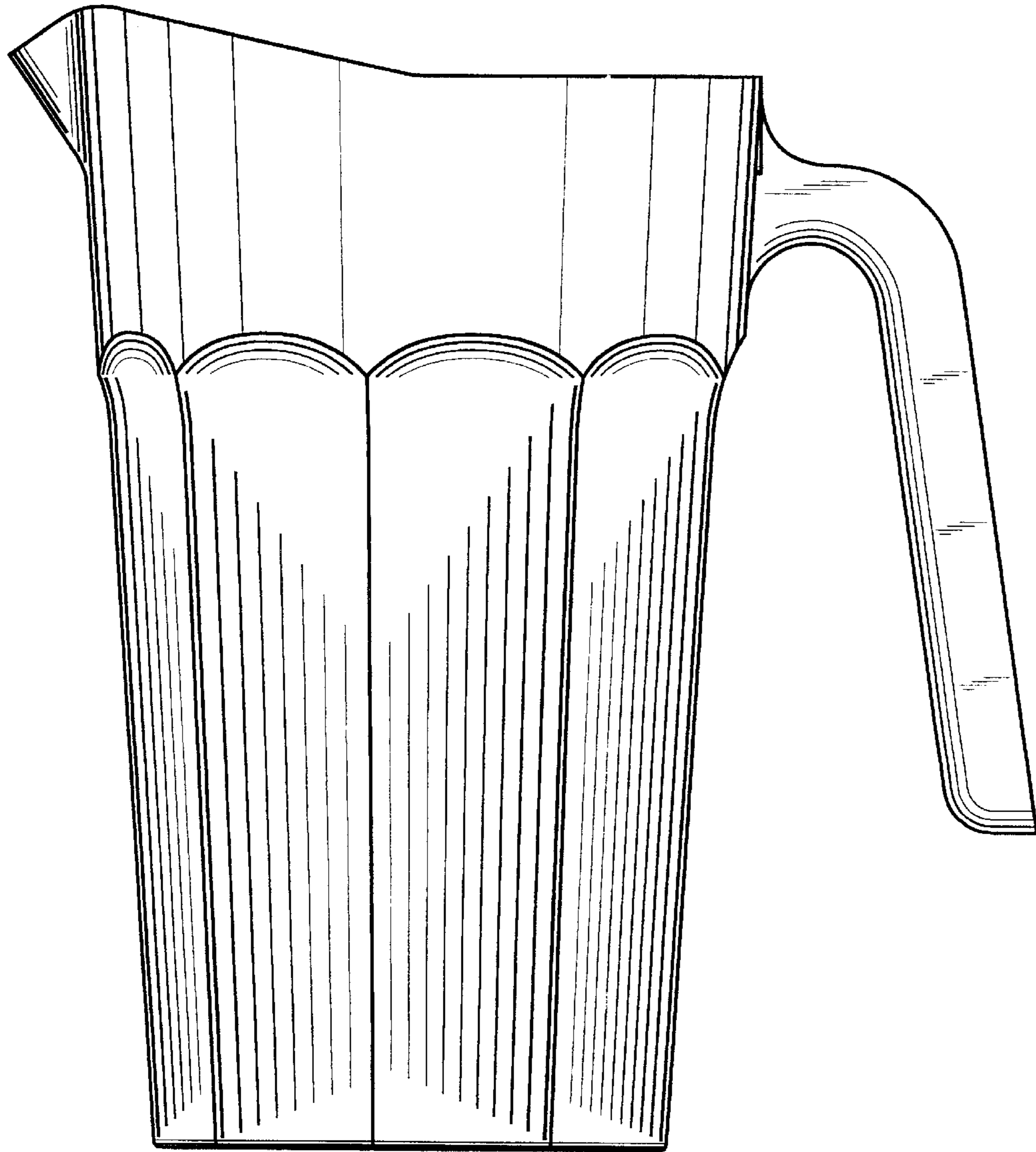


FIG. 1

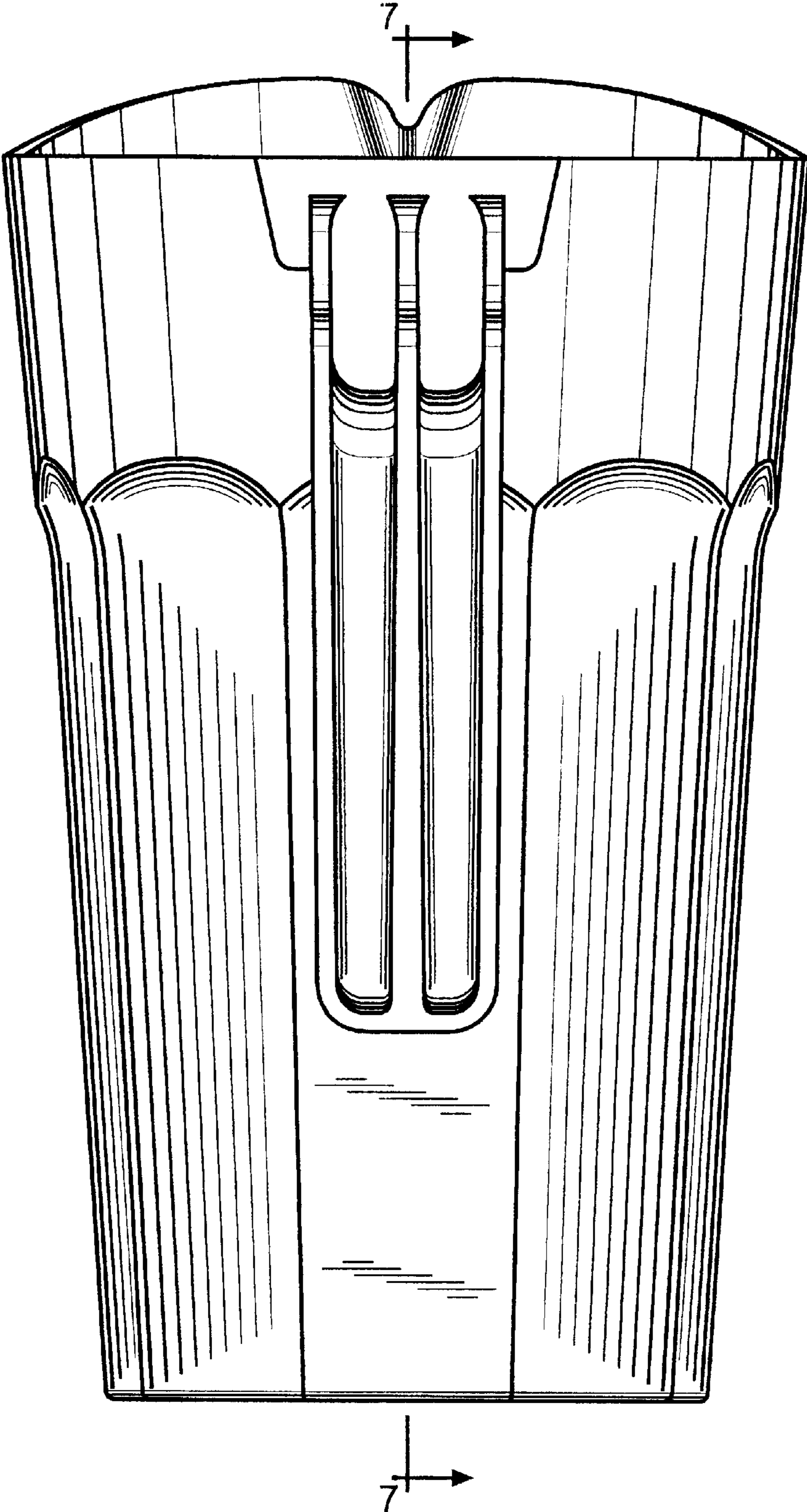


FIG. 2

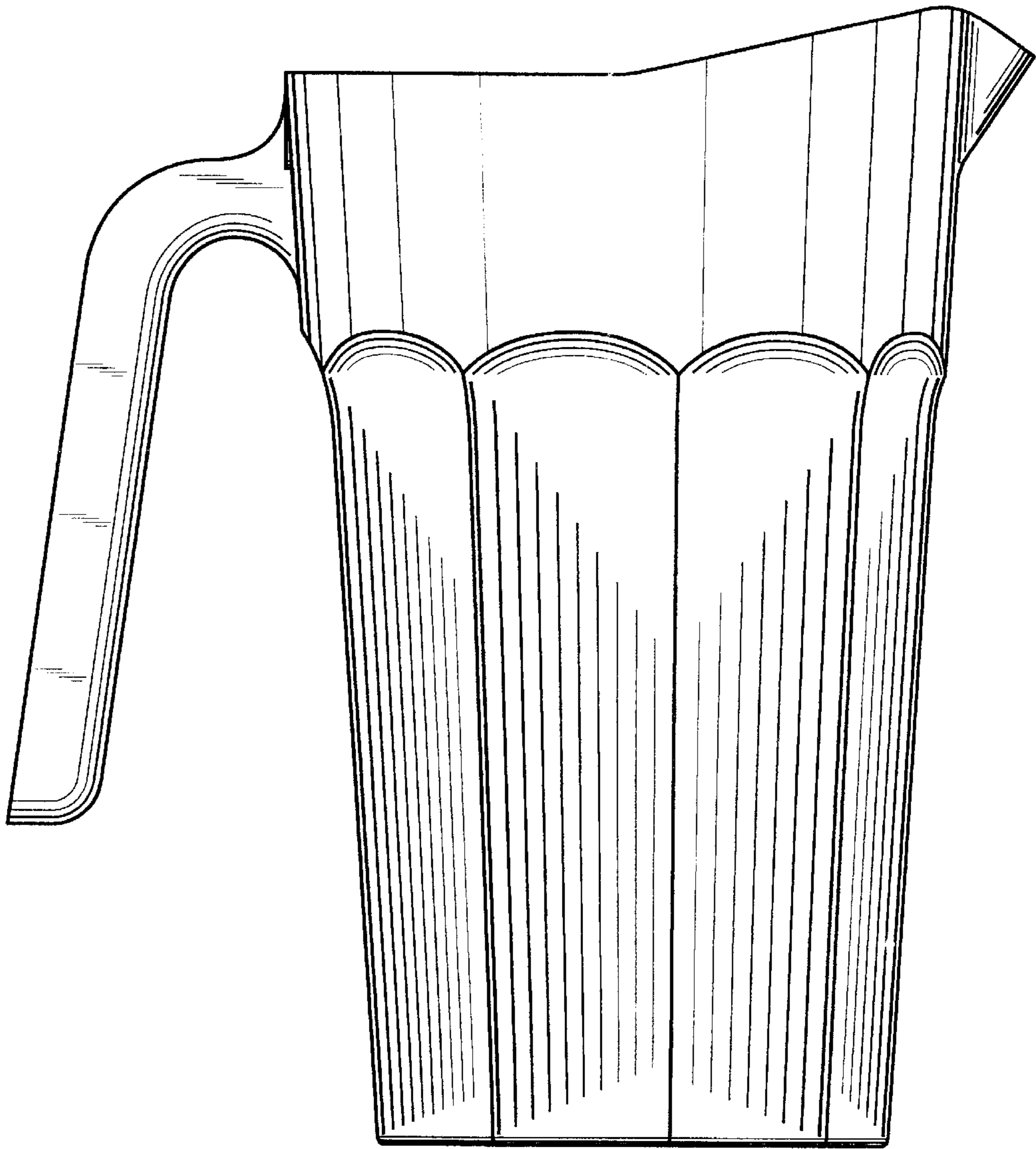
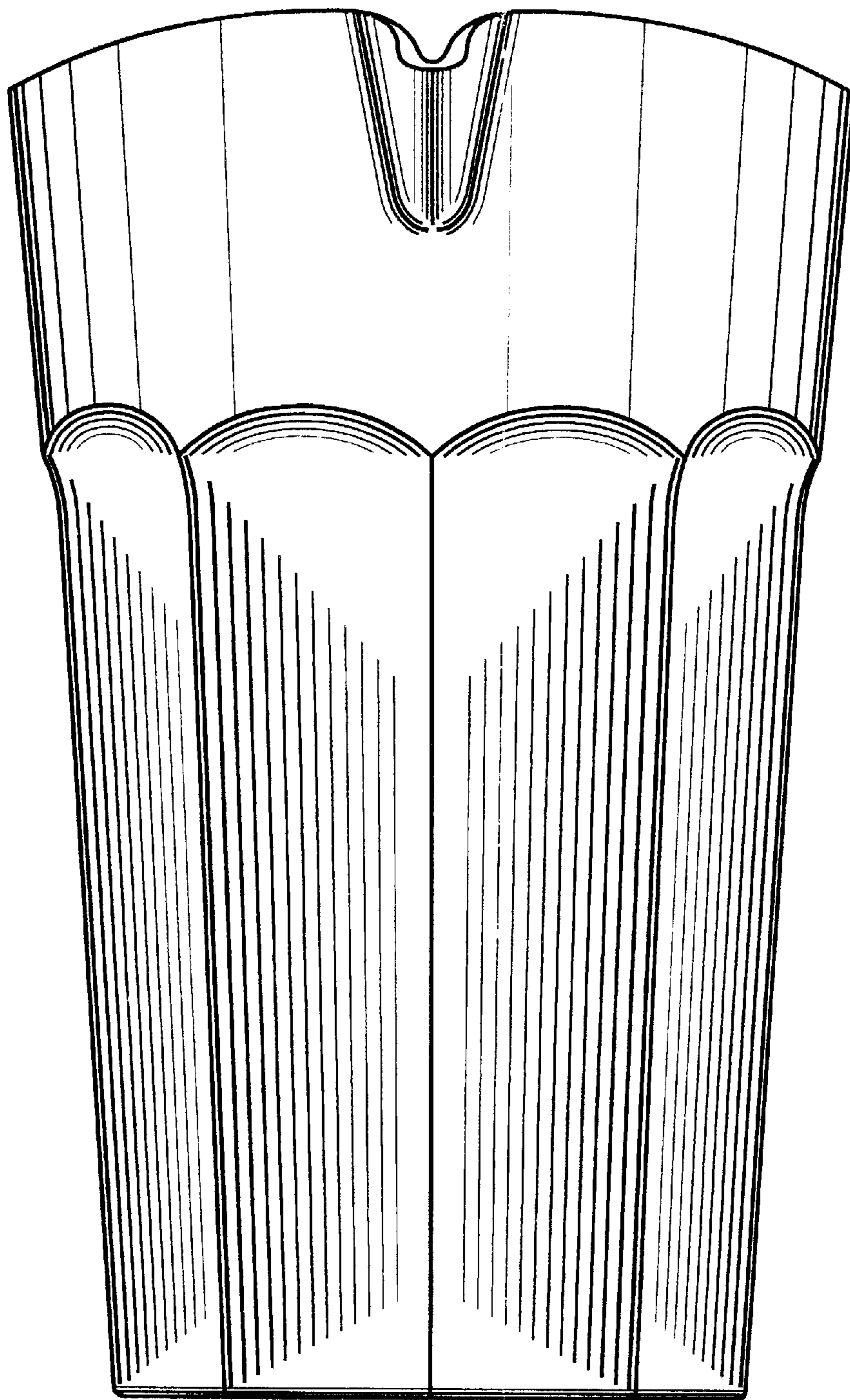


FIG. 3



— FIG. 4

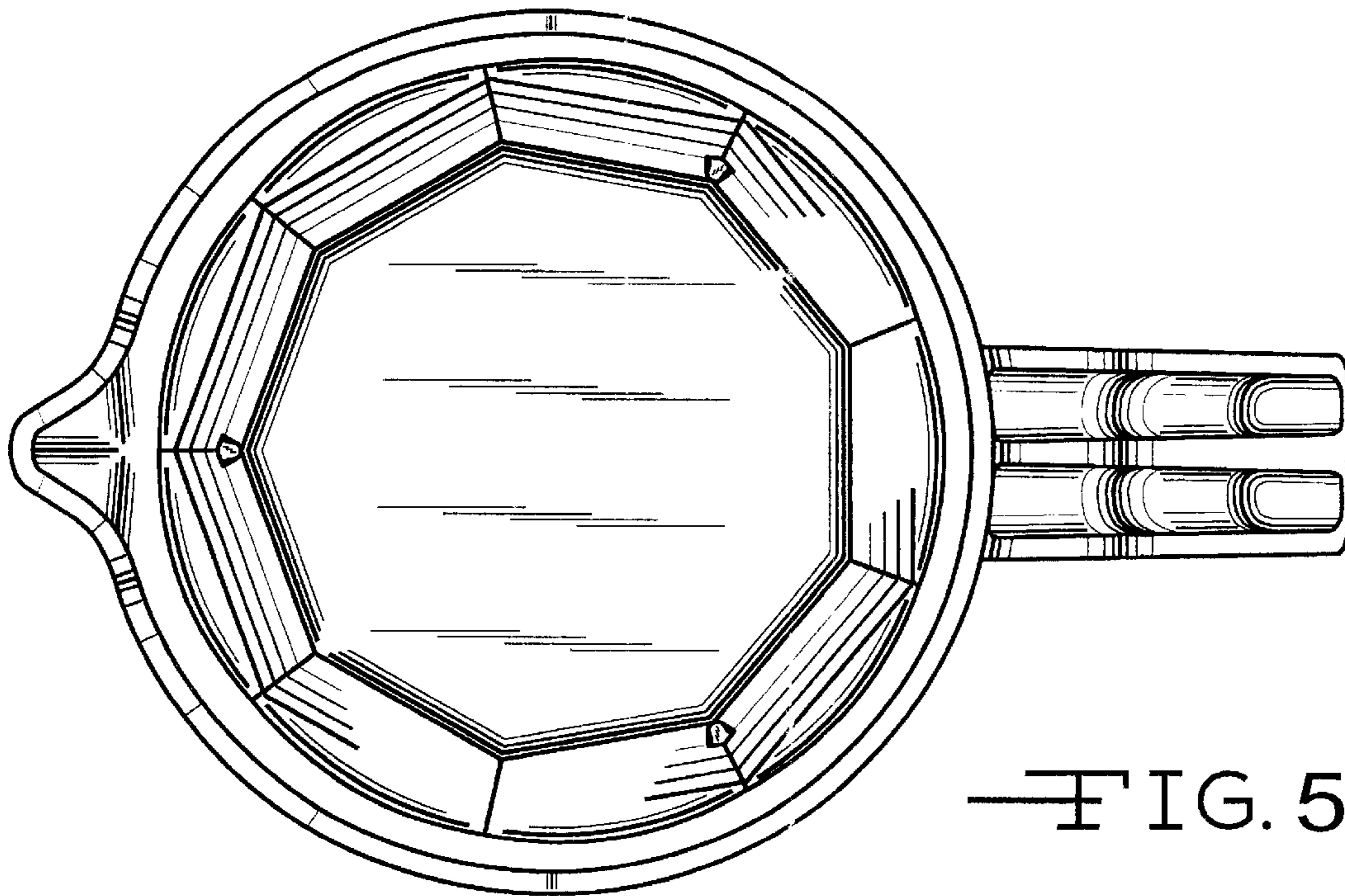


FIG. 5

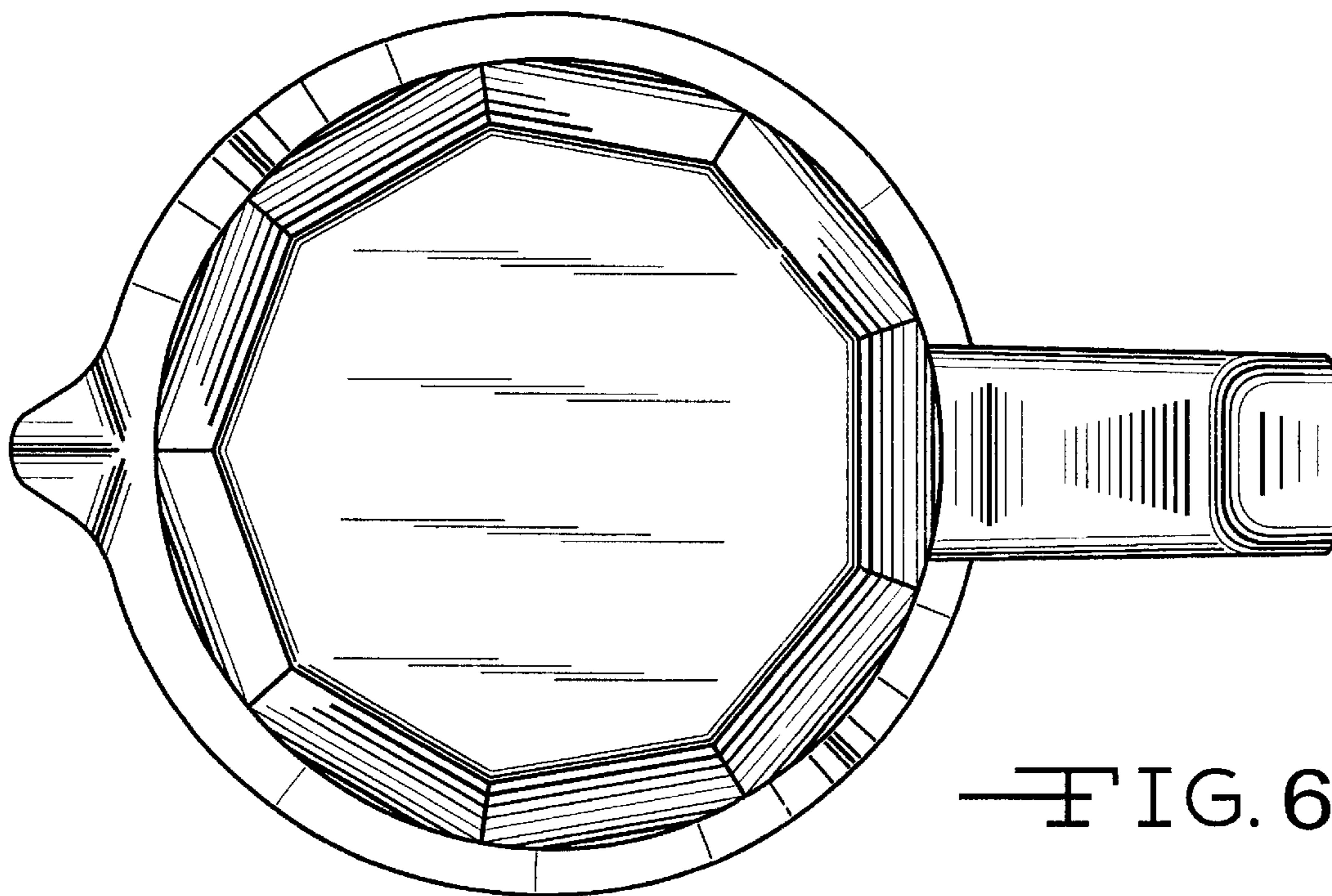


FIG. 6

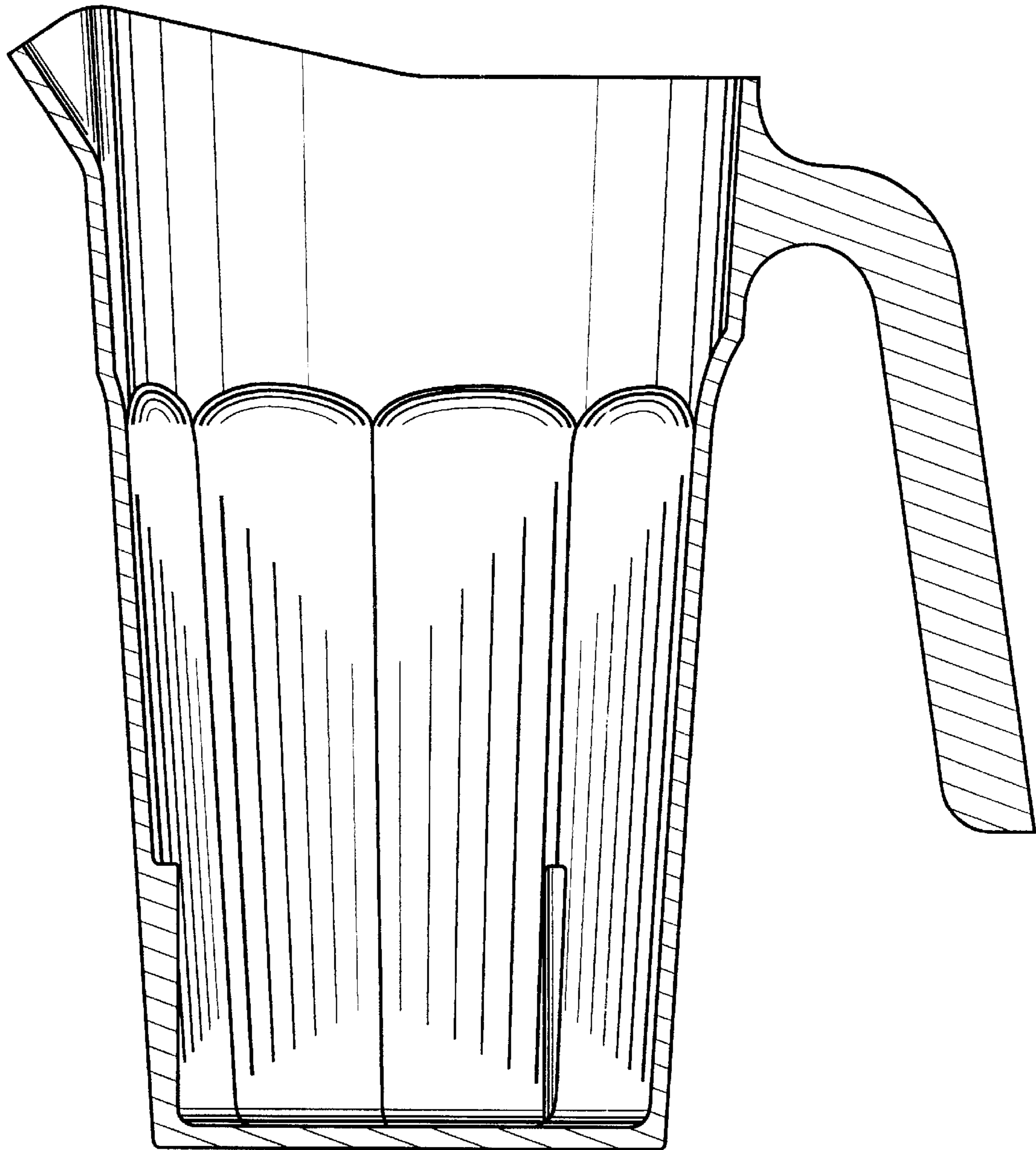
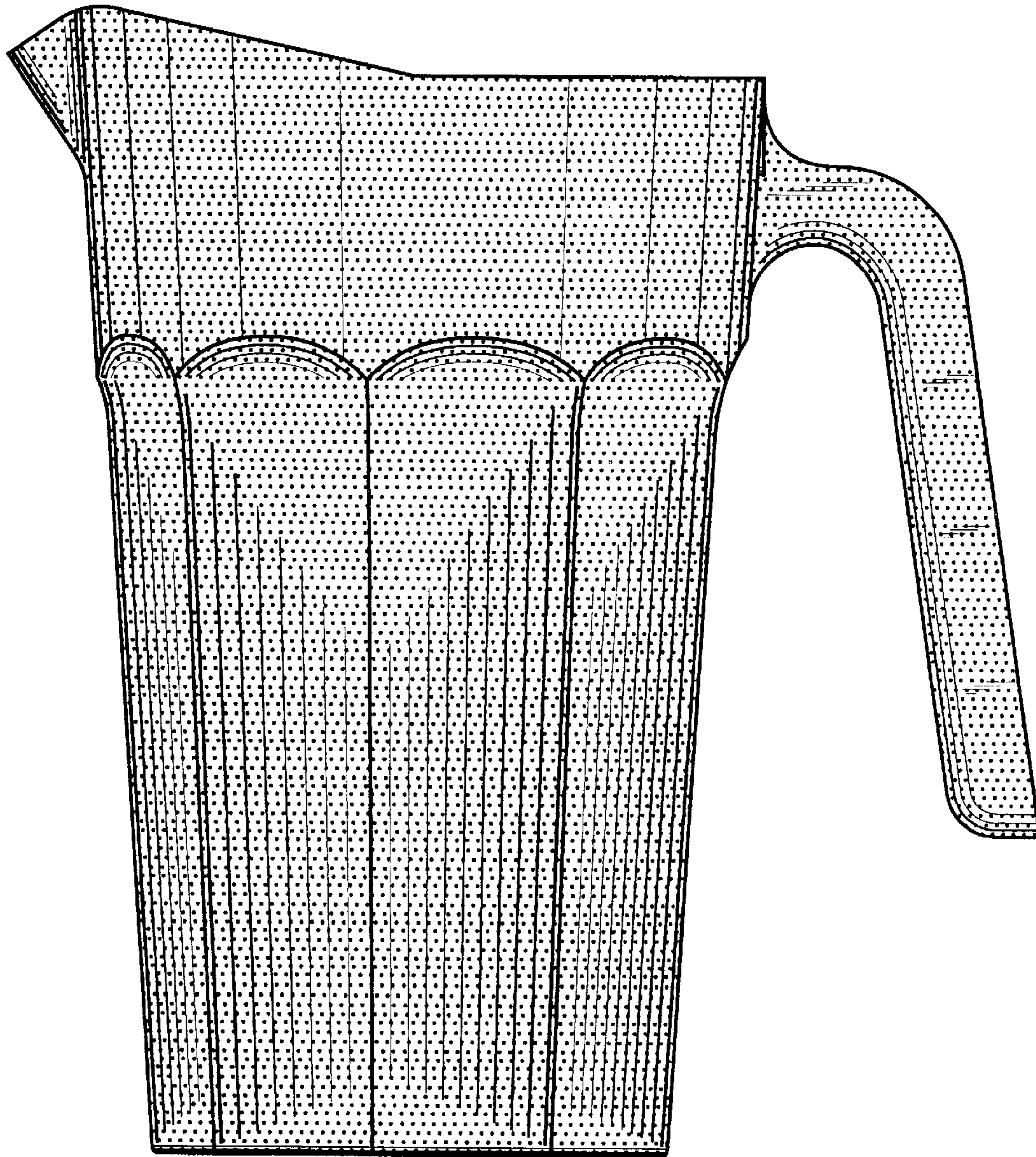
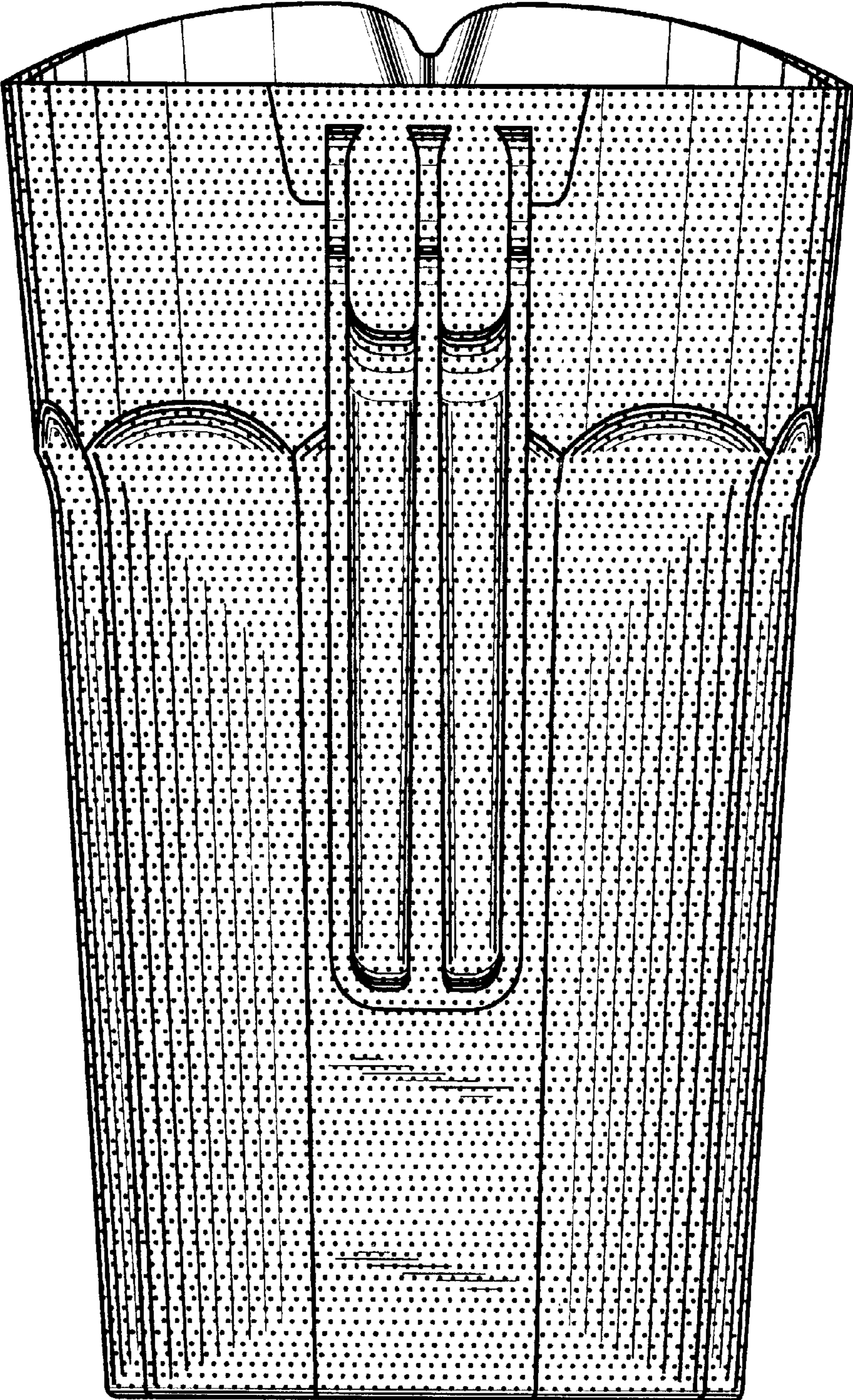


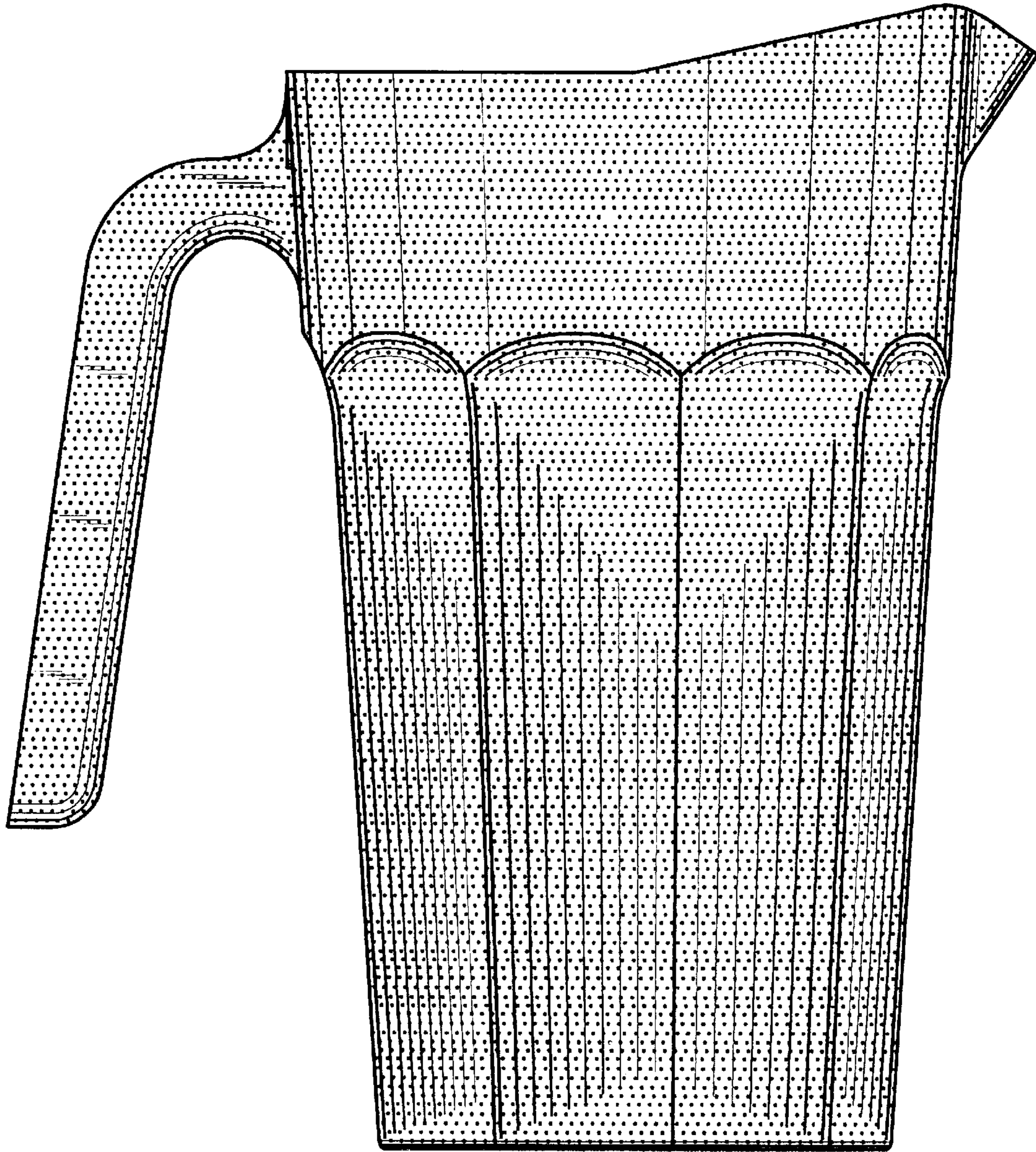
FIG. 7



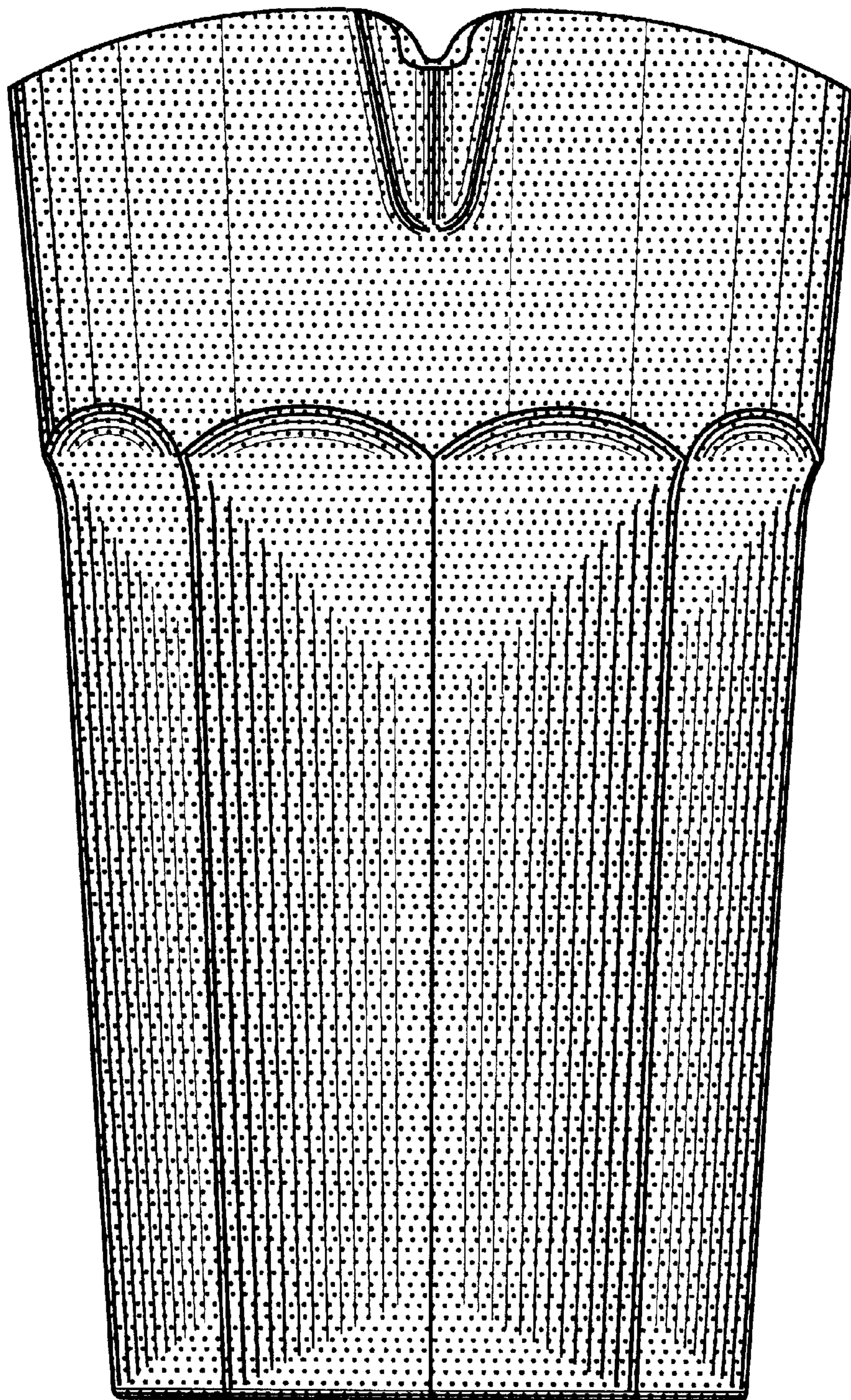
—FIG. 8



—FIG. 9



—FIG. 10



—FIG. 11

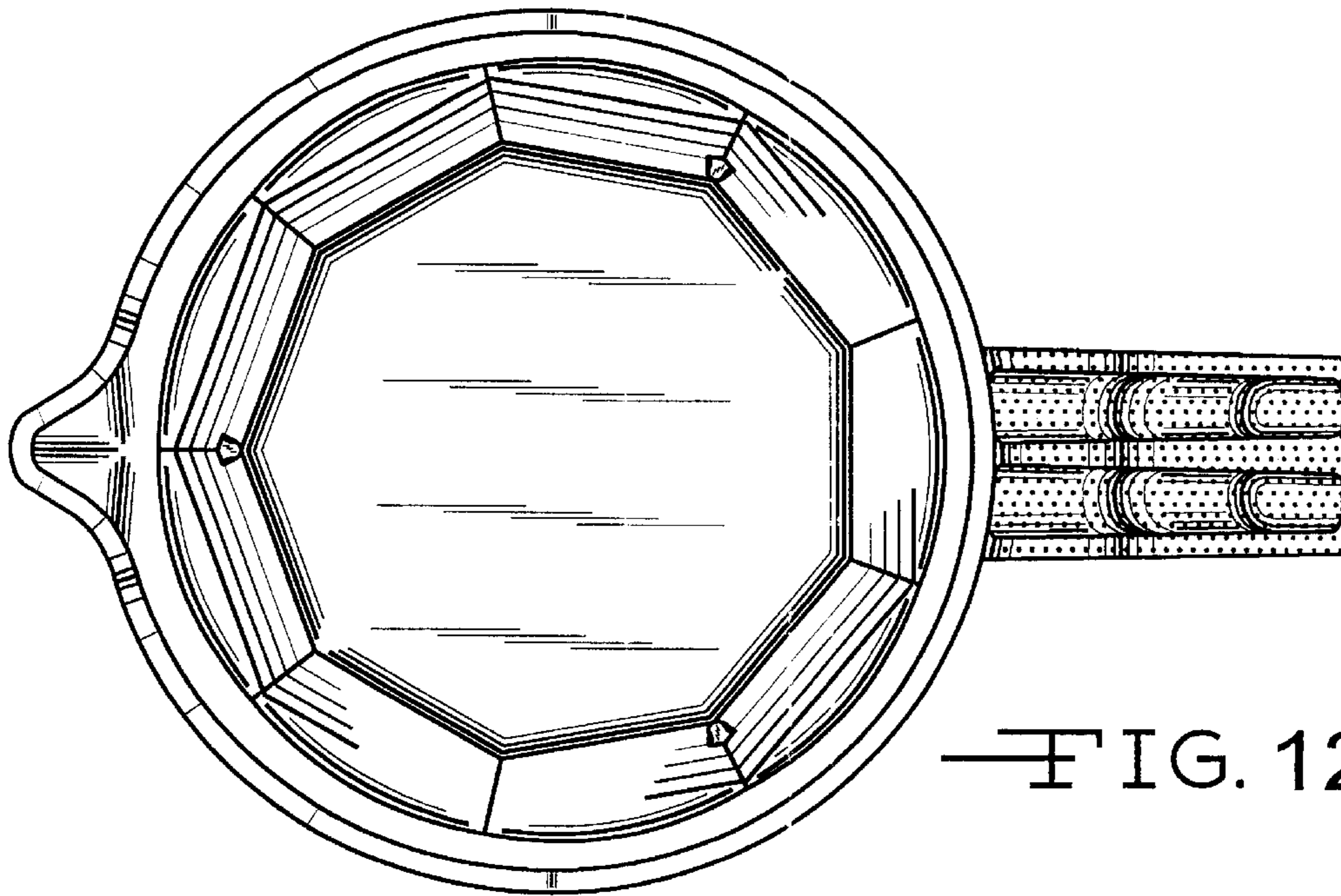


FIG. 12

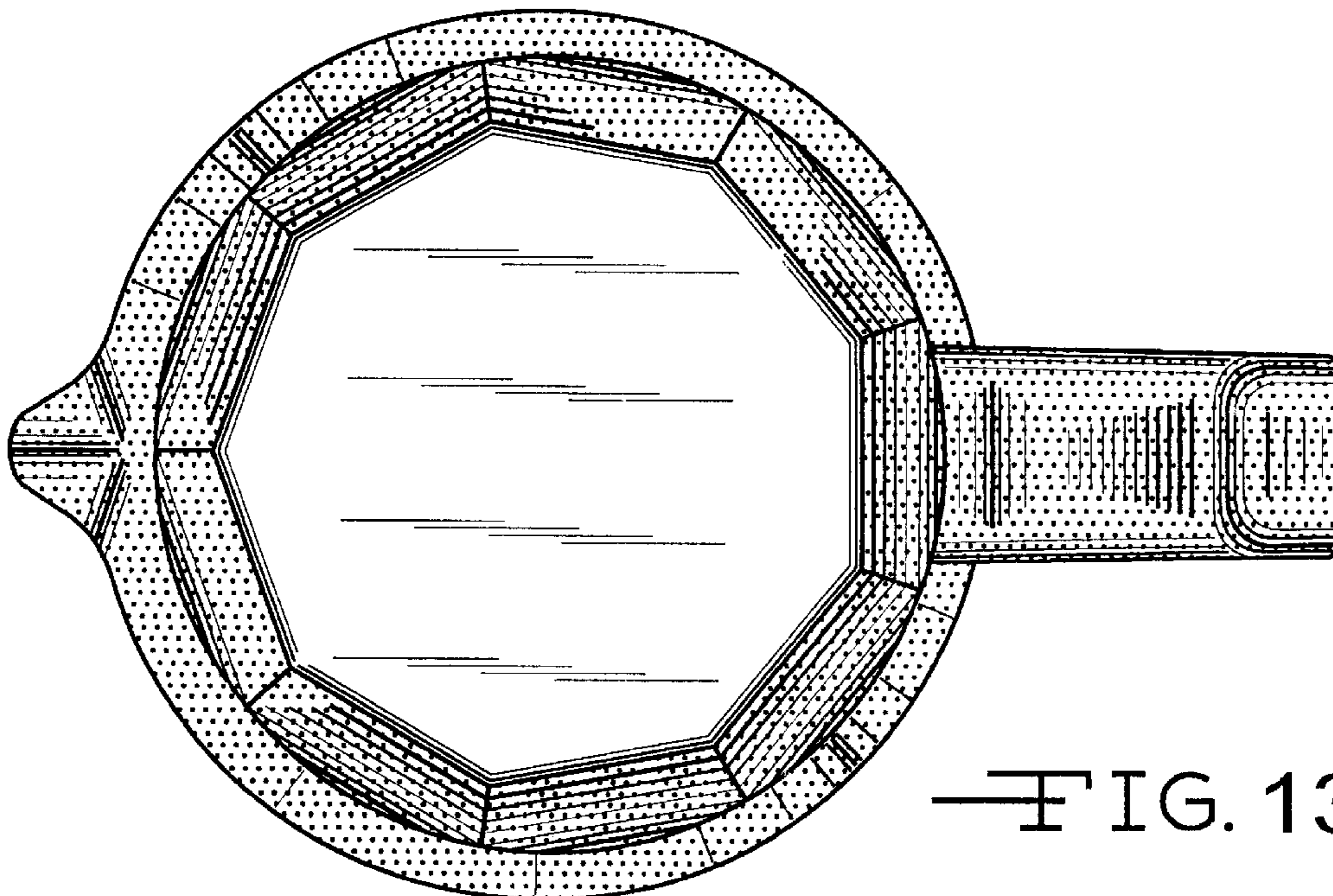


FIG. 13