



US00D514867S

(12) **United States Design Patent**  
**Steiner**

(10) **Patent No.:** **US D514,867 S**

(45) **Date of Patent:** **\*\* Feb. 14, 2006**

- (54) **COFFEE MAKER**
- (75) Inventor: **Mark C. Steiner**, Richmond, VA (US)
- (73) Assignee: **Hamilton Beach/Proctor-Silex**, Glen Allen, VA (US)
- (\*\*) Term: **14 Years**
- (21) Appl. No.: **29/225,631**
- (22) Filed: **Mar. 18, 2005**

- D449,197 S \* 10/2001 Byler ..... D7/309
- D449,955 S 11/2001 Leverrier
- D450,520 S 11/2001 Saltet
- D454,466 S \* 3/2002 Hong ..... D7/309
- D478,242 S 8/2003 Garman
- D478,461 S 8/2003 Hoard
- D483,214 S 12/2003 Holderfield et al.
- D485,728 S 1/2004 Sham et al.
- D488,663 S \* 4/2004 Price et al. .... D7/309
- D491,763 S 6/2004 Picozza et al.
- D495,190 S 8/2004 Picozza et al.

\* cited by examiner

- (51) **LOC (8) Cl.** ..... **07-01**
- (52) **U.S. Cl.** ..... **D7/309; D7/311**
- (58) **Field of Classification Search** ..... D7/300,  
D7/309, 310, 311, 305, 306; 368/47; 222/189.1,  
222/144, 129.1-129; 219/481, 433, 432;  
62/342; 426/524; 99/281, 300, 307, 305,  
99/287, 323.3, 280, 279, 295, 289 R  
See application file for complete search history.

*Primary Examiner*—M. N. Pandozzi  
(74) *Attorney, Agent, or Firm*—John H. Thomas, P.C.

(57) **CLAIM**

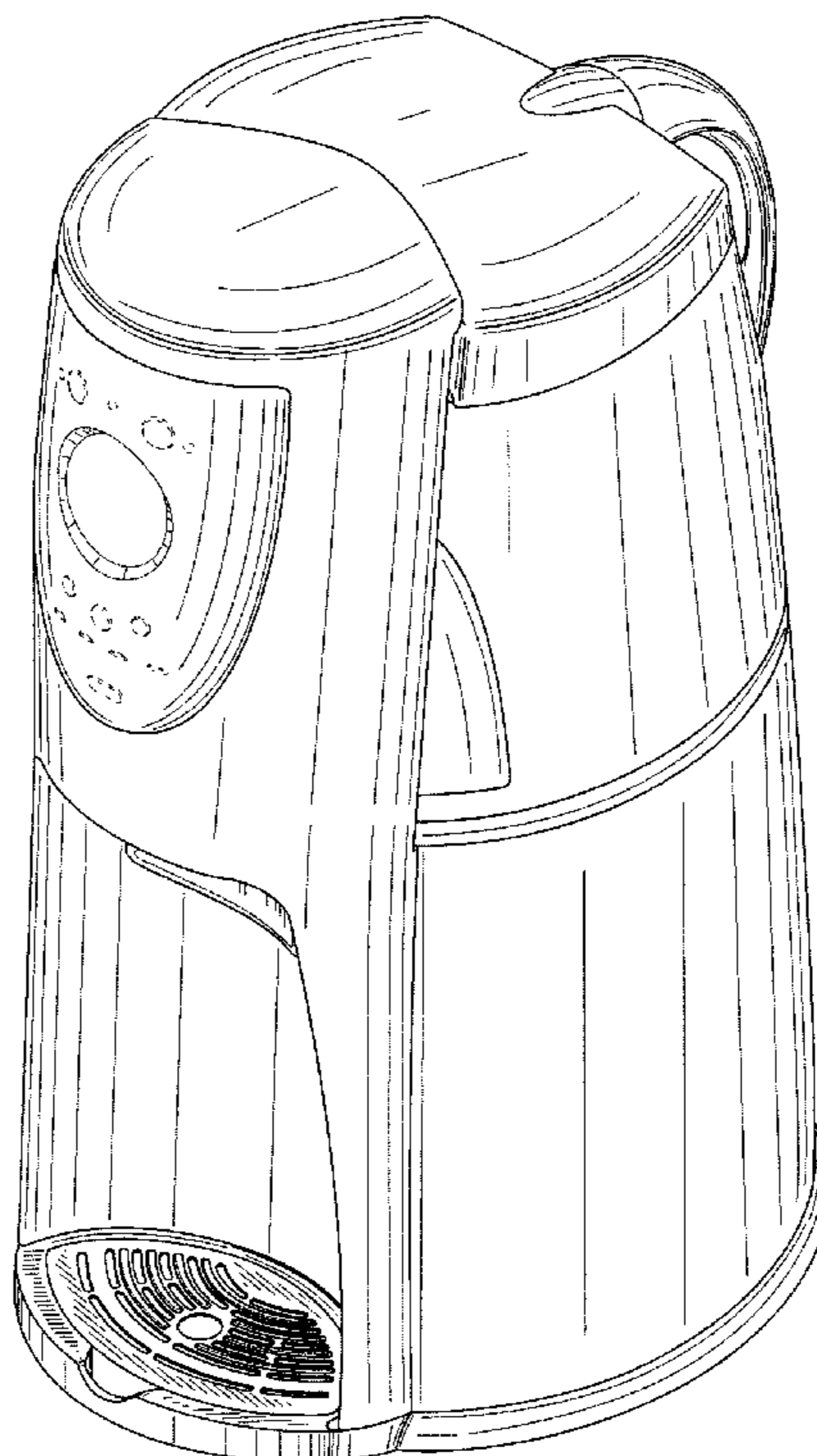
I claim the ornamental design for a coffee maker, as shown and described.

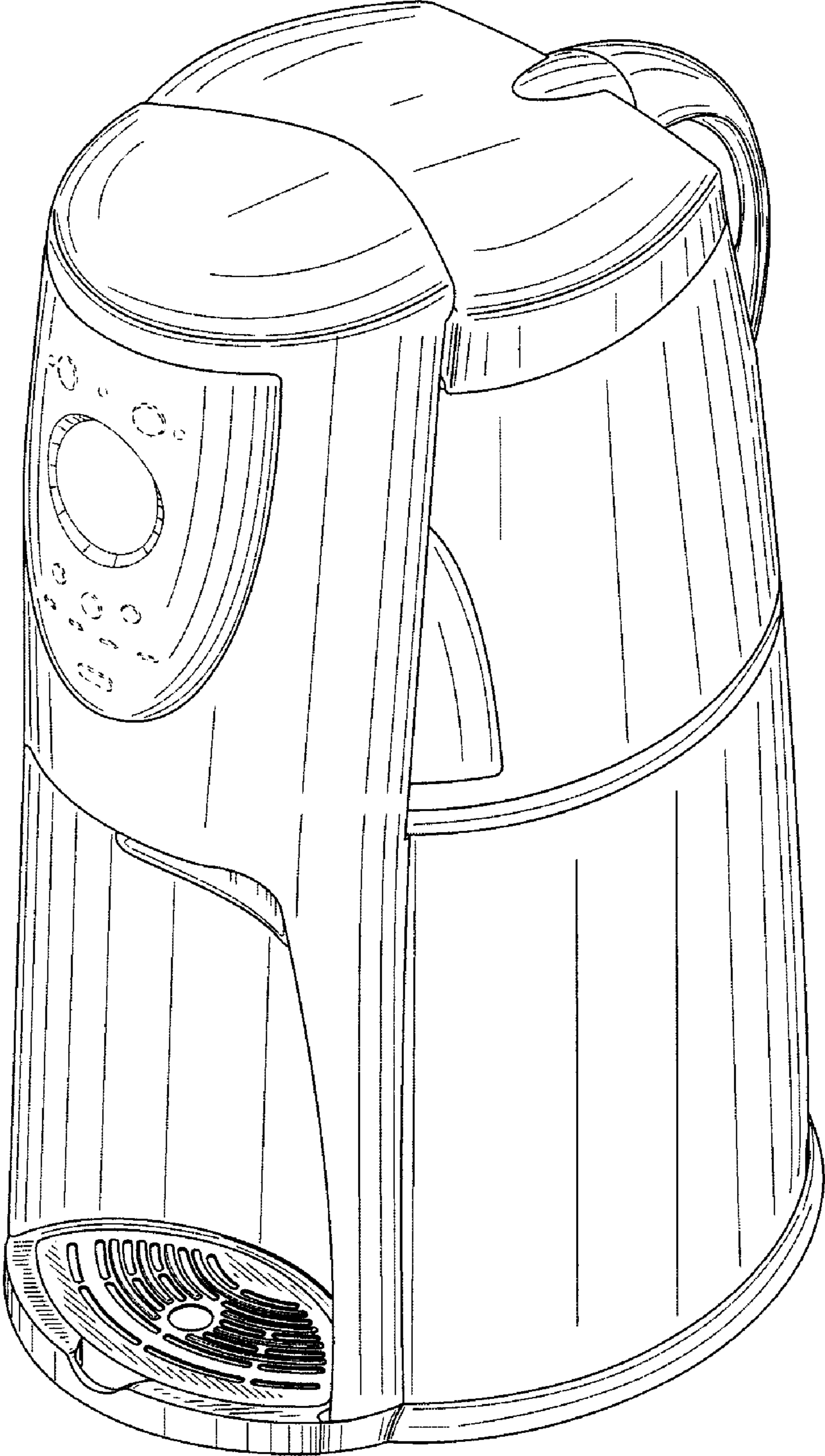
**DESCRIPTION**

FIG. 1 is a perspective view as seen from the top, front and right side of a coffee maker showing the new design; FIG. 2 is a front elevational view thereof; FIG. 3 is a rear elevational view thereof; FIG. 4 is a right side elevational view thereof; FIG. 5 is a left side elevational view thereof; FIG. 6 is a top plan view thereof; and, FIG. 7 is a bottom view thereof. The broken lines in the drawings are for illustrative purposes only and form no part of the claimed design.

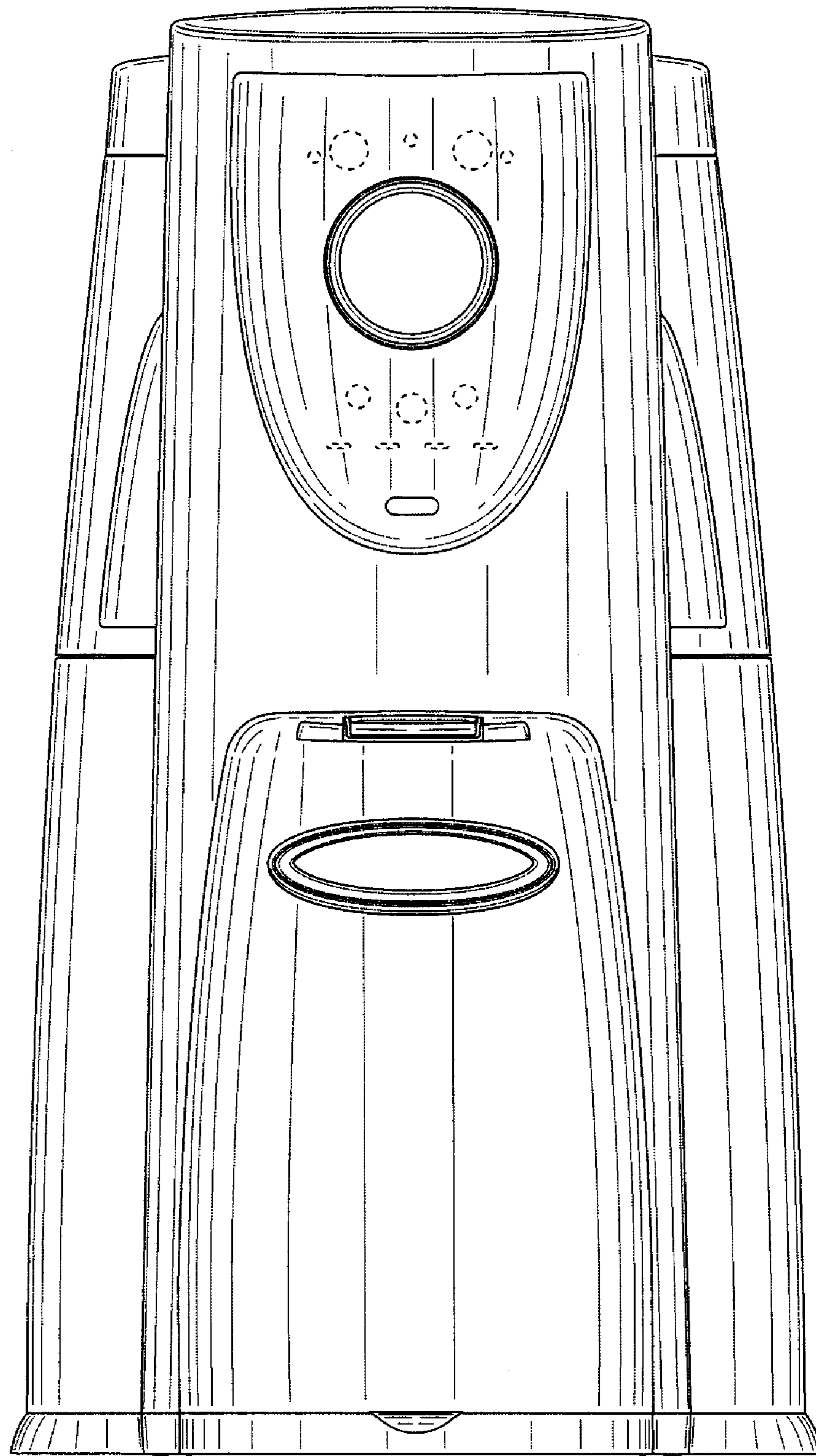
- (56) **References Cited**
- U.S. PATENT DOCUMENTS**
- D350,667 S \* 9/1994 Saltet ..... D7/309
- D377,290 S 1/1997 Saltet
- D381,237 S 7/1997 De'Longhi
- D390,061 S 2/1998 Mork et al.
- D397,904 S 9/1998 De'Longhi
- D417,358 S 12/1999 Dutruel
- D419,821 S \* 2/2000 Powell et al. .... D7/309
- D432,850 S 10/2000 Saltet
- D446,990 S 8/2001 Prat
- D449,196 S 10/2001 Bouhuys et al.

**1 Claim, 7 Drawing Sheets**

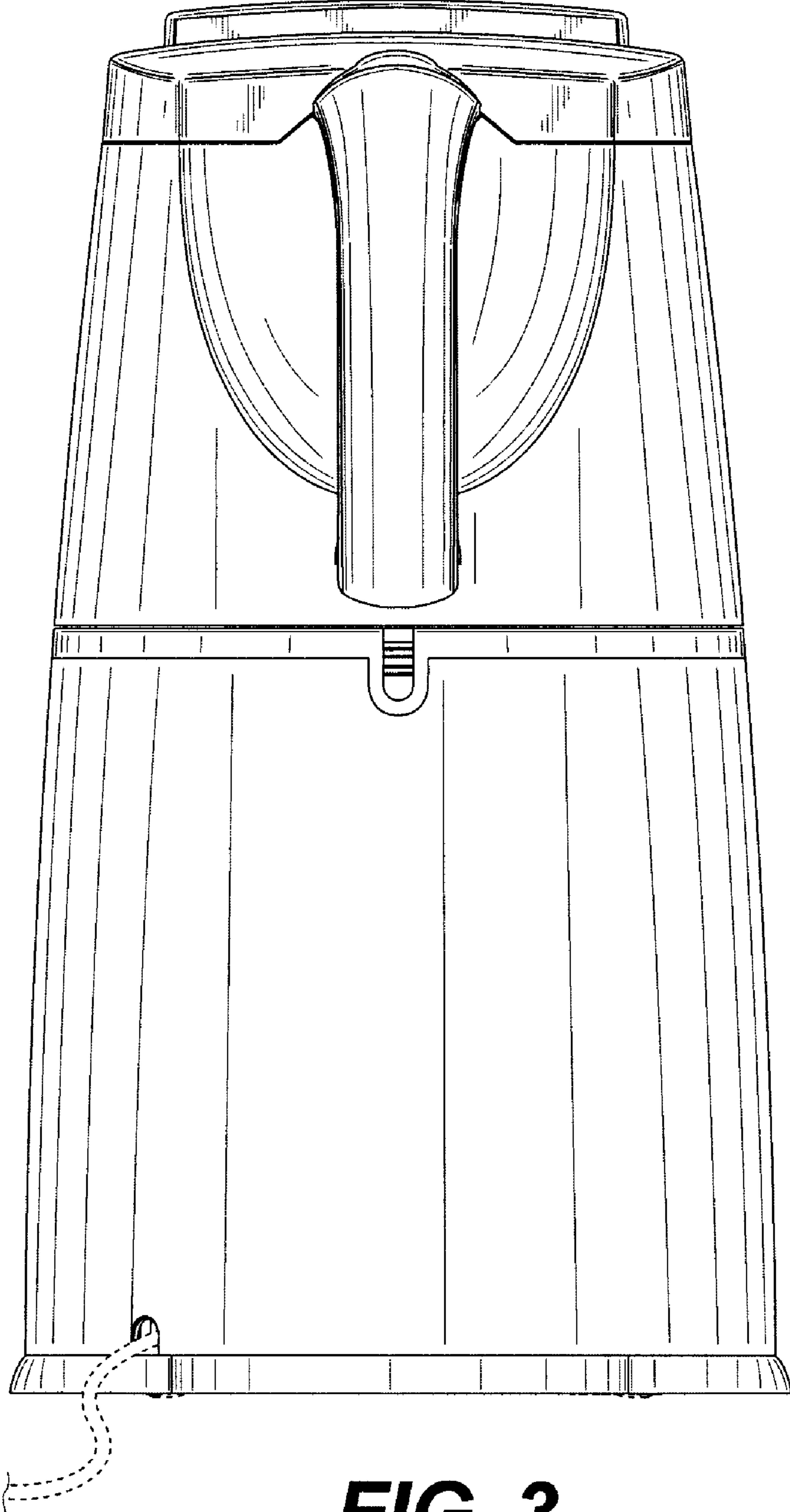




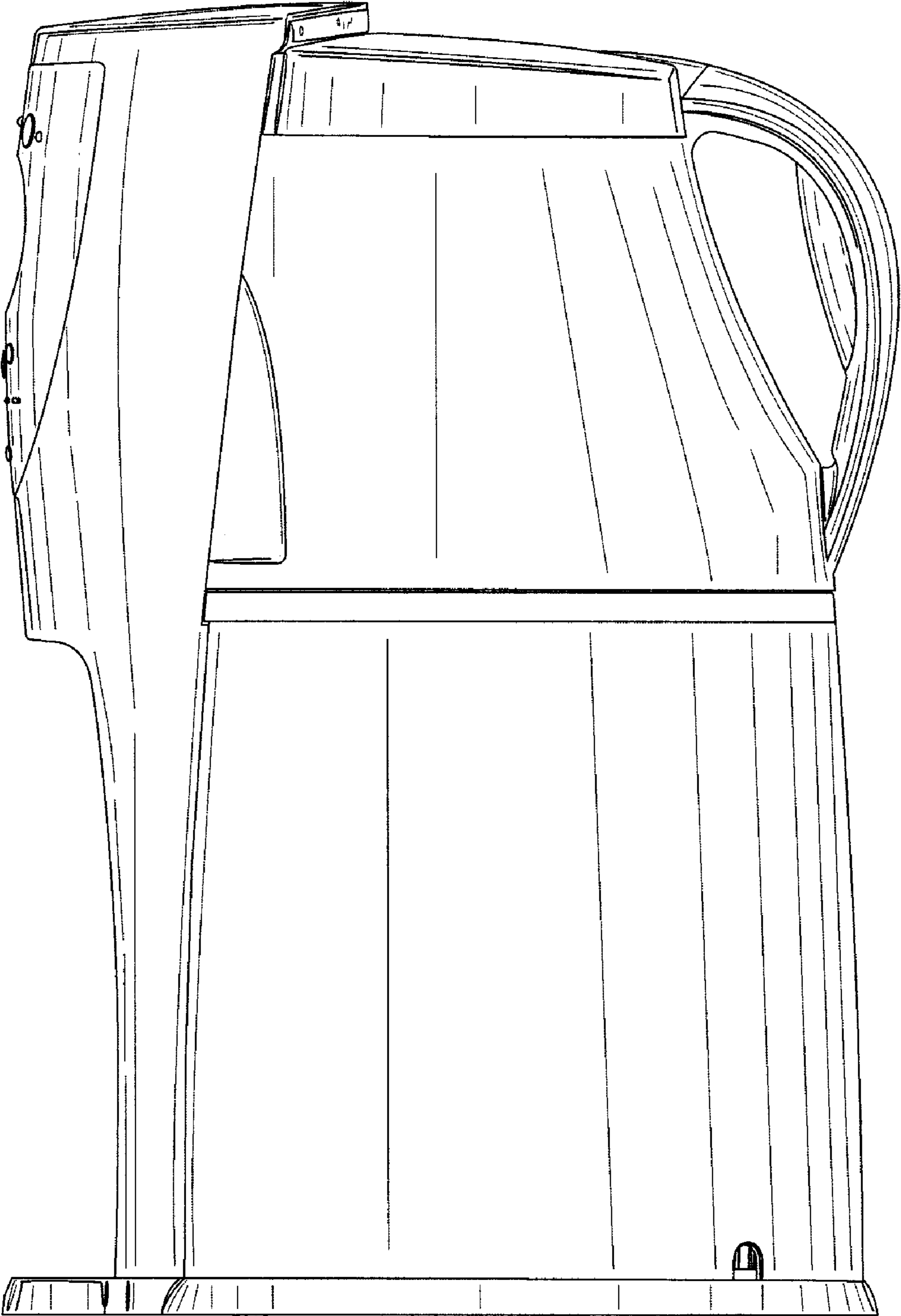
**FIG. 1**



**FIG. 2**



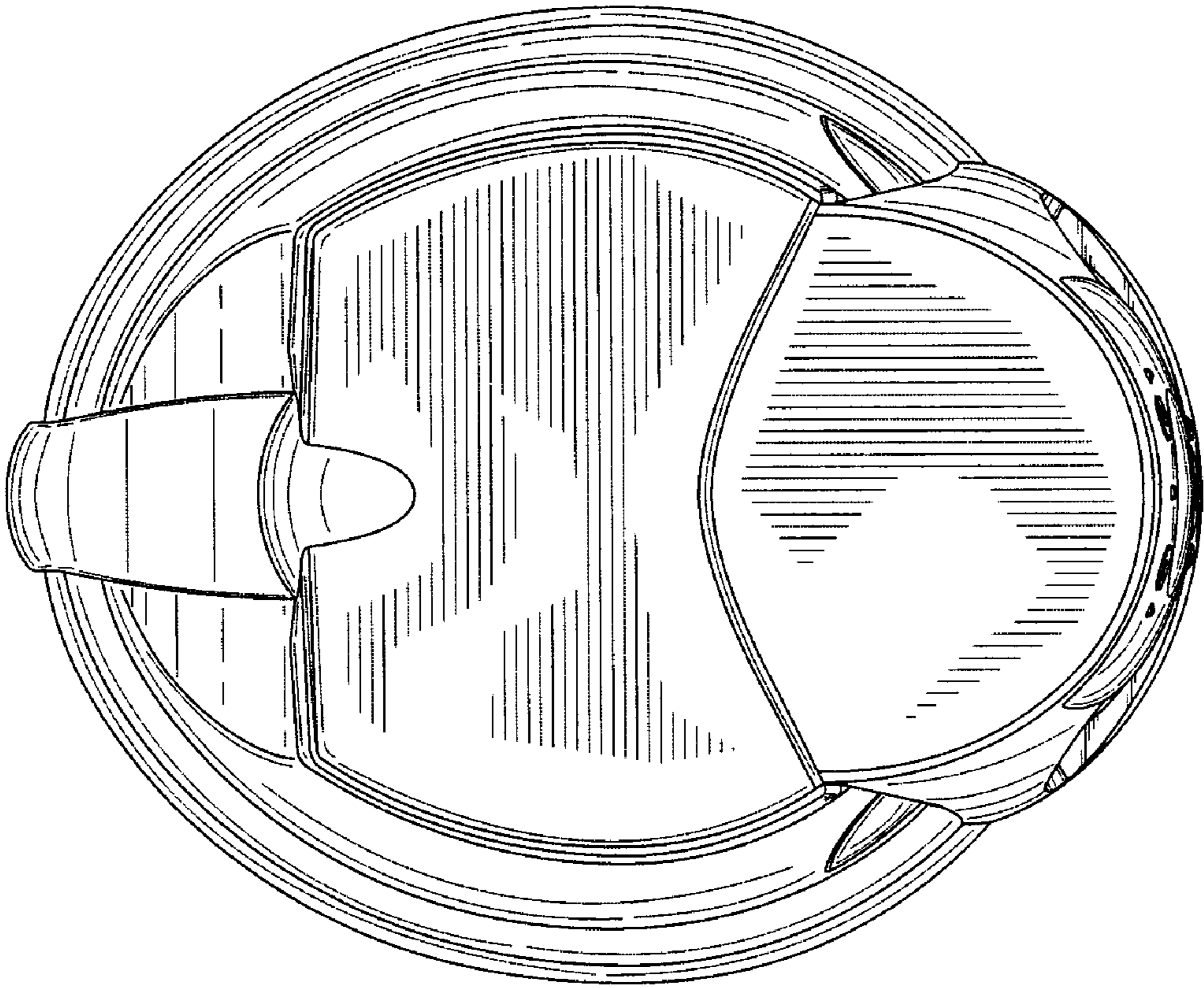
**FIG. 3**



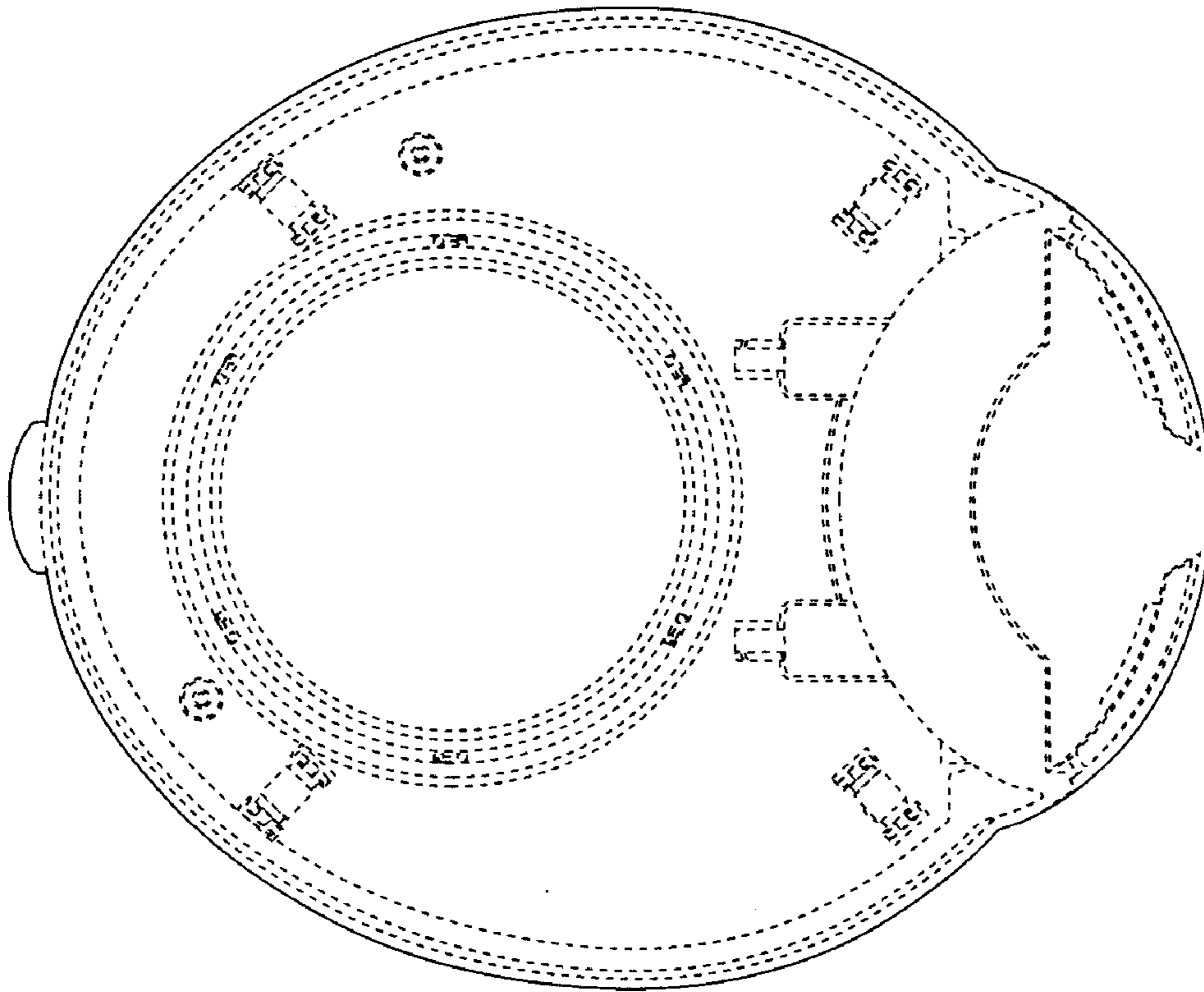
**FIG. 4**



**FIG. 5**



**FIG. 6**



**FIG. 7**