

US00D514862S

(12) **United States Design Patent** (10) **Patent No.:** **US D514,862 S**  
**Fair** (45) **Date of Patent:** **\*\* Feb. 14, 2006**

- (54) **CASE FOR DATA STORAGE DISCS**  
 (75) Inventor: **Paul Fair**, Denver, CO (US)  
 (73) Assignee: **Case Logic, Inc.**, Longmont, CO (US)  
 (\*\*) Term: **14 Years**  
 (21) Appl. No.: **29/197,858**  
 (22) Filed: **Jan. 20, 2004**  
 (51) **LOC (8) Cl.** ..... **03-01**  
 (52) **U.S. Cl.** ..... **D6/633; D6/407; D6/632**  
 (58) **Field of Classification Search** ..... D3/218,  
 D3/270, 298, 301; D6/407, 626-635; 206/18,  
 206/307.1, 308.1, 308.2, 308.3, 309, 310,  
 206/311, 312, 313, 445, 749; 312/9.1, 902,  
 312/9.9, 9.48, 9.55, 9.64, 9.47, 9.53, 328  
 See application file for complete search history.

(56) **References Cited**

**U.S. PATENT DOCUMENTS**

D189,809 S	*	2/1961	Cole et al.	.....	D19/27
D303,042 S	*	8/1989	Mackey	.....	D6/630
D352,604 S	*	11/1994	Johnson	.....	D3/303
D382,166 S	*	8/1997	Alves et al.	.....	D6/634
D401,406 S	*	11/1998	Alves et al.	.....	D3/215
D407,432 S	*	3/1999	Tell	.....	D19/26
D412,936 S	*	8/1999	Hodes	.....	D19/26
D419,186 S	*	1/2000	Moor	.....	D19/27
D424,105 S	*	5/2000	Platte, III	.....	D19/27
6,106,015 A	*	8/2000	Udwin et al.	.....	281/29
D433,444 S	*	11/2000	Eskandry	.....	D19/27
D434,938 S	*	12/2000	Hillman	.....	D6/633

(Continued)

**OTHER PUBLICATIONS**

- U.S. Appl. No. 29/197,893, filed Jan. 20, 2004, Fair.  
 1996 Case Logic Computer Product Catalog, CD Rom Albums, CD Rom Files.  
 1997 Case Logic Audio Catalog, CD organizes.  
 1998 Case It Catalog.  
 1999 Case Logic Catalog, pp. 5-7, 13 and 30.

- 1999 cdProjects Catalog, pp. 3-7, 9, 10, 15 and 23.  
 2000 cdProjects Catalog 3,44,6-10,13,16-18,20 and 24-26.  
 Spring 2000 Case Logic Catalog, pp. 6-9.  
 2000 Case Logic Catalog, pp. 5-7, 18 and 26.  
 2001 Case Logic Catalog, pp. 5-9, 21 and 29.  
 2001 Case It Catalog, pp. 1, 2, 8, 9, 11 and 13.  
 2002 Case Logic Catalog, pp. 3-7, 11, 16, 17, 24 and 37.  
 2003 Case Logic Catalog pp. 3-5, 7, 12-15 and 27.  
 Fellowes Catalog, pp. 113-115, date unknown.

*Primary Examiner*—Celia A. Murphy  
 (74) *Attorney, Agent, or Firm*—Sheridan Ross P.C.

(57) **CLAIM**

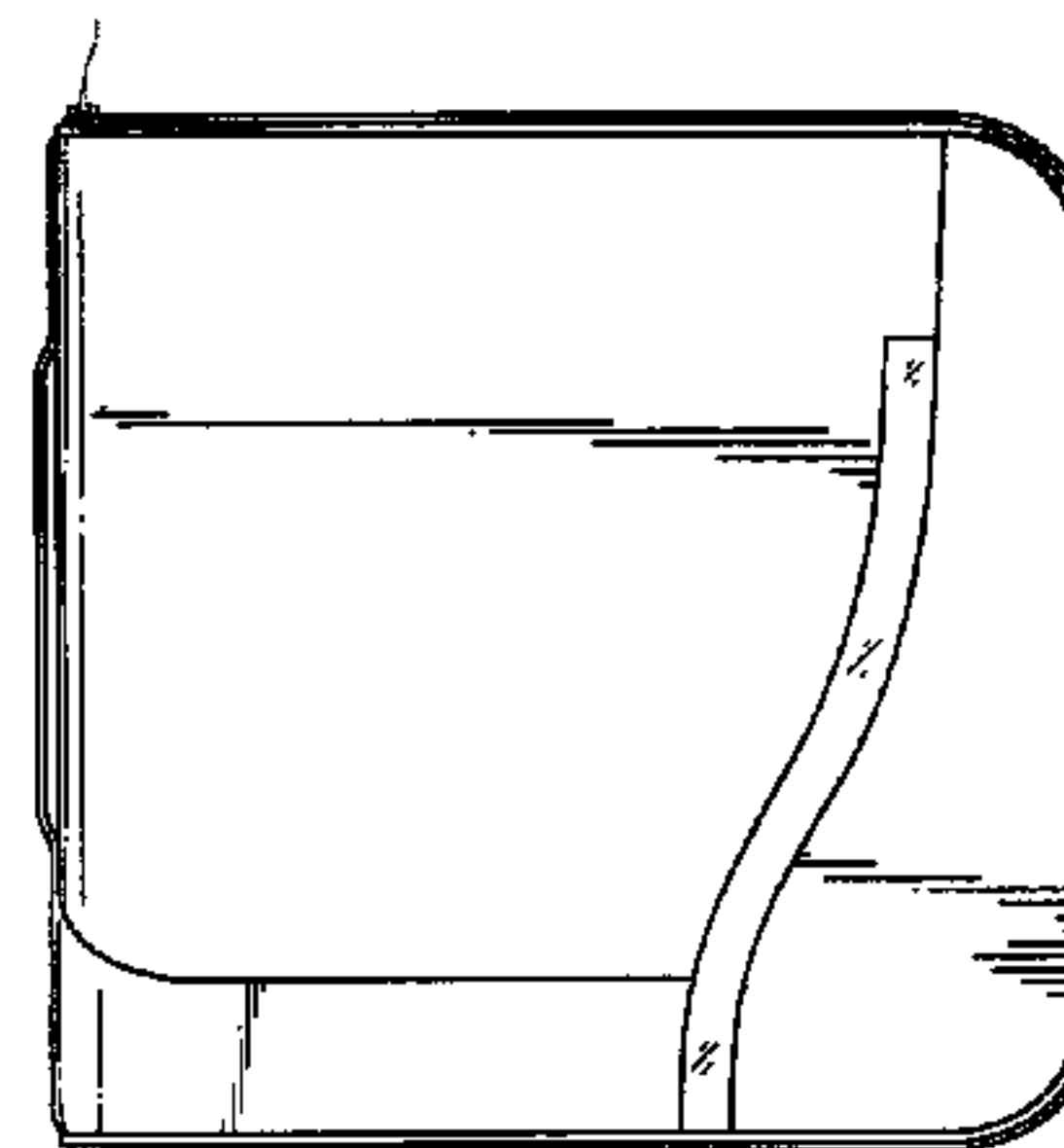
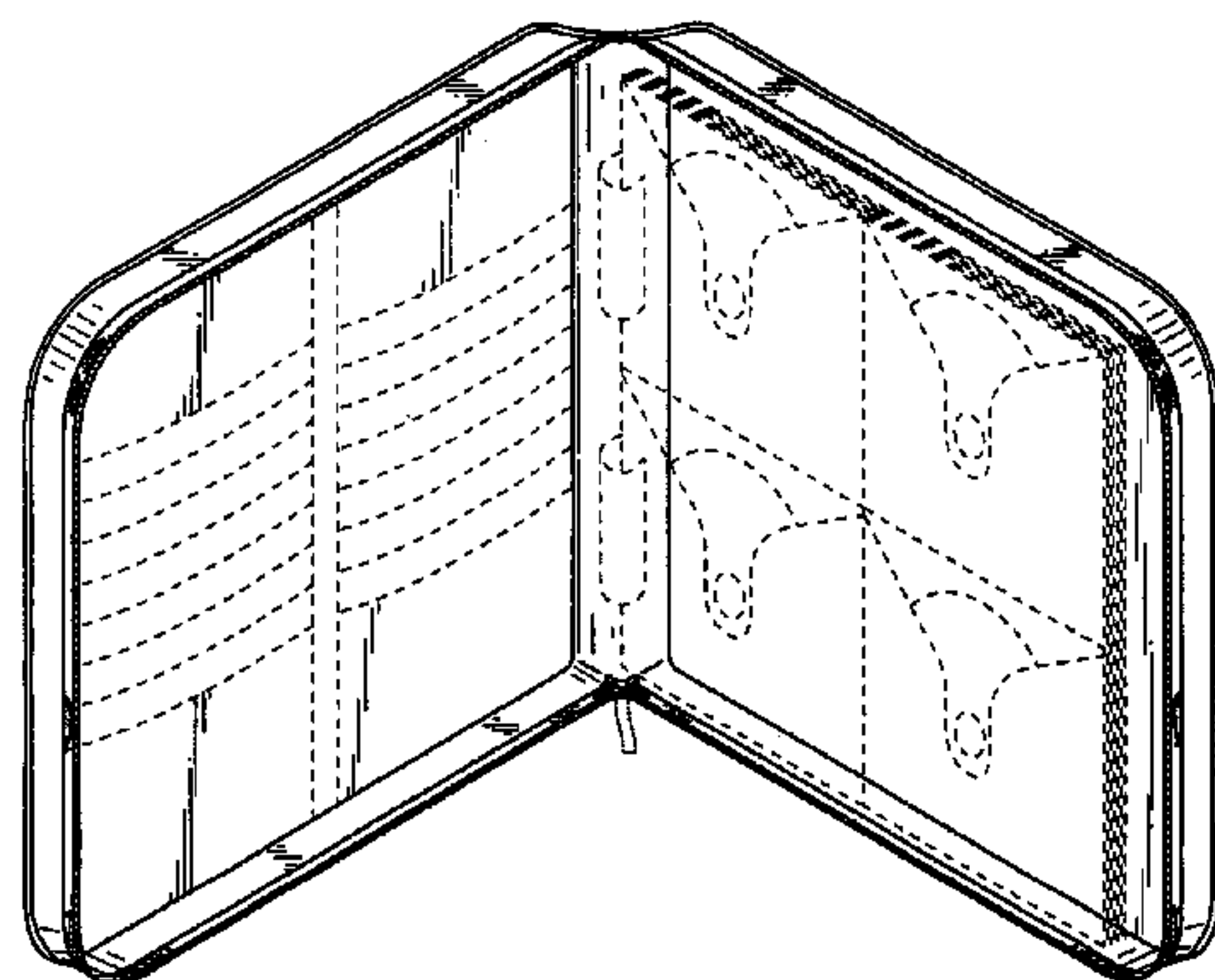
The ornamental design for a case for data storage discs, shown and described.

**DESCRIPTION**

FIG. 1 is a front perspective view of a case for data storage discs showing my new design; the broken lines showing a fastener-pull throughout the views representing a portion of the design that forms no part of the claim;  
 FIG. 2 is a top perspective view thereof shown in an open position. The broken lines showing interior details represent portions of the design that form no part of the claim.  
 FIG. 3 is a front elevation view of the invention shown in FIG. 1;  
 FIG. 4 is a rear elevation view of the invention illustrated in FIG. 1;  
 FIG. 5 is a right elevation view of the invention illustrated in FIG. 1;  
 FIG. 6 is a left elevation view of the invention illustrated in FIG. 1;  
 FIG. 7 is a top plan view of the invention illustrated in FIG. 1; and,  
 FIG. 8 is a bottom plan view of the invention illustrated in FIG. 1.

The top and bottom broken horizontal lines, along with the pair of vertical broken lines, immediately adjacent to the shaded surfaces in FIG. 2 define the boundaries of the design. The broken lines themselves, and the areas in between them form no part of the claim.

**1 Claim, 5 Drawing Sheets**



# US D514,862 S

Page 2

---

## U.S. PATENT DOCUMENTS

D459,887 S	*	7/2002	Johnson	.....	D3/303	D486,030 S	*	2/2004	Bergh	.....	D6/632
D460,255 S	*	7/2002	Hillman	.....	D3/218	D489,212 S	*	5/2004	Bergh	.....	D6/632
D460,261 S	*	7/2002	Fair	.....	D3/301	D489,900 S	*	5/2004	Carter	.....	D3/301
D481,250 S	*	10/2003	Hassett	.....	D6/632	D501,113 S	*	1/2005	Bergh	.....	D6/631
D482,522 S	*	11/2003	Hassett	.....	D3/218	D502,802 S	*	3/2005	Fair	.....	D3/218
D484,687 S	*	1/2004	Hassett	.....	D3/218	2004/0065568 A1	*	4/2004	Kim	.....	206/308.1
6,672,452 B1	*	1/2004	Alves et al.	.....	206/232	2004/0222111 A1	*	11/2004	Qualkenbush	.....	206/307

\* cited by examiner

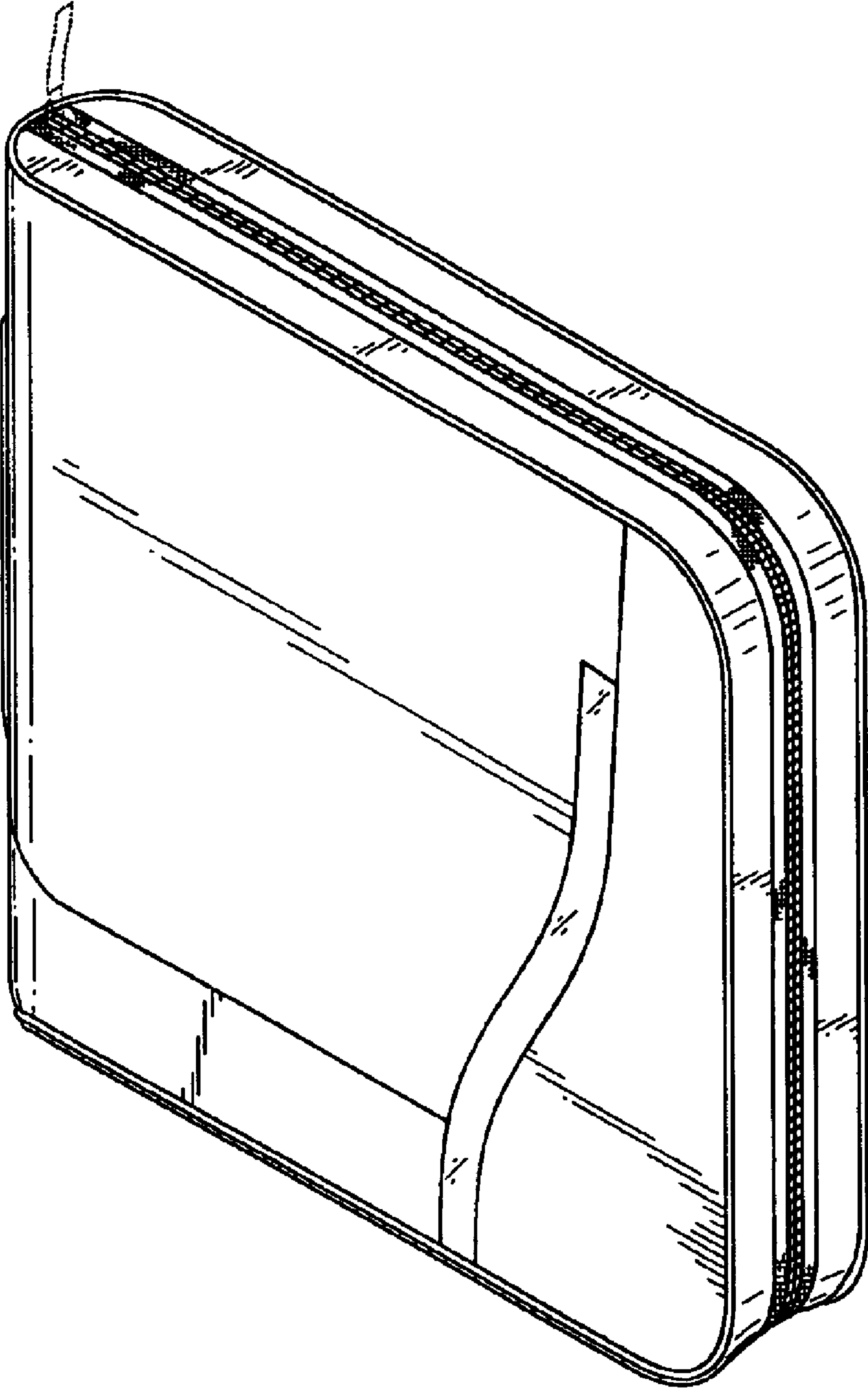


FIG.1

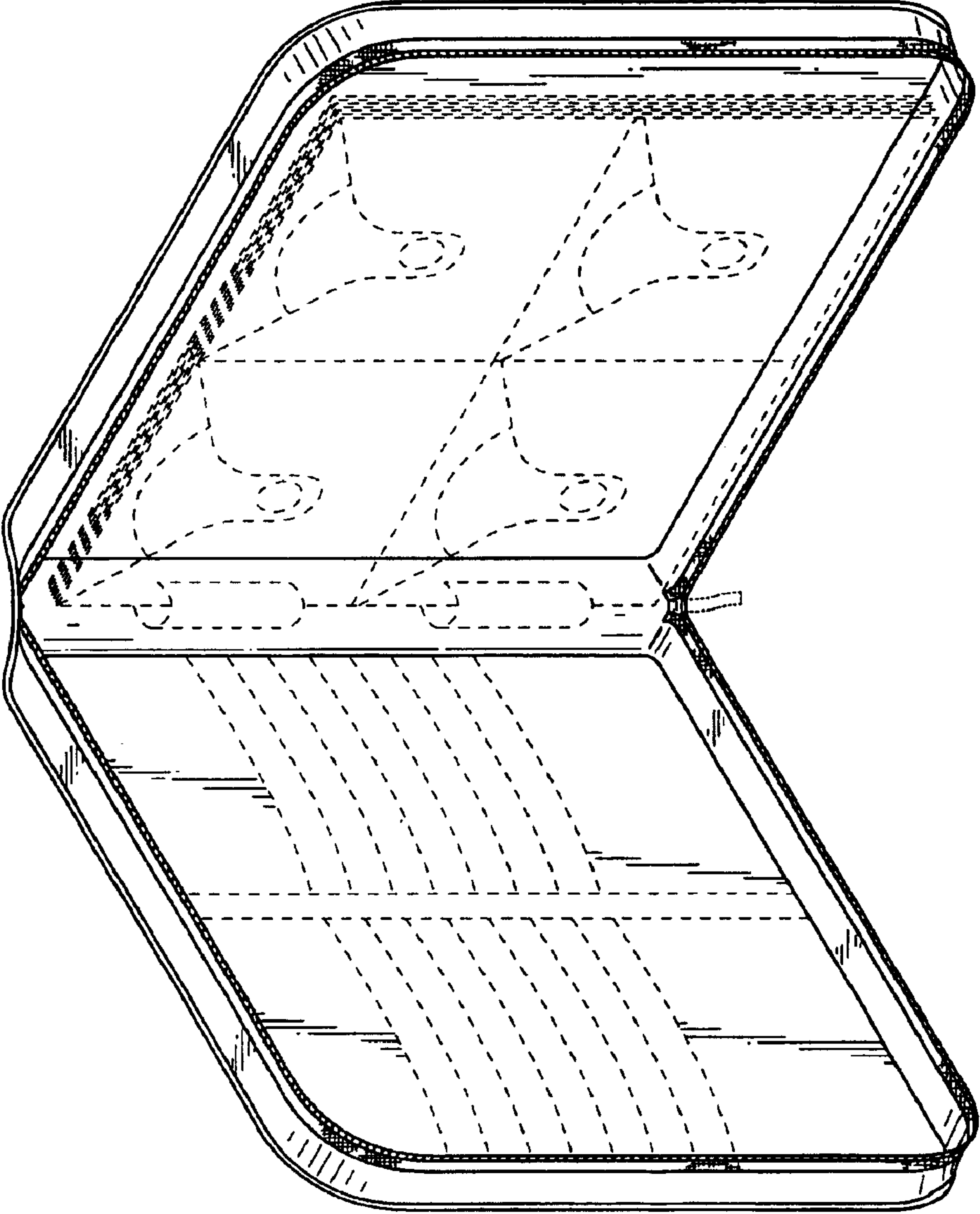


FIG.2



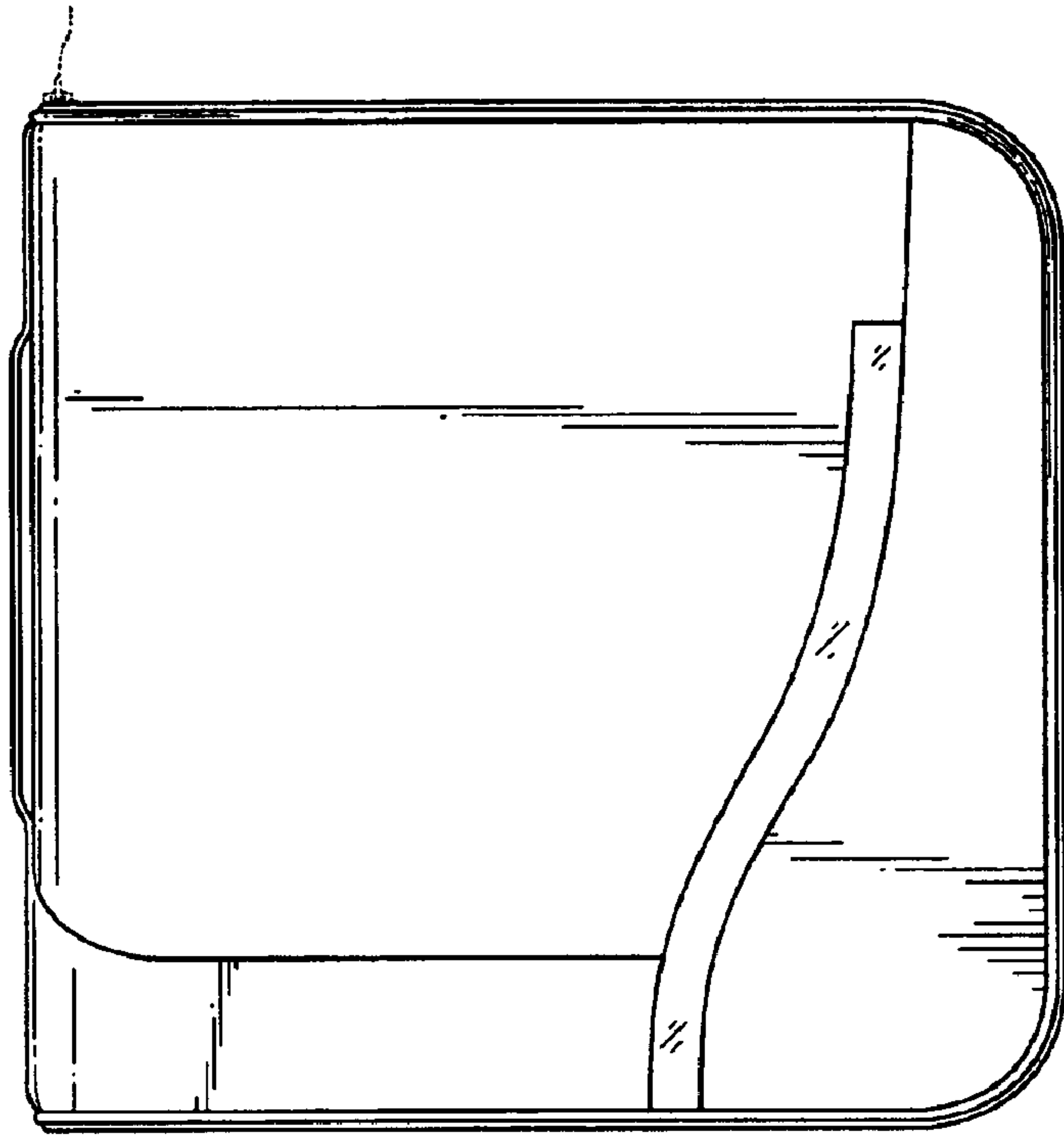


FIG.3

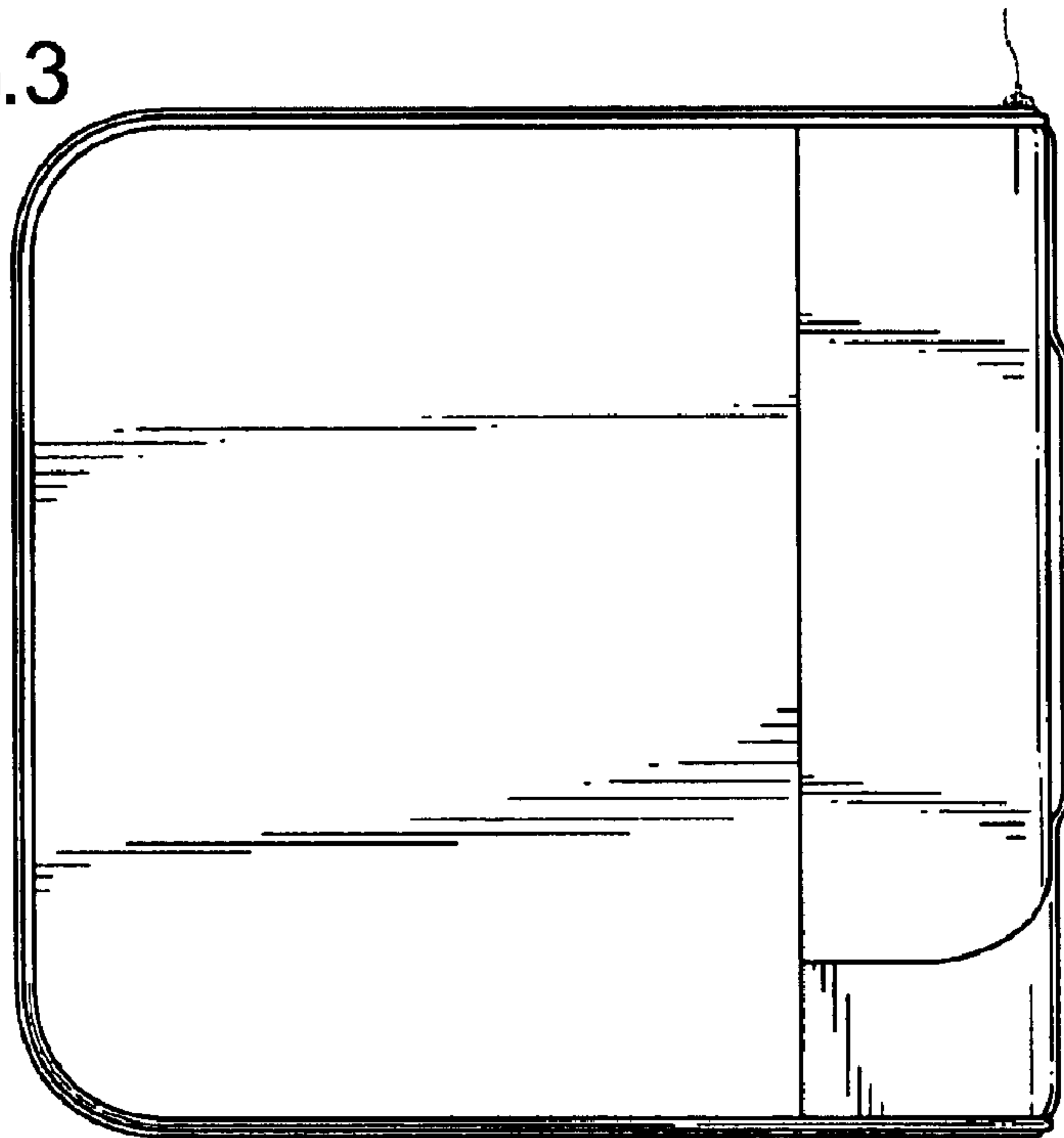


FIG.4

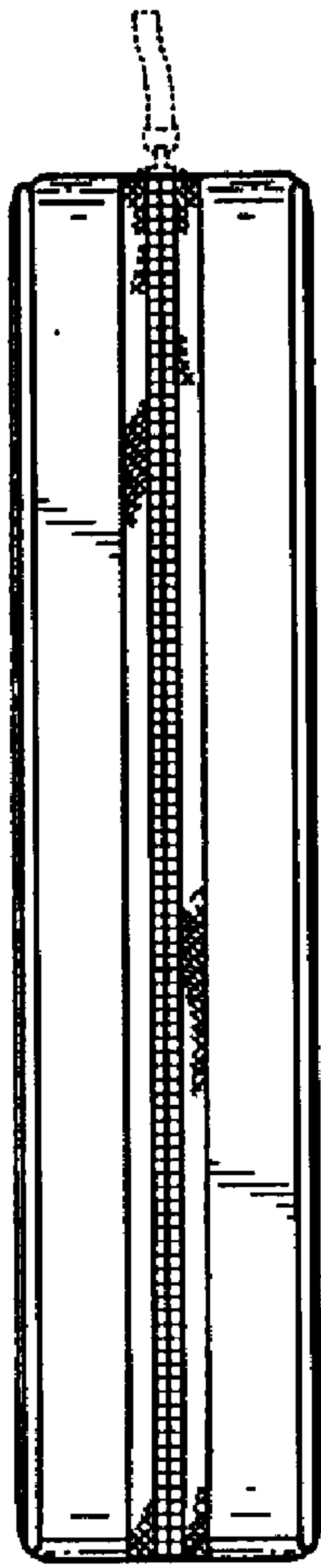


FIG. 5

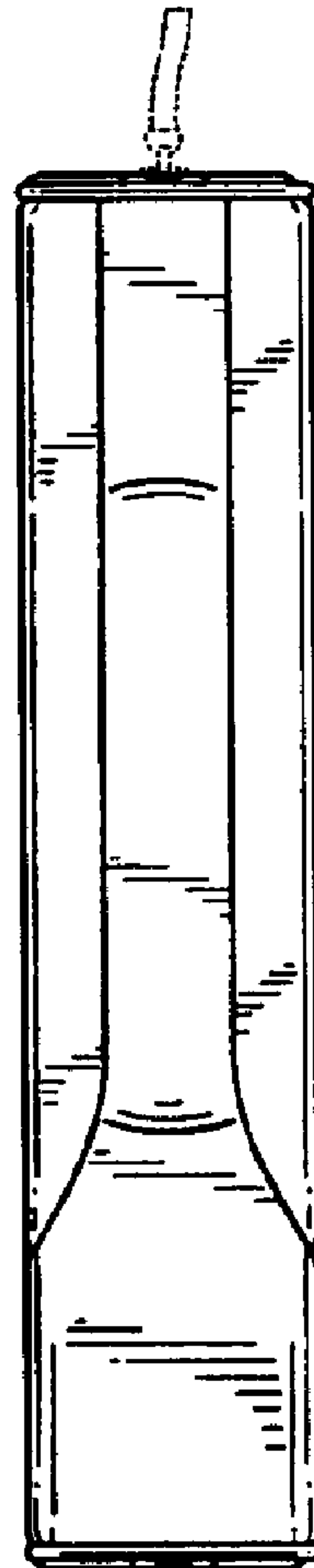


FIG. 6

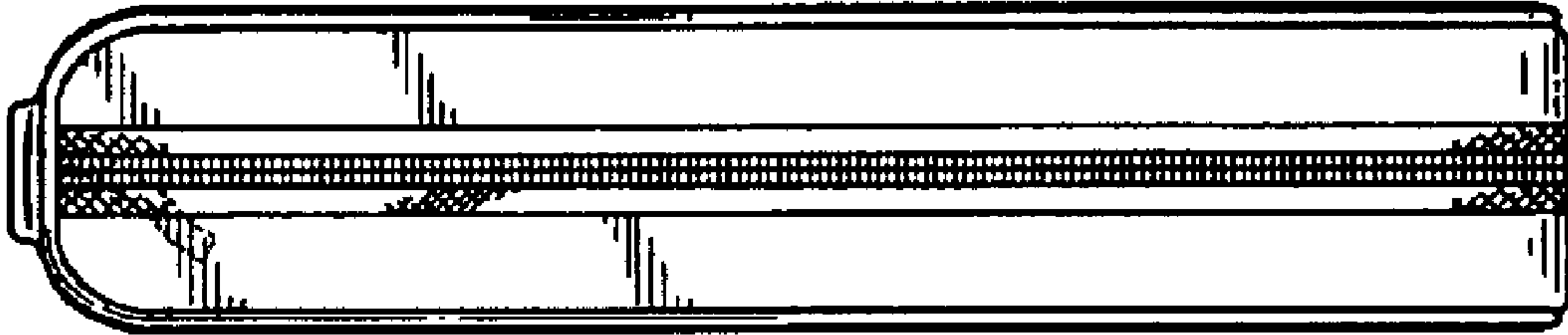


FIG. 7

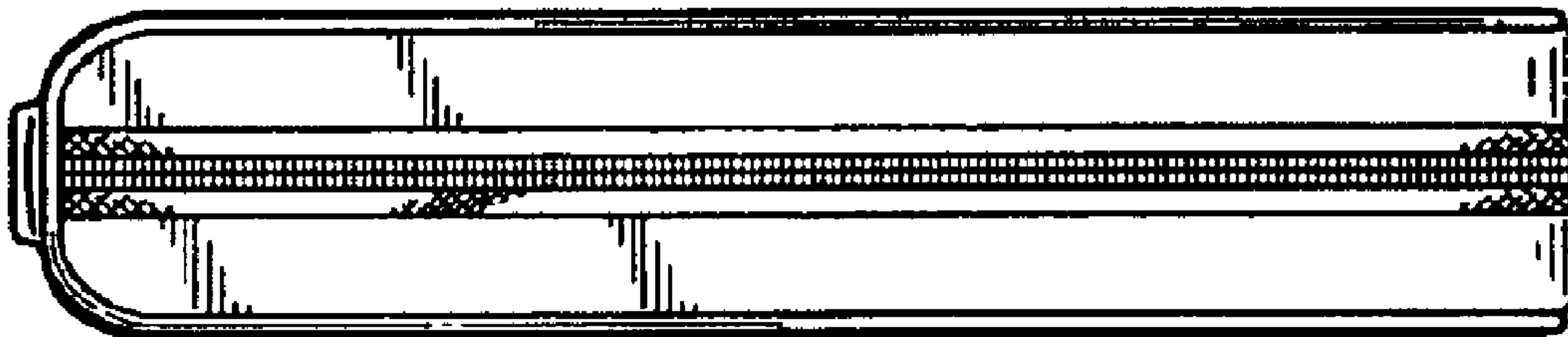


FIG. 8