



US00D514857S

(12) **United States Design Patent**
Hoernig

(10) **Patent No.:** **US D514,857 S**

(45) **Date of Patent:** **** Feb. 14, 2006**

(54) **DOUBLE TOWEL BAR**

(75) **Inventor:** **Victor Hoernig**, Lowell, IN (US)

(73) **Assignee:** **Brasstech, Inc.**, Santa Ana, CA (US)

(**) **Term:** **14 Years**

(21) **Appl. No.:** **29/224,533**

(22) **Filed:** **Mar. 3, 2005**

(51) **LOC (8) Cl.** **06-04**

(52) **U.S. Cl.** **D6/548**

(58) **Field of Classification Search** D6/546-550,
D6/518-519, 522-524; D8/300, 303, 315-321;
108/28-29; 248/175, 176.1, 251, 302; 16/110.1,
16/412, 415; 242/570, 590, 595-598; 211/13.1,
211/16, 60.1, 100, 86.01, 87.01, 88.01, 88.04,
211/105.1, 105.2, 123, 182, 181.1
See application file for complete search history.

(56) **References Cited**

U.S. PATENT DOCUMENTS

D152,331 S * 1/1949 Eakins D6/548
D157,015 S * 1/1950 Wheeler D6/548
D296,964 S * 8/1988 Jans D6/548

D360,095 S * 7/1995 Wang D6/548
D424,353 S * 5/2000 Duggan D6/550
D477,169 S * 7/2003 Hoernig D6/548
D486,337 S * 2/2004 Hoernig D6/548

* cited by examiner

Primary Examiner—Brian N Vinson

(74) *Attorney, Agent, or Firm*—Kwadjo Adusei-Poku;
Lloyd D. Doigan

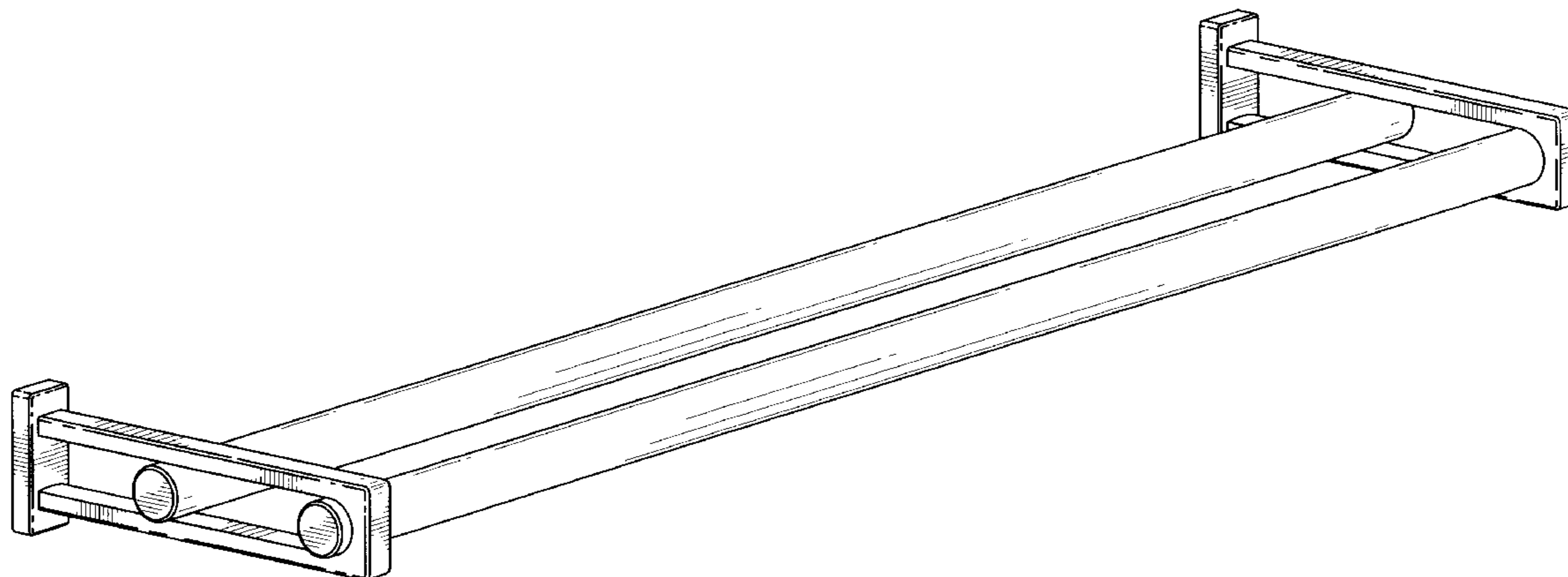
(57) **CLAIM**

The ornamental design for a double towel bar, as shown and described.

DESCRIPTION

FIG. 1 is a front perspective view of a double towel bar showing my design;
FIG. 2 is a top plan view thereof;
FIG. 3 is a bottom plan view thereof;
FIG. 4 is a front elevational view thereof;
FIG. 5 is a rear elevational view thereof;
FIG. 6 is a left side elevational view thereof; and,
FIG. 7 is a right side elevational view thereof.
The broken lines in the Figures are for illustrative purposes only and form no part of the claimed design.

1 Claim, 7 Drawing Sheets



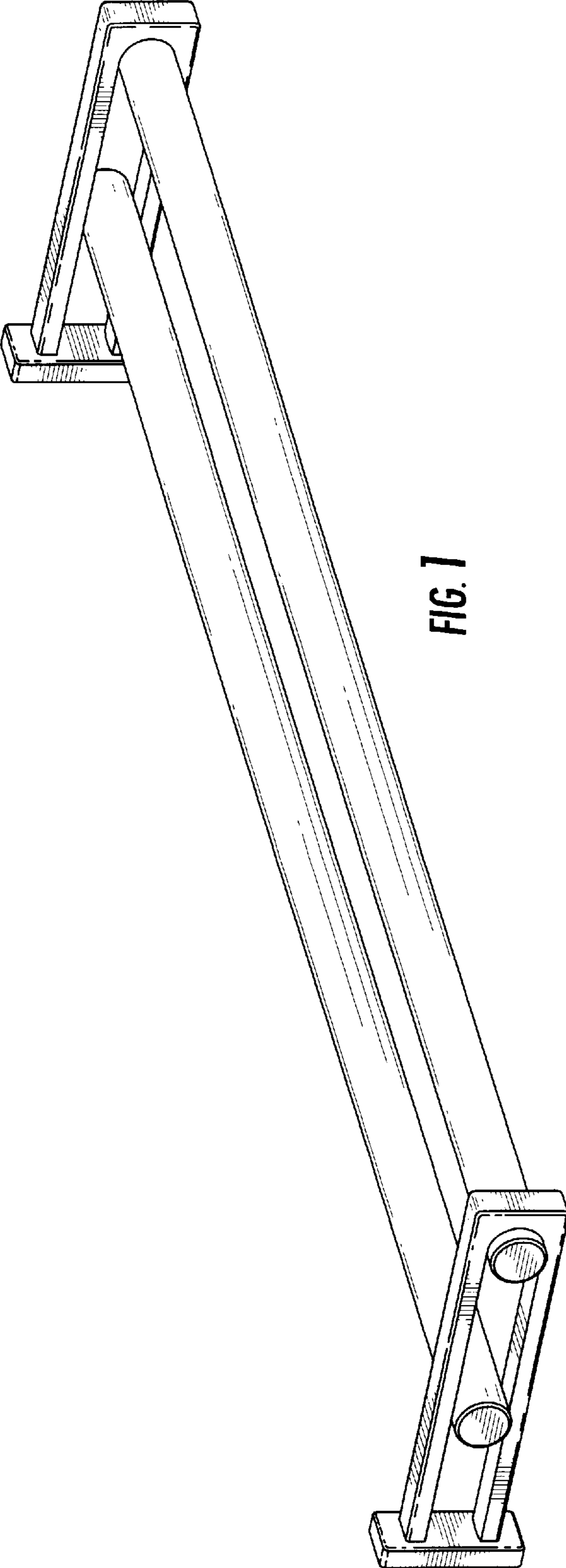


FIG. 7

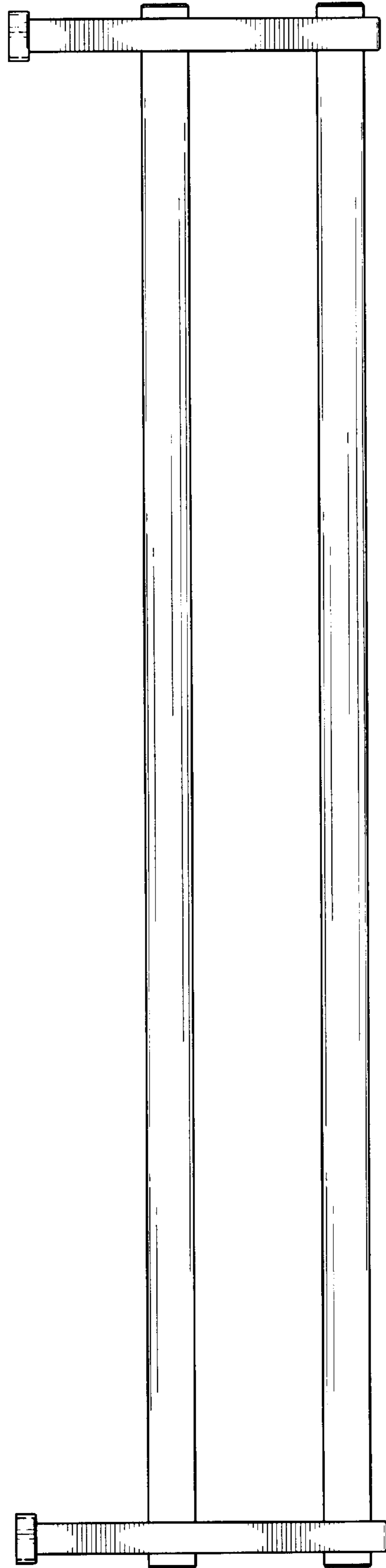


FIG. 2

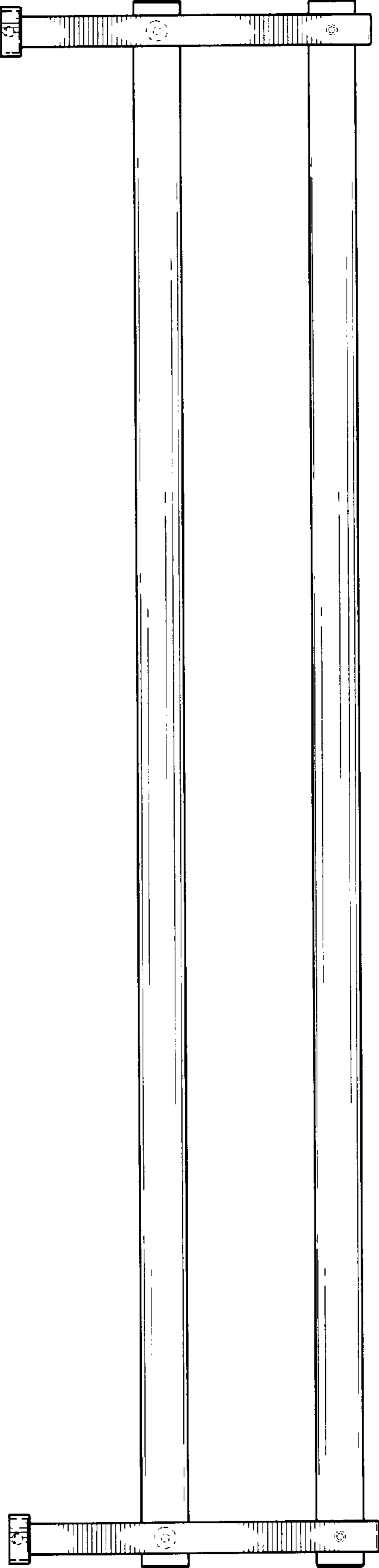


FIG. 3

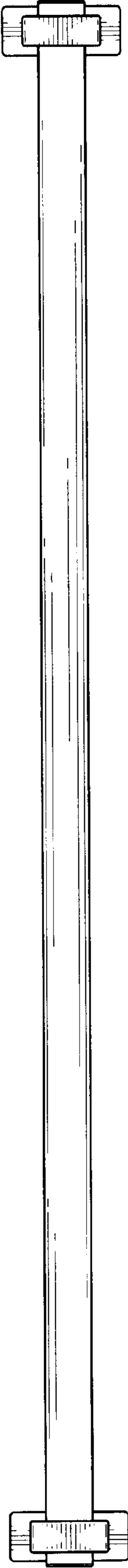


FIG. 4



FIG. 5

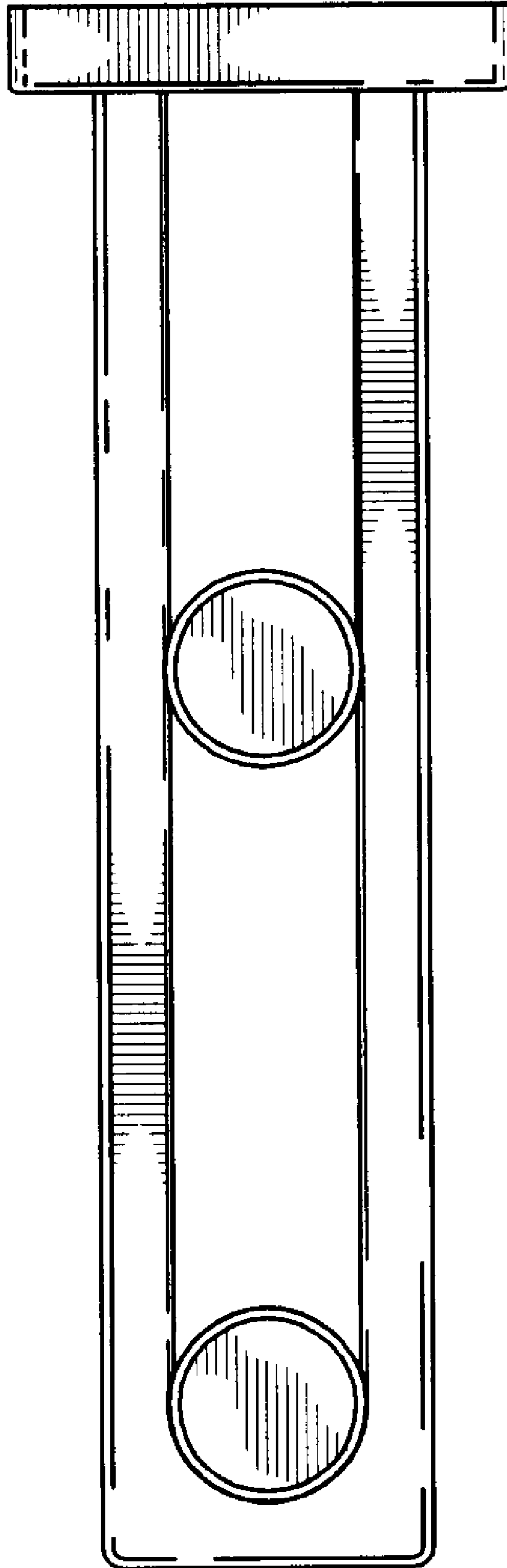


FIG. 6

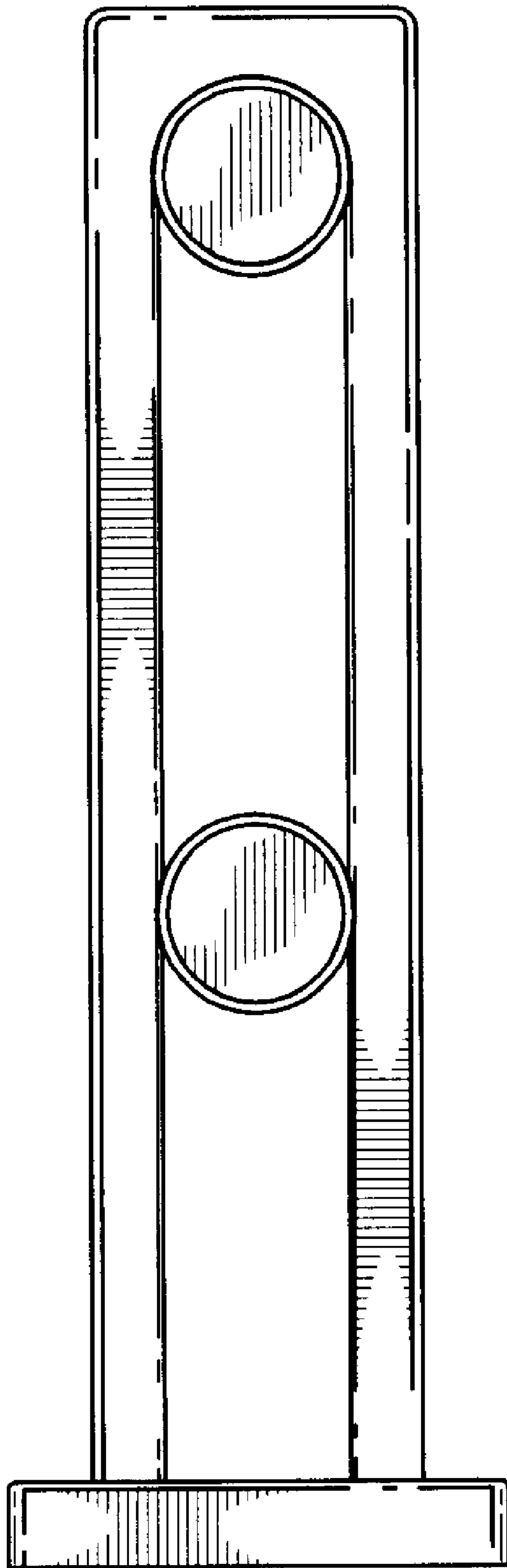


FIG. 7