



US00D514848S

(12) **United States Design Patent** (10) **Patent No.:** **US D514,848 S**
Au (45) **Date of Patent:** **** *Feb. 14, 2006**

(54) **WATCH DISPLAY BOX WITH DOUBLE WATCH WINDERS**

D449,944 S * 11/2001 Wolf D6/470
D488,298 S * 4/2004 Freeman D6/470

(75) Inventor: **Kinsen Ka Fai Au**, Tuen Mun (HK)

* cited by examiner

(73) Assignee: **Nationalpak Limited**, Tuen Mun (HK)

Primary Examiner—Cathron C. Brooks

(*) Notice: This patent is subject to a terminal disclaimer.

(74) *Attorney, Agent, or Firm*—Raymond Y. Chan; David and Raymond

(**) Term: **14 Years**

(57) **CLAIM**

The ornamental design for a watch display box with double watch winders, as shown and described.

(21) Appl. No.: **29/204,091**

DESCRIPTION

(22) Filed: **Apr. 26, 2004**

(51) **LOC (8) Cl.** **06-04**

FIG. 1 is a perspective view showing my new design.

(52) **U.S. Cl.** **D6/470**

FIG. 2 is a front view thereof.

(58) **Field of Classification Search** D6/467-472;
312/114, 204, 224

FIG. 3 is a rear view thereof.

See application file for complete search history.

FIG. 4 is a right end view thereof.

FIG. 5 is a left end view thereof.

FIG. 6 is a top view thereof.

FIG. 7 is a bottom view thereof.

(56) **References Cited**

U.S. PATENT DOCUMENTS

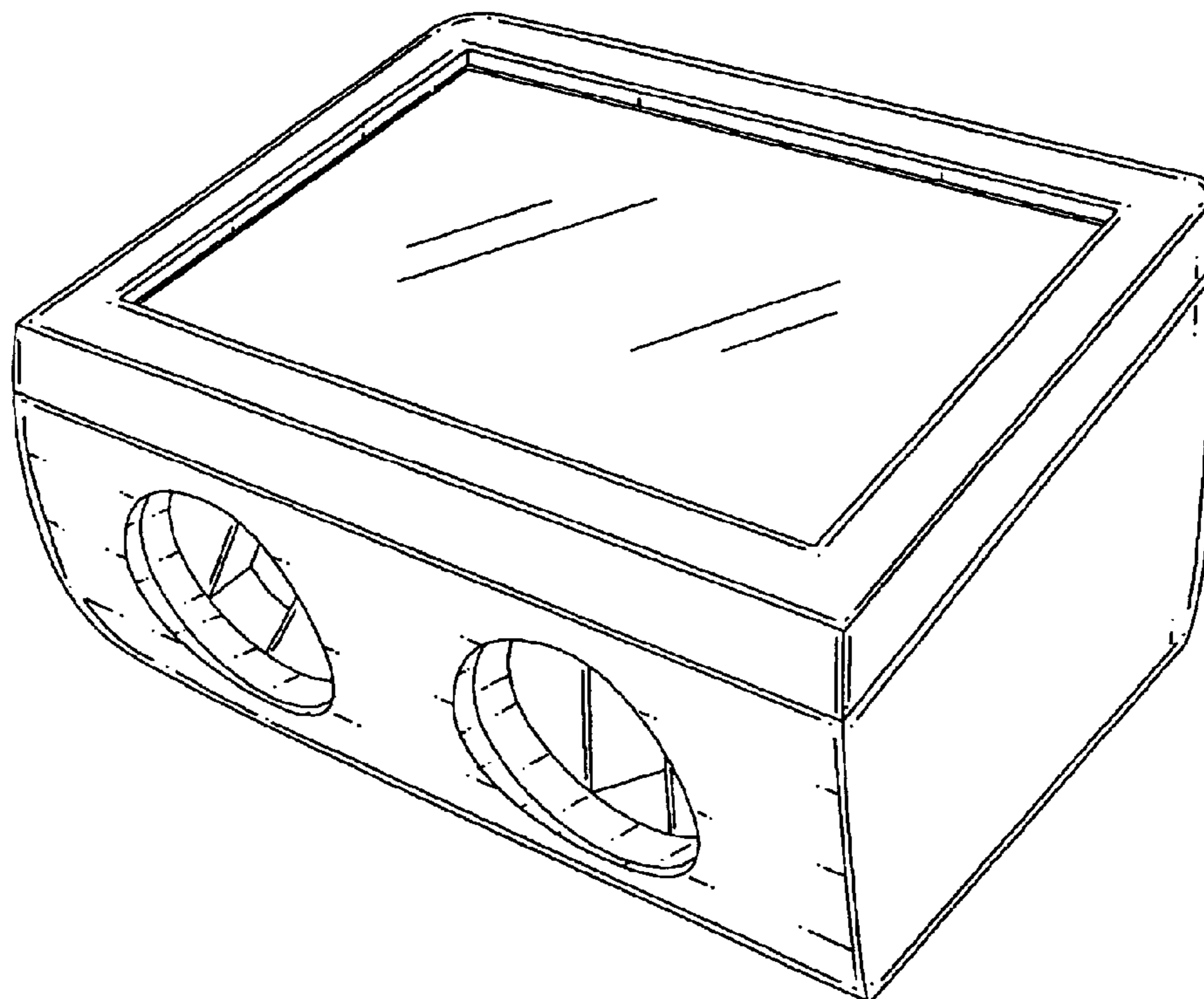
- D238,335 S * 1/1976 Ocko D6/471
- D278,112 S * 3/1985 Stanton D6/631
- D281,208 S * 11/1985 Raftery D6/449
- D398,792 S * 9/1998 VanStolk D6/470
- D410,230 S * 5/1999 Witte D6/432
- D422,810 S * 4/2000 Rasp D6/480
- D423,249 S * 4/2000 Hawang D6/440

FIG. 8 is a perspective view showing an open position thereof.

FIG. 9 is a perspective view in an open position showing the operation of the watch winders thereof; and,

FIG. 10 is a perspective view in an open position thereof, showing the watches displayed, wherein the broken lines shown in FIG. 10 form no part of the claimed design.

1 Claim, 10 Drawing Sheets



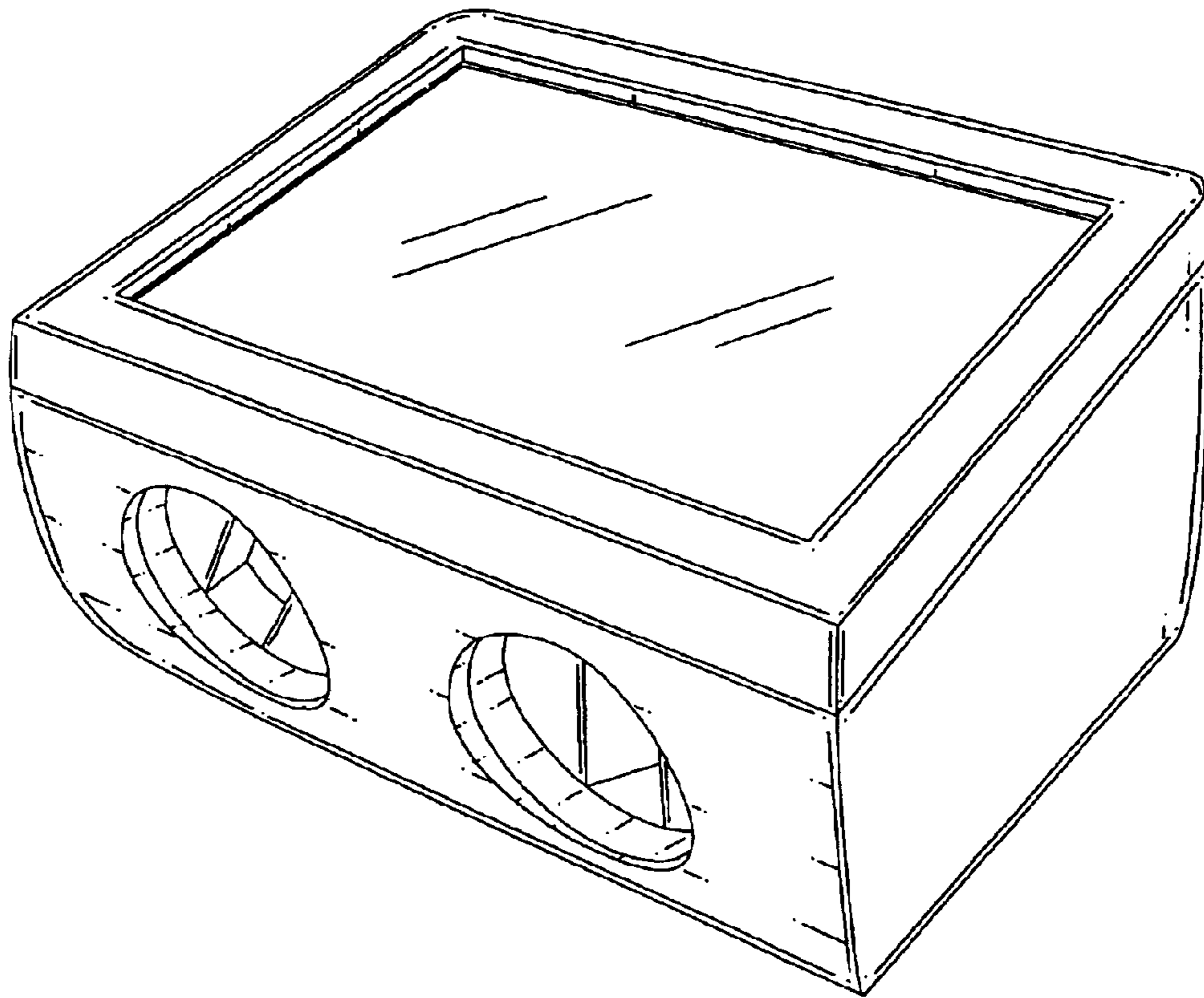


FIG. 1

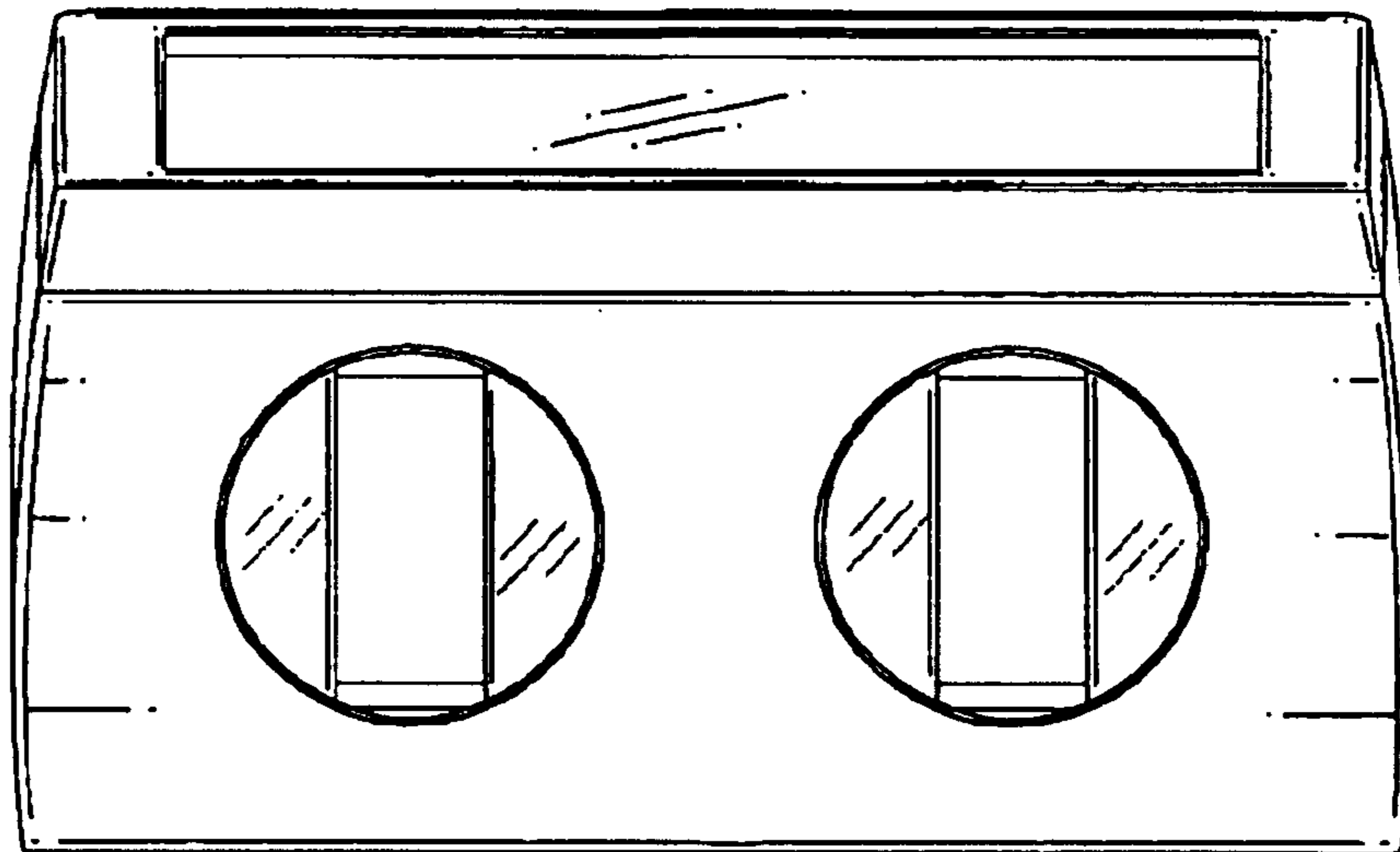


FIG.2

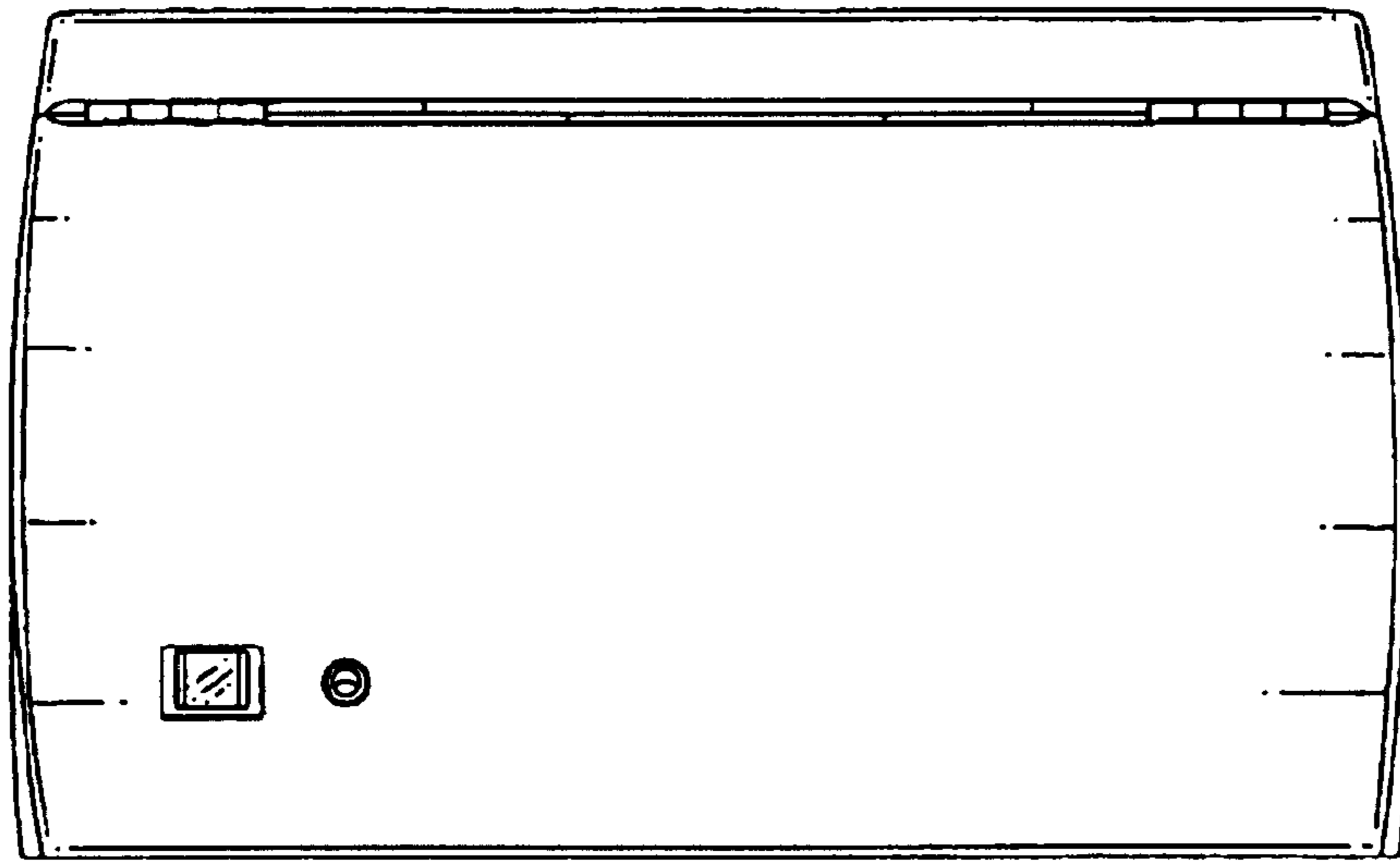


FIG.3

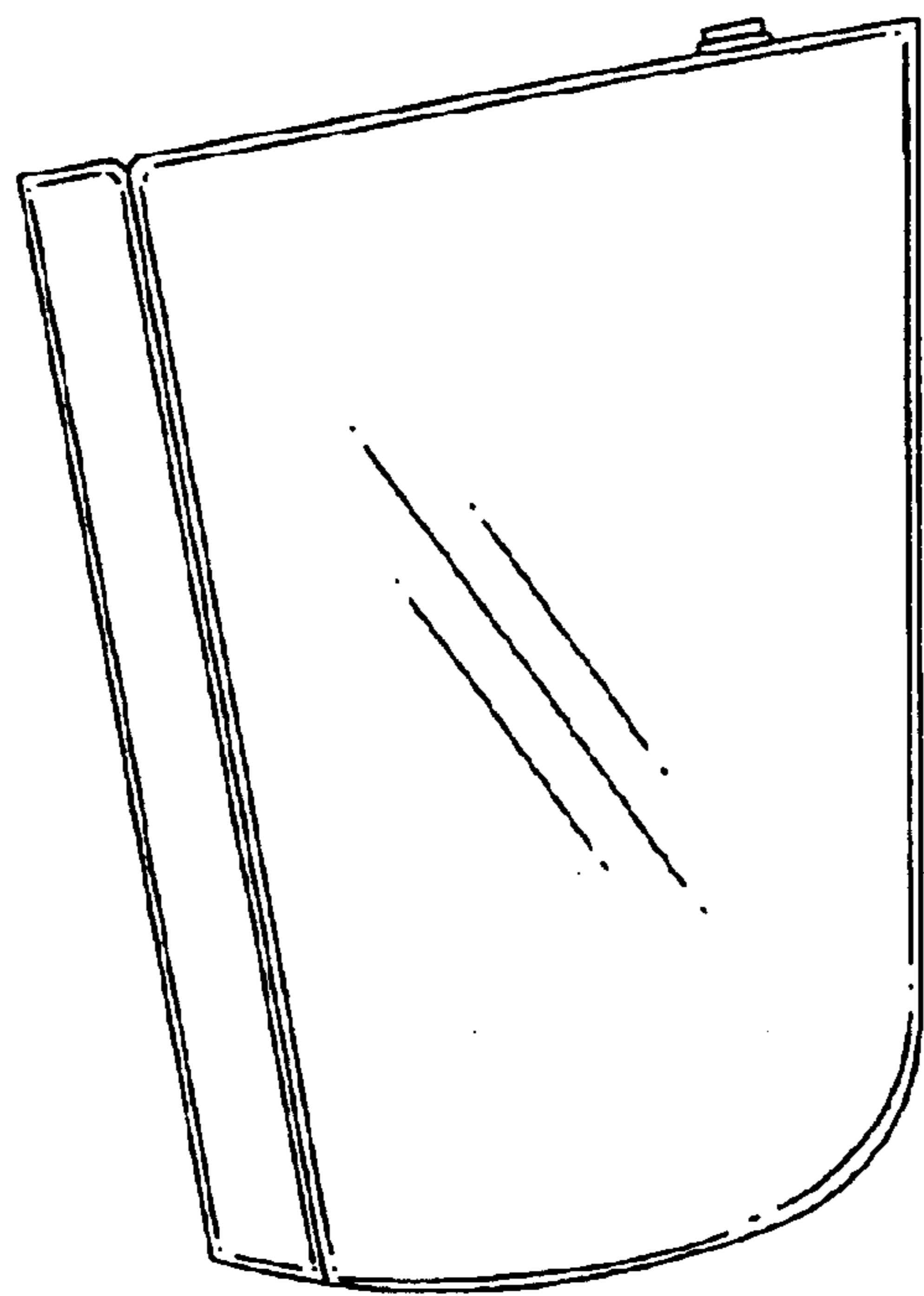


FIG. 4

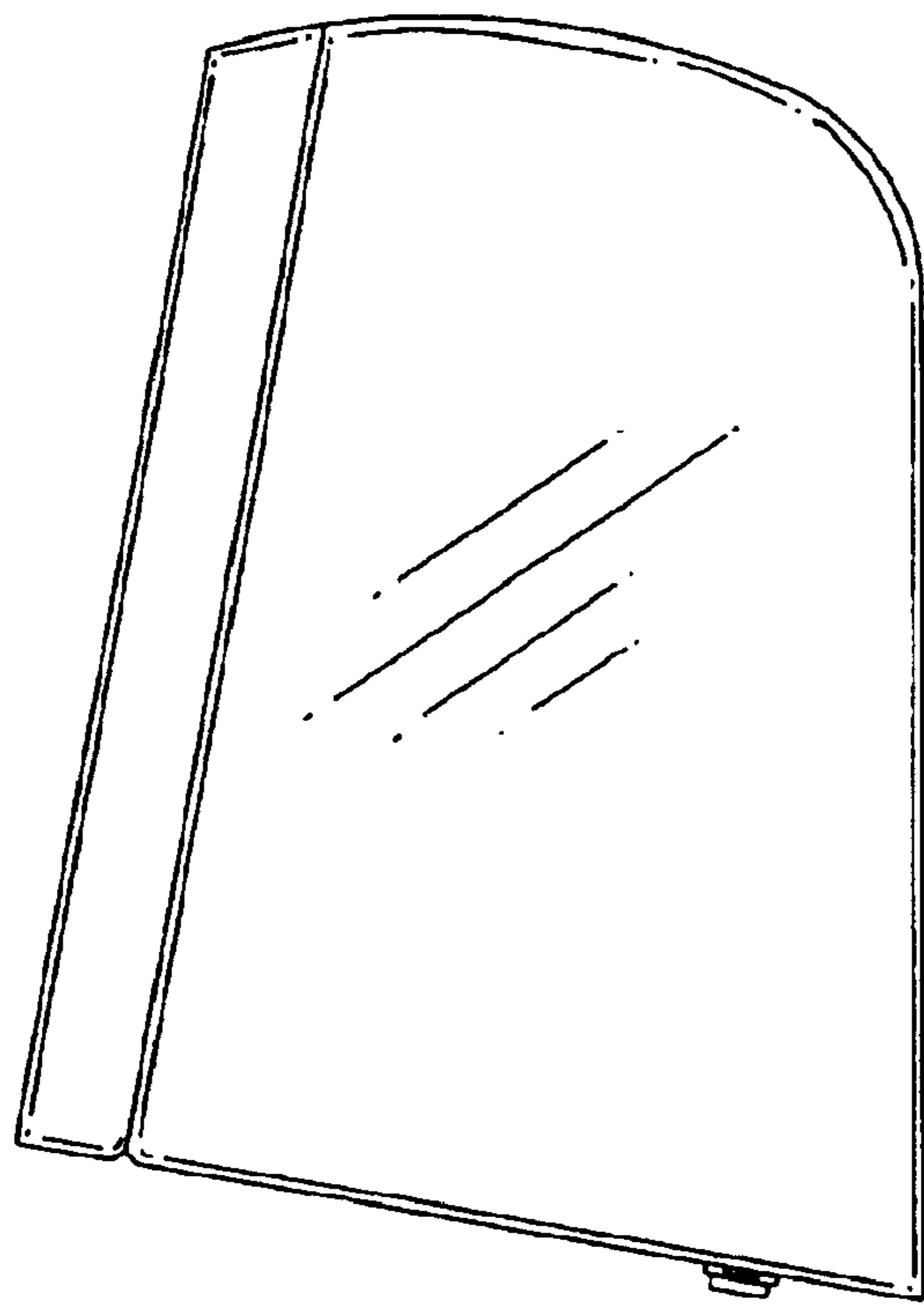


FIG. 5

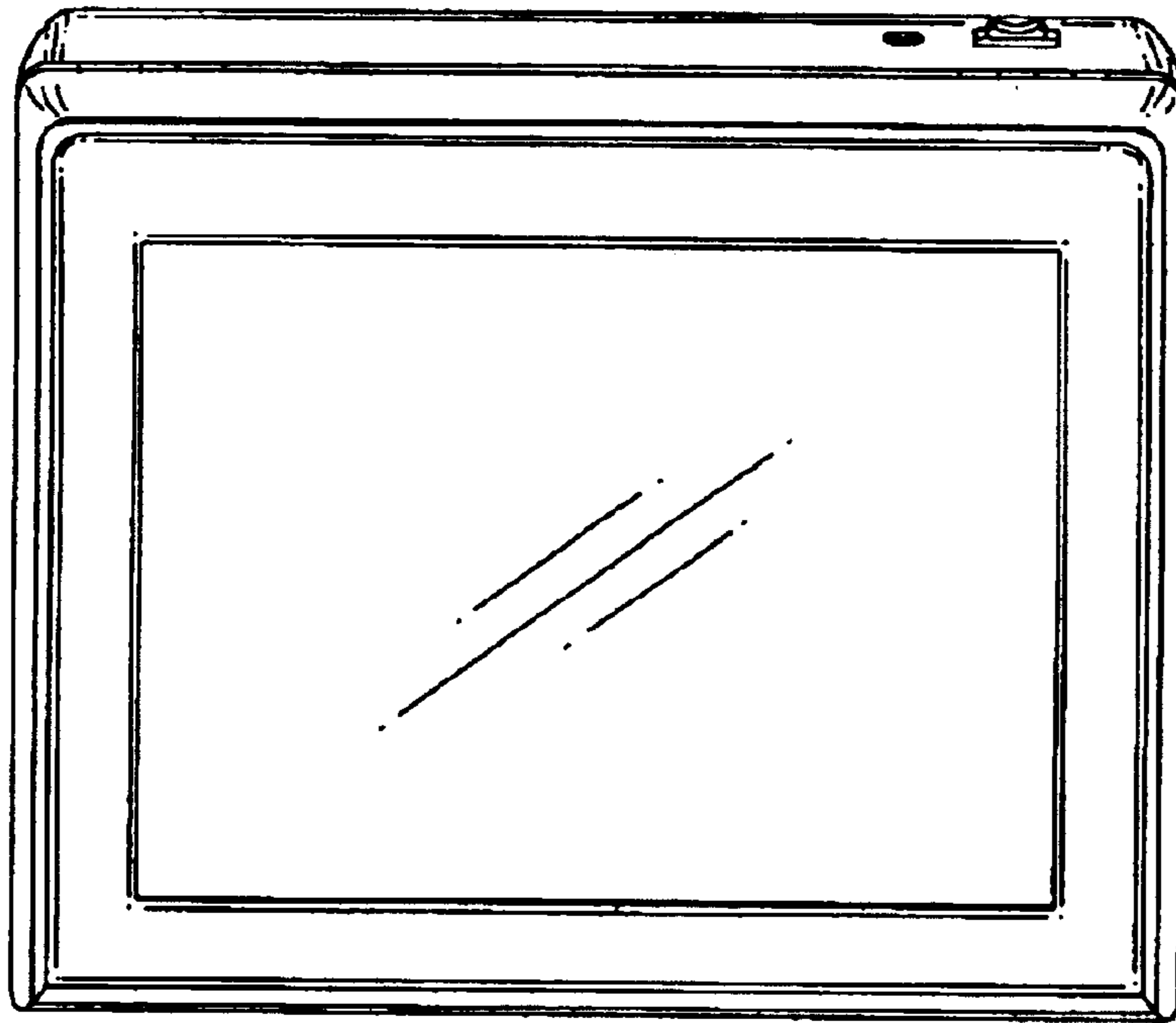


FIG.6

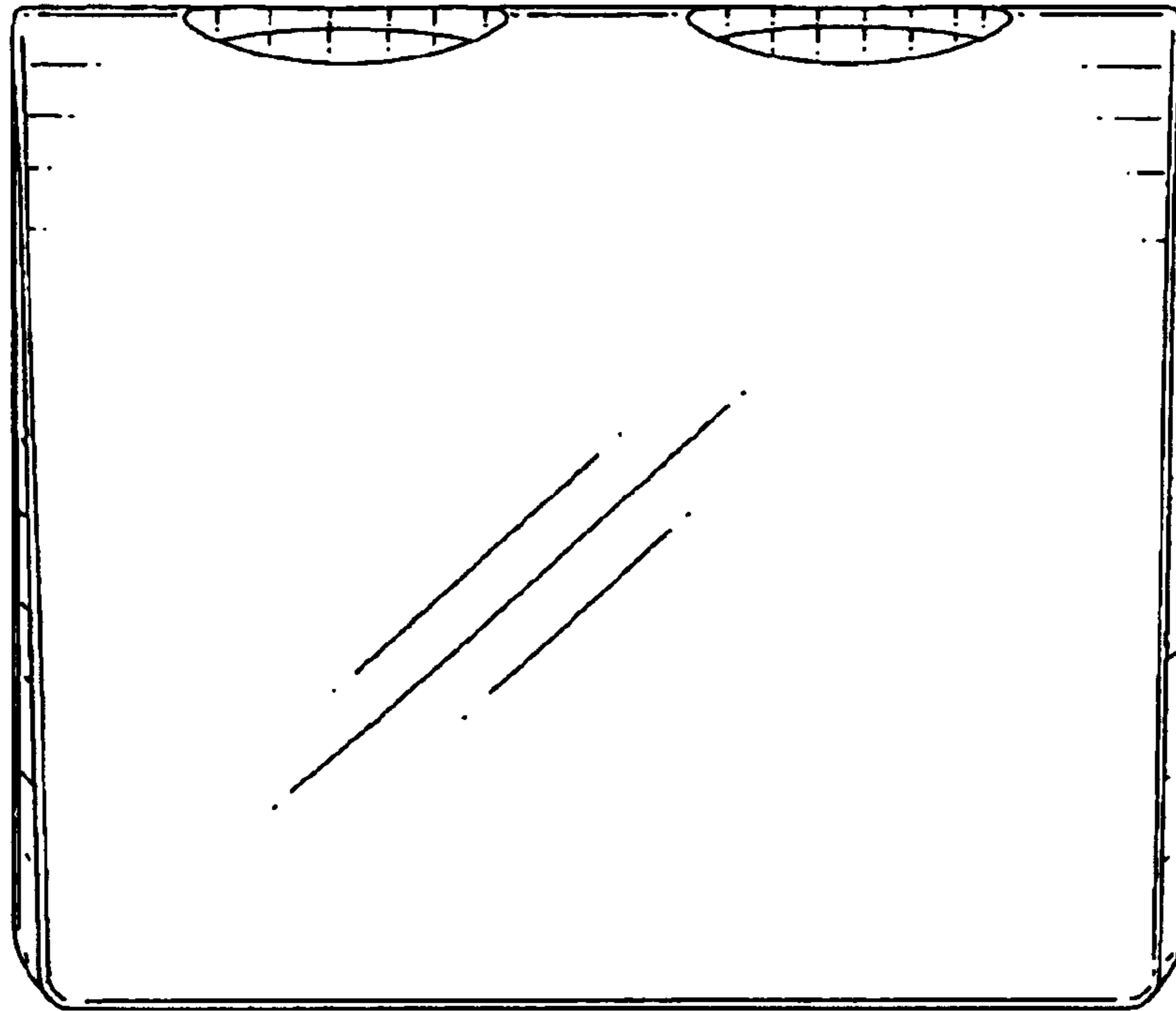


FIG.7

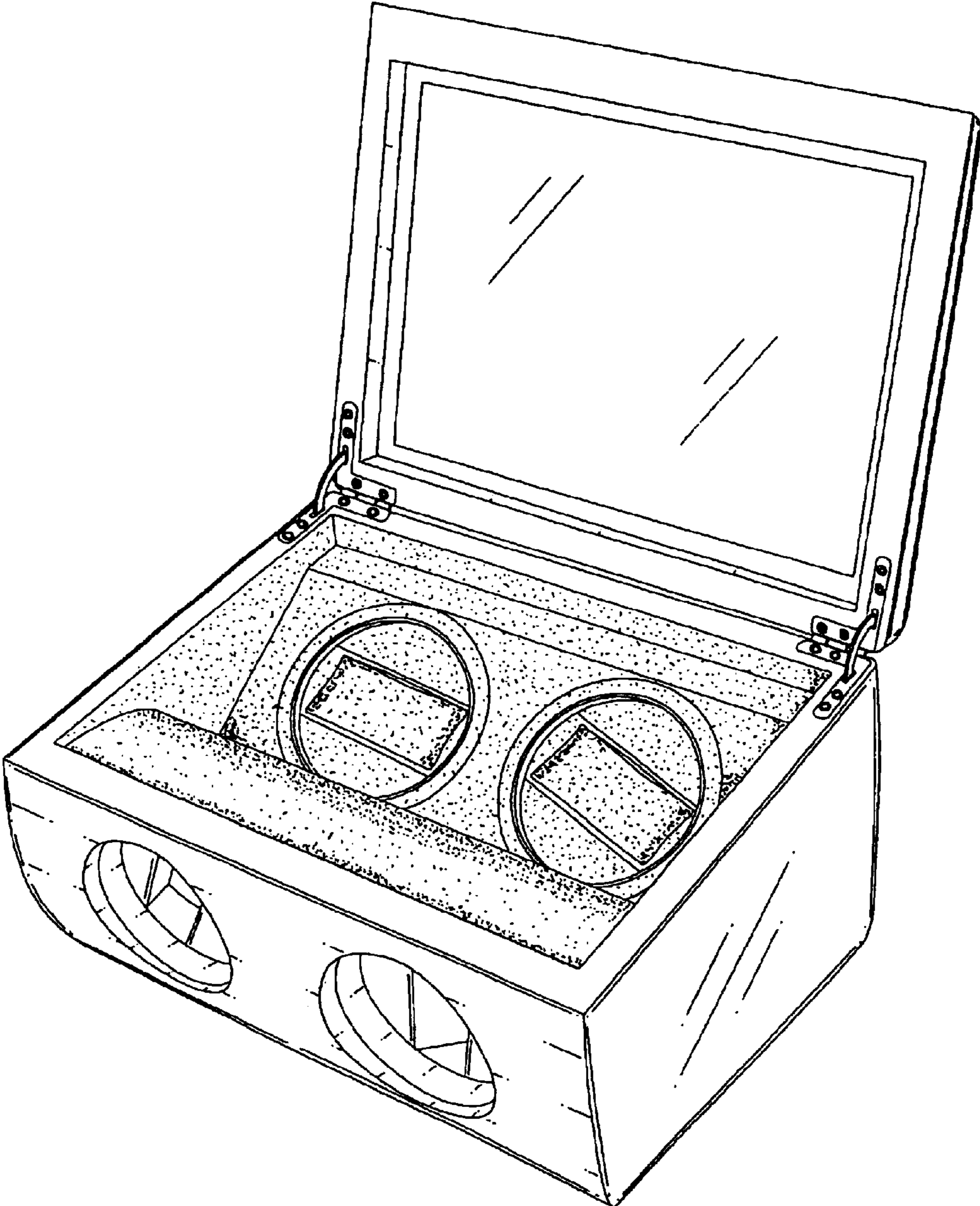


FIG.8

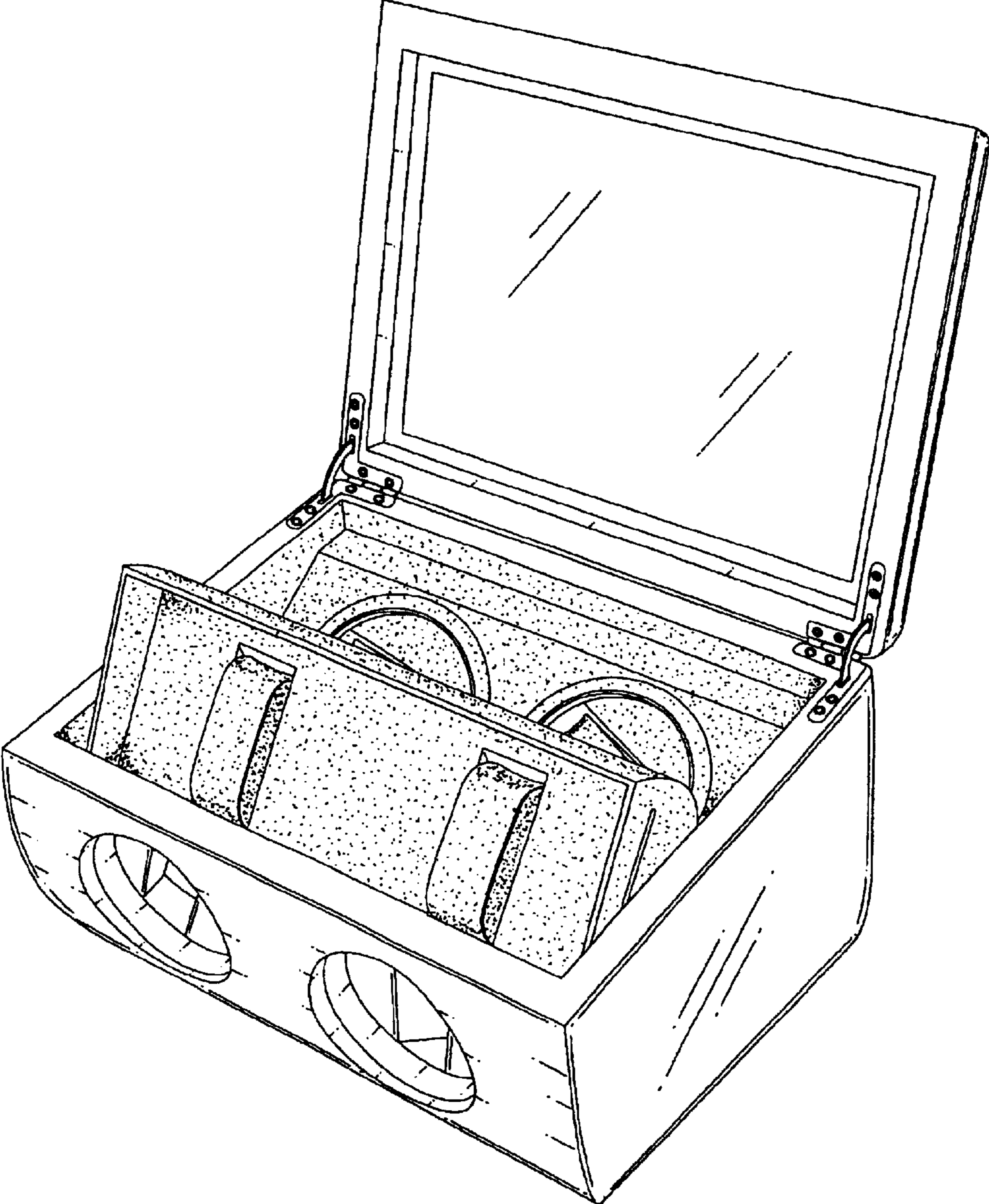


FIG.9

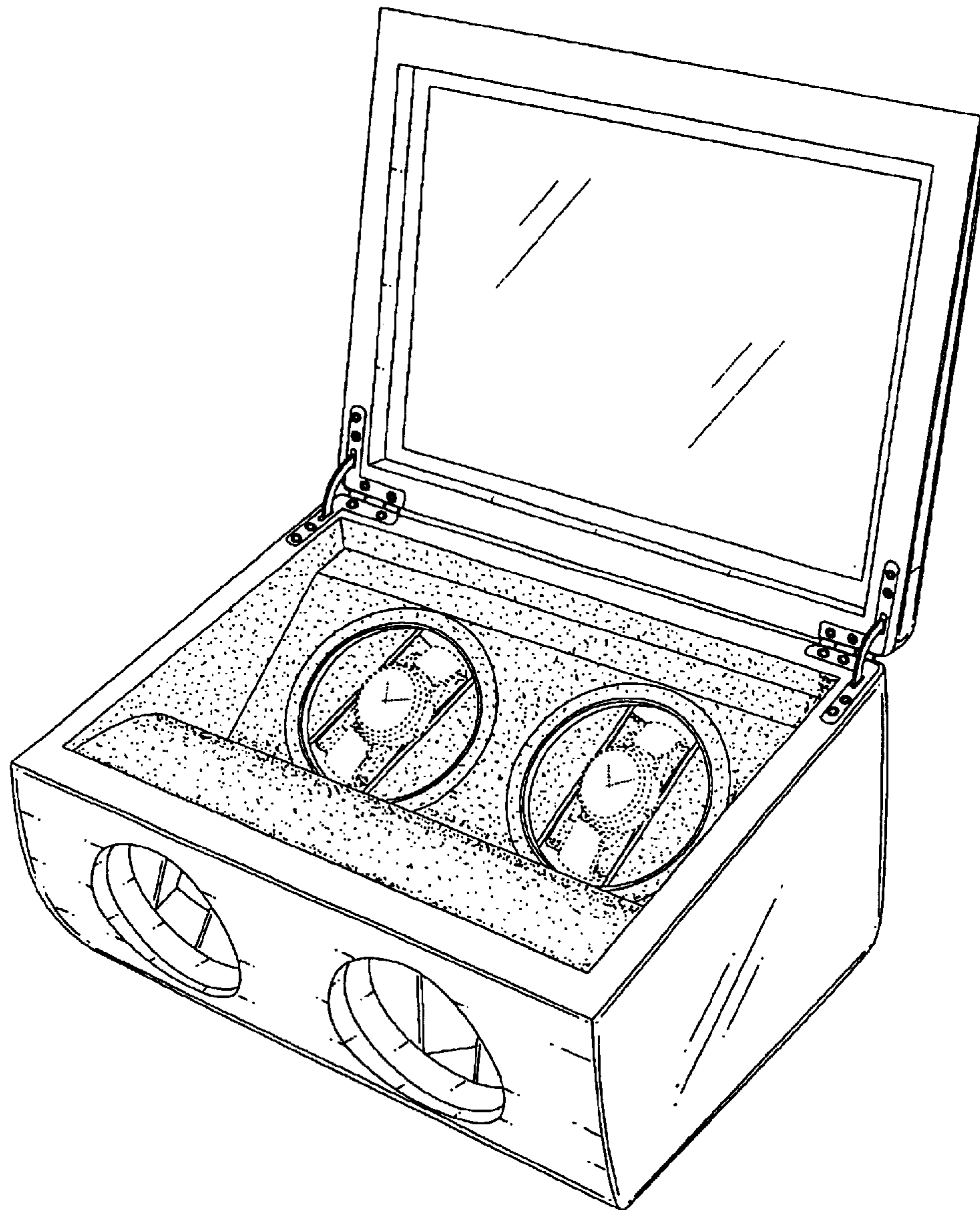


FIG. 10