



US00D514843S

(12) **United States Design Patent**
Vaaler

(10) **Patent No.:** **US D514,843 S**

(45) **Date of Patent:** **** Feb. 14, 2006**

- (54) **BED**
- (75) **Inventor:** **Lawrence I. Vaaler**, Boone, NC (US)
- (73) **Assignee:** **Bernhardt, L.L.C.**, Lenoir, NC (US)
- (**) **Term:** **14 Years**
- (21) **Appl. No.:** **29/211,064**
- (22) **Filed:** **Aug. 11, 2004**
- (51) **LOC (8) Cl.** **06-01**
- (52) **U.S. Cl.** **D6/393**
- (58) **Field of Classification Search** **D6/382,**
D6/385, 388-395, 505-508; 5/53.1, 907,
5/279.1, 280, 281, 2.1, 308
See application file for complete search history.

- D392,811 S * 3/1998 Bergelin D6/393
- D443,773 S 6/2001 O'Hare et al. D6/393
- D488,317 S * 4/2004 Wanek et al. D6/393
- D492,502 S * 7/2004 Domack D6/393
- D503,860 S * 4/2005 Peterson et al. D6/393

* cited by examiner

Primary Examiner—Janice E. Seeger

(74) *Attorney, Agent, or Firm*—MacCord Mason PLLC

(57) **CLAIM**

The ornamental design for a bed, as shown and described.

DESCRIPTION

FIG. 1 is a perspective view of a bed showing my new design;

FIG. 2 is a front view thereof taken from outside the footboard; and,

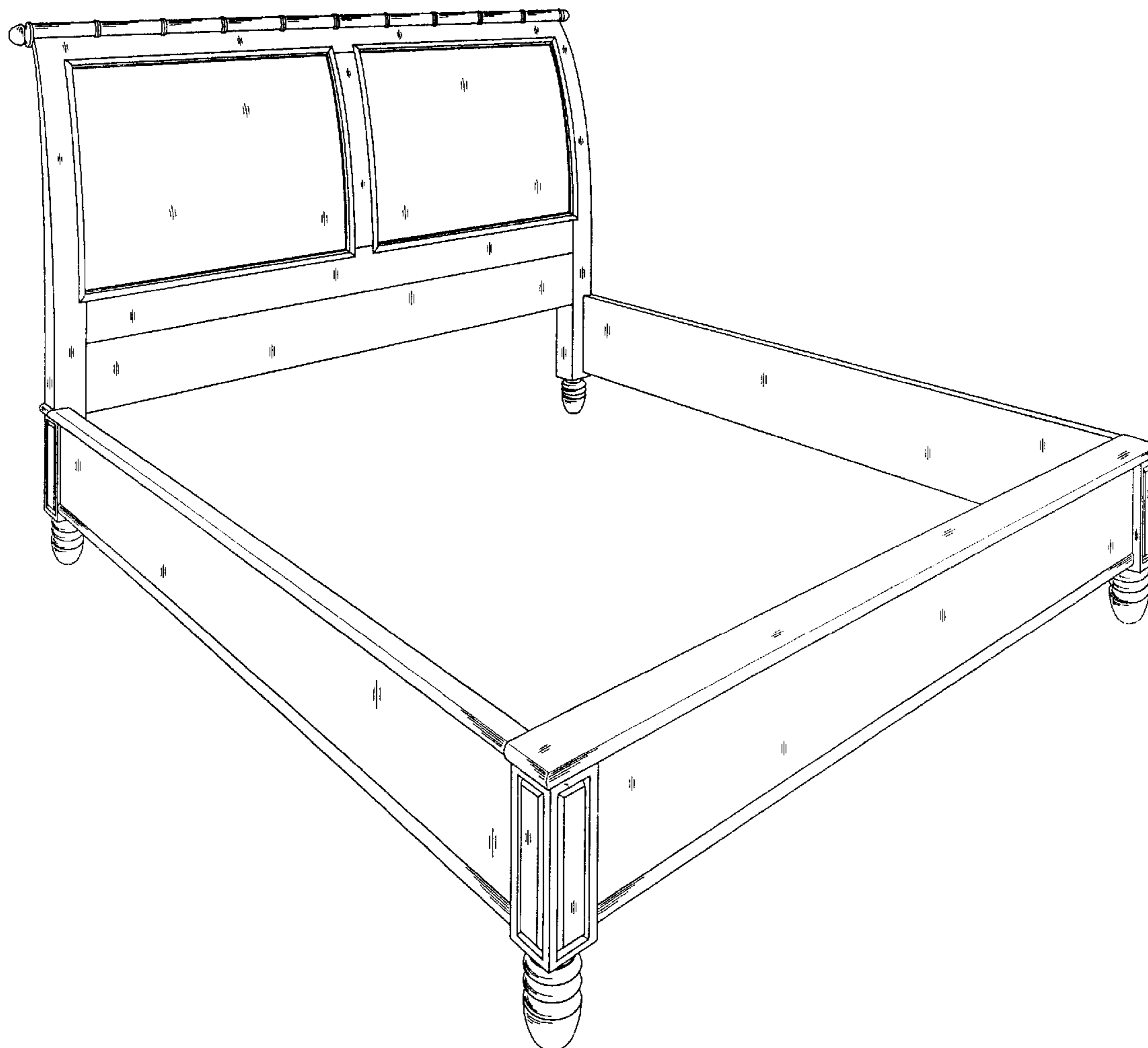
FIG. 3 is a side view, the opposite side being a mirror image thereof.

(56) **References Cited**

U.S. PATENT DOCUMENTS

- D210,998 S * 5/1968 Barr D6/508

1 Claim, 3 Drawing Sheets



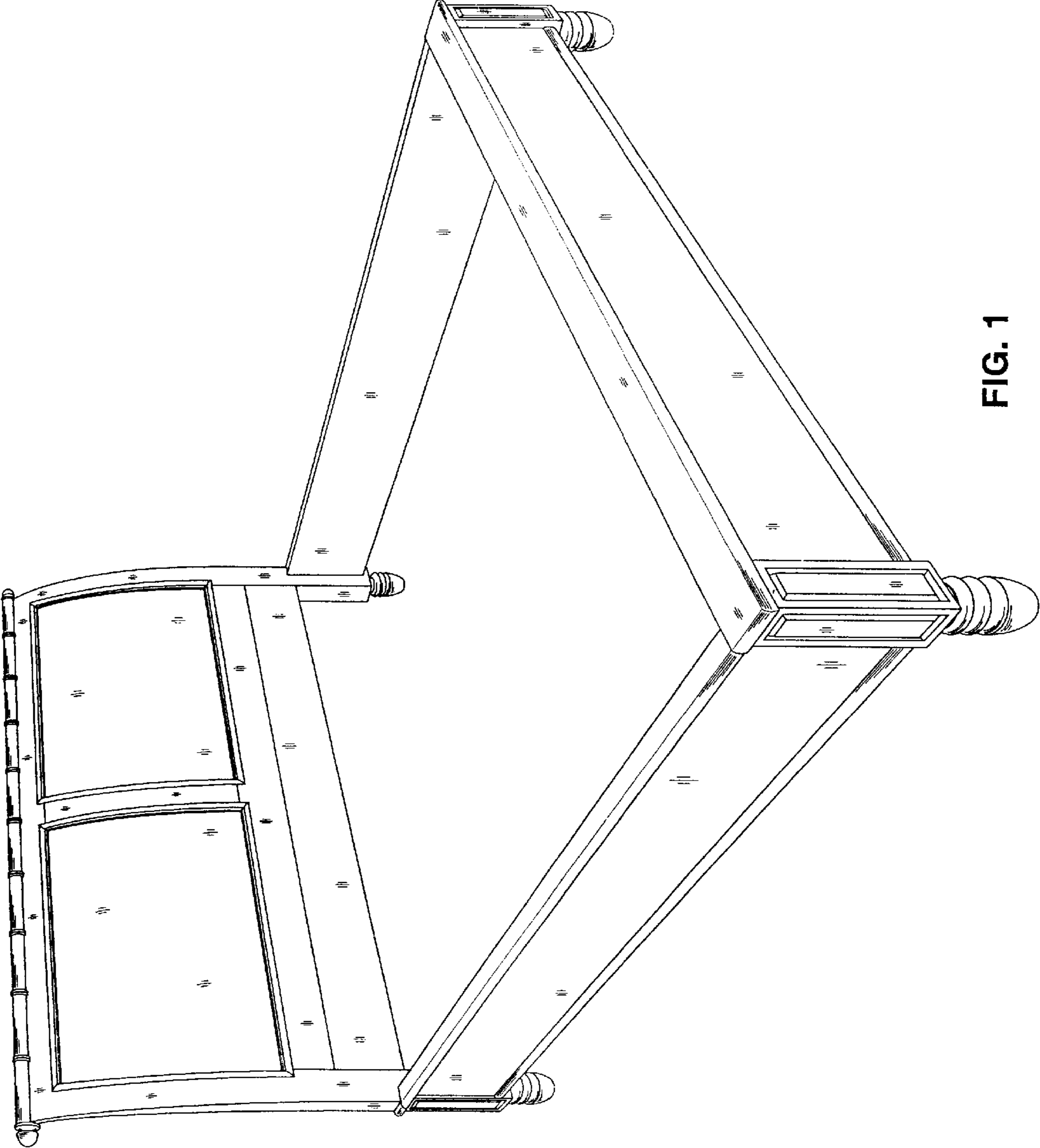


FIG. 1

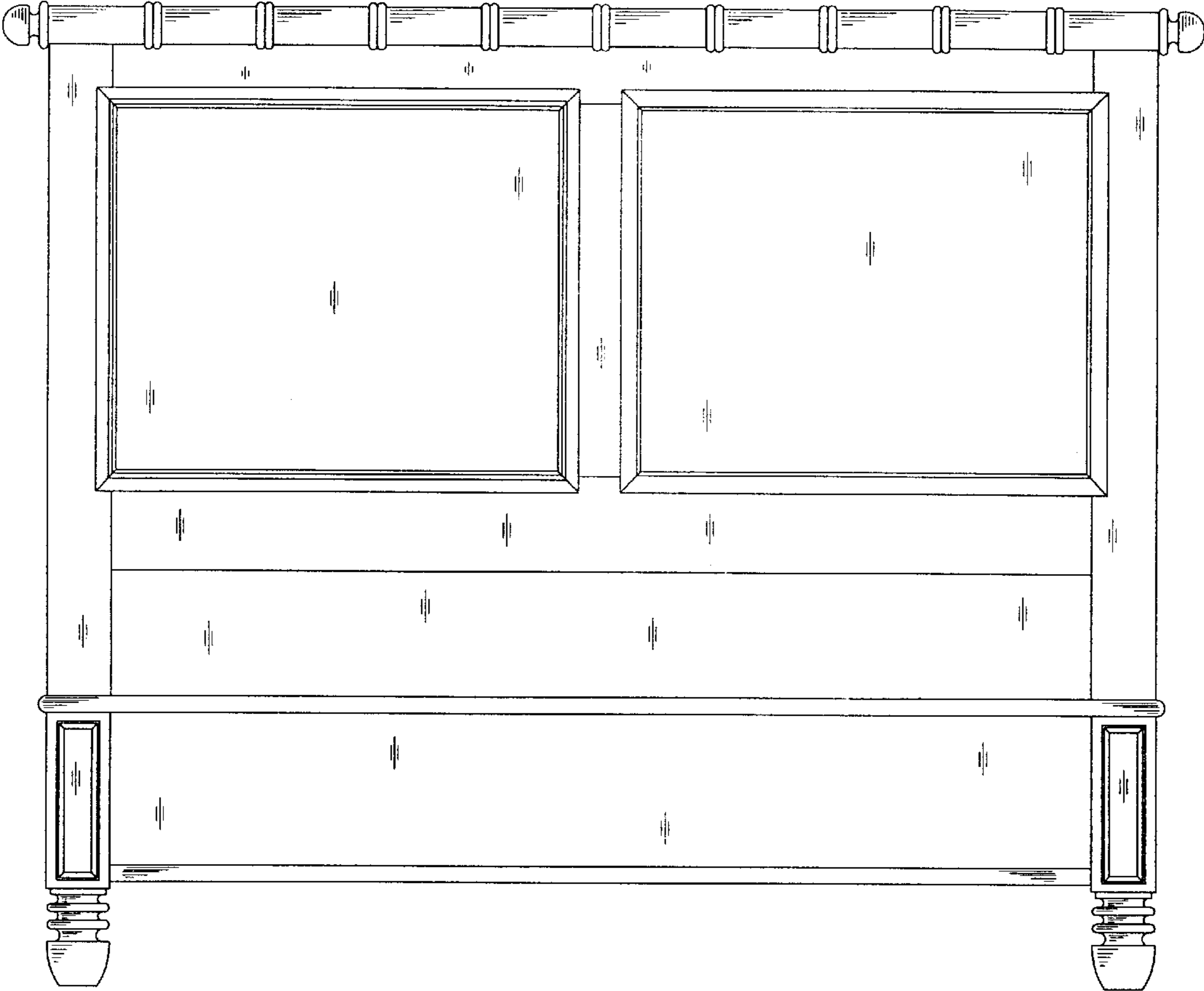


FIG. 2

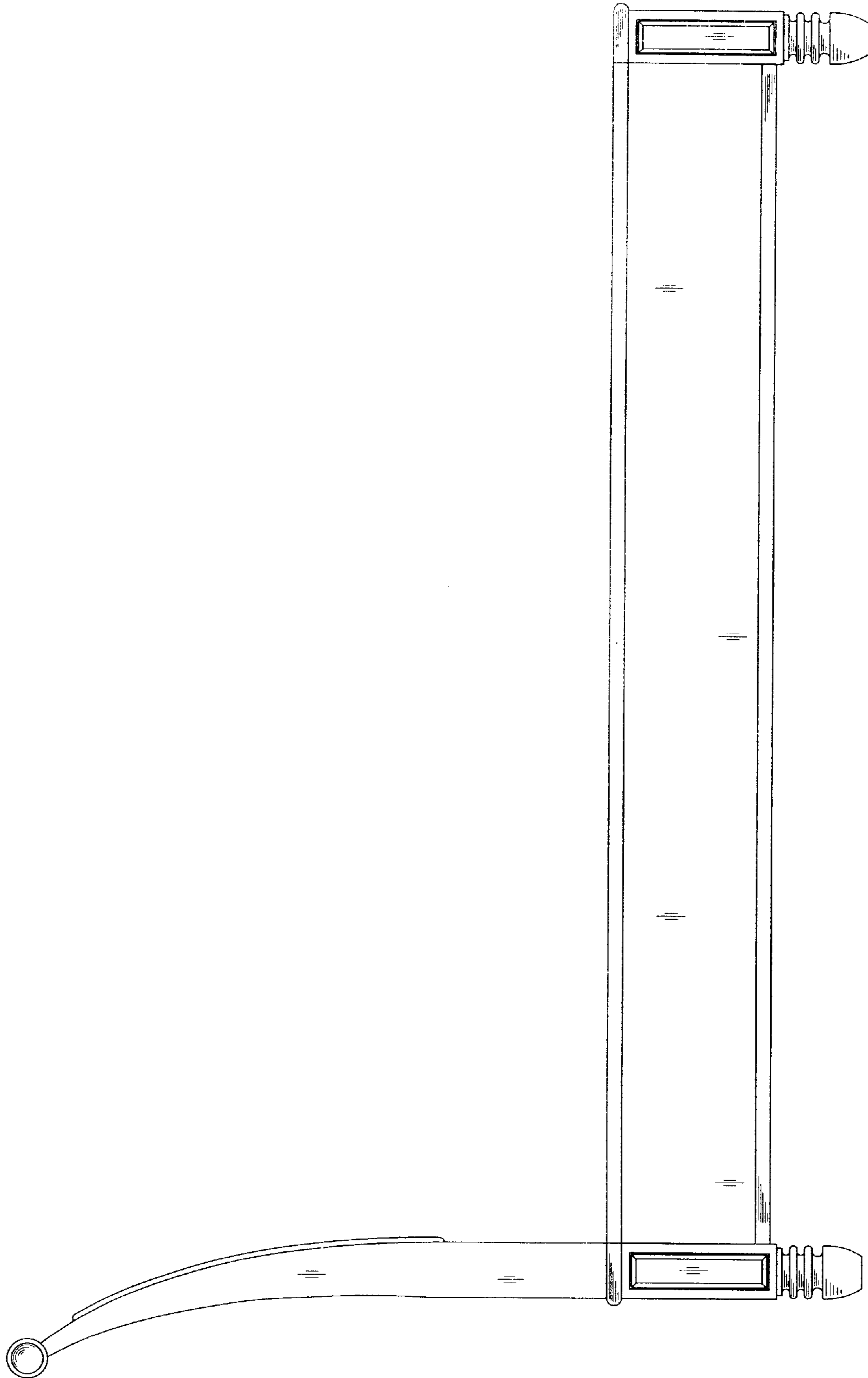


FIG. 3