



US00D514841S

(12) **United States Design Patent**  
**Ricci**

(10) **Patent No.: US D514,841 S**  
(45) **Date of Patent: \*\* Feb. 14, 2006**

- (54) **SEAT**
- (75) **Inventor: Luca Ricci, Forli (IT)**
- (73) **Assignee: DeCoro Ltd., Fanling (HK)**
- (\*\*) **Term: 14 Years**

D482,892 S	*	12/2003	Ricci	.....	D6/381
D482,894 S	*	12/2003	Ricci	.....	D6/381
D482,895 S	*	12/2003	Ricci	.....	D6/381
D482,896 S	*	12/2003	Ricci	.....	D6/381
D489,914 S	*	5/2004	Ricci	.....	D6/381
D497,267 S	*	10/2004	Ricci	.....	D6/381

- (21) **Appl. No.: 29/197,967**
- (22) **Filed: Jan. 22, 2004**
- (51) **LOC (8) Cl. .... 06-01**
- (52) **U.S. Cl. .... D6/381; D6/334**
- (58) **Field of Classification Search ..... D6/334-336,  
D6/364, 371, 381, 500-502; 5/12.1; 297/232,  
297/445.1**  
See application file for complete search history.

**OTHER PUBLICATIONS**

De Coro Ltd. Sofa Model No. 125, Apr. 1998, at the International Home Furnishings Market in High Point, N.C.  
De Coro Ltd. Sofa Model No. 130, Apr. 1998, at the International Home Furnishings Market in High Point, N.C.

(Continued)

*Primary Examiner*—Gary D. Watson  
(74) *Attorney, Agent, or Firm*—Luce, Forward, Hamilton & Scripps LLP

(56) **References Cited**

**U.S. PATENT DOCUMENTS**

D364,975 S	12/1995	Natuzzi et al.	
D390,371 S	* 2/1998	Gibson	..... D6/381
D393,758 S	4/1998	Natuzzi et al.	
D400,368 S	11/1998	Natuzzi et al.	
D407,572 S	4/1999	Natuzzi et al.	
D407,573 S	4/1999	Natuzzi et al.	
D421,193 S	2/2000	Natuzzi et al.	
D429,080 S	8/2000	Natuzzi et al.	
D431,124 S	9/2000	Natuzzi et al.	
D431,928 S	10/2000	Natuzzi et al.	
D434,245 S	11/2000	Natuzzi et al.	
D439,759 S	4/2001	Natuzzi et al.	
D445,587 S	7/2001	Natuzzi et al.	
D448,945 S	10/2001	Natuzzi et al.	
D470,323 S	2/2003	Ricci	
D470,328 S	2/2003	Ricci	
D473,394 S	4/2003	Natuzzi et al.	
D474,907 S	5/2003	Ricci	
D475,861 S	6/2003	Ricci	
D476,164 S	6/2003	Ricci	
D476,166 S	6/2003	Ricci	
D476,497 S	7/2003	Ricci	
D476,500 S	7/2003	Ricci	
D478,224 S	8/2003	Natuzzi et al.	

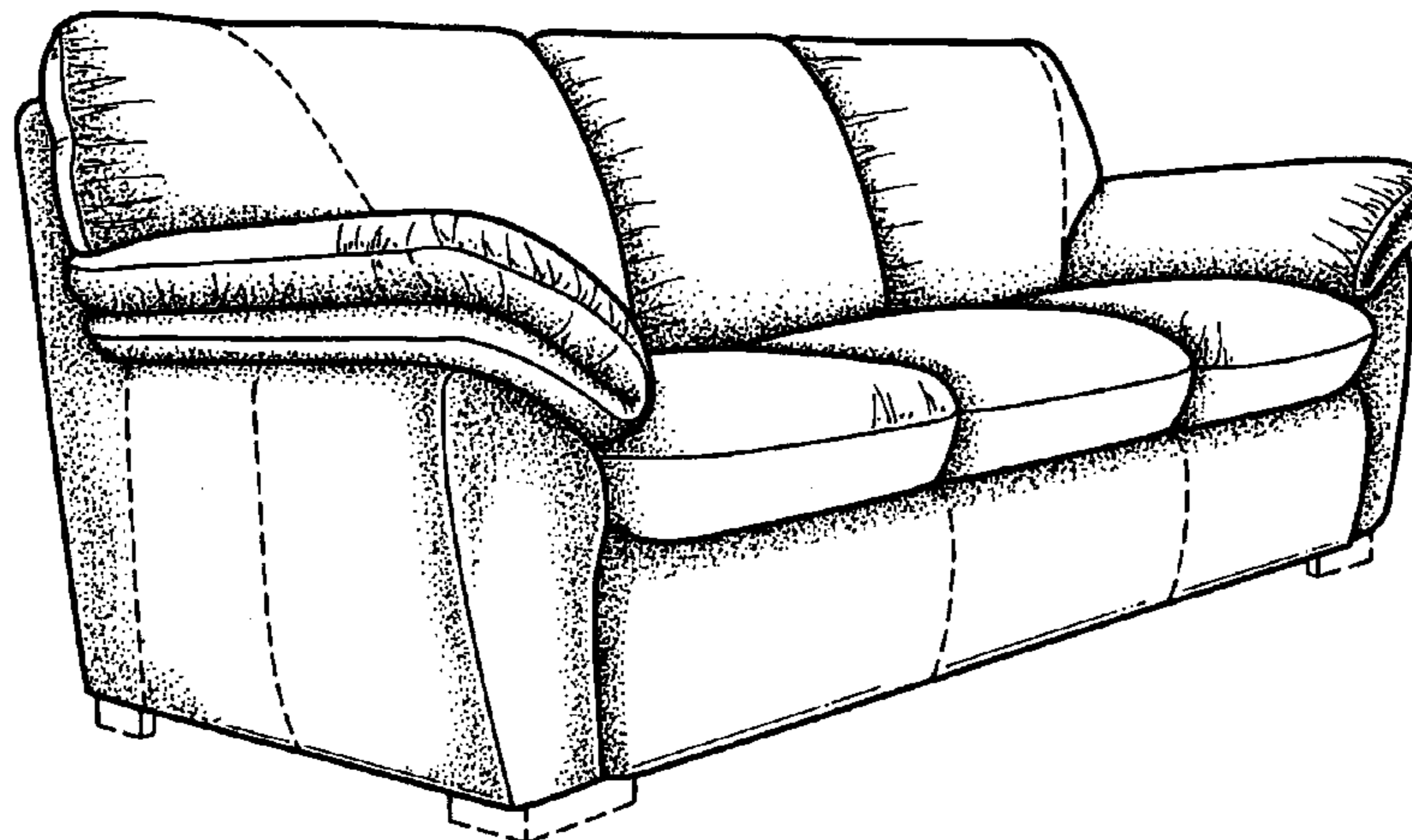
(57) **CLAIM**

The ornamental design for a seat, as shown and described.

**DESCRIPTION**

FIG. 1 is a front perspective view of one embodiment of my new seat design in the form of a sofa;  
FIG. 2 is a front elevation view of the embodiment of FIG. 1;  
FIG. 3 is a left, side elevation view of the embodiment of FIG. 1, with the right side elevational view being a mirror image thereof;  
FIG. 4 is a rear elevation view of the embodiment of FIG. 1;  
FIG. 5 is a front perspective view of a second embodiment of my new seat design in the form of a chair;  
FIG. 6 is a front elevation view of the embodiment of FIG. 5; and,  
FIG. 7 is a rear elevation view of the embodiment of FIG. 5.  
The side elevation view of FIGS. 5, 6, and 7 are like that shown in FIG. 3. The broken line disclosure is for illustrative purposes only and forms no part of the claimed design.

**1 Claim, 4 Drawing Sheets**







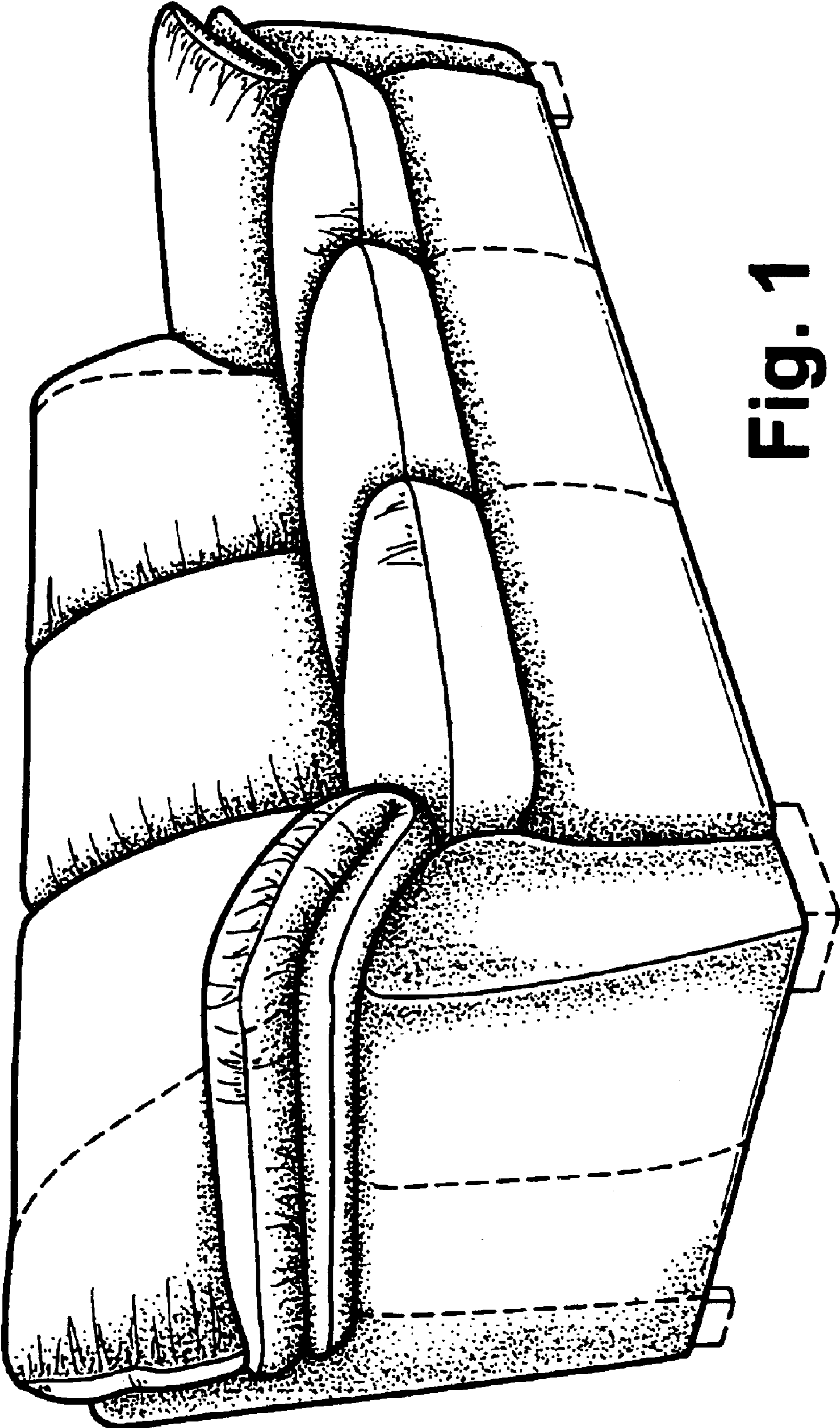


Fig. 1



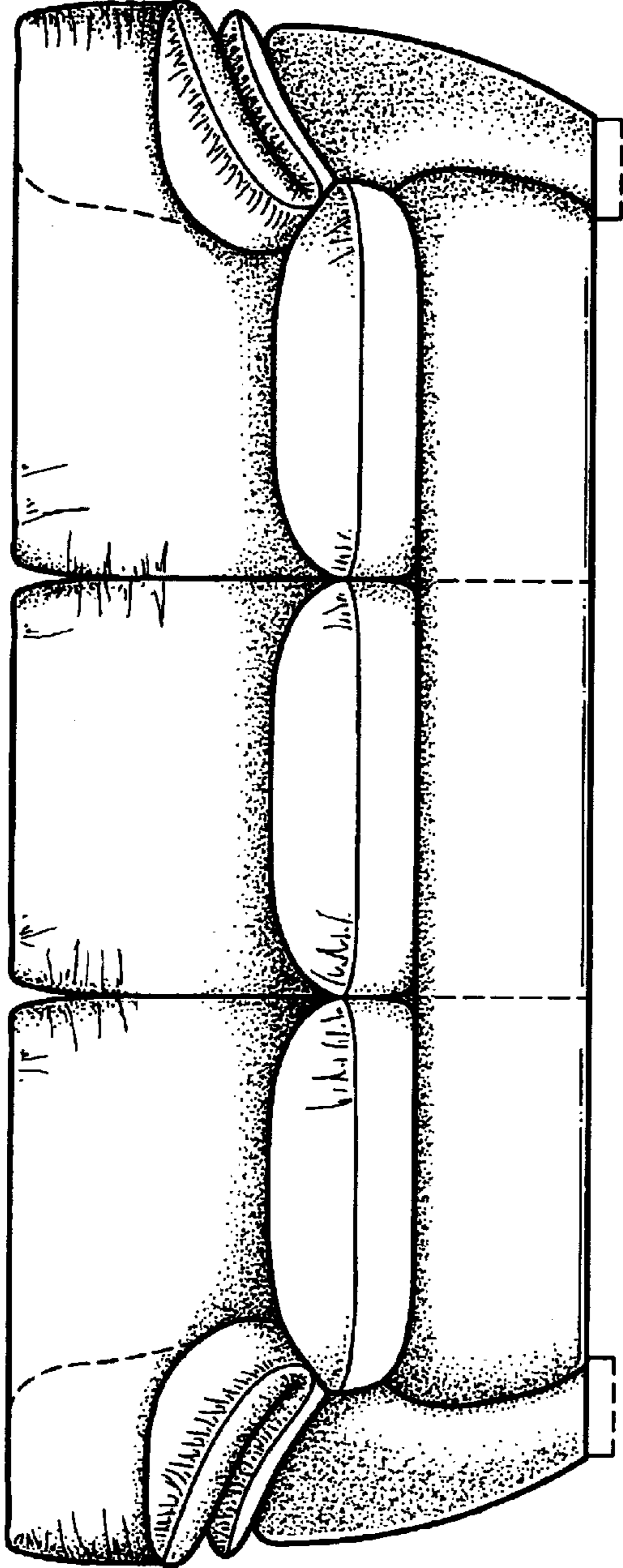


Fig. 2

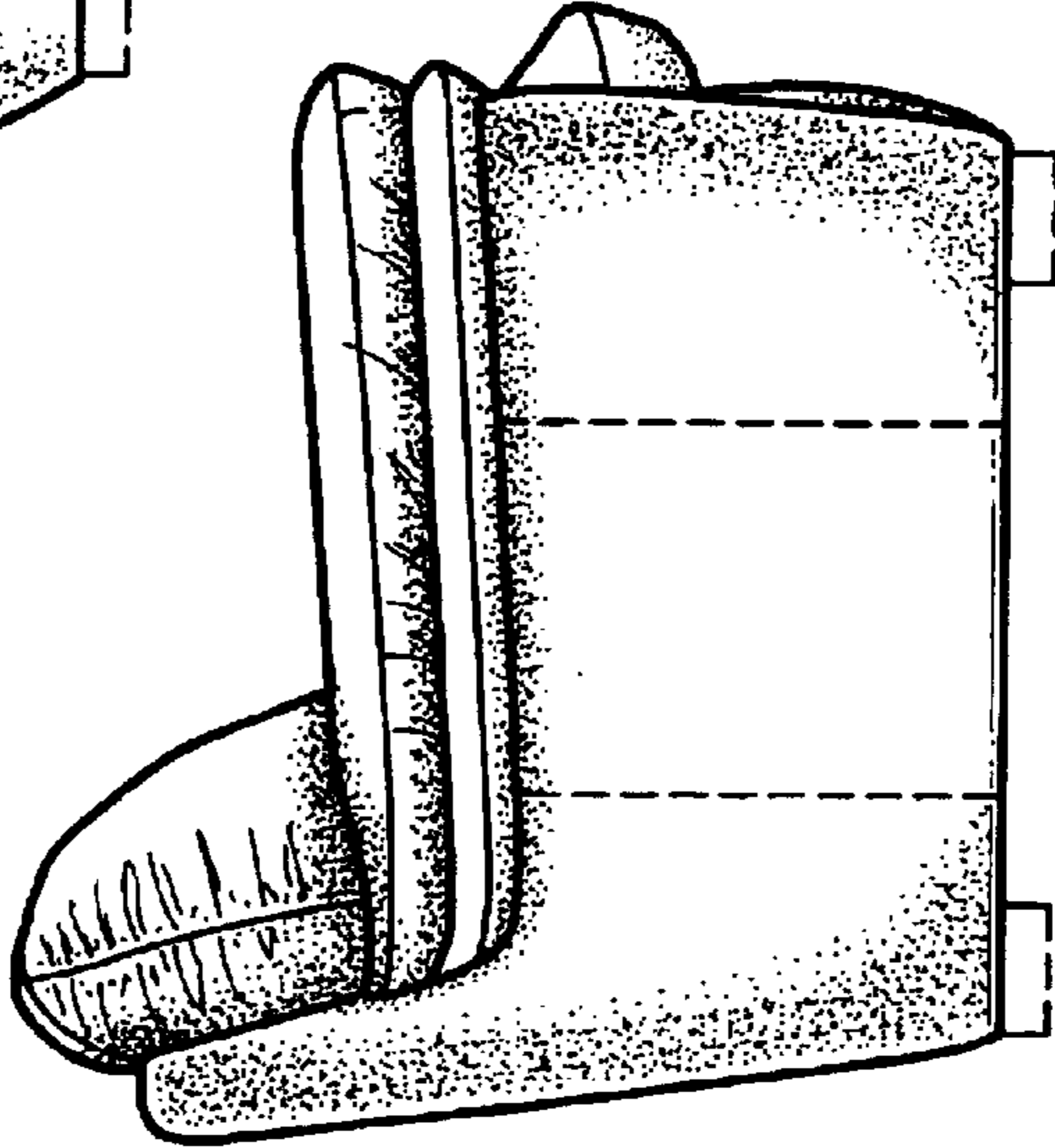


Fig. 3

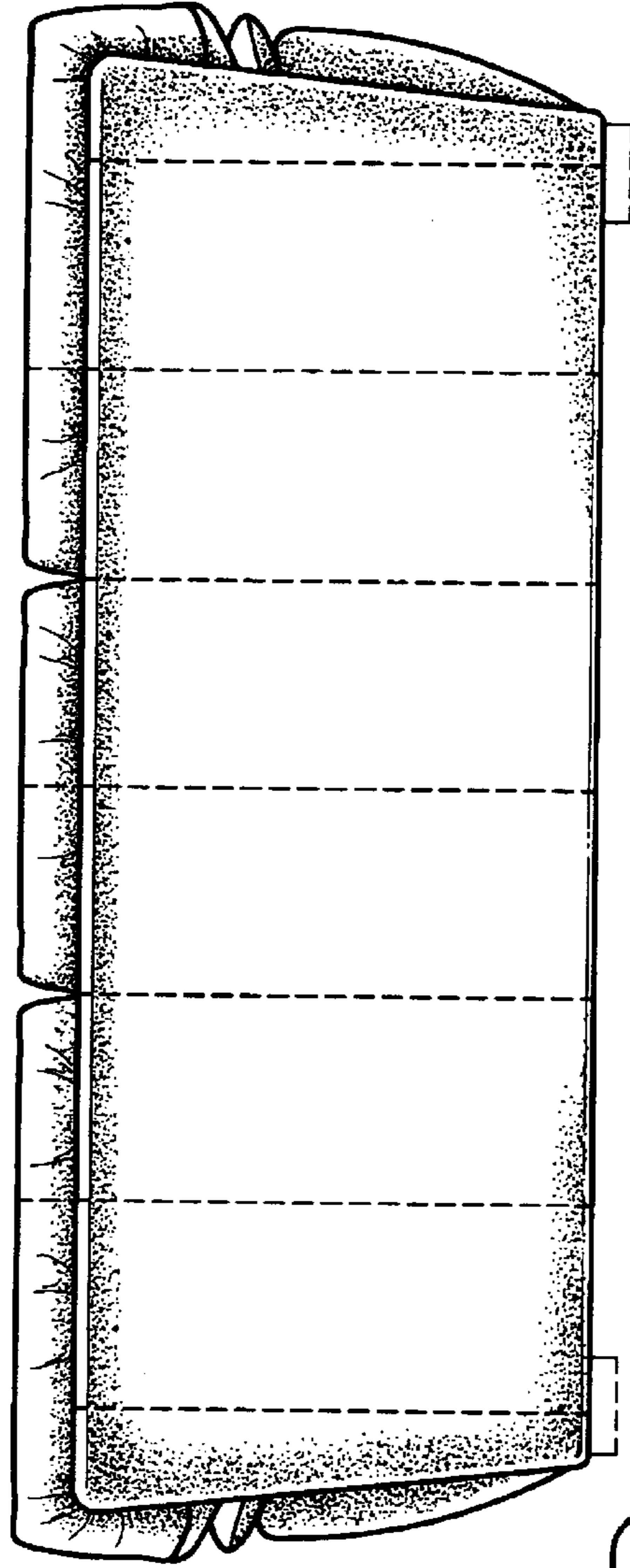


Fig. 4

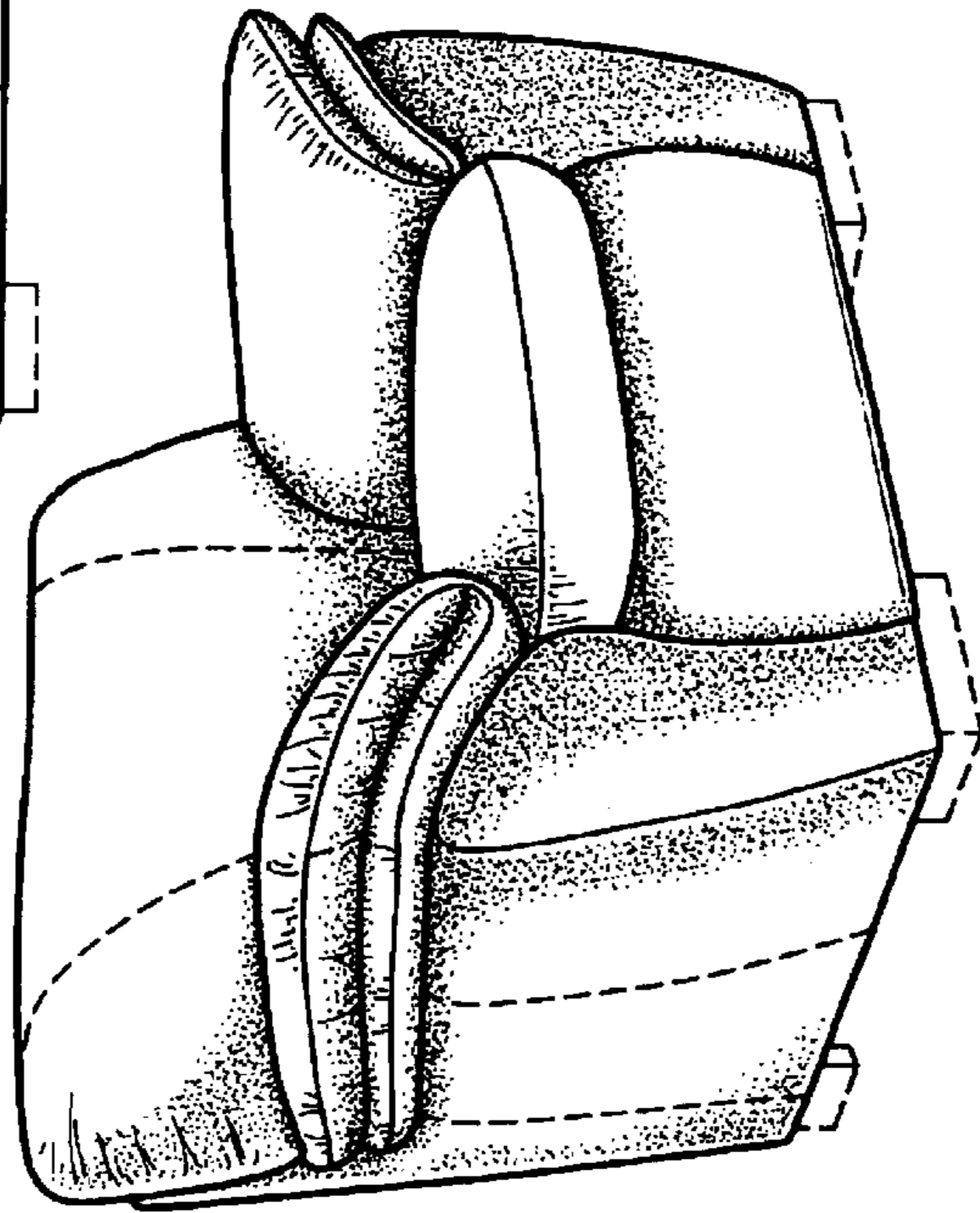


Fig. 5

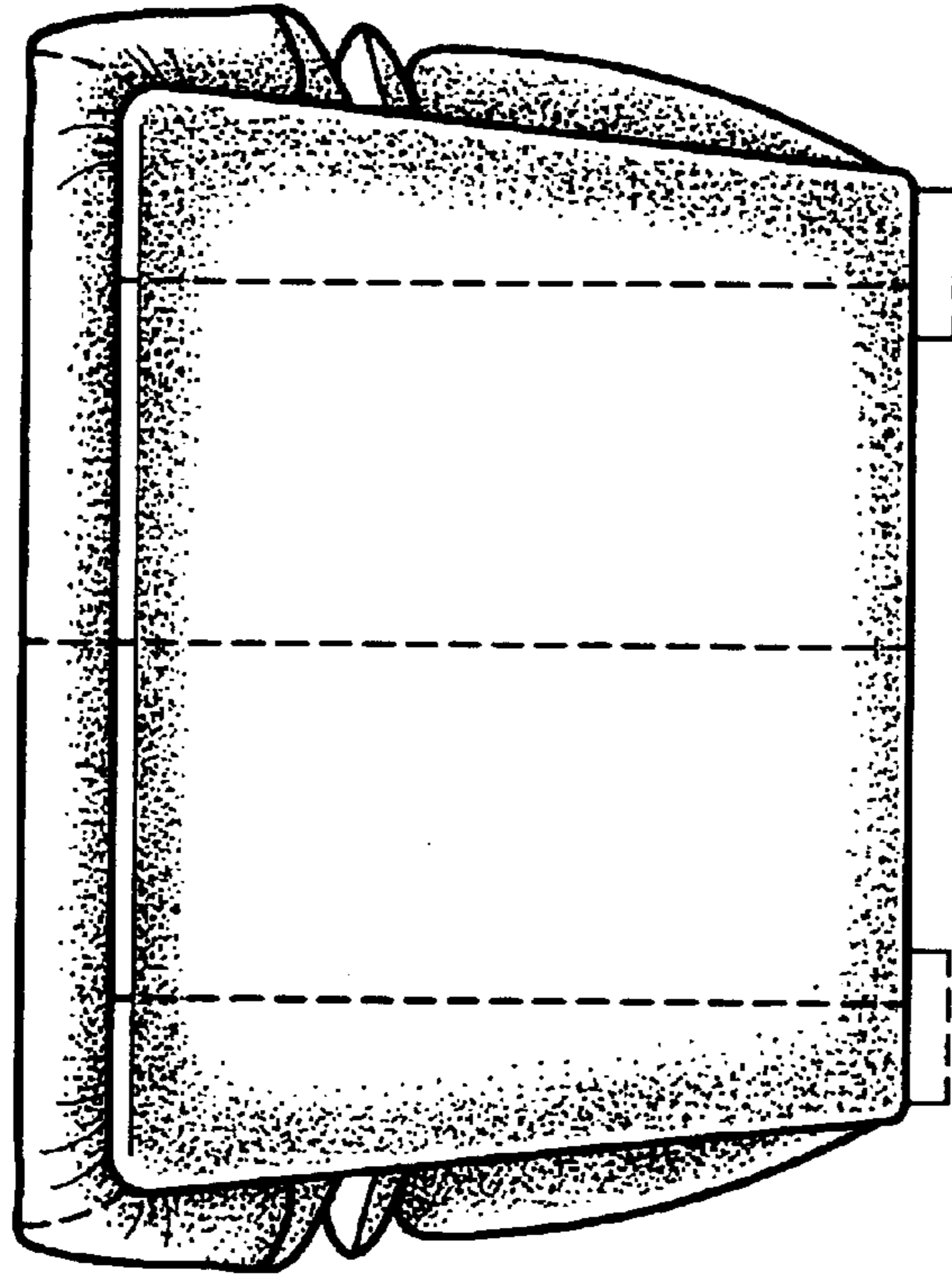


Fig. 7

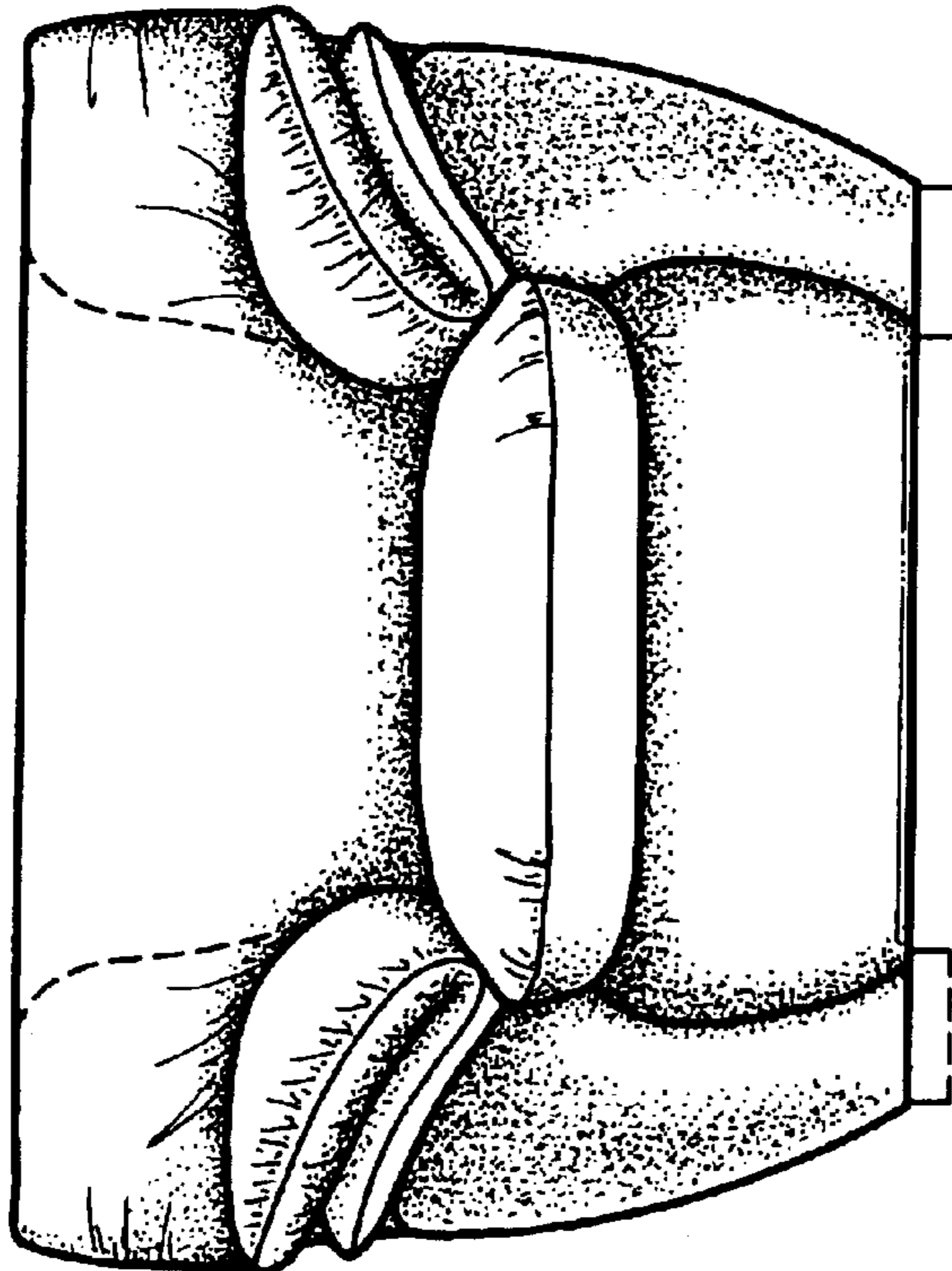


Fig. 6