

US00D514837S

(12) **United States Design Patent**
Muller

(10) **Patent No.:** **US D514,837 S**

(45) **Date of Patent:** **** Feb. 14, 2006**

(54) **SEAT FRAME**

(76) **Inventor:** **Carl A. Muller**, 16451 Barnstable Cir.,
Huntington Beach, CA (US) 92649

(**) **Term:** **14 Years**

(21) **Appl. No.:** **29/189,390**

(22) **Filed:** **Sep. 4, 2003**

(51) **LOC (8) Cl.** **06-01**

(52) **U.S. Cl.** **D6/374; D6/379; D6/380**

(58) **Field of Classification Search** **D6/334-336,**
D6/371-374, 376, 379-380, 500-502; 297/445.1,
297/446.1, 447.1

See application file for complete search history.

(56) **References Cited**

U.S. PATENT DOCUMENTS

D194,031 S	*	11/1962	Jensen et al.	D6/379
D459,604 S	*	7/2002	Piretti	D6/380
D482,206 S	*	11/2003	Ciabatti	D6/376

OTHER PUBLICATIONS

Brindisi Armchair. Smith & Hawken Catalog.*
Gas Chairs. Design Within Reach Catalog. © 2003.*
Veneman Silver collection, designed by John Caldwell, copy
of one photograph, 1999.

Zilli Chair by Zanotta, designed by Roberto Barbieri, copies
of three photographs, 2002.

* cited by examiner

Primary Examiner—Caron D. Veynar

Assistant Examiner—Vy Nguyen

(74) *Attorney, Agent, or Firm*—Heslin Rothenberg Farley
& Mesiti P.C.

(57) **CLAIM**

The ornamental design for a seat frame, as shown and
described.

DESCRIPTION

FIG. 1 is a perspective view of a seat frame in accordance
with the new design;

FIG. 2 is a top view thereof;

FIG. 3 is a front elevational view thereof;

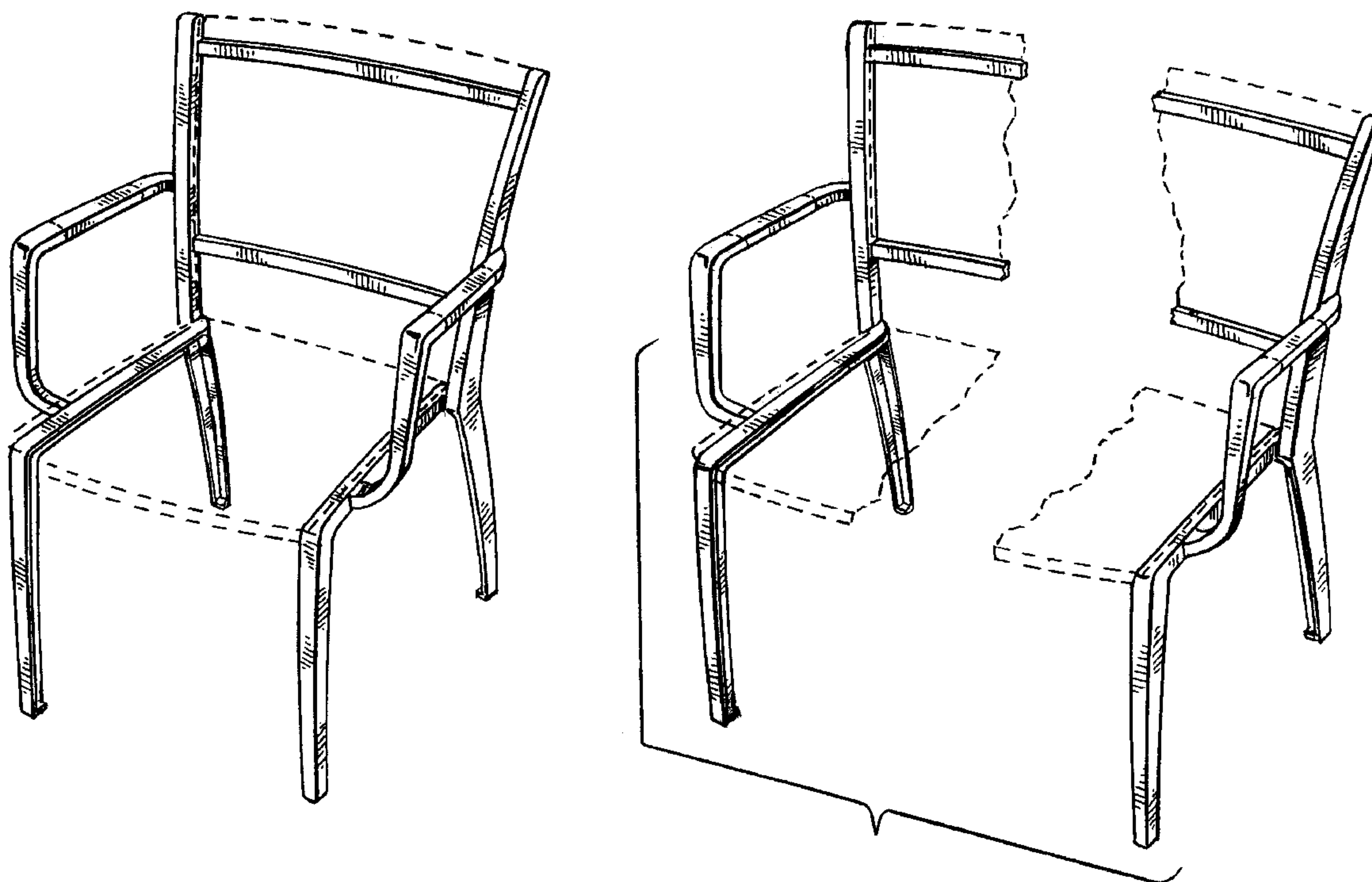
FIG. 4 is a rear elevational view thereof;

FIG. 5 is a right side elevational view thereof, a left side
elevational view being a mirror image thereof; and,

FIG. 6 is a perspective view of an alternative embodiment of
said new design shown in FIGS. 1-5 having an indetermi-
nate width.

The broken lines in the figures are for illustrative purposes
only and form no part of the claimed invention.

1 Claim, 3 Drawing Sheets



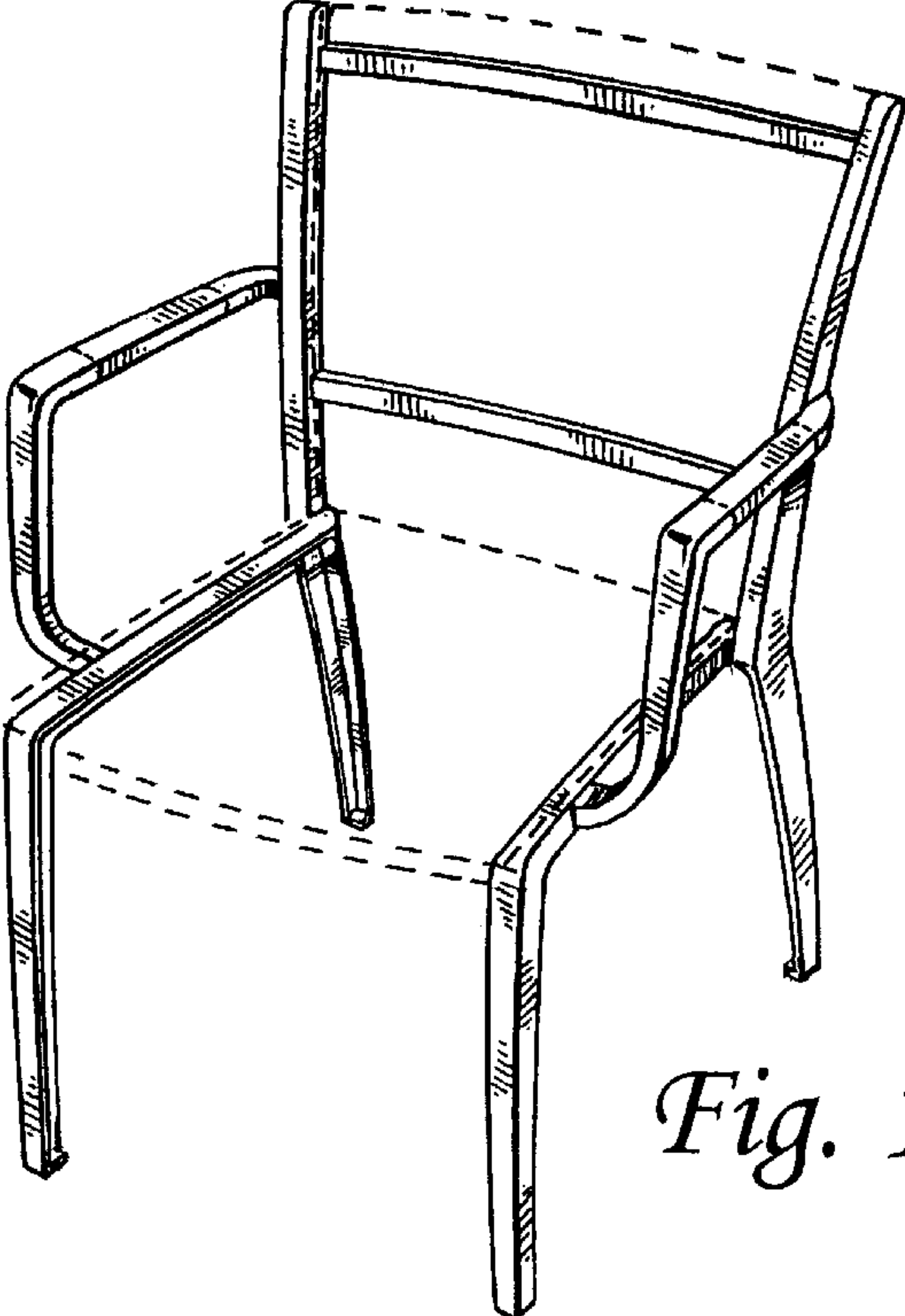


Fig. 1

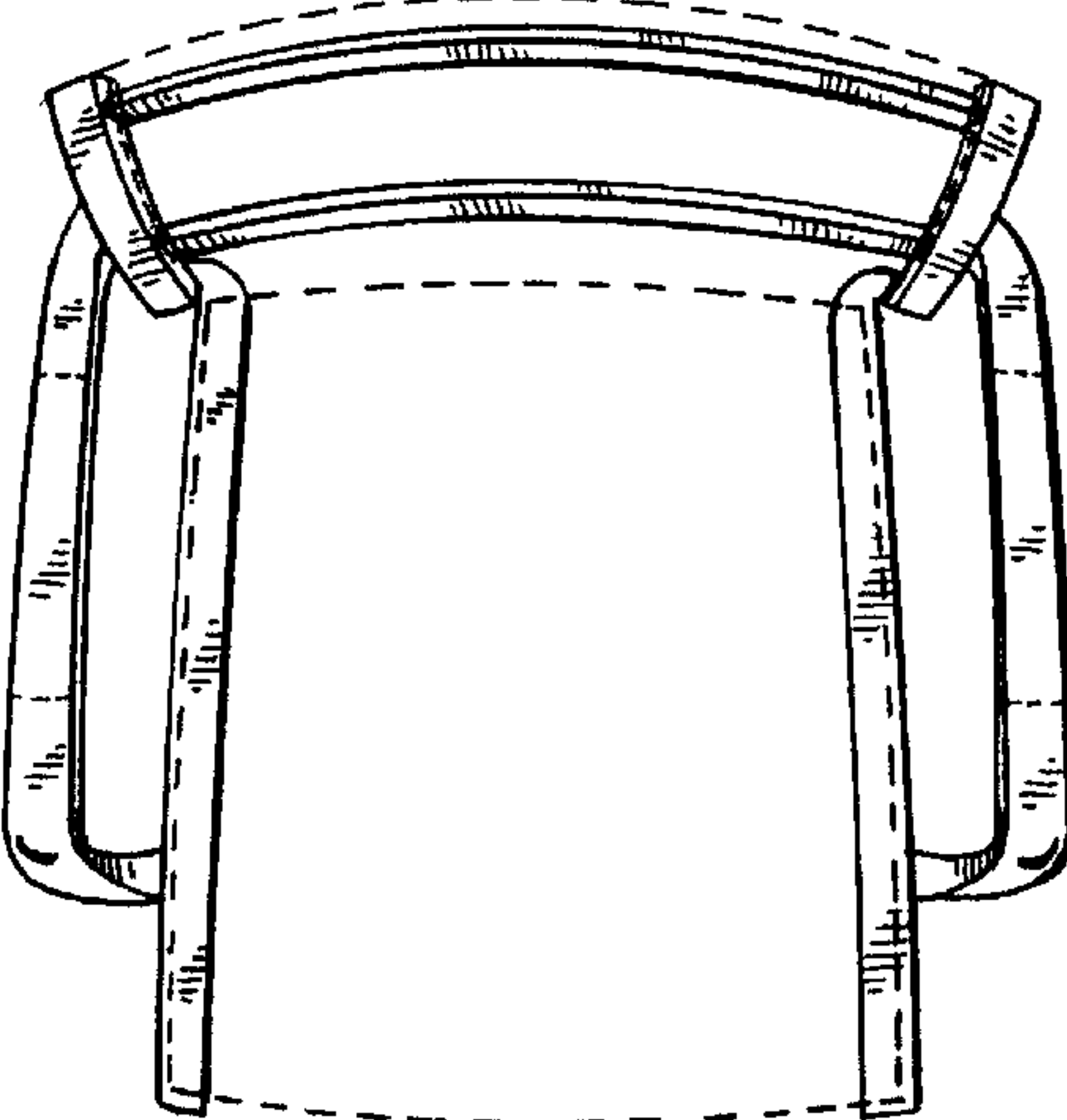


Fig. 2

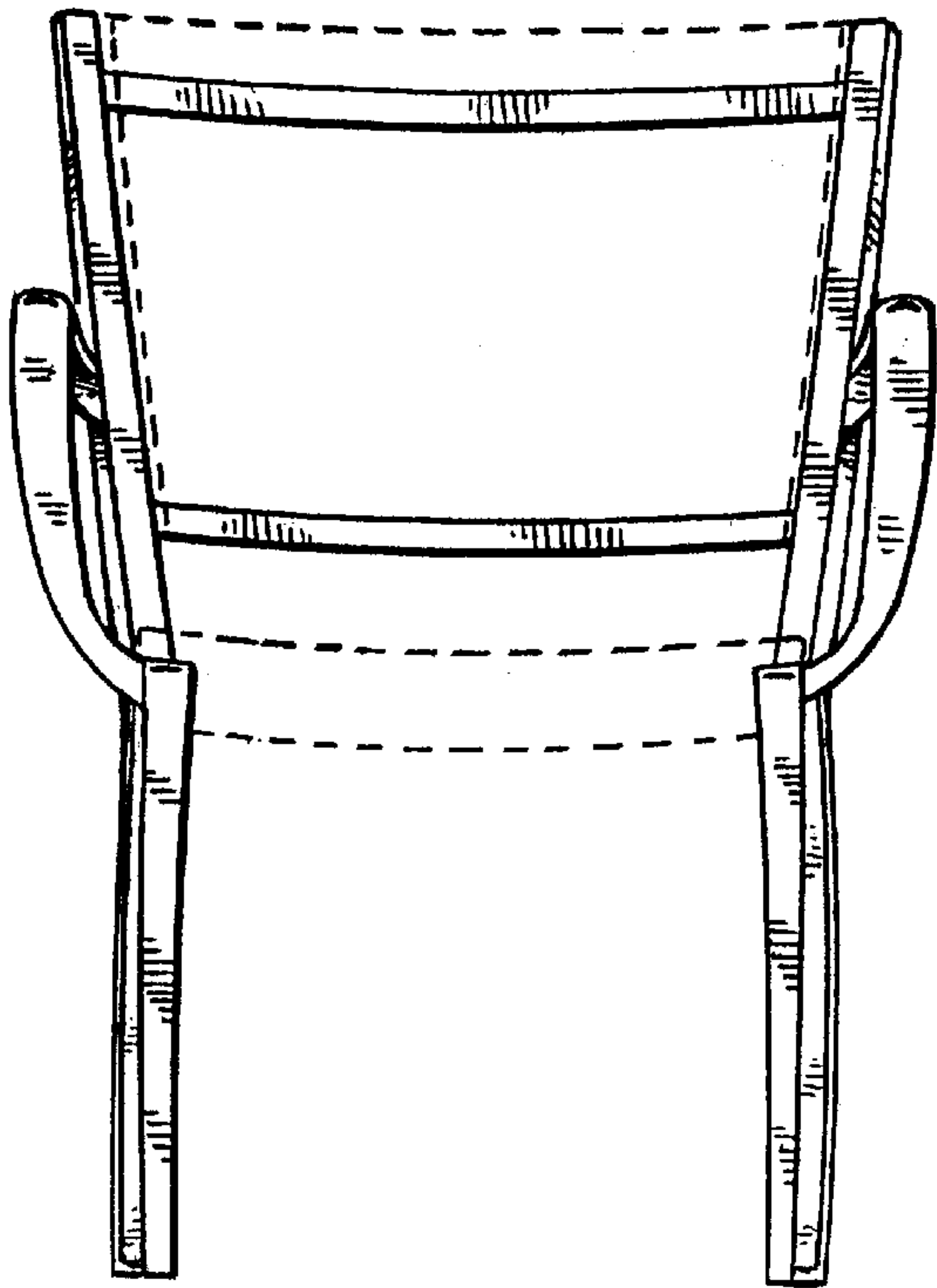


Fig. 3

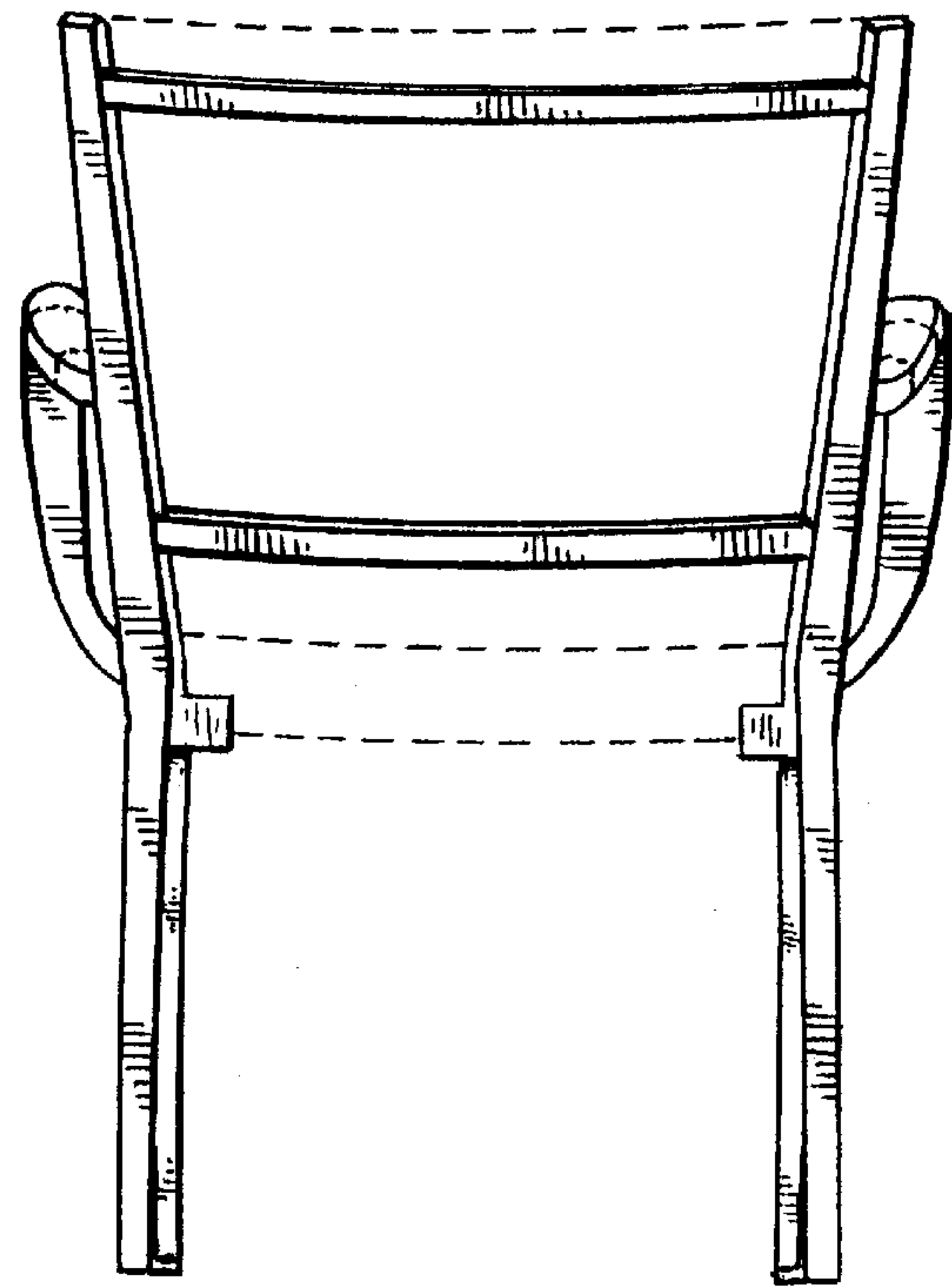


Fig. 4

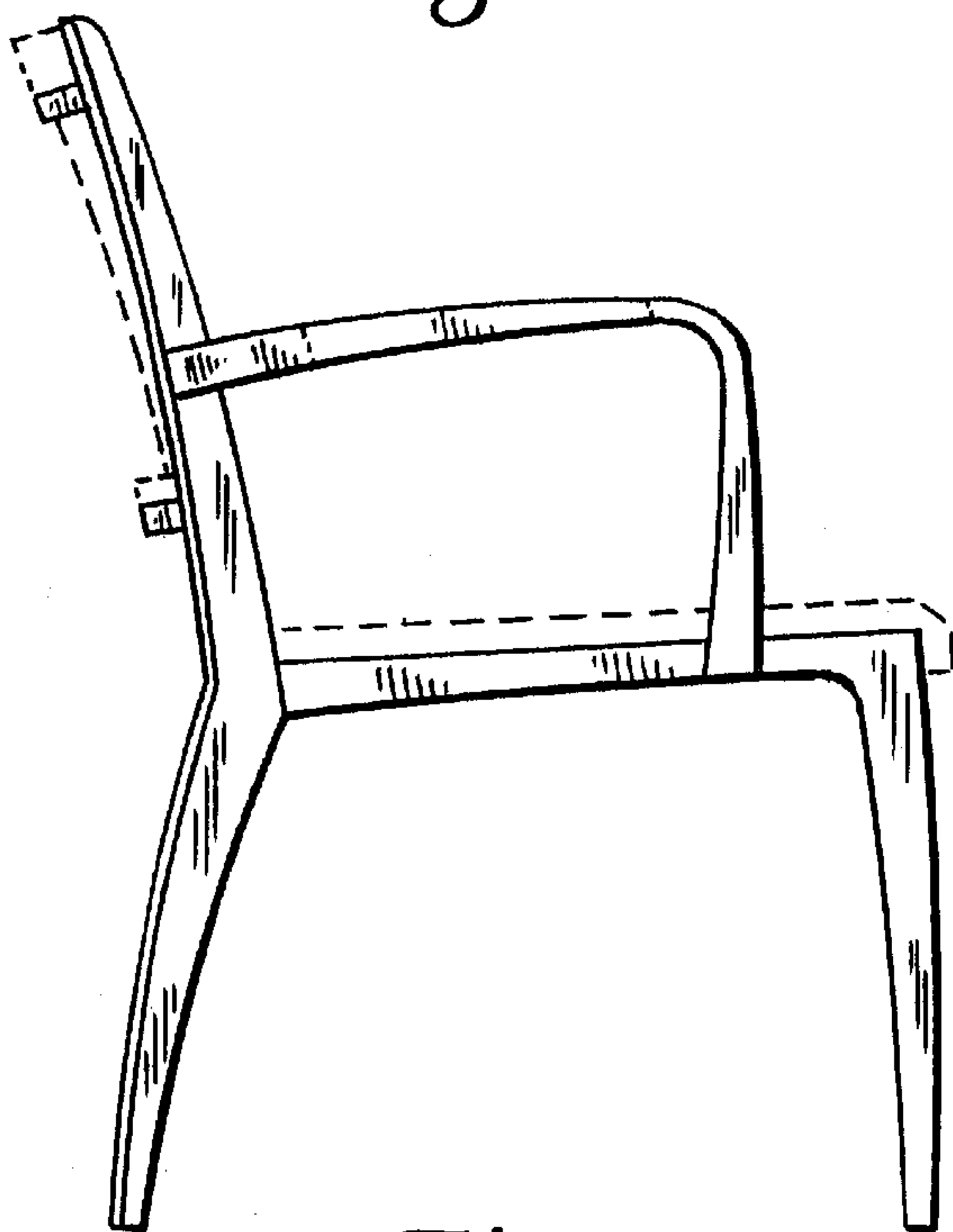


Fig. 5

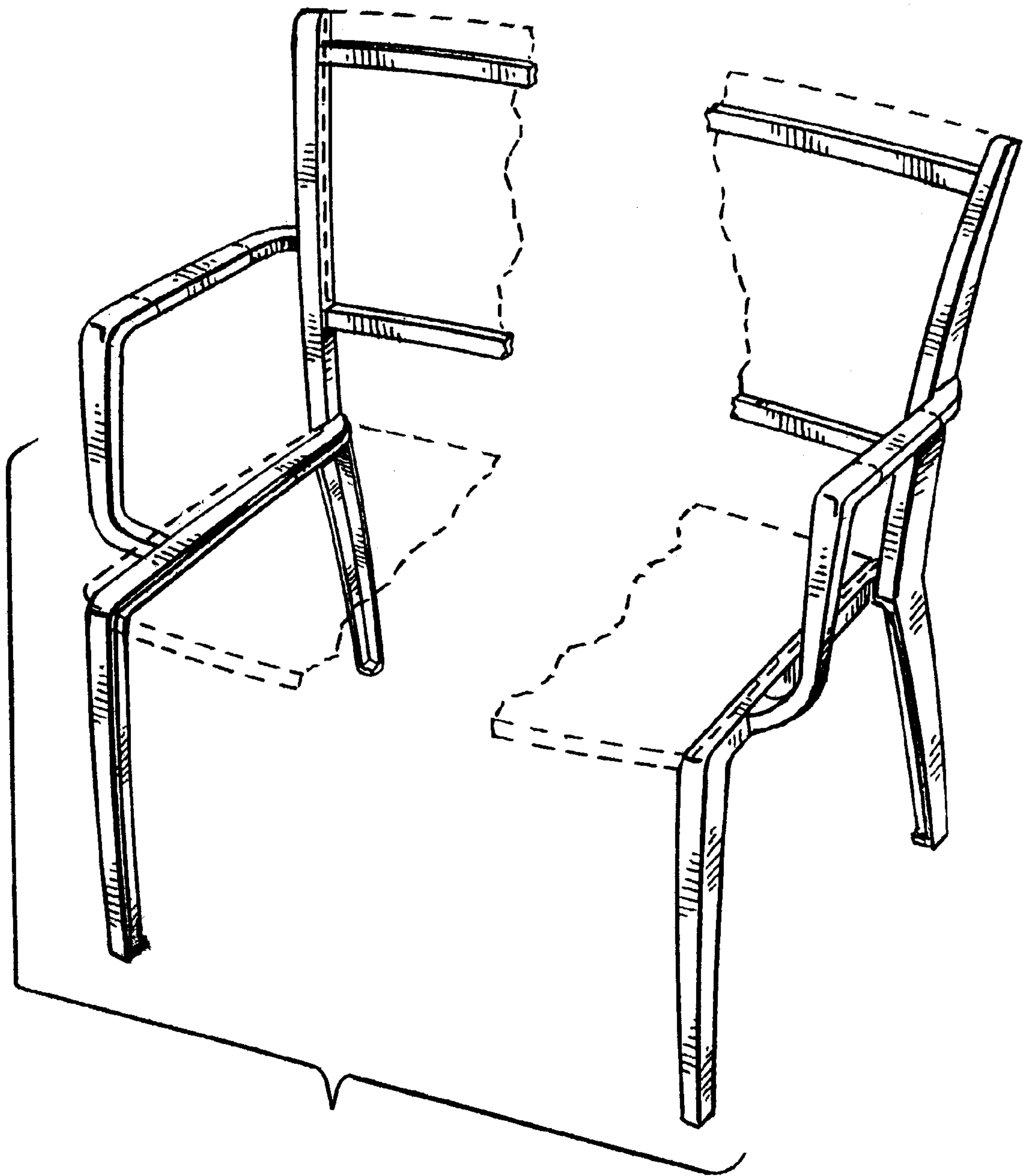


Fig. 6