



US00D514834S

(12) **United States Design Patent**
O'Hare

(10) **Patent No.:** **US D514,834 S**

(45) **Date of Patent:** **** Feb. 14, 2006**

(54) **SEAT FRAME**

(75) **Inventor:** **Timothy M. O'Hare**, Oak Ridge, NC
(US)

(73) **Assignee:** **Thomasville Furniture Industries, Inc.**, Thomasville, NC (US)

(**) **Term:** **14 Years**

(21) **Appl. No.:** **29/214,658**

(22) **Filed:** **Oct. 6, 2004**

(51) **LOC (8) Cl.** **06-01**

(52) **U.S. Cl.** **D6/368**

(58) **Field of Classification Search** D6/334,
D6/335, 367, 368, 371-373, 374, 376, 379,
D6/380, 495, 500-502; 297/36, 45, 53, 56,
297/445.1

See application file for complete search history.

(56) **References Cited**

U.S. PATENT DOCUMENTS

34,204 A *	1/1862	Goodwin	297/36
65,520 A *	6/1867	Whitmore	297/45
451,556 A *	5/1891	Hallett	297/56
1,703,879 A *	3/1929	Goldwyn	297/36
D78,731 S *	6/1929	Danzer	D6/502
1,739,552 A *	12/1929	Kidder	297/36
2,582,864 A *	1/1952	Gittings et al.	297/36
D180,974 S *	9/1957	Umanoff	D6/495
D212,879 S *	12/1968	Jakobsen	D6/373
3,498,668 A *	3/1970	Vanderminden	297/45
D219,651 S *	1/1971	Fisher	D6/379
4,437,700 A *	3/1984	Elaschuk	297/45
D358,040 S *	5/1995	Klein	D6/373

D366,776 S *	2/1996	Pasin	D6/372
D366,969 S *	2/1996	Sauvage	D6/368
D376,484 S *	12/1996	Gregory	D6/368
D386,321 S *	11/1997	Vanderminden	D6/368
D459,602 S *	7/2002	Kreiss	D6/368
D464,820 S *	10/2002	Kreiss	D6/368
D468,924 S *	1/2003	O'Hare	D6/379

OTHER PUBLICATIONS

Director's Chair, Tribute Collection brochure, Hibriten Division, Bernhardt Furniture, p. 11, 1976.

* cited by examiner

Primary Examiner—Mimosa De

(74) *Attorney, Agent, or Firm*—Womble Carlyle Sandridge & Rice PLLC

(57) **CLAIM**

The ornamental design for a seat frame, as shown and described.

DESCRIPTION

FIG. 1 is a perspective view of a seat frame showing my new design;

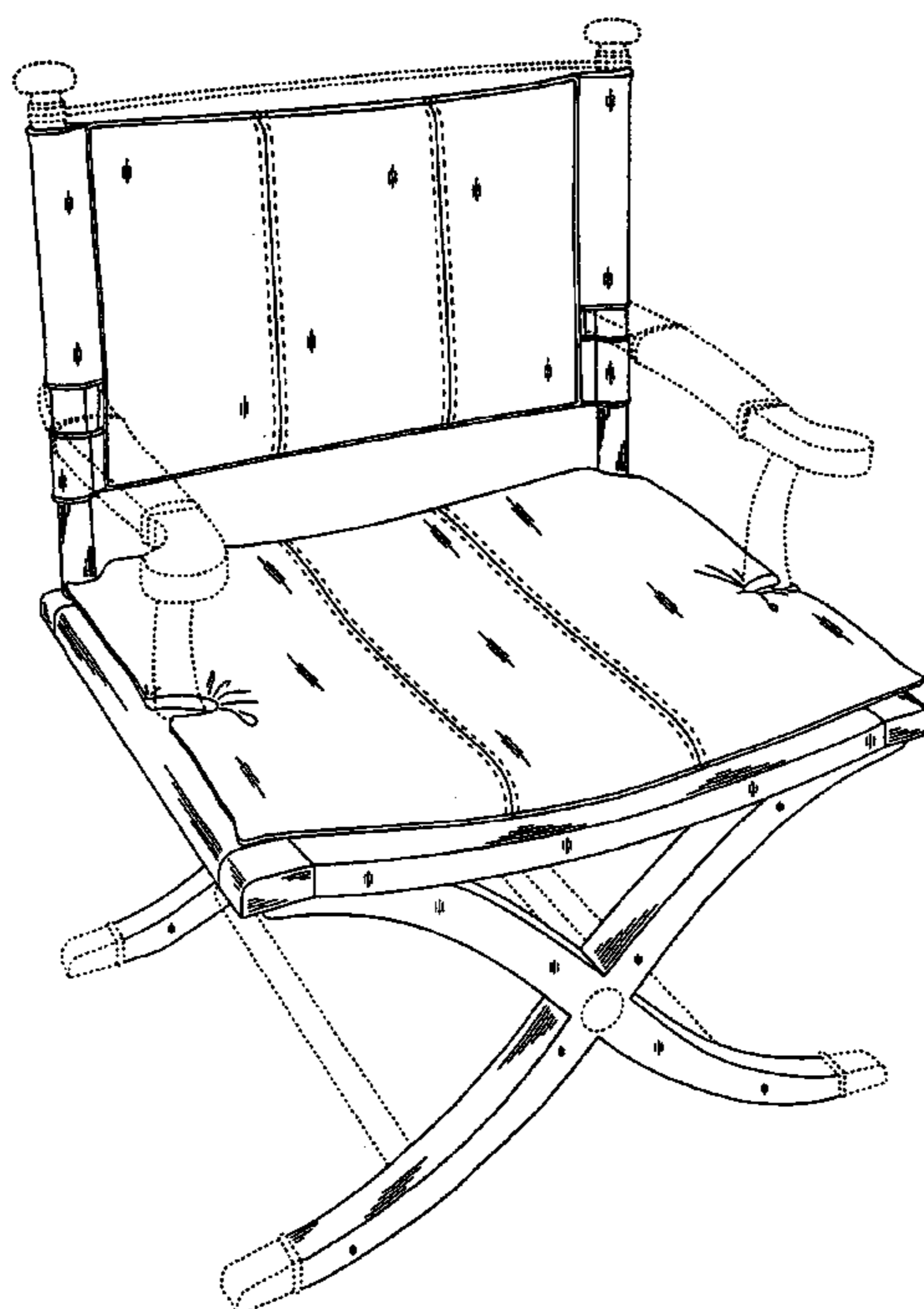
FIG. 2 is a front perspective view thereof;

FIG. 3 is a side elevational view, the opposite side being a mirror image thereof; and,

FIG. 4 is a rear elevational view thereof.

The views of the seat frame not shown form no part of the claimed design. The broken lines depicting arms, feet, finials, top spreader bar, supports and medallions represent environmental elements only and form no part of the claimed design.

1 Claim, 4 Drawing Sheets



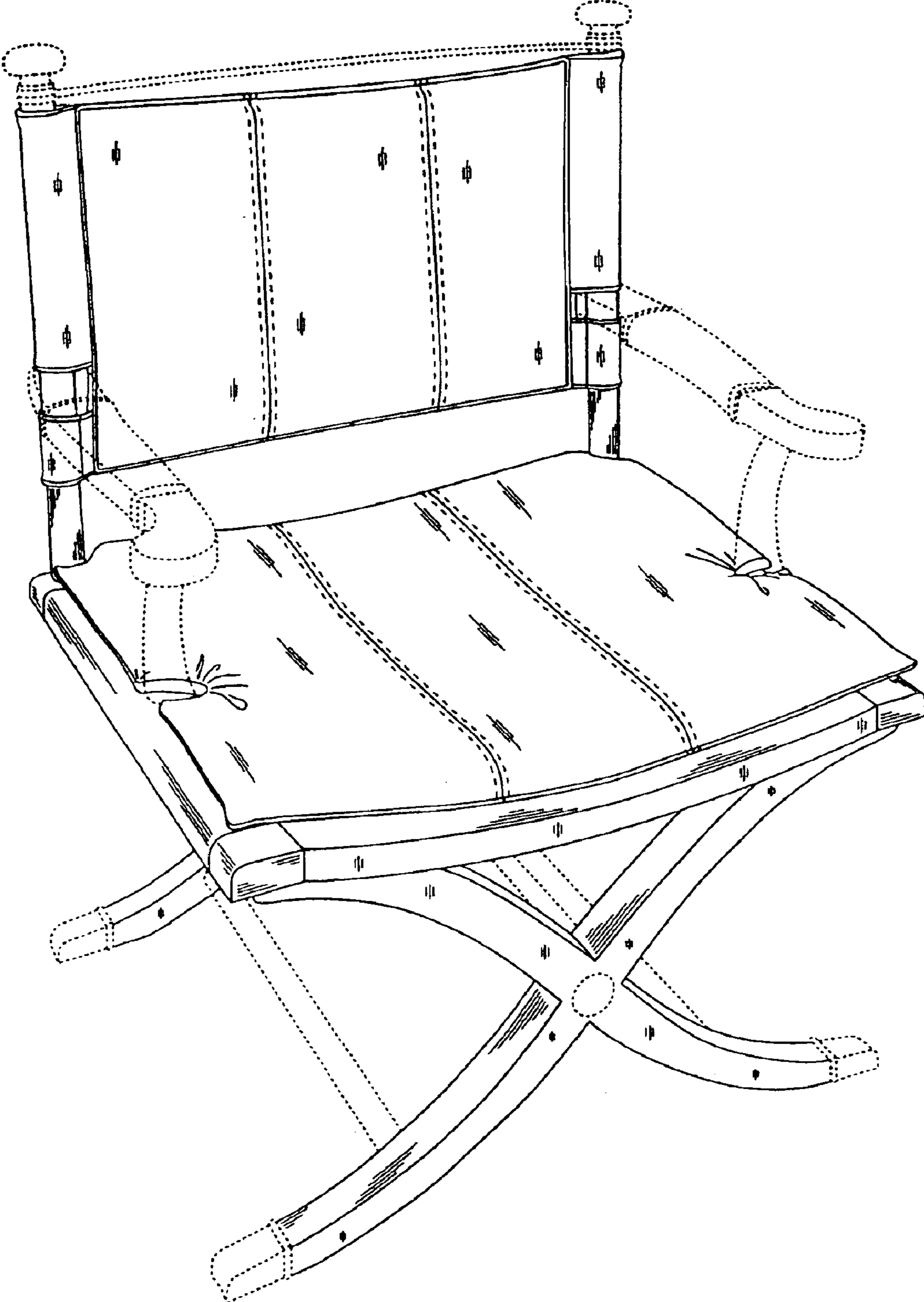


FIG. 1

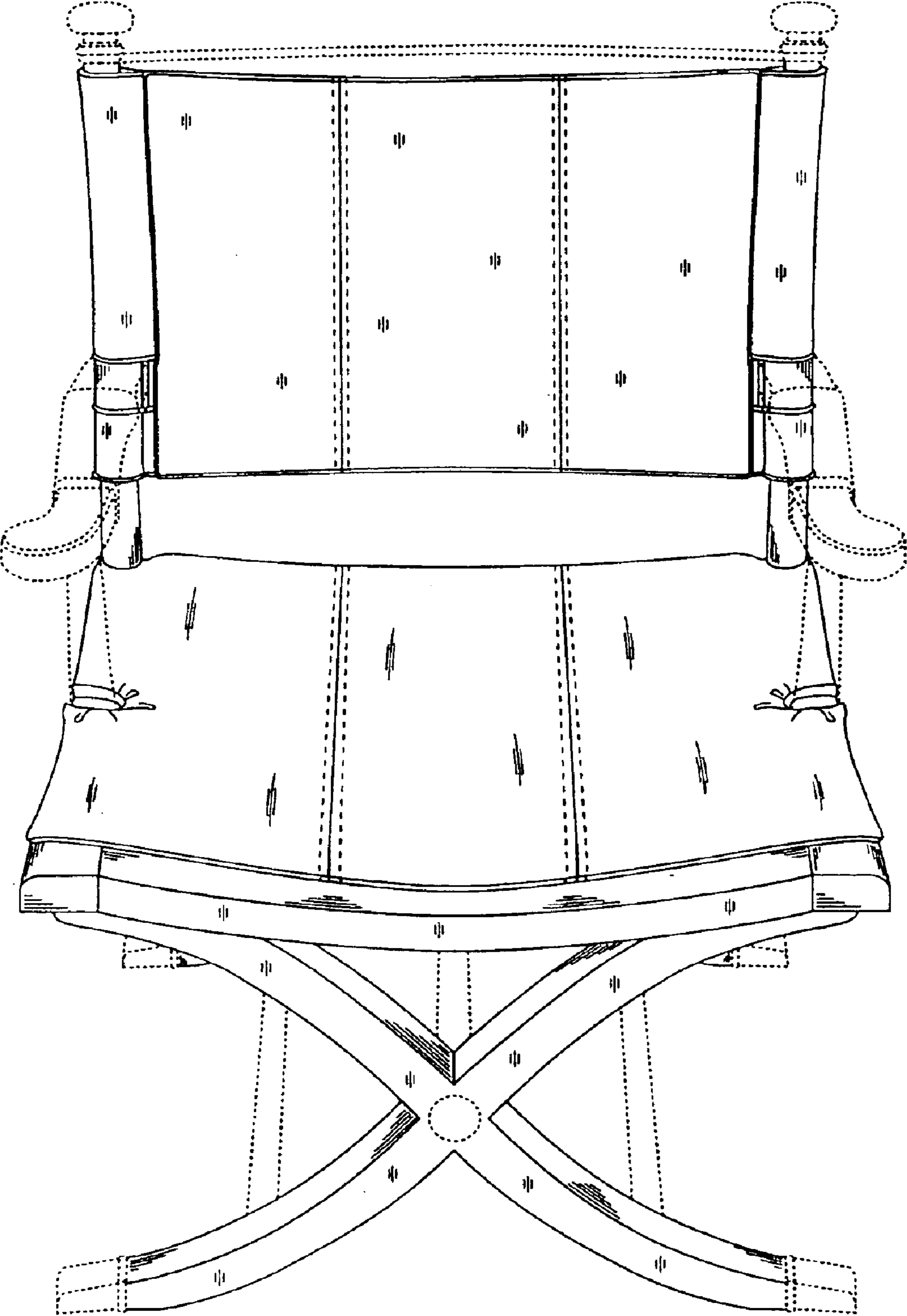


FIG. 2

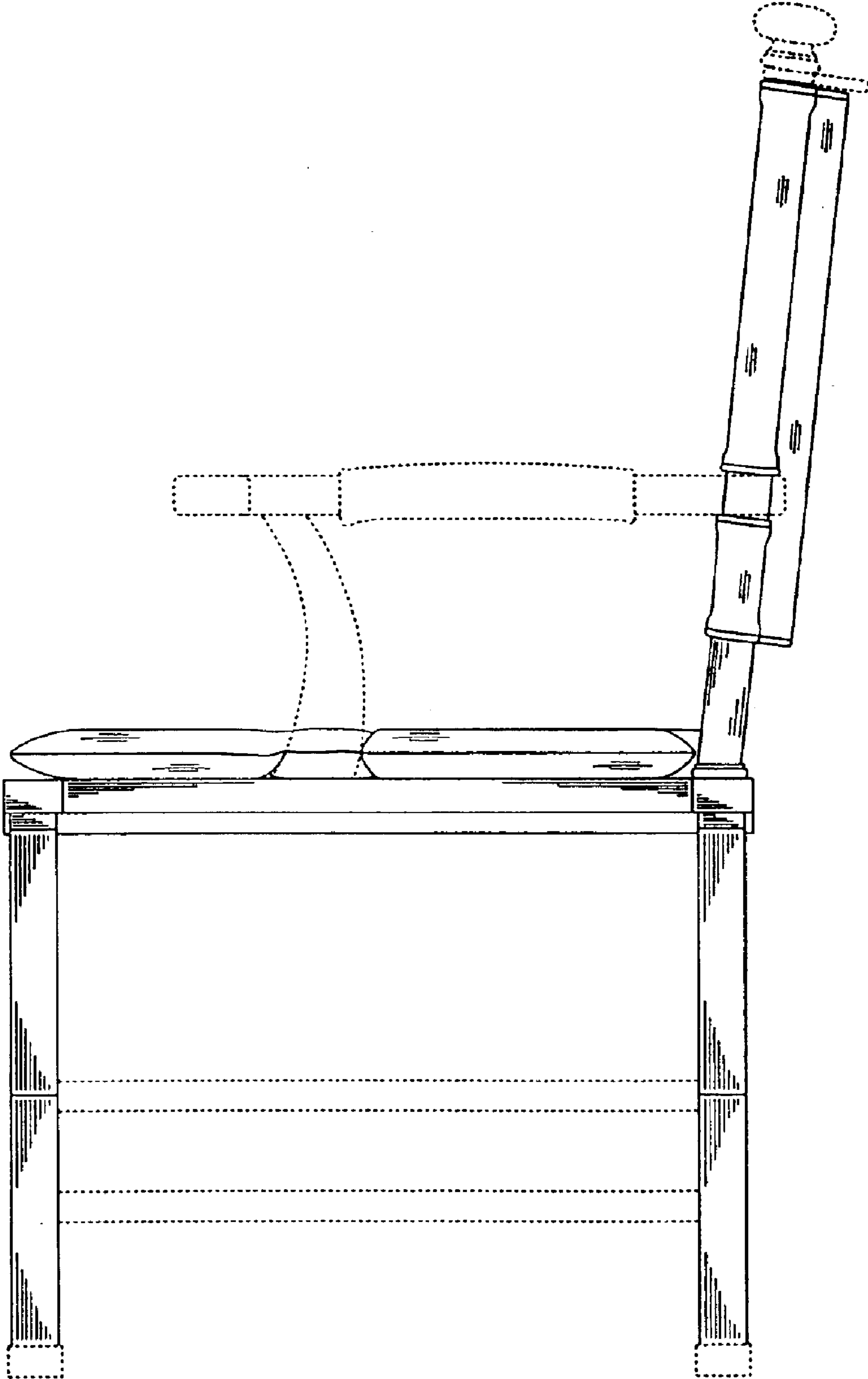


FIG. 3

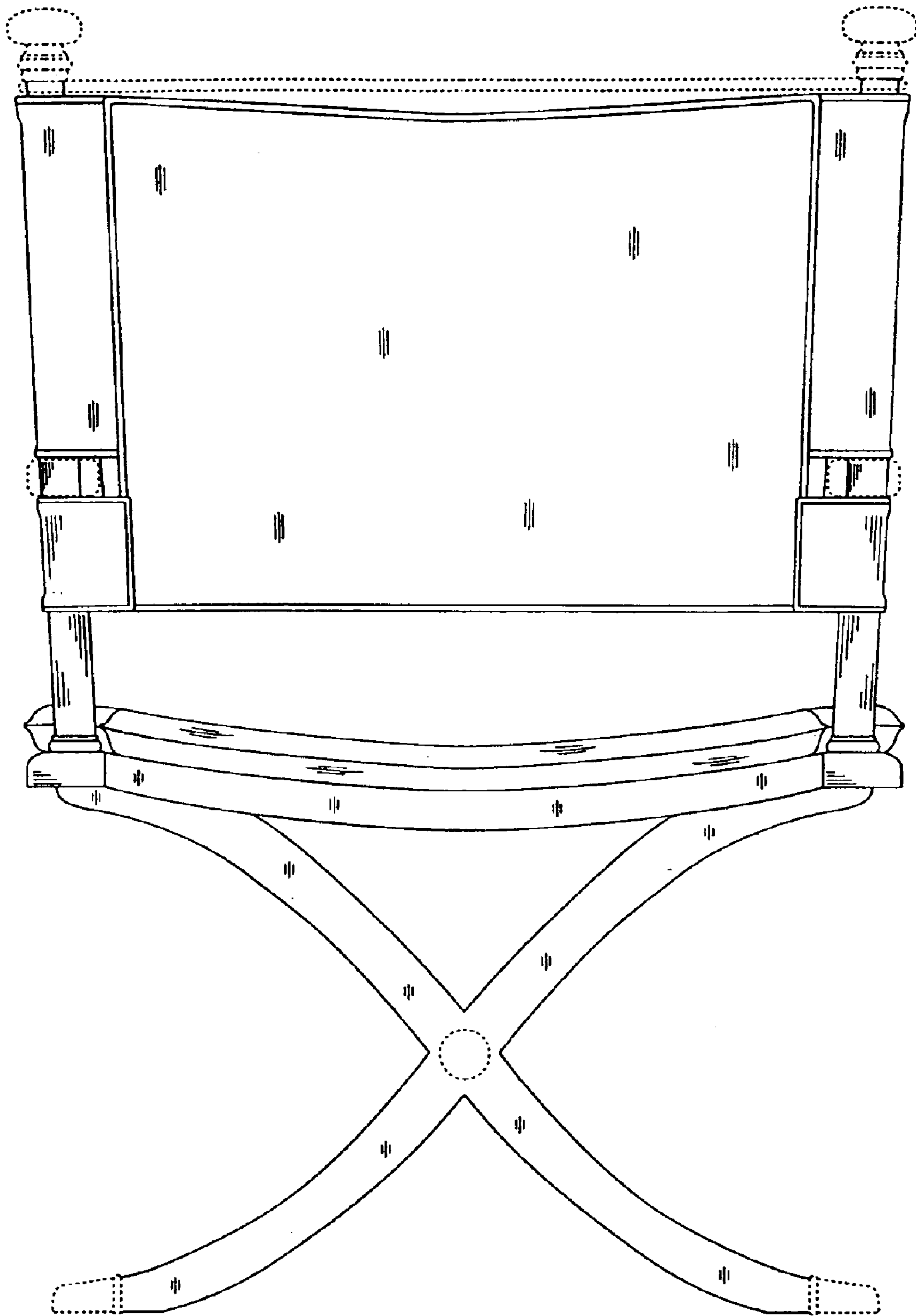


FIG. 4