



US00D514833S

(12) **United States Design Patent**  
**Kinoshita**

(10) **Patent No.:** **US D514,833 S**

(45) **Date of Patent:** **\*\* Feb. 14, 2006**

(54) **CHAIR**

(75) **Inventor:** **Yojiro Kinoshita, Osaka (JP)**

(73) **Assignee:** **Kokuyo Co., Ltd. (JP)**

(\*\*) **Term:** **14 Years**

(21) **Appl. No.:** **29/204,462**

(22) **Filed:** **Apr. 30, 2004**

(51) **LOC (8) Cl.** ..... **06-01**

(52) **U.S. Cl.** ..... **D6/366**

(58) **Field of Classification Search** ..... D6/334,  
D6/335, 364, 365, 366-368, 380, 500-502;  
297/411.2, 411.27, 411.28, 411.35, 411.44,  
297/452.29

See application file for complete search history.

(56) **References Cited**

**U.S. PATENT DOCUMENTS**

D411,928 S	*	7/1999	Ritch et al. ....	D6/500
D449,172 S	*	10/2001	Van De Riet et al. ....	D6/366
D451,693 S	*	12/2001	Pearce et al. ....	D6/368
D456,160 S	*	4/2002	Van De Riet et al. ....	D6/366
D456,627 S	*	5/2002	Pearce et al. ....	D6/366

D457,007 S	*	5/2002	Pearce et al. ....	D6/368
D457,739 S	*	5/2002	Pearce et al. ....	D6/366
D460,870 S	*	7/2002	Van De Riet et al. ....	D6/366
D461,322 S	*	8/2002	Holbrook et al. ....	D6/366
D462,846 S	*	9/2002	Gasca Burges ....	D6/366
D463,154 S	*	9/2002	Vaaler ....	D6/380
D463,920 S	*	10/2002	Pearce et al. ....	D6/366
D500,211 S	*	12/2004	Koch et al. ....	D6/366

\* cited by examiner

*Primary Examiner*—Mimosa De

(74) *Attorney, Agent, or Firm*—Banner & Witcoff, Ltd.

(57) **CLAIM**

The ornamental design for a chair, as shown and described.

**DESCRIPTION**

FIG. 1 is a front elevational view of a chair showing our new design;

FIG. 2 is a rear elevational view;

FIG. 3 is a top plan view thereof;

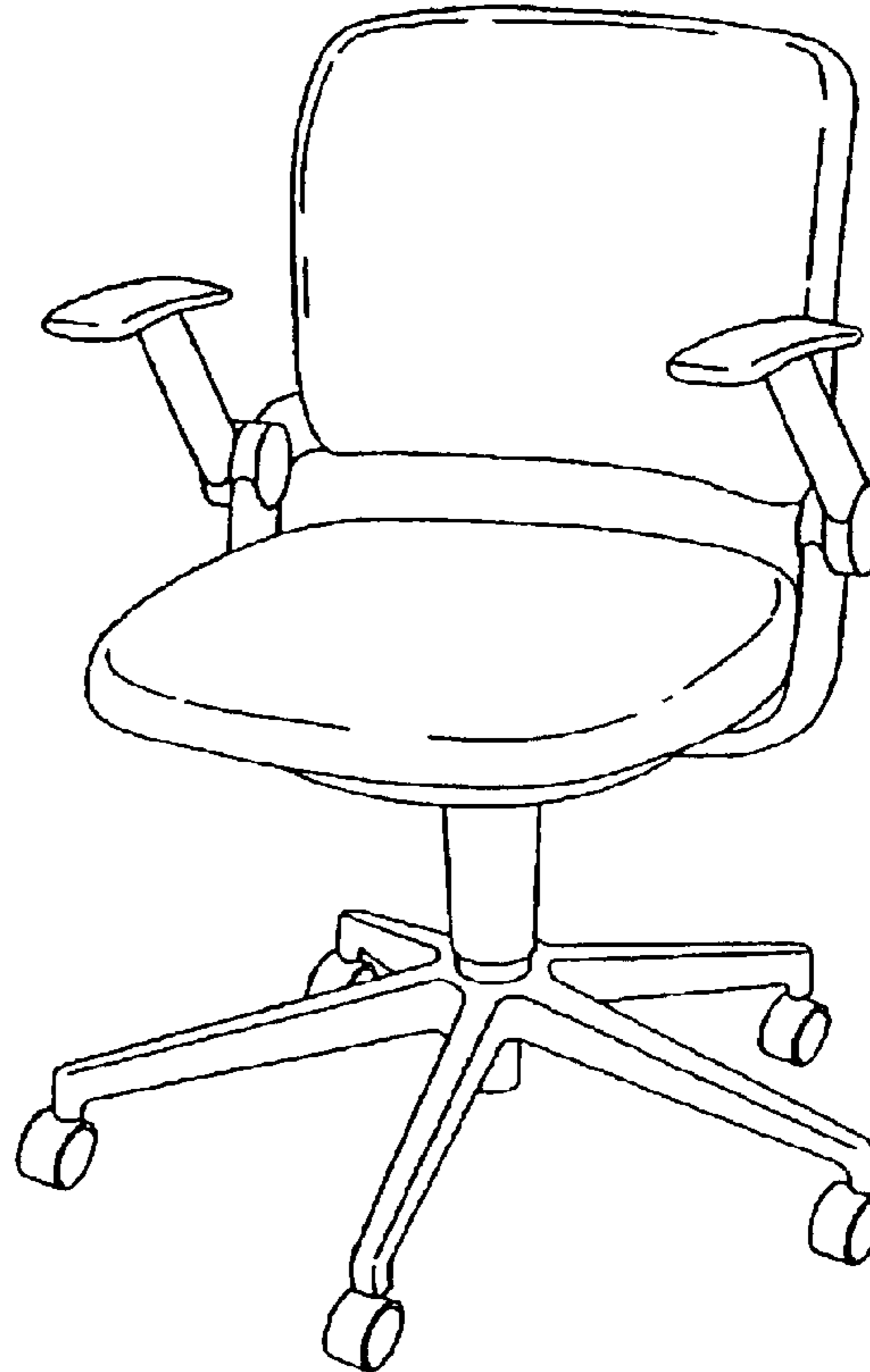
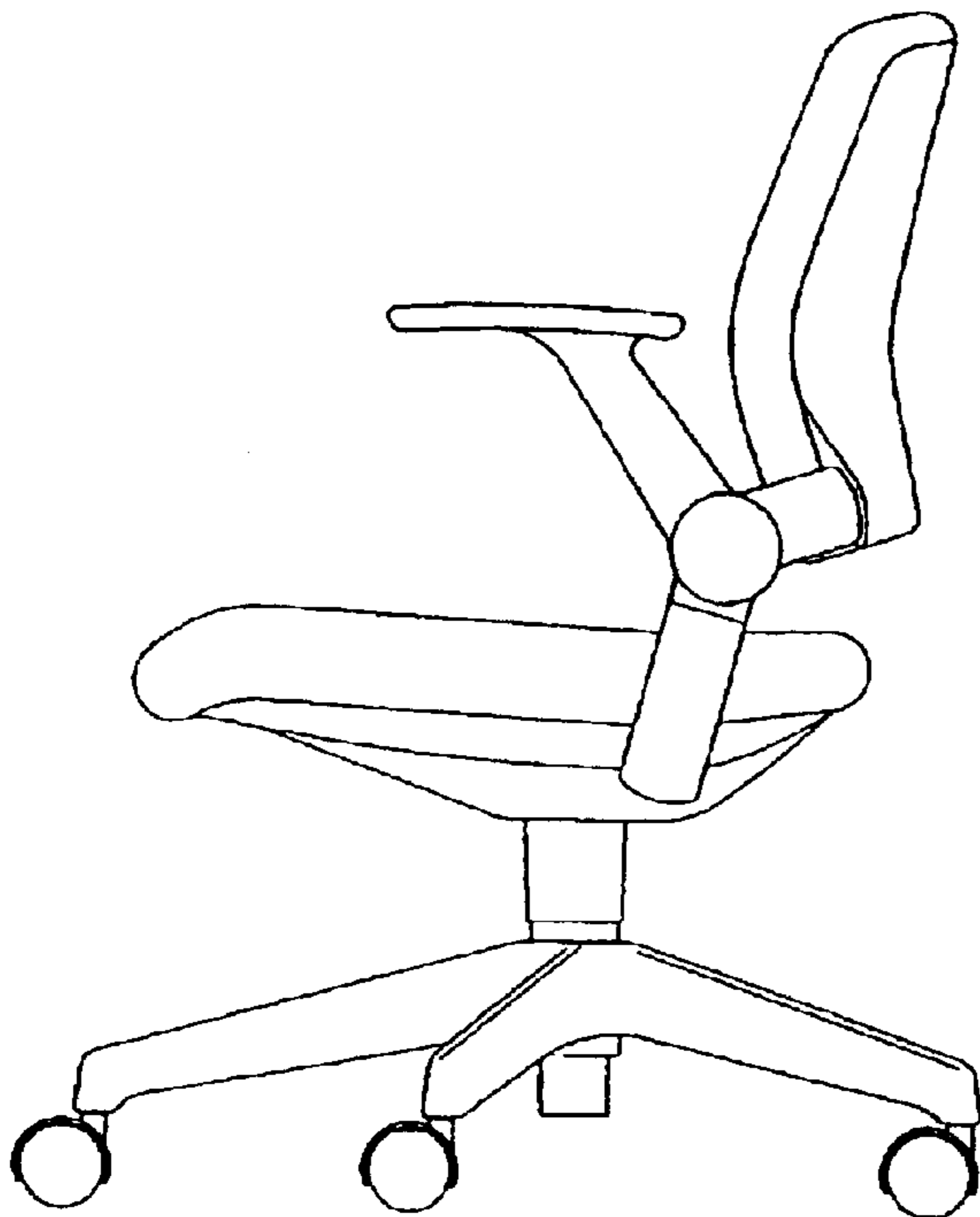
FIG. 4 is a bottom plan view thereof;

FIG. 5 is a right side elevational view thereof;

FIG. 6 is a left side elevational view thereof; and,

FIG. 7 is a perspective view thereof.

**1 Claim, 7 Drawing Sheets**



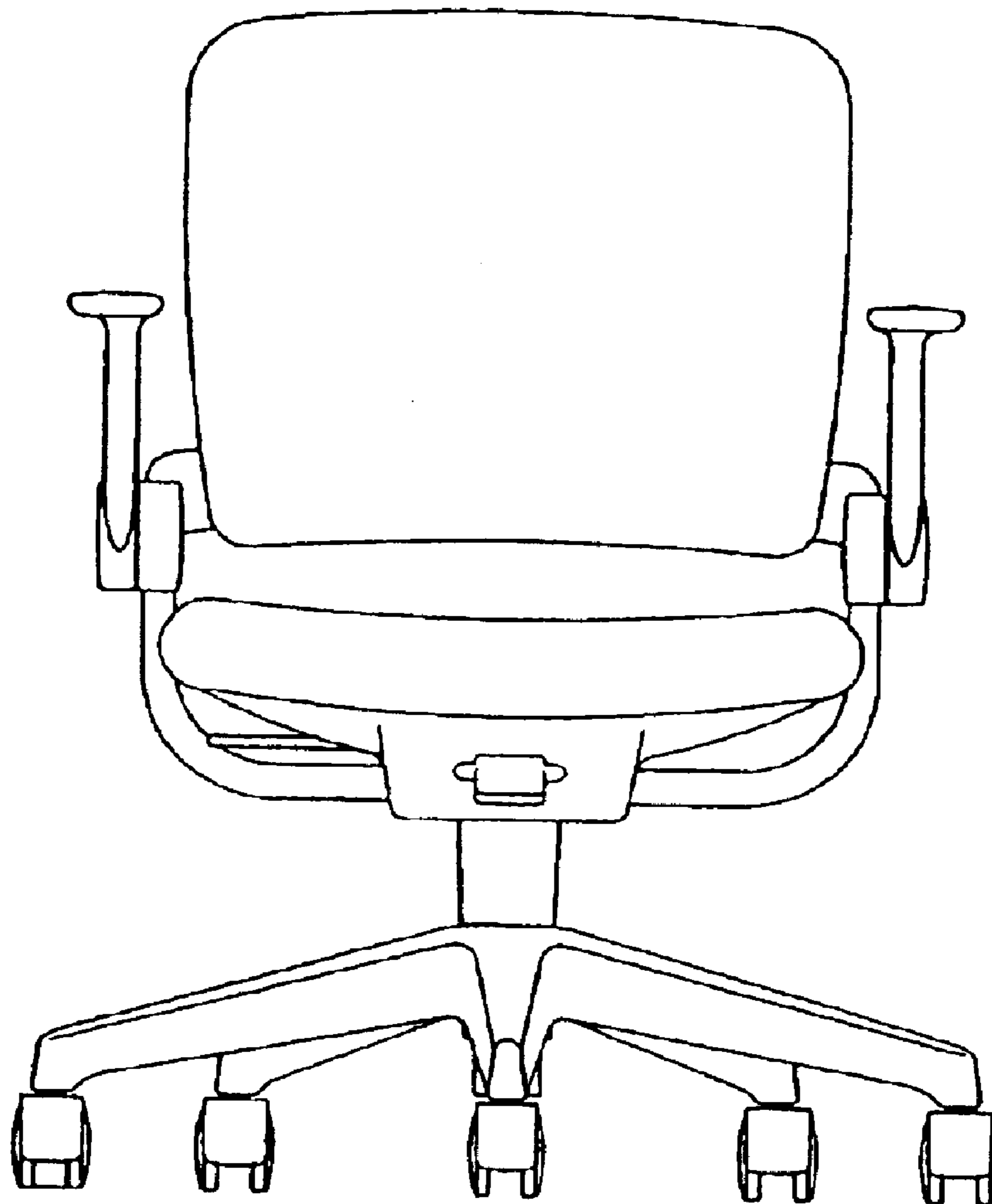


FIG. 1

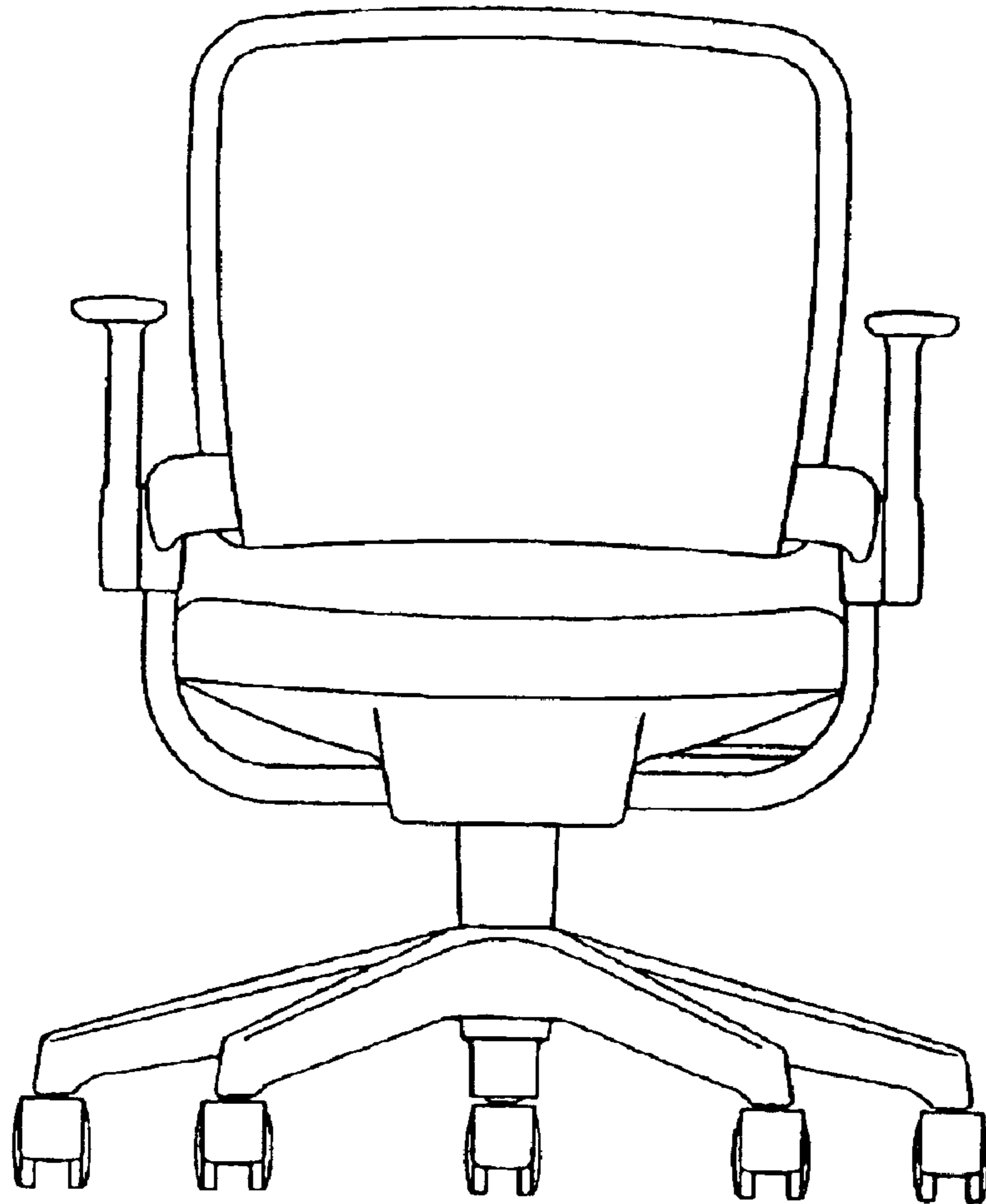


FIG. 2

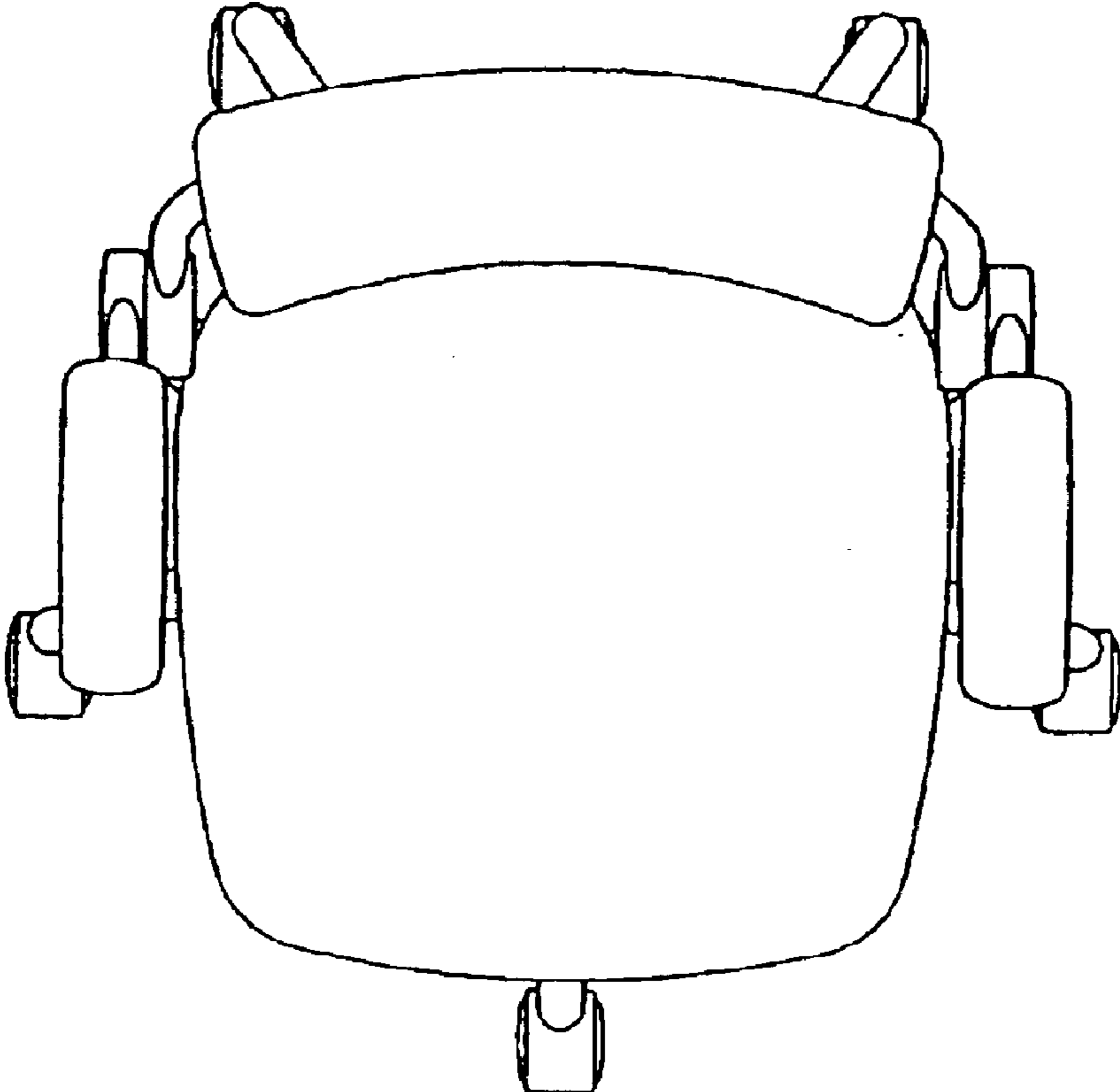


FIG. 3

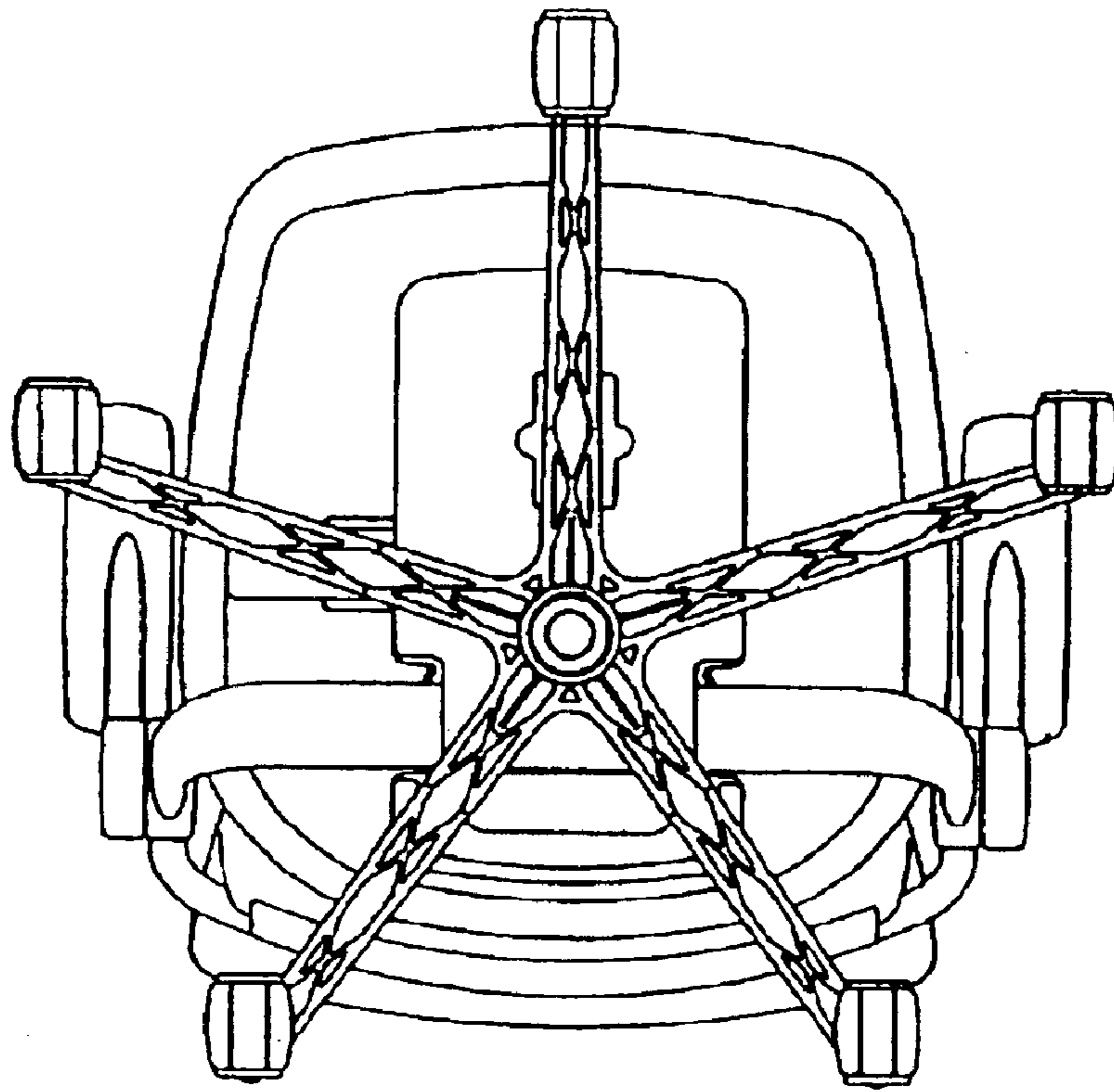


FIG. 4

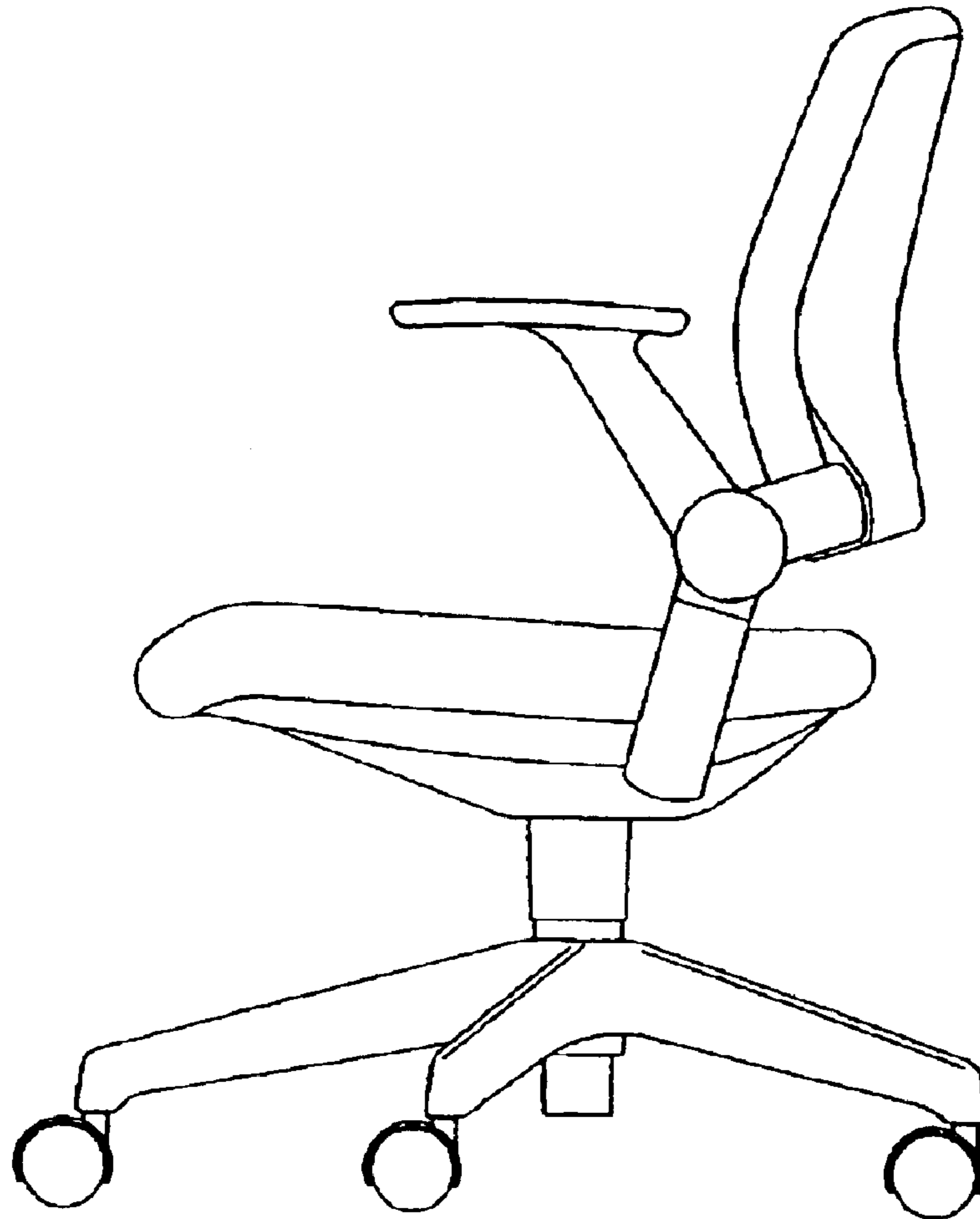


FIG. 5

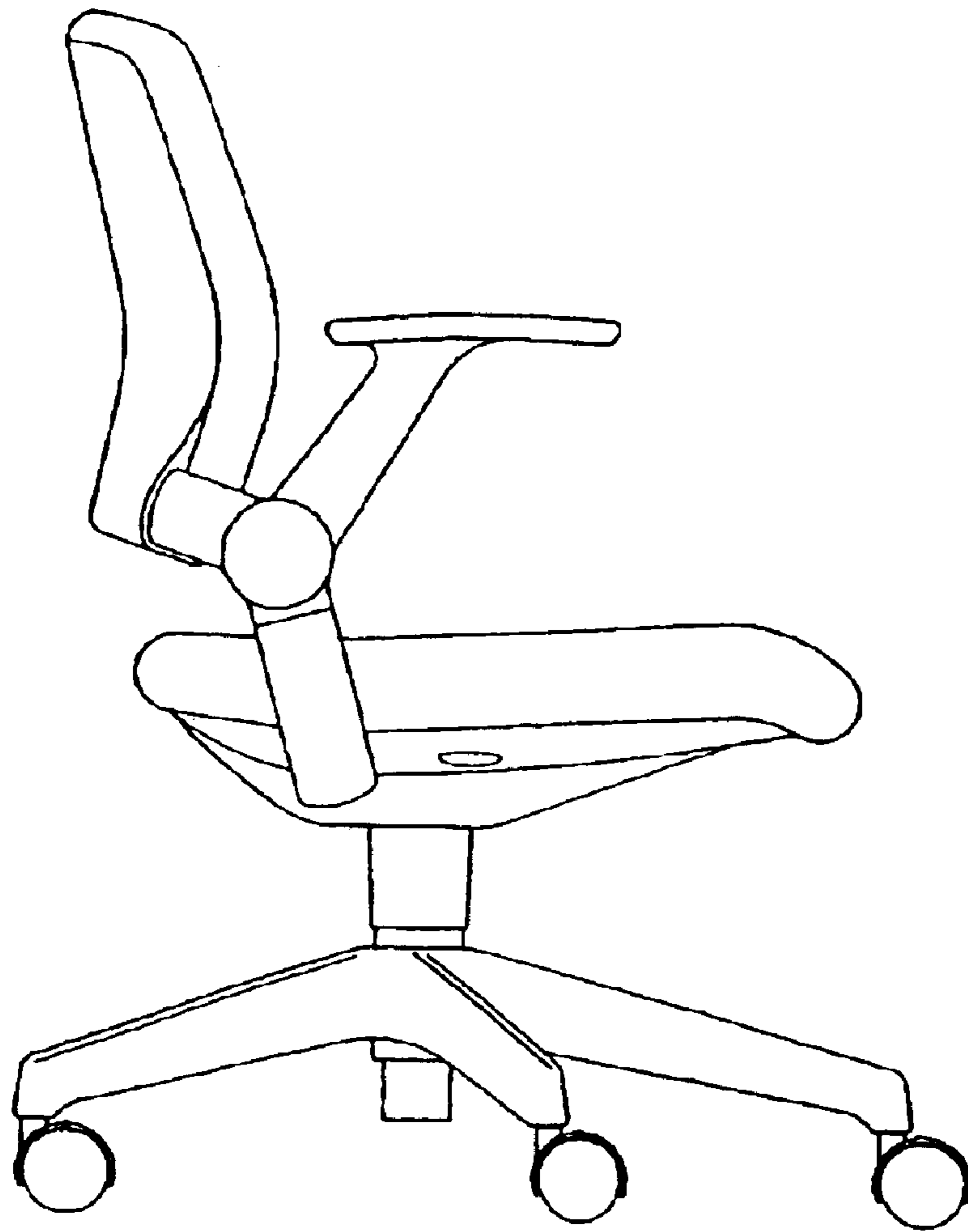


FIG. 6

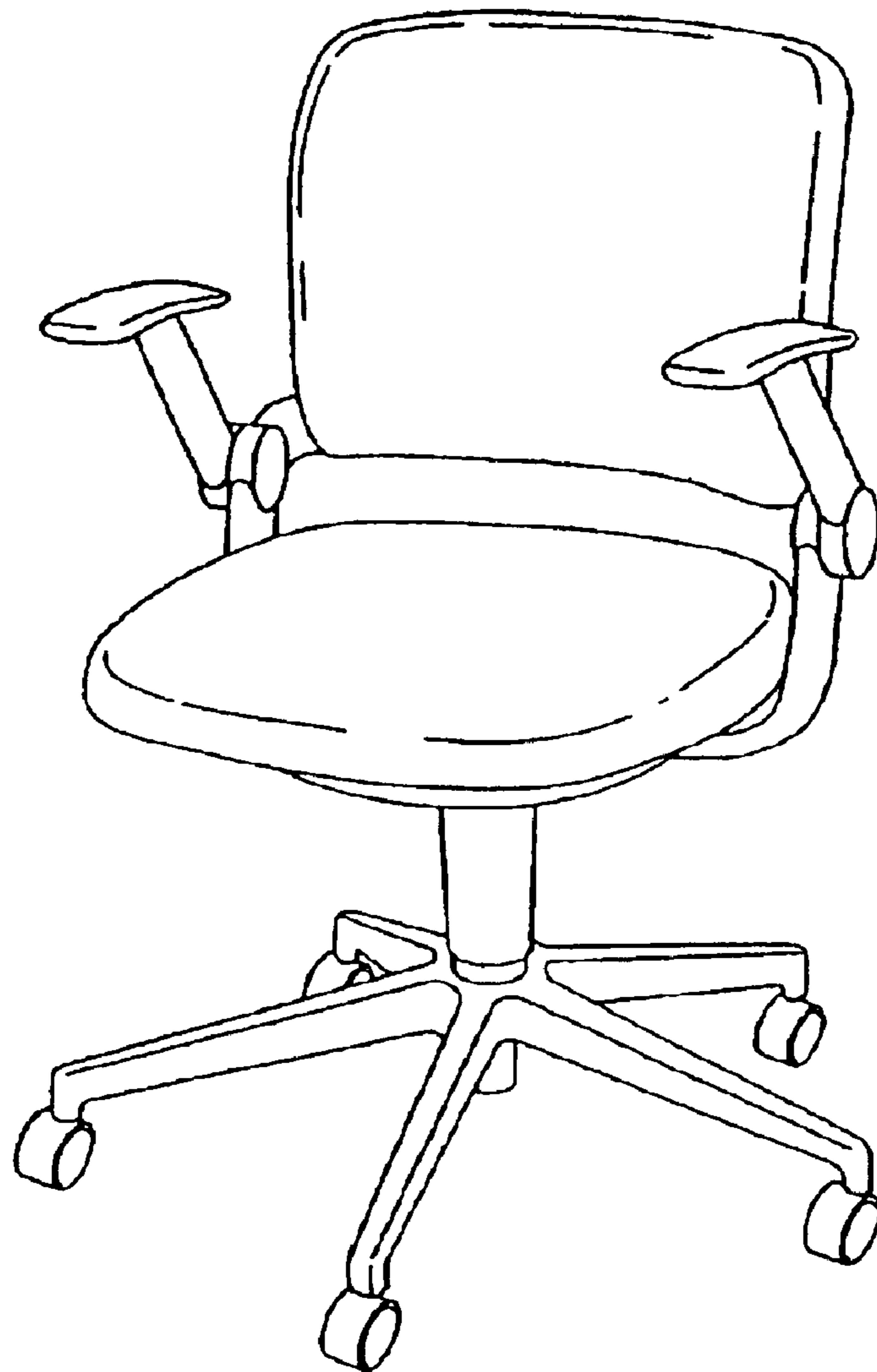


FIG. 7