



US00D514830S

(12) **United States Design Patent** (10) **Patent No.:** **US D514,830 S**  
**Bue** (45) **Date of Patent:** **\*\* Feb. 14, 2006**

(54) **FOLDING TABLE**

(75) Inventor: **Richard C. Bue**, Chaska, MN (US)

(73) Assignee: **Sico Incorporated**, Edina, MN (US)

(\*\*) Term: **14 Years**

(21) Appl. No.: **29/215,822**

(22) Filed: **Jan. 27, 2004**

(51) **LOC (8) Cl.** ..... **06-01**

(52) **U.S. Cl.** ..... **D6/337**

(58) **Field of Classification Search** ..... D6/333-337,  
D6/482, 511, 500-502; D21/318, 357; 297/157.1,  
297/170, 158.2, 174, 158.3, 158.4, 159.1;  
108/35, 160, 161, 168, 172, 173  
See application file for complete search history.

2,934,386 A 4/1960 Shore  
2,969,245 A 1/1961 Wilson  
3,028,197 A 4/1962 Wilson  
3,055,705 A 9/1962 Wilson  
D194,038 S 11/1962 Preston  
3,075,809 A 1/1963 Wilson  
3,099,480 A 7/1963 Wilson  
3,099,481 A 7/1963 Bue  
3,101,064 A 8/1963 Kanzelberger et al.  
3,109,678 A 11/1963 Wilson  
3,212,463 A 10/1965 Anderson et al.  
3,245,363 A 4/1966 Amthor, Jr. et al.  
3,266,840 A 8/1966 D'Estrube  
3,337,262 A 8/1967 Katzfey et al.

(Continued)

*Primary Examiner*—Janice E. Seeger  
*Assistant Examiner*—Sydney R. Buffalow  
(74) *Attorney, Agent, or Firm*—Merchant & Gould PC

(56) **References Cited**

**U.S. PATENT DOCUMENTS**

1,015,230 A 1/1912 Jacob  
1,339,232 A 5/1920 St. John et al.  
1,370,952 A 3/1921 Danielson  
1,622,327 A 3/1927 Livingood  
1,823,484 A 9/1931 Blumenthal  
1,860,291 A 5/1932 Majcher  
2,030,195 A 2/1936 Breese  
2,702,585 A 2/1955 Wilson  
2,717,631 A 9/1955 Howe  
2,721,778 A 10/1955 Wilson  
2,730,417 A 1/1956 Mitchell  
2,739,860 A 3/1956 Wilson  
2,771,937 A 11/1956 Wilson  
2,805,707 A 9/1957 Schoeppner  
RE24,454 E 4/1958 Wilson

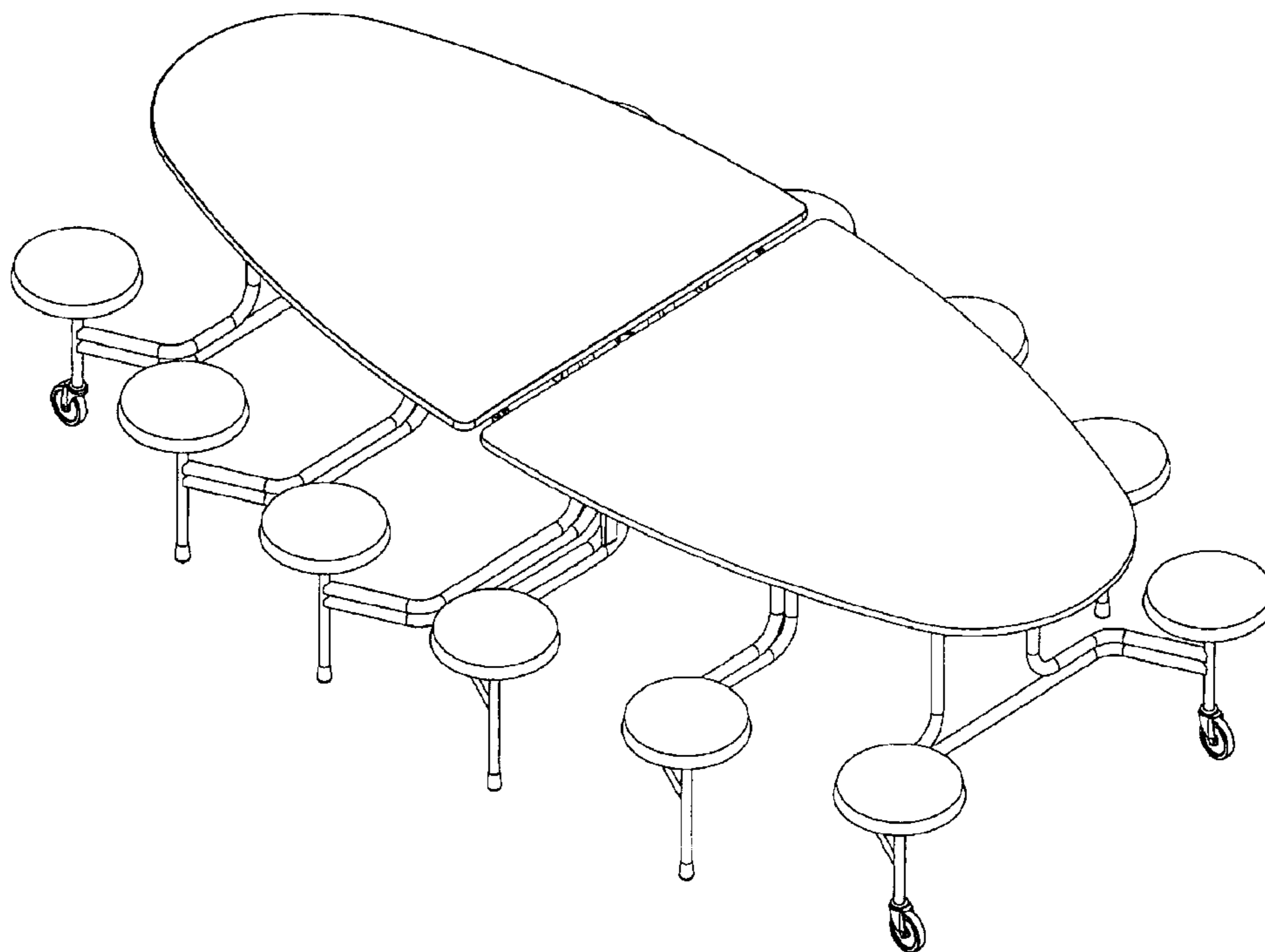
(57) **CLAIM**

The ornamental design for folding table, as shown and described.

**DESCRIPTION**

FIG. 1 shows a perspective view of a folding table according to the principles of the present invention;  
FIG. 2 shows a front elevational view thereof;  
FIG. 3 shows a rear elevational view thereof;  
FIG. 4 shows a right side elevational view thereof;  
FIG. 5 shows a left side elevational view thereof;  
FIG. 6 shows a top plan view thereof; and,  
FIG. 7 shows a bottom plan view thereof.

**1 Claim, 5 Drawing Sheets**



# US D514,830 S

Page 2

---

## U.S. PATENT DOCUMENTS

D211,886 S	8/1968	Benjamin	4,653,804 A	3/1987	Yoo et al.
3,411,823 A	11/1968	Bue	4,700,987 A	10/1987	Sraka et al.
3,477,760 A	11/1969	Bue	4,826,244 A	5/1989	Choi
3,511,532 A	5/1970	Tringali et al.	4,883,314 A	11/1989	Sakong
3,536,356 A	10/1970	Wilson	4,932,333 A	6/1990	Jensen et al.
3,580,632 A	5/1971	Seymour	5,029,938 A	7/1991	Song
3,715,143 A	2/1973	Gerken et al.	D327,178 S	6/1992	Ryaa
4,052,100 A	10/1977	Nikitits et al.	D330,127 S	10/1992	Song
4,070,057 A	1/1978	Jones	D369,913 S	5/1996	Noll
D250,151 S	11/1978	Pingel	5,683,135 A	11/1997	Williams
4,131,311 A	12/1978	Nikitits	5,794,540 A	8/1998	Dumbrowski et al.
4,133,271 A	1/1979	Carlson	6,065,802 A	5/2000	Bue
4,223,945 A	9/1980	Nikitits	6,254,178 B1	7/2001	Bue
4,249,773 A	2/1981	Giambalvo	D456,155 S *	4/2002	DeVriendt ..... D6/337
4,596,196 A	6/1986	Gunter et al.	6,386,628 B2	5/2002	Bue

\* cited by examiner

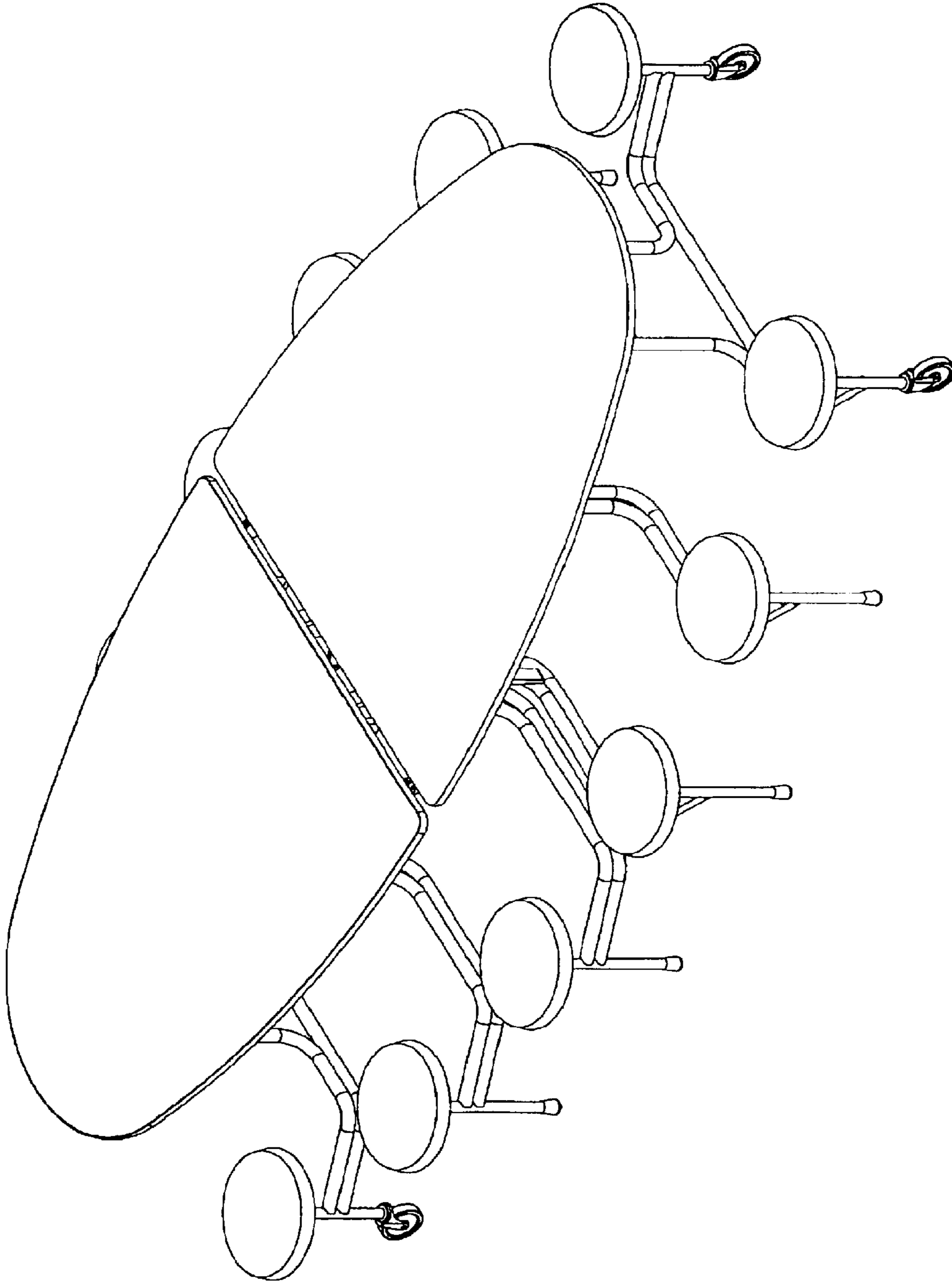


FIG. 1

FIG. 2

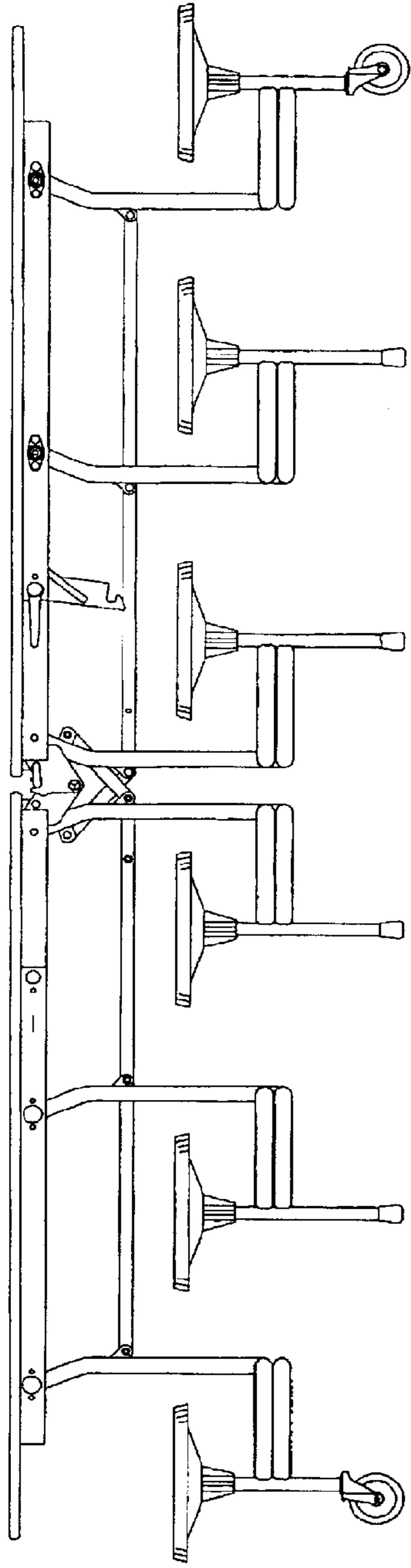


FIG. 3

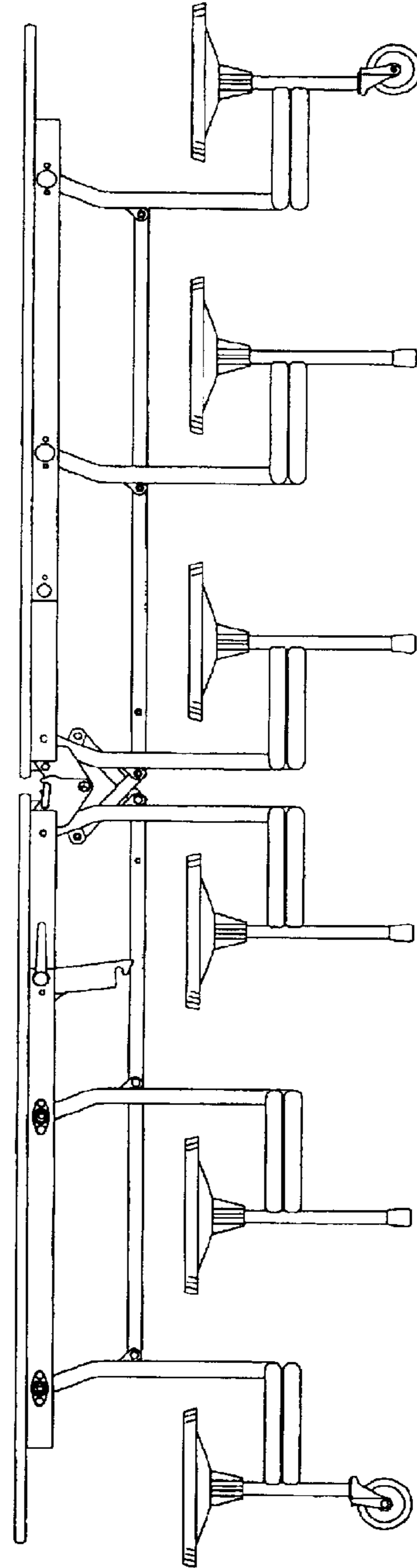


FIG. 4

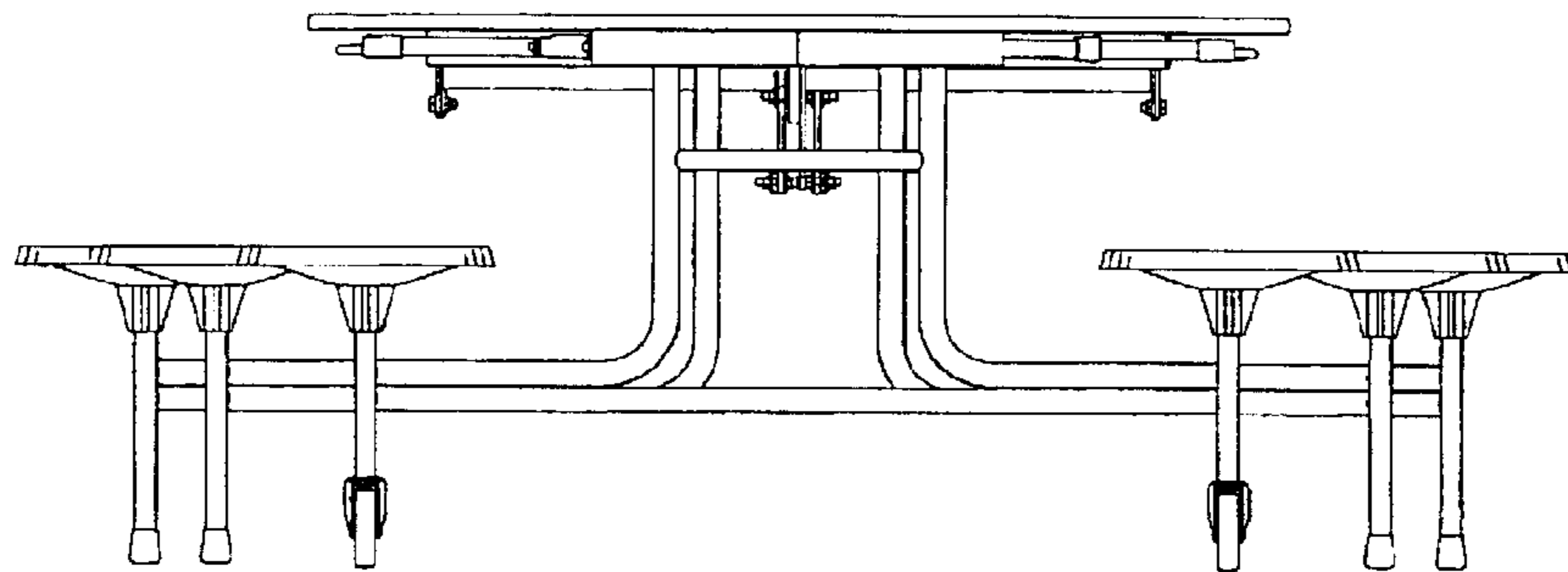
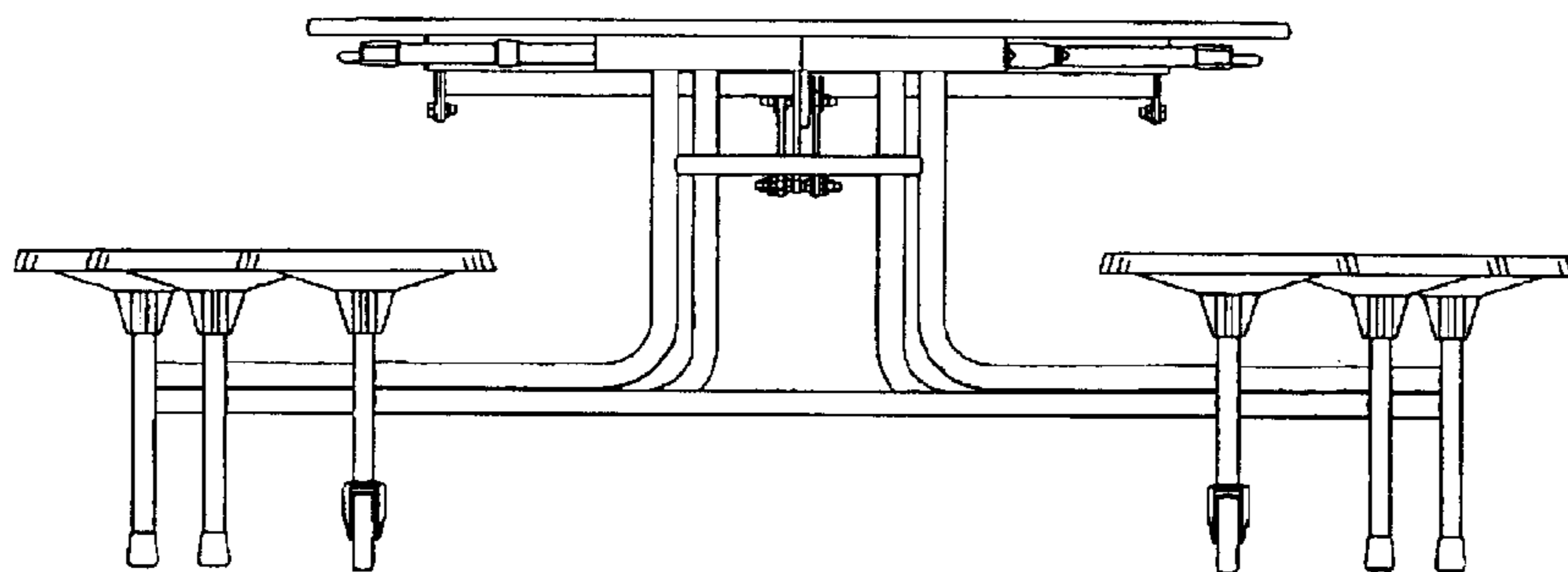


FIG. 5



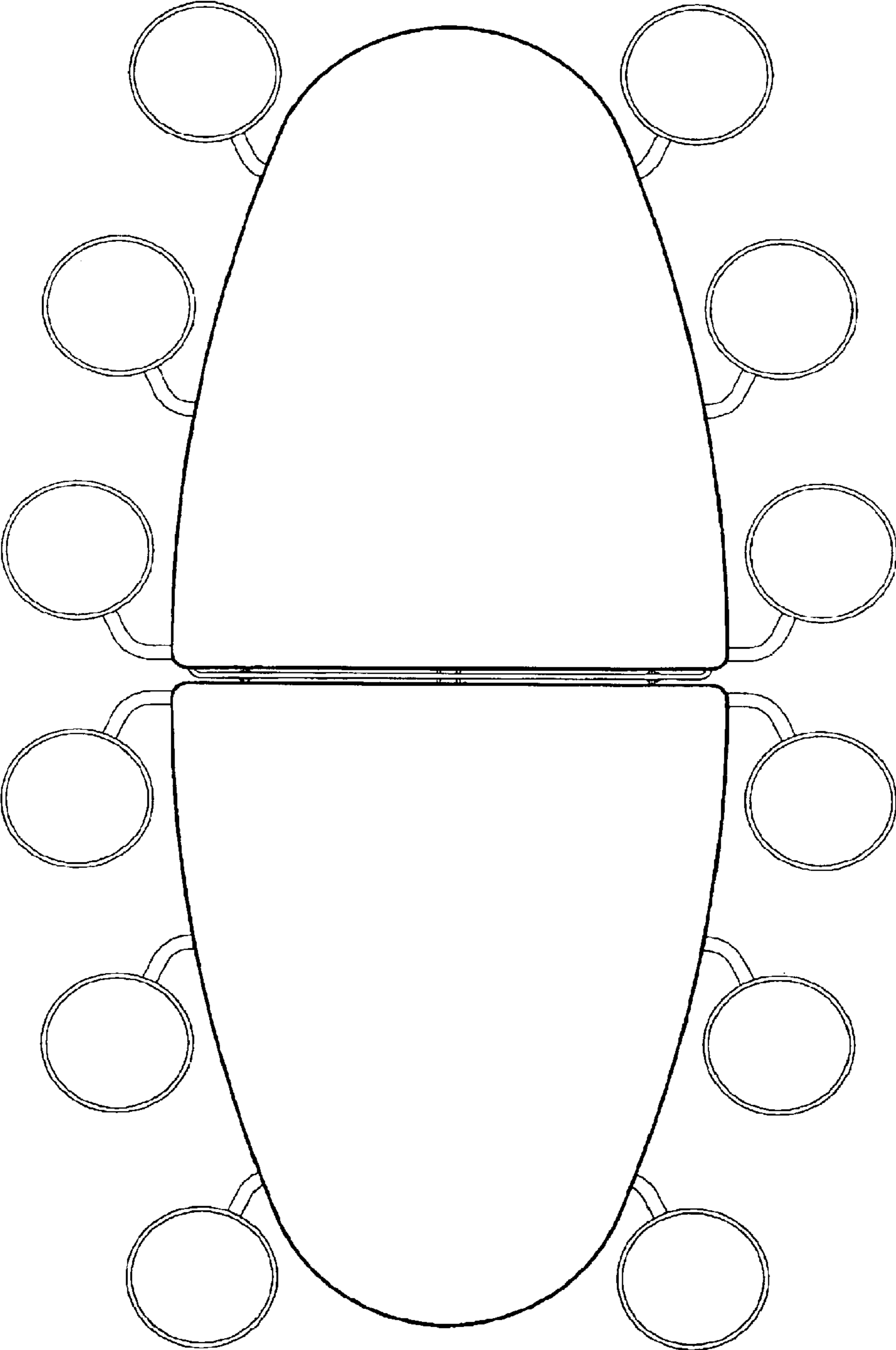


FIG. 6

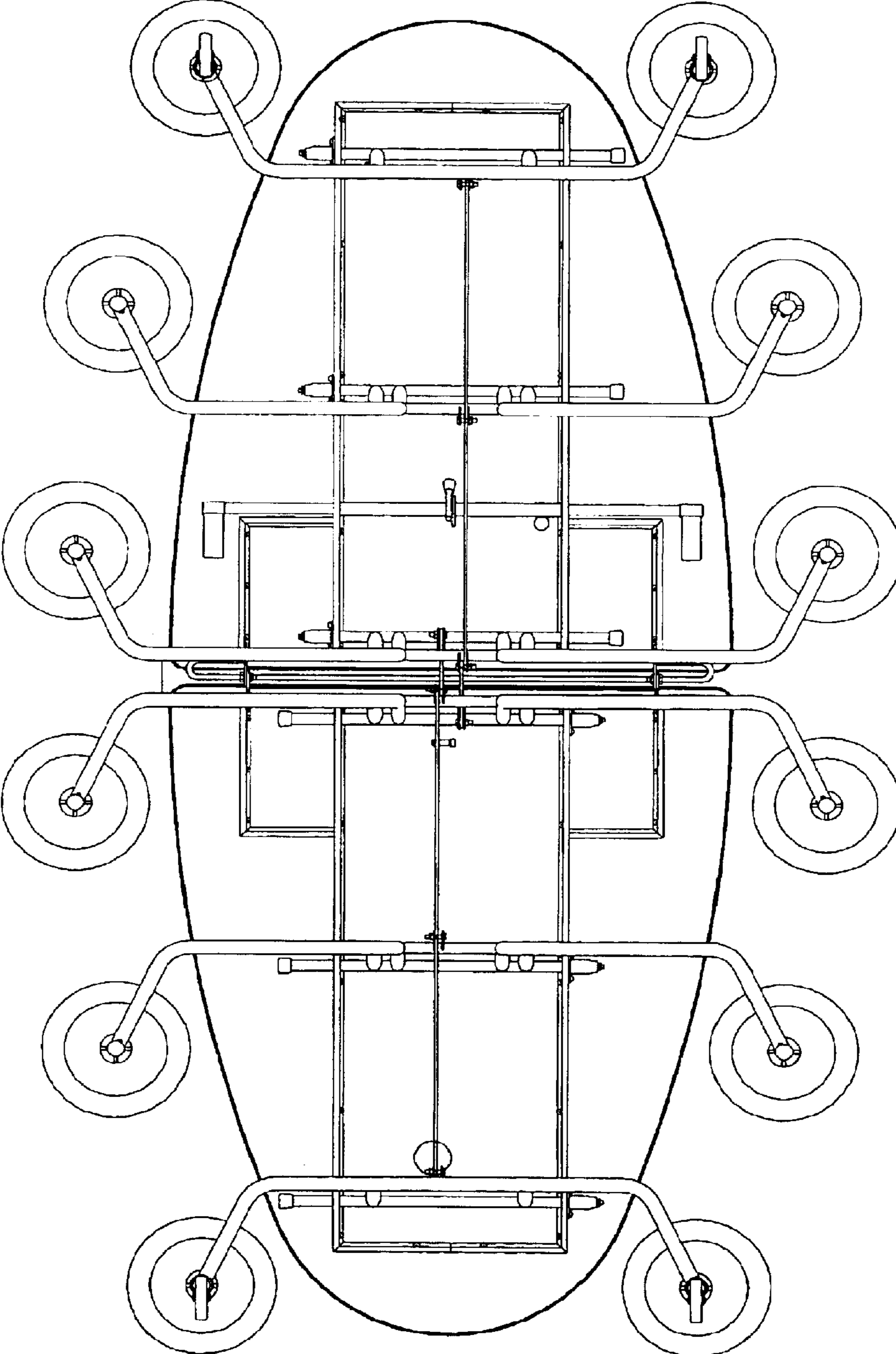


FIG. 7