



US00D514818S

(12) **United States Design Patent**
Larsen

(10) **Patent No.:** **US D514,818 S**
(45) **Date of Patent:** **** Feb. 14, 2006**

(54) **MEMORIAL CARD DISPLAY HOLDER**

2,070,652 A * 2/1937 Elmer 40/651
D386,880 S * 11/1997 Vaske D99/18

(76) Inventor: **Robert F. Larsen**, 35290 Pennington Dr., Farmington Hills, MI (US) 48335

* cited by examiner

(**) Term: **14 Years**

Primary Examiner—Janice E. Seeger
Assistant Examiner—Sydney Buffalow

(21) Appl. No.: **29/181,603**

(74) *Attorney, Agent, or Firm*—John R. Benefiel

(22) Filed: **May 13, 2003**

(57) **CLAIM**

(51) **LOC (8) Cl.** **06-07**

The ornamental design for a memorial card display holder, as shown and described.

(52) **U.S. Cl.** **D6/300**

(58) **Field of Classification Search** D6/300–314,
D6/417; 40/200, 455, 700, 711, 714, 717,
40/720, 721, 725, 727, 738, 745, 761, 765,
40/766, 778, 780, 781, 786, 798, 607, 124.5;
D99/18; 248/156; D20/41

DESCRIPTION

See application file for complete search history.

FIG. 1 is a front view of a memorial card display holder according to the invention.

FIG. 2 is a rear view of a memorial card display holder shown in FIG. 1.

FIG. 3 is a side elevational view of the memorial card display holder shown in FIGS. 1 and 2, both sides being identical.

FIG. 4 is a bottom view of the memorial card display shown in FIGS. 1–3; and,

FIG. 5 is a top view of the memorial card display shown in FIGS. 1–4.

(56) **References Cited**

U.S. PATENT DOCUMENTS

- 48,187 A * 6/1865 Logn 149/3
- 88,953 A * 4/1869 Fumarol 52/236.6
- 1,400,970 A * 12/1921 Norman 40/124.5
- 1,526,381 A * 2/1925 Slawson 40/124.5
- 1,852,315 A * 4/1932 Lamb 40/611.05

1 Claim, 4 Drawing Sheets

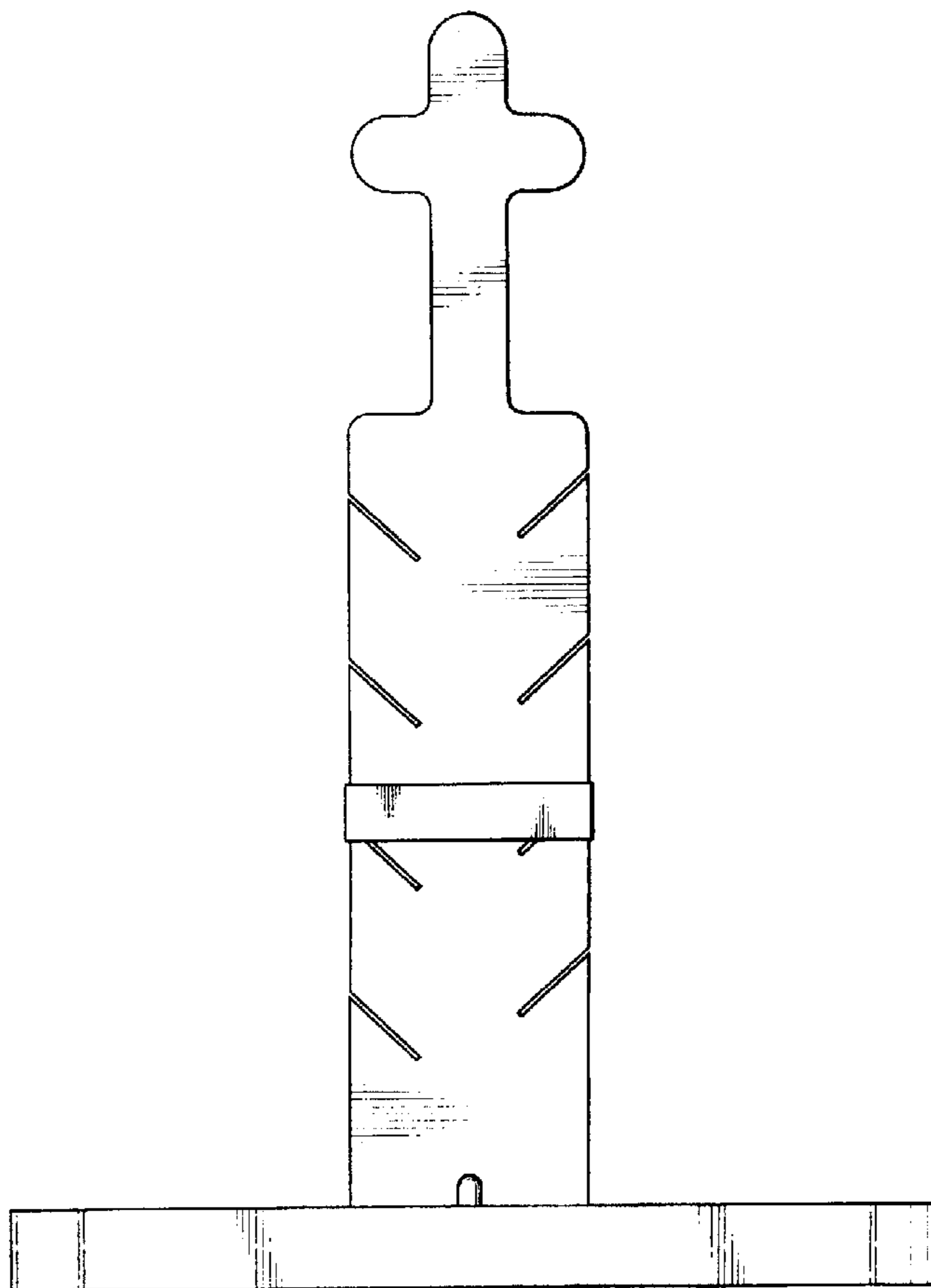


FIG - 1

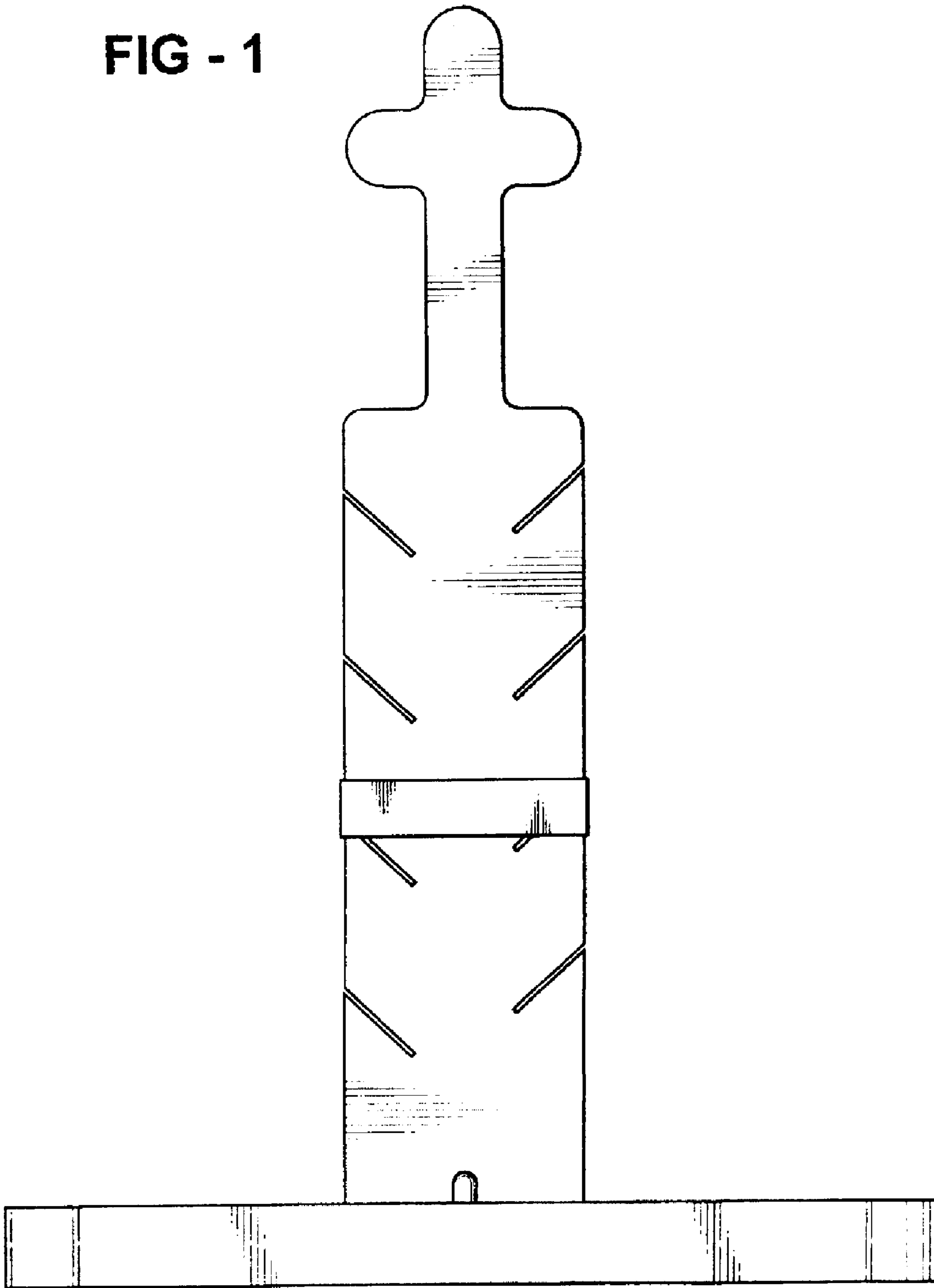


FIG - 2

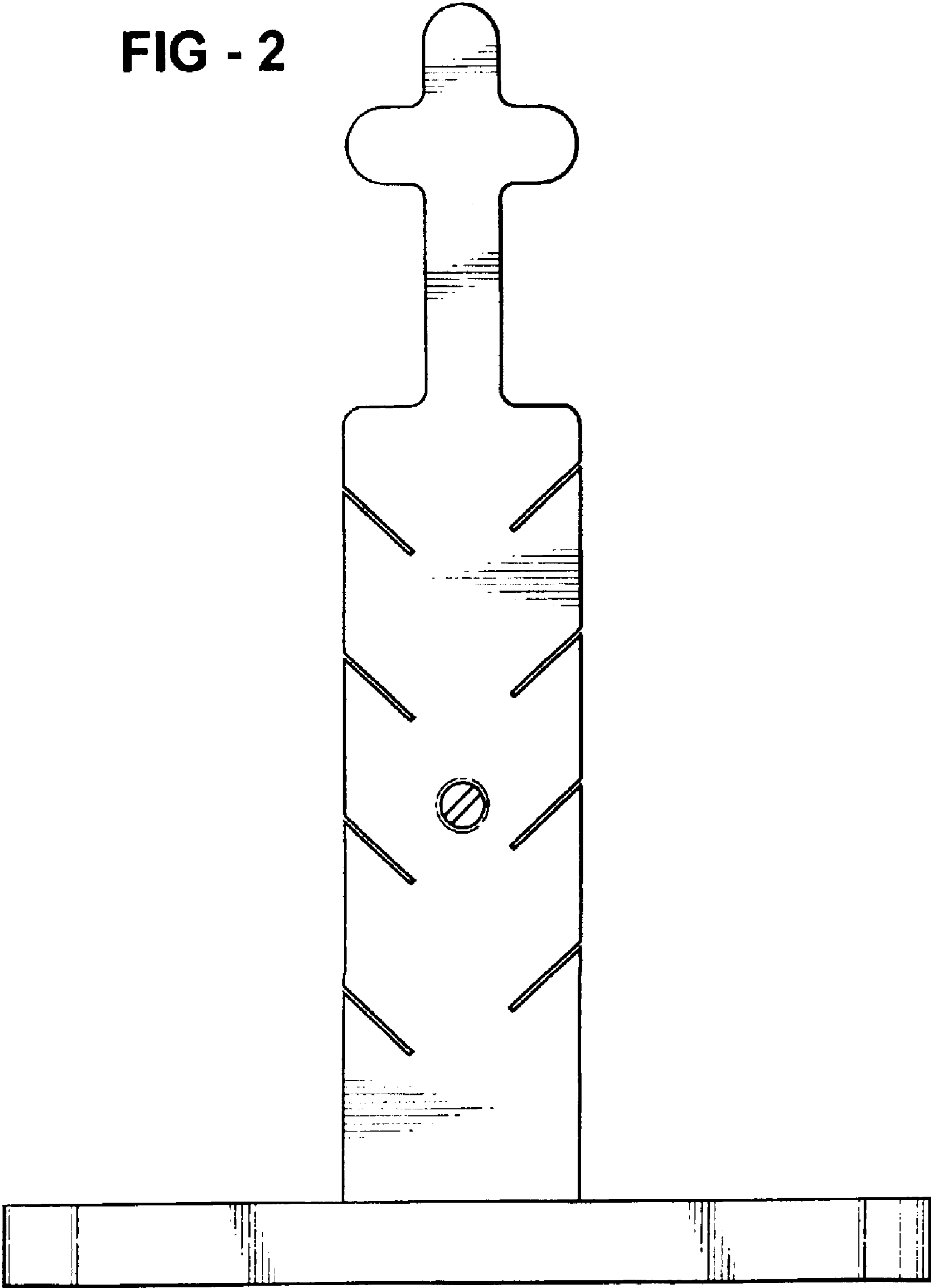


FIG - 3

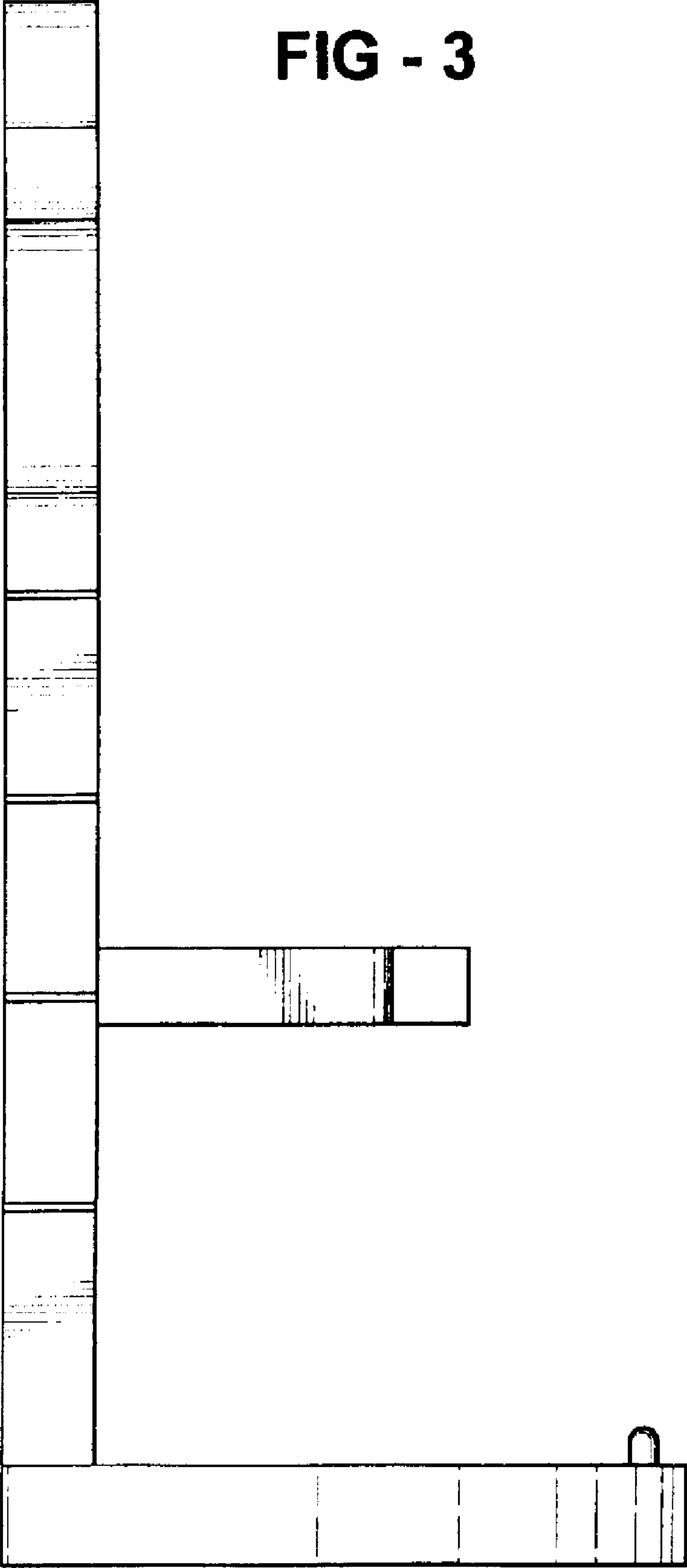


FIG - 4

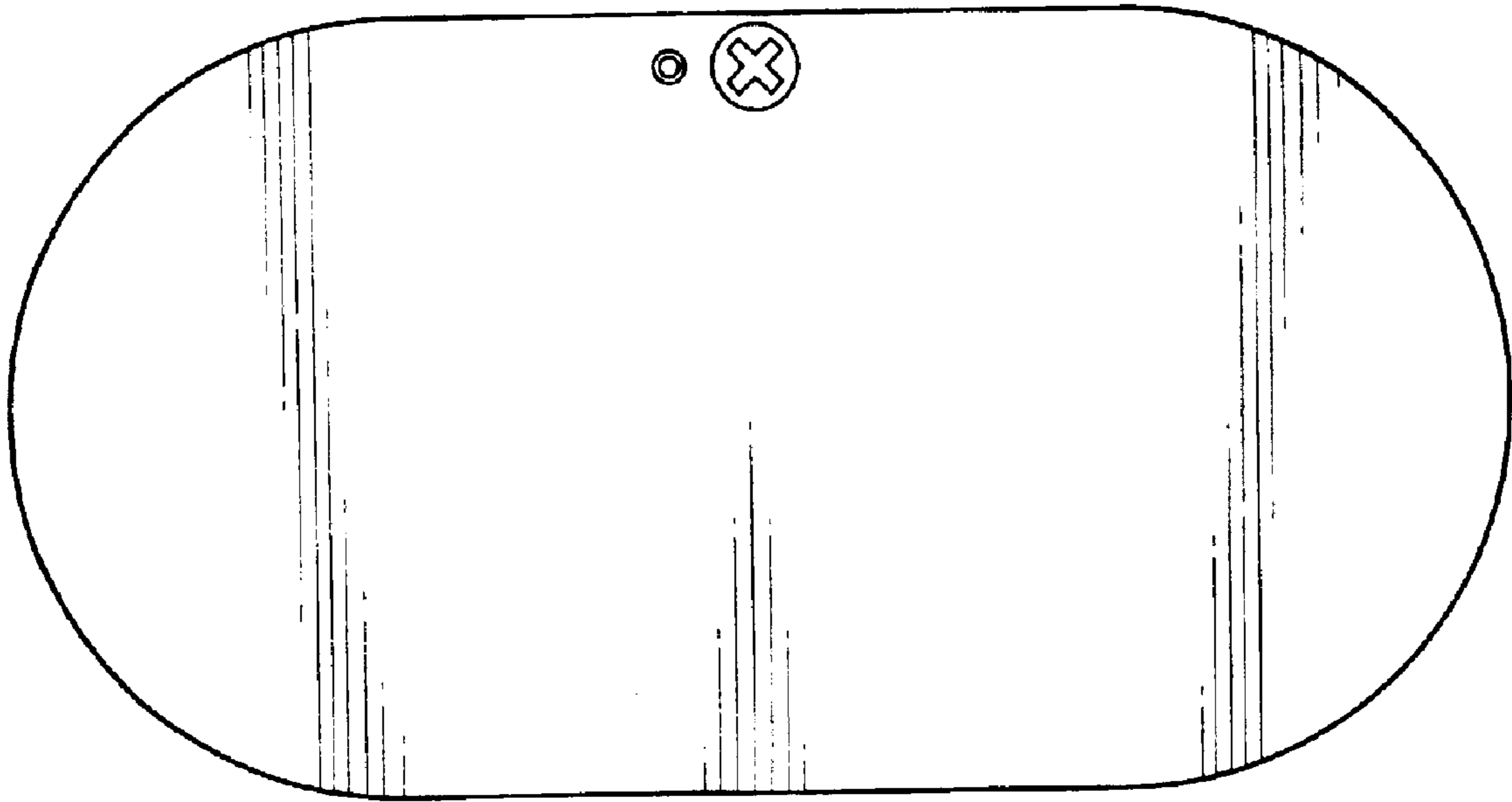


FIG - 5

