



US00D514817S

(12) **United States Design Patent**
Huang

(10) **Patent No.:** **US D514,817 S**
(45) **Date of Patent:** **** Feb. 14, 2006**

(54) **FOOT CLEANING DEVICE**

6,301,739 B1 * 10/2001 Cazaux 15/161
D464,201 S * 10/2002 Haas et al. D4/116

(76) Inventor: **Chu Chau Huang**, P.O. Box 26-757,
Taipei (TW)

* cited by examiner

(**) Term: **14 Years**

Primary Examiner—Cynthia E. Ramirez
(74) *Attorney, Agent, or Firm*—Rosenberg, Klein & Lee

(21) Appl. No.: **29/196,778**

(57) **CLAIM**

(22) Filed: **Dec. 31, 2003**

The ornamental design for a “foot cleaning device,” as shown and described.

(51) **LOC (8) Cl.** **04-01**

(52) **U.S. Cl.** **D4/121; D32/35; D32/42**

(58) **Field of Classification Search** D32/35,
D32/42, 47; D4/120, 121, 124, 125, 137,
D4/159.1, 160, 186, 187, 107, 114, 161, 111
See application file for complete search history.

DESCRIPTION

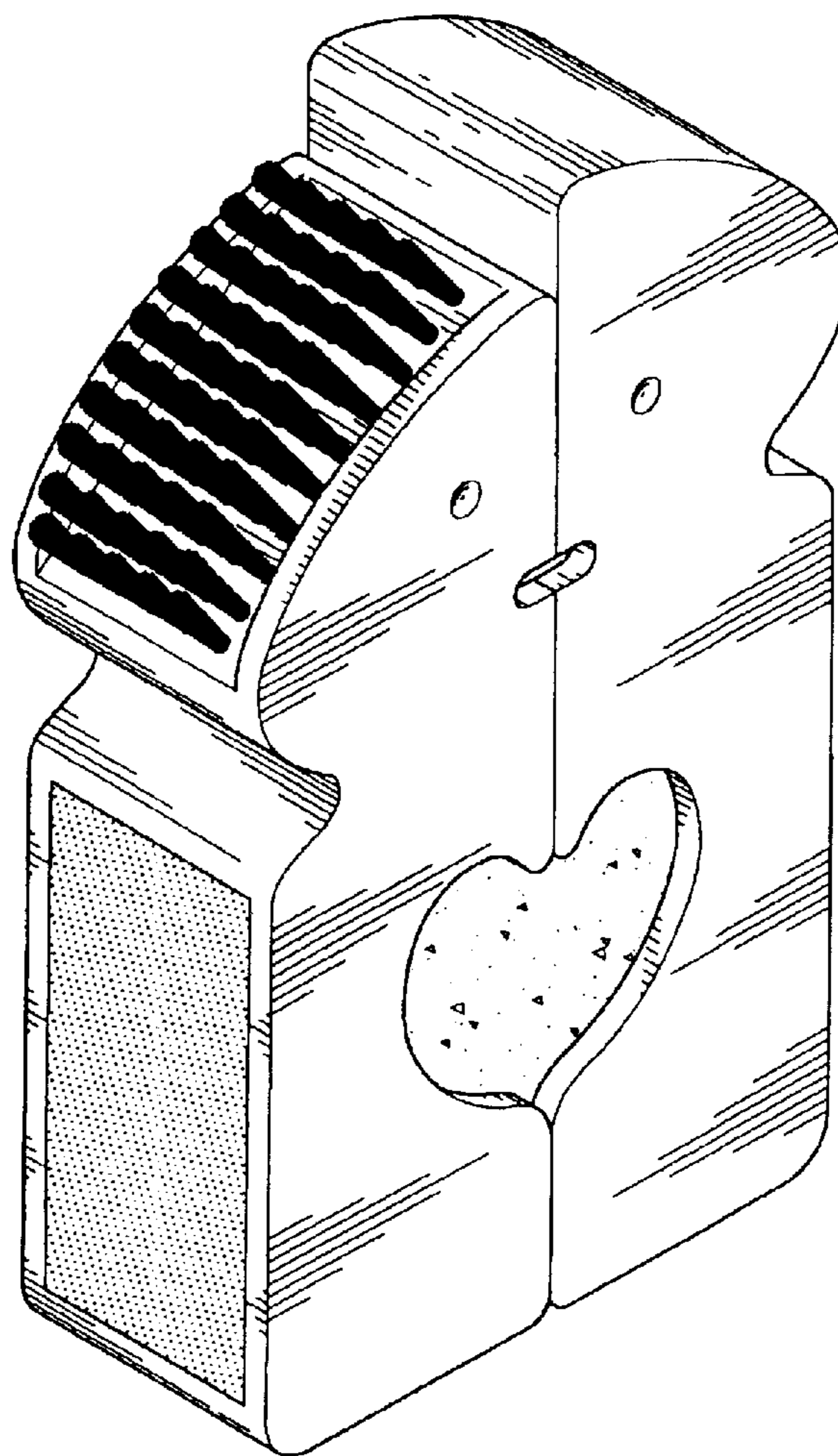
FIG. 1 is a perspective view of a “foot cleaning device” showing my new design;
FIG. 2 is a front view thereof;
FIG. 3 is a rear view thereof;
FIG. 4 is a left side view thereof;
FIG. 5 is a right side view thereof;
FIG. 6 is a top view thereof;
FIG. 7 is a bottom view thereof;
FIG. 8 is an exploded view thereof; and,
FIG. 9 is a cross-sectional view thereof.

(56) **References Cited**

U.S. PATENT DOCUMENTS

D195,819 S	*	8/1963	Mathison	D3/200
4,420,853 A	*	12/1983	Gilman et al.	15/111
D366,565 S	*	1/1996	Harper	D4/121
D408,149 S	*	4/1999	Chen	D4/120
6,032,316 A	*	3/2000	Peake et al.	15/161

1 Claim, 6 Drawing Sheets



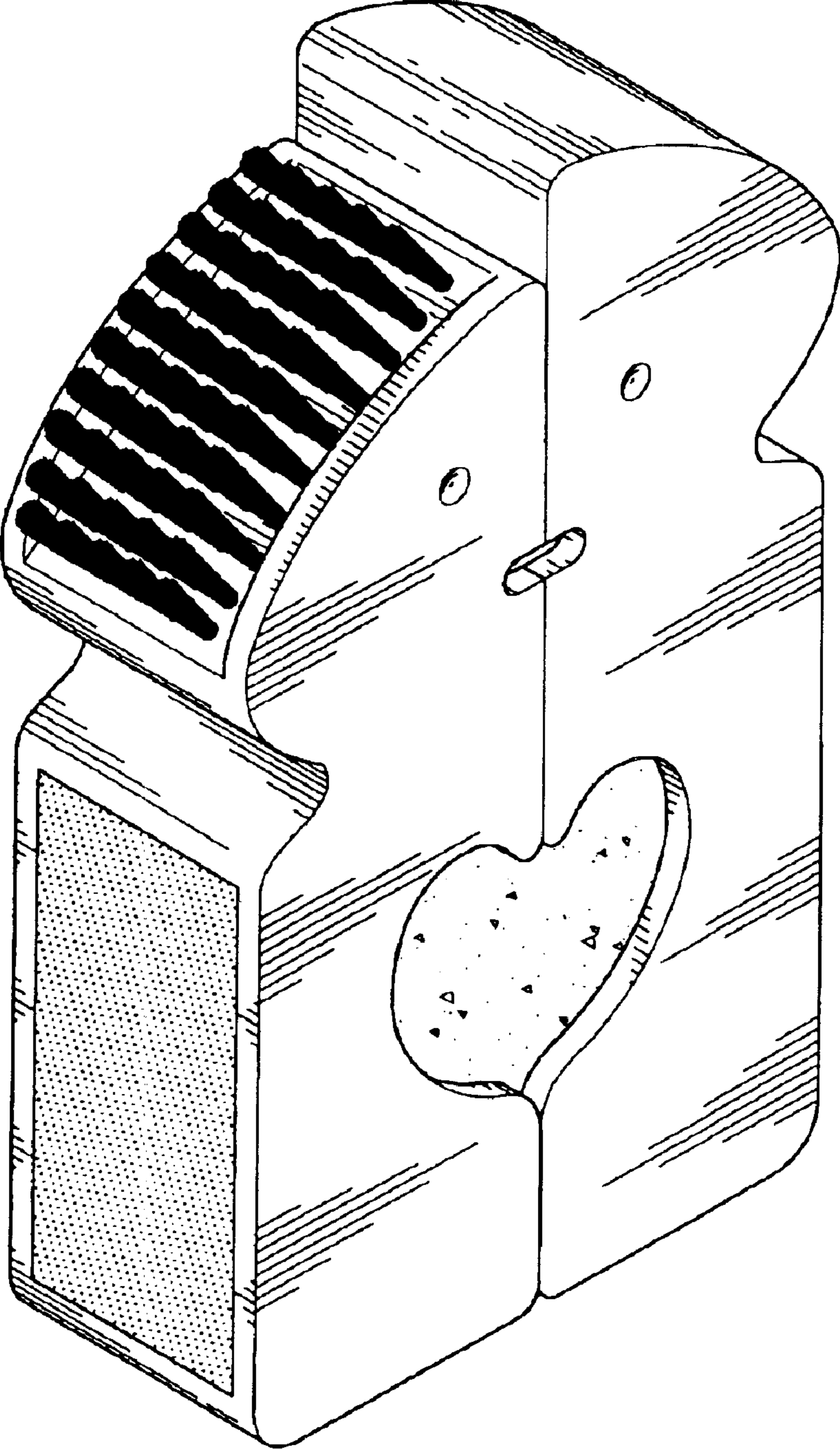


FIG. 1

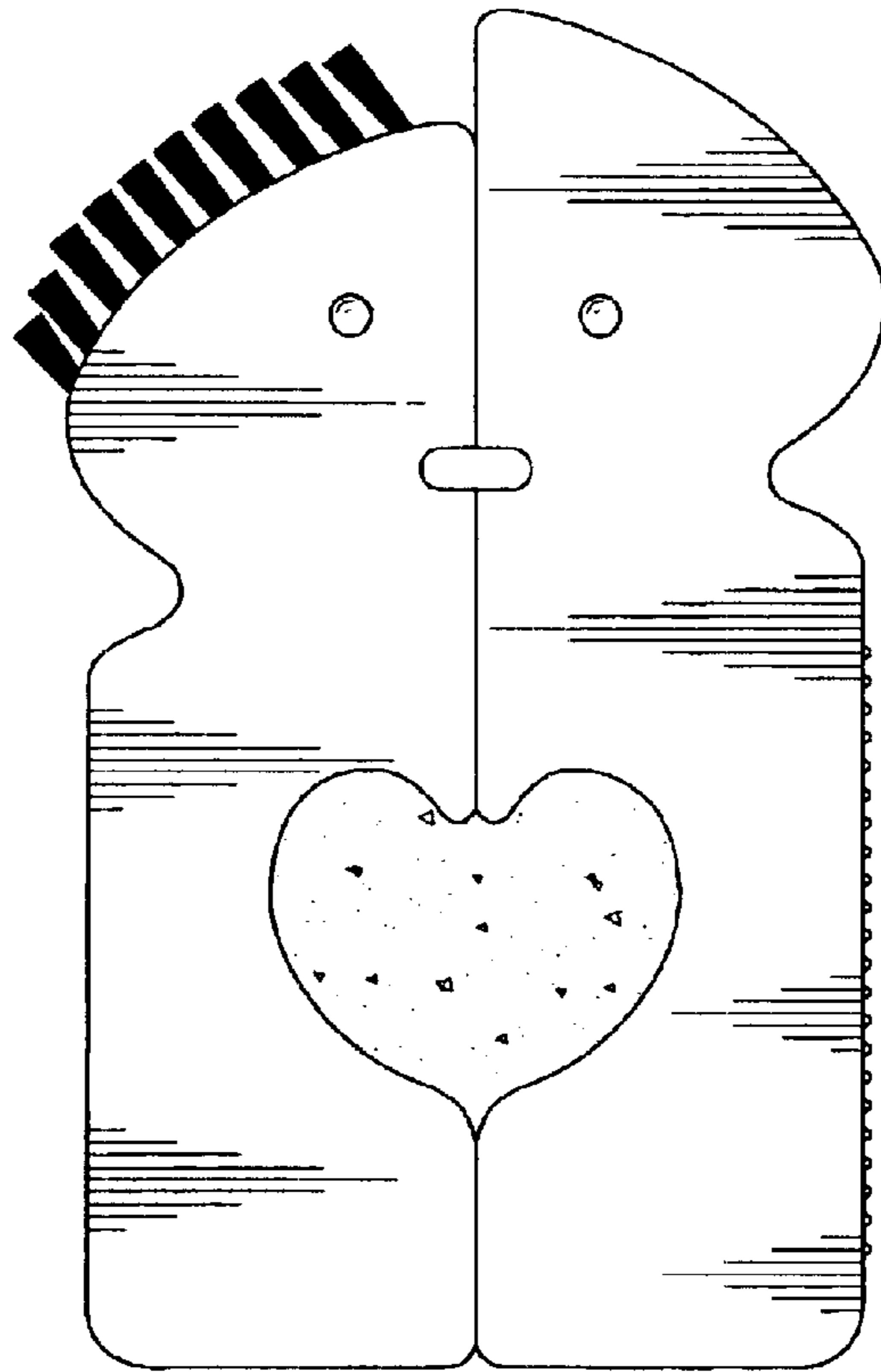


FIG. 2

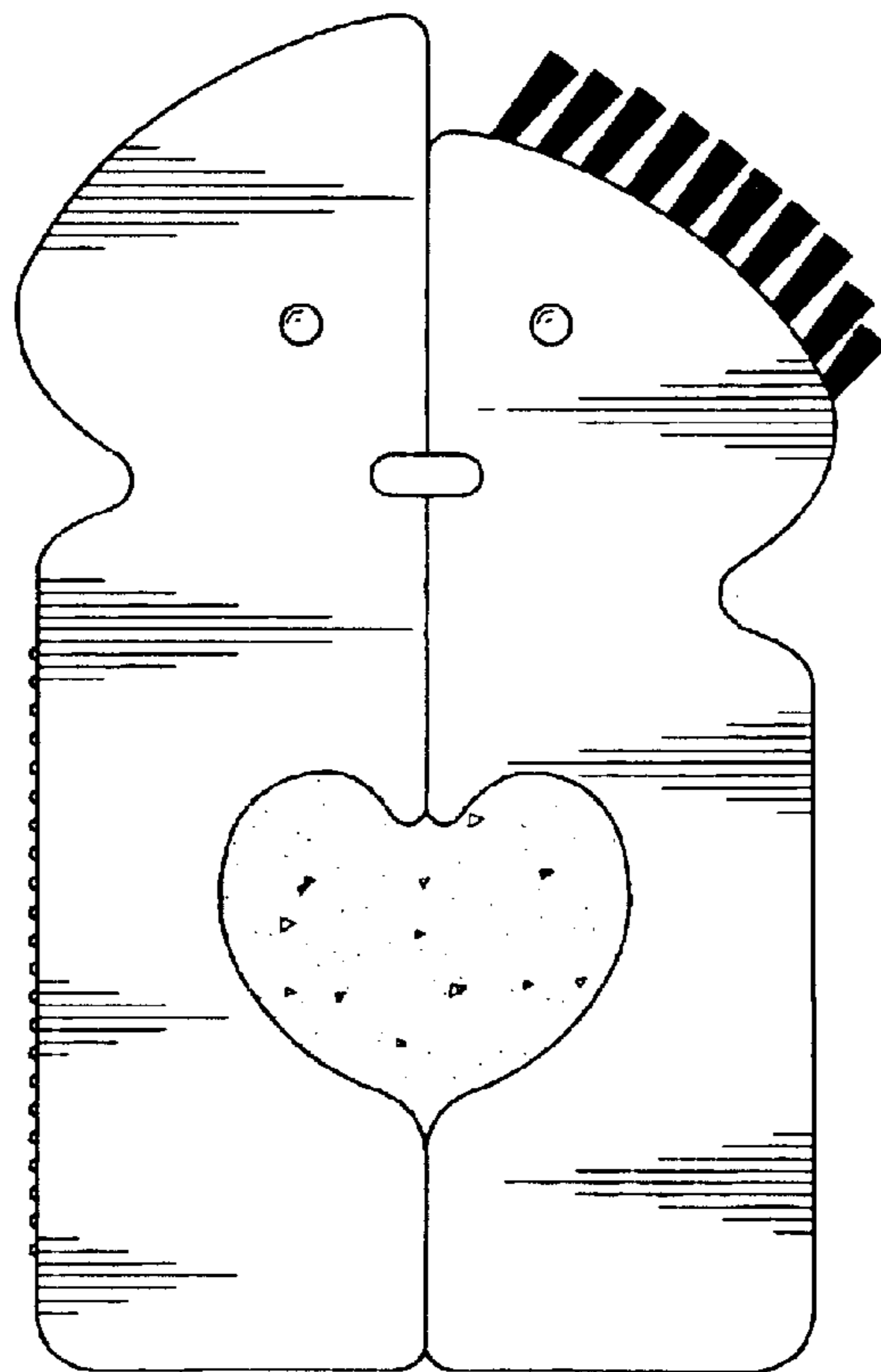


FIG. 3

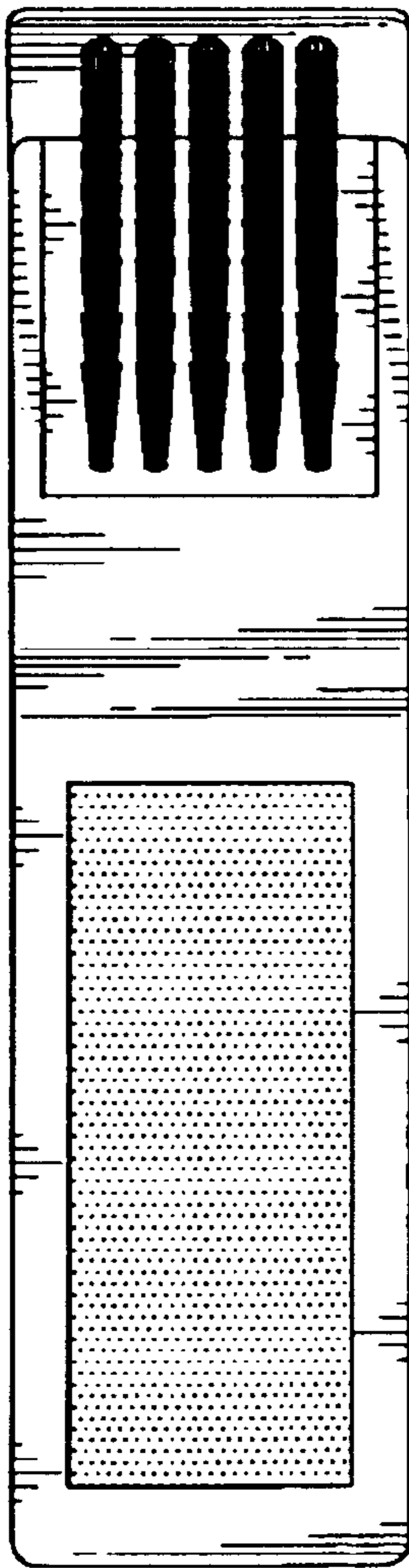


FIG. 4

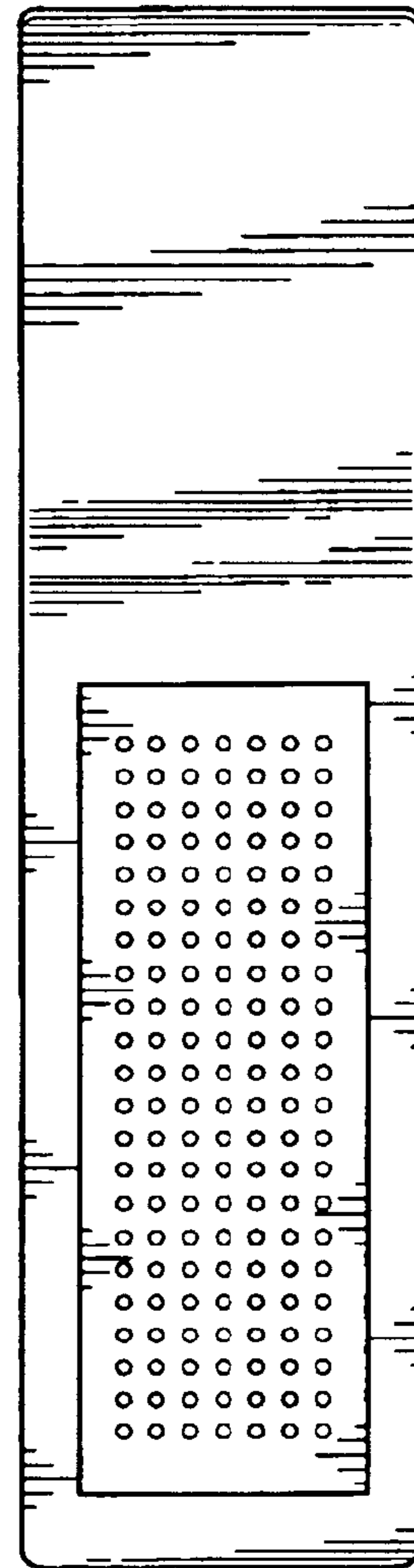


FIG. 5

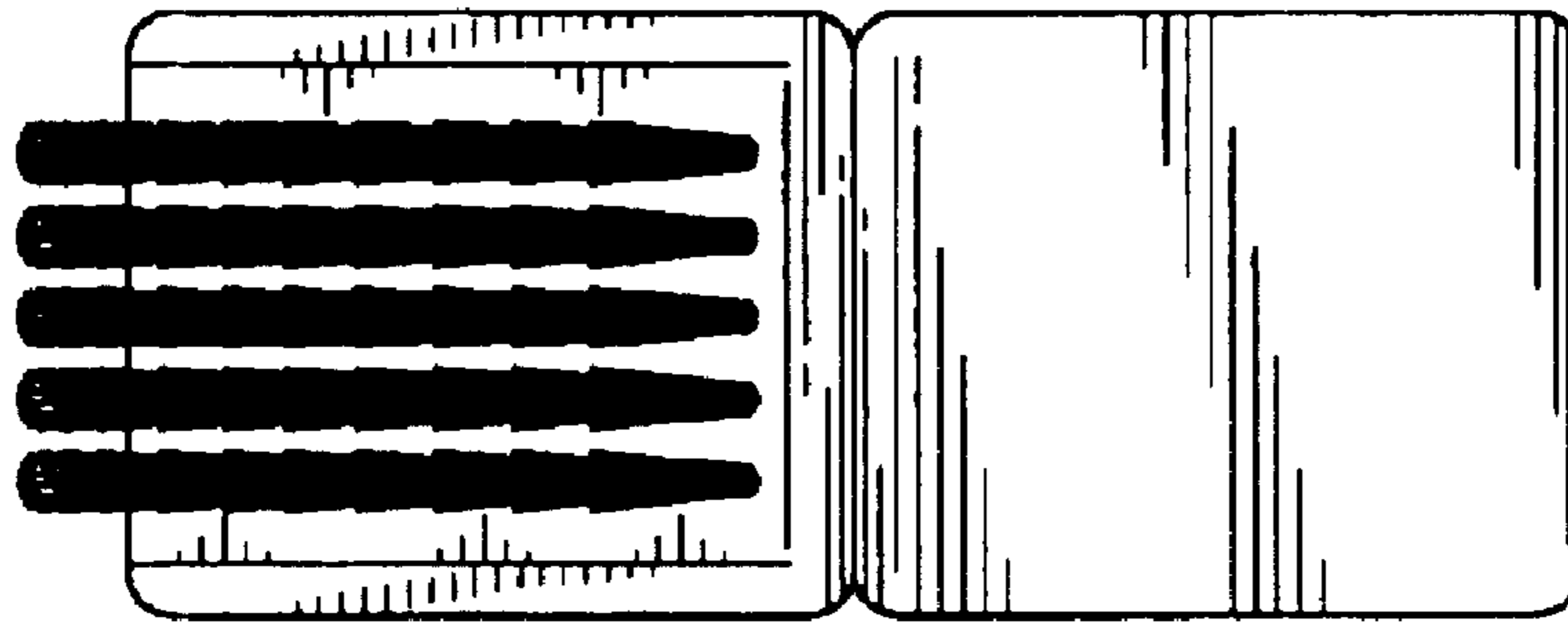


FIG. 6

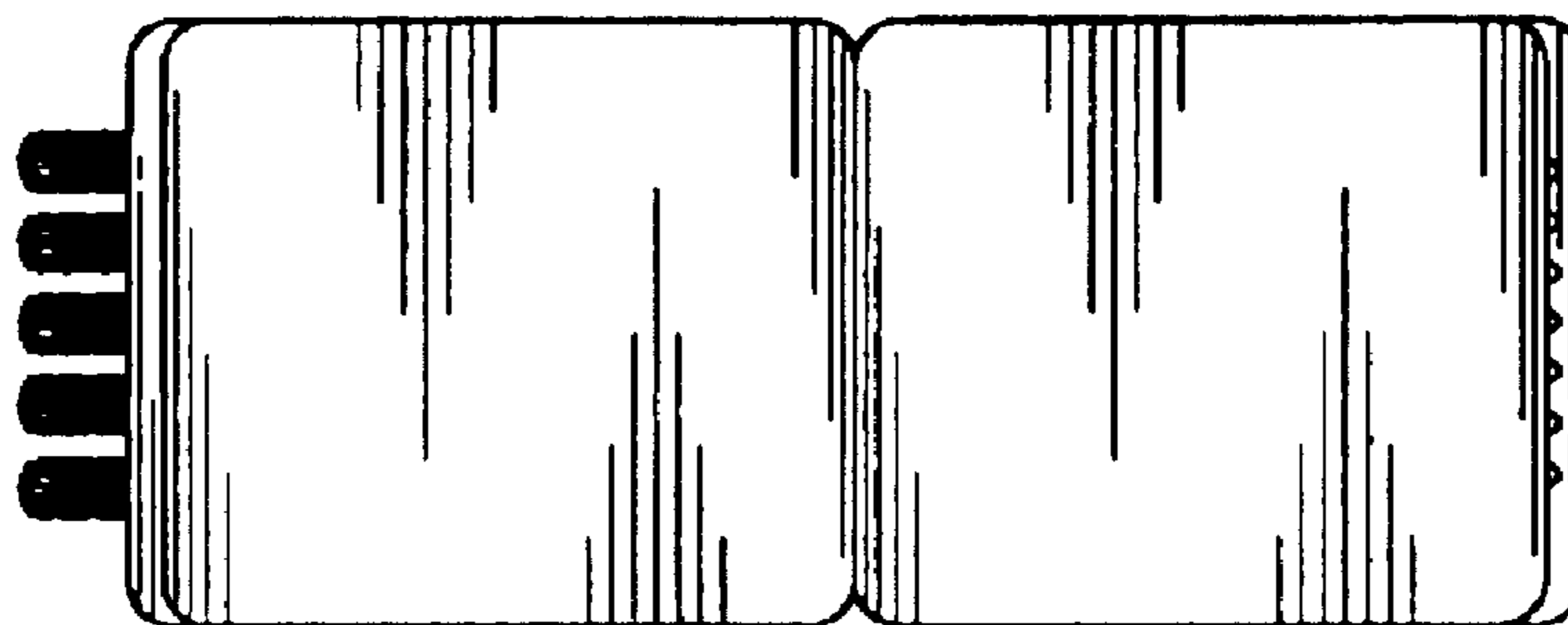


FIG. 7

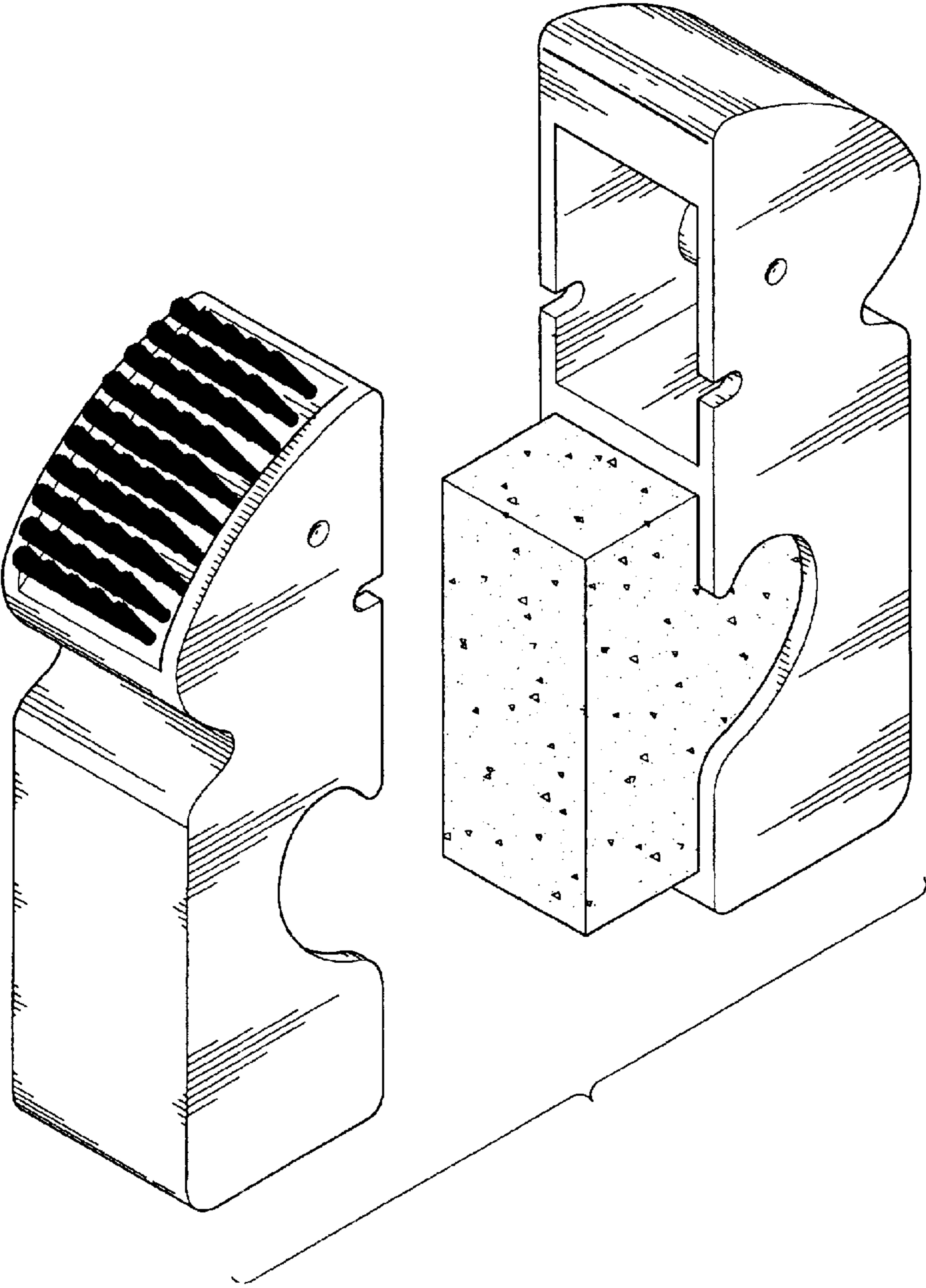


FIG. 8

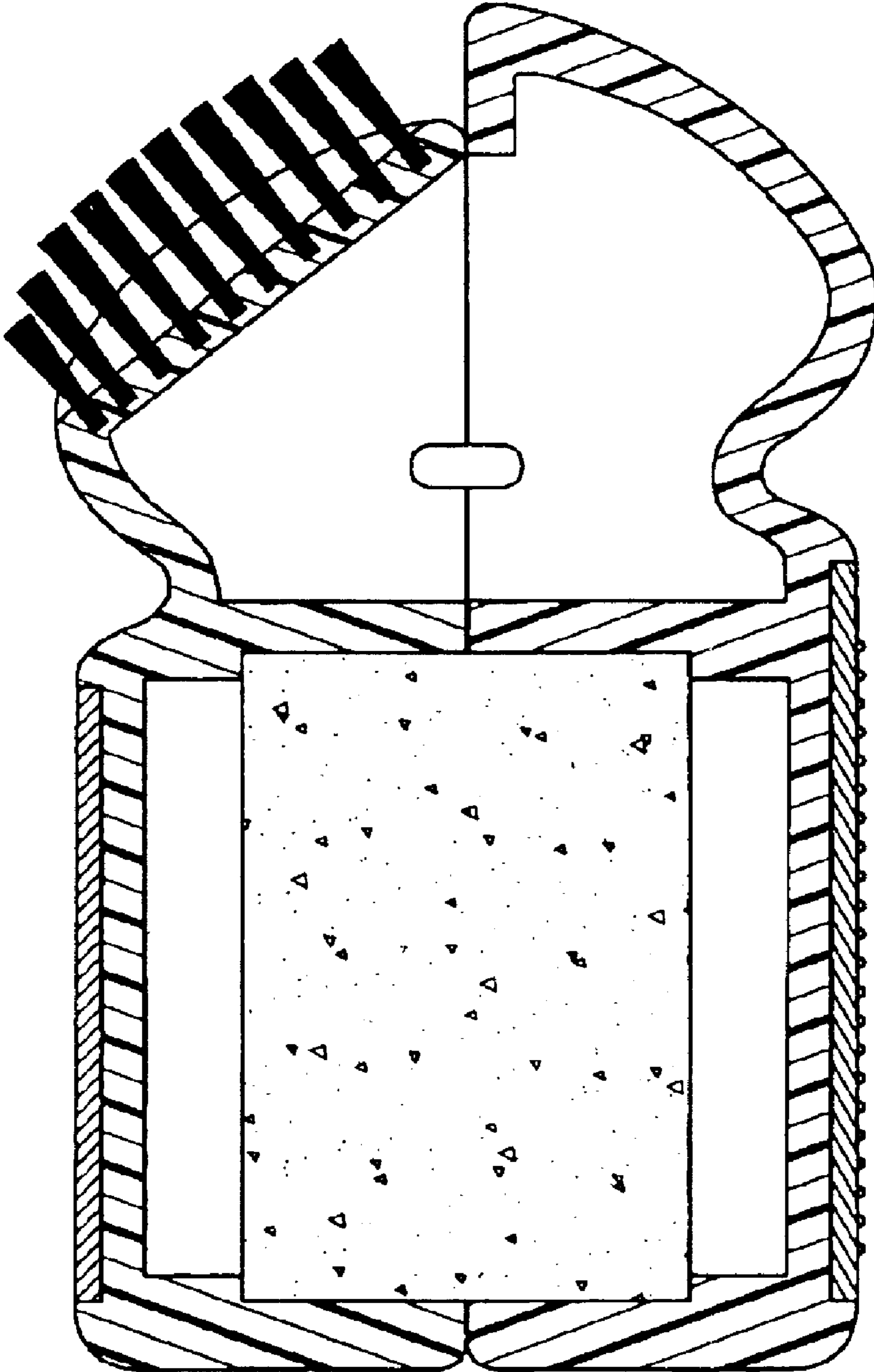


FIG. 9