



US00D514807S

(12) **United States Design Patent**
Concari et al.

(10) **Patent No.:** **US D514,807 S**
(45) **Date of Patent:** **** Feb. 14, 2006**

(54) **STORAGE CONTAINER**

(75) Inventors: **Gabriel E. Concari**, Eldersburg, MD (US); **James E. Pangerc**, Parkville, MD (US)

(73) Assignee: **Black & Decker Inc.**, Newark, DE (US)

(**) Term: **14 Years**

(21) Appl. No.: **29/199,654**

(22) Filed: **Feb. 18, 2004**

(51) **LOC (8) Cl.** **03-01**

(52) **U.S. Cl.** **D3/273**

(58) **Field of Classification Search** D3/273,
D3/276, 281, 282, 284, 294, 295, 905; 206/372,
206/373, 378, 377, 379; D9/420, 423, 424;
190/100; 312/902

See application file for complete search history.

(56) **References Cited**

U.S. PATENT DOCUMENTS

1,247,517 A	11/1917	Ellis	
3,415,407 A	12/1968	Alden et al.	
D340,133 S	10/1993	Hayes-Pankhurst et al.	
D345,650 S	4/1994	Boyd	
D418,977 S	* 1/2000	Streich D3/273
6,015,064 A	1/2000	Liu	
D437,684 S	2/2001	Streich et al.	
D447,634 S	9/2001	Snider	

D448,167 S	* 9/2001	Pangerc et al. D3/294
D449,931 S	* 11/2001	Snider D3/294
6,405,864 B1	6/2002	Streich et al.	
D467,078 S	* 12/2002	Snider D3/294
D474,401 S	* 5/2003	Chiang D9/418
D477,714 S	* 7/2003	Cunningham et al. D3/273
D477,912 S	* 8/2003	Cunningham et al. D3/273
D481,868 S	* 11/2003	Cunningham et al. D3/273
6,698,609 B2	* 3/2004	Pangerc et al. 220/23.87

* cited by examiner

Primary Examiner—Philip S. Hyder

(74) *Attorney, Agent, or Firm*—Harness, Dickey & Pierce, P.L.C.

(57) **CLAIM**

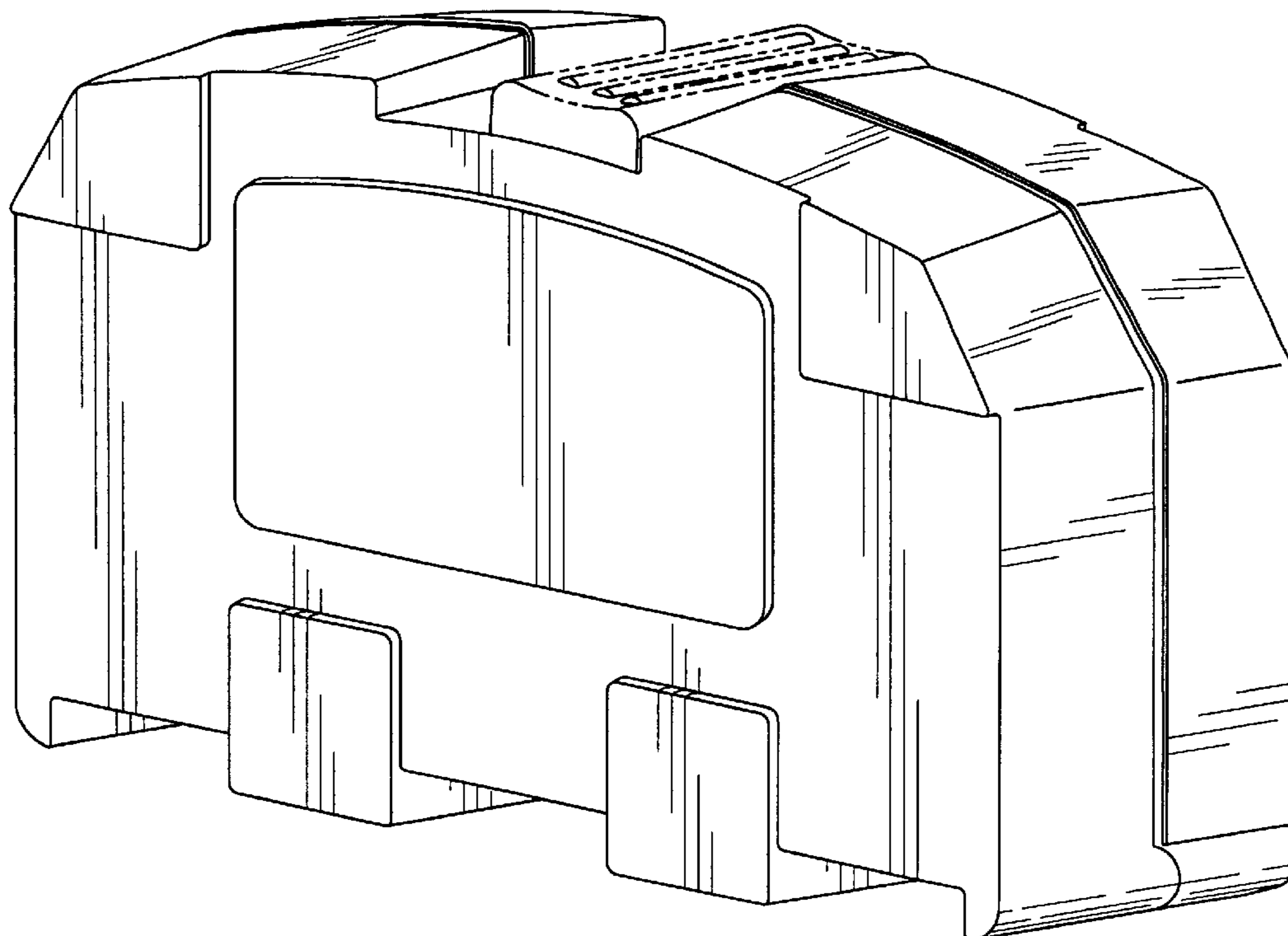
The ornamental design for a storage container, as shown and described.

DESCRIPTION

FIG. 1 is a front perspective view of a storage container; FIG. 2 is a front view thereof; FIG. 3 is a rear view thereof; FIG. 4 is a top view thereof; FIG. 5 is a bottom view thereof; FIG. 6 is a right side view thereof; and, FIG. 7 is a left side view thereof.

The areas shown in phantom lines in FIGS. 1–7 are for illustrative purposes only, and do not form any part of the claimed invention.

1 Claim, 3 Drawing Sheets



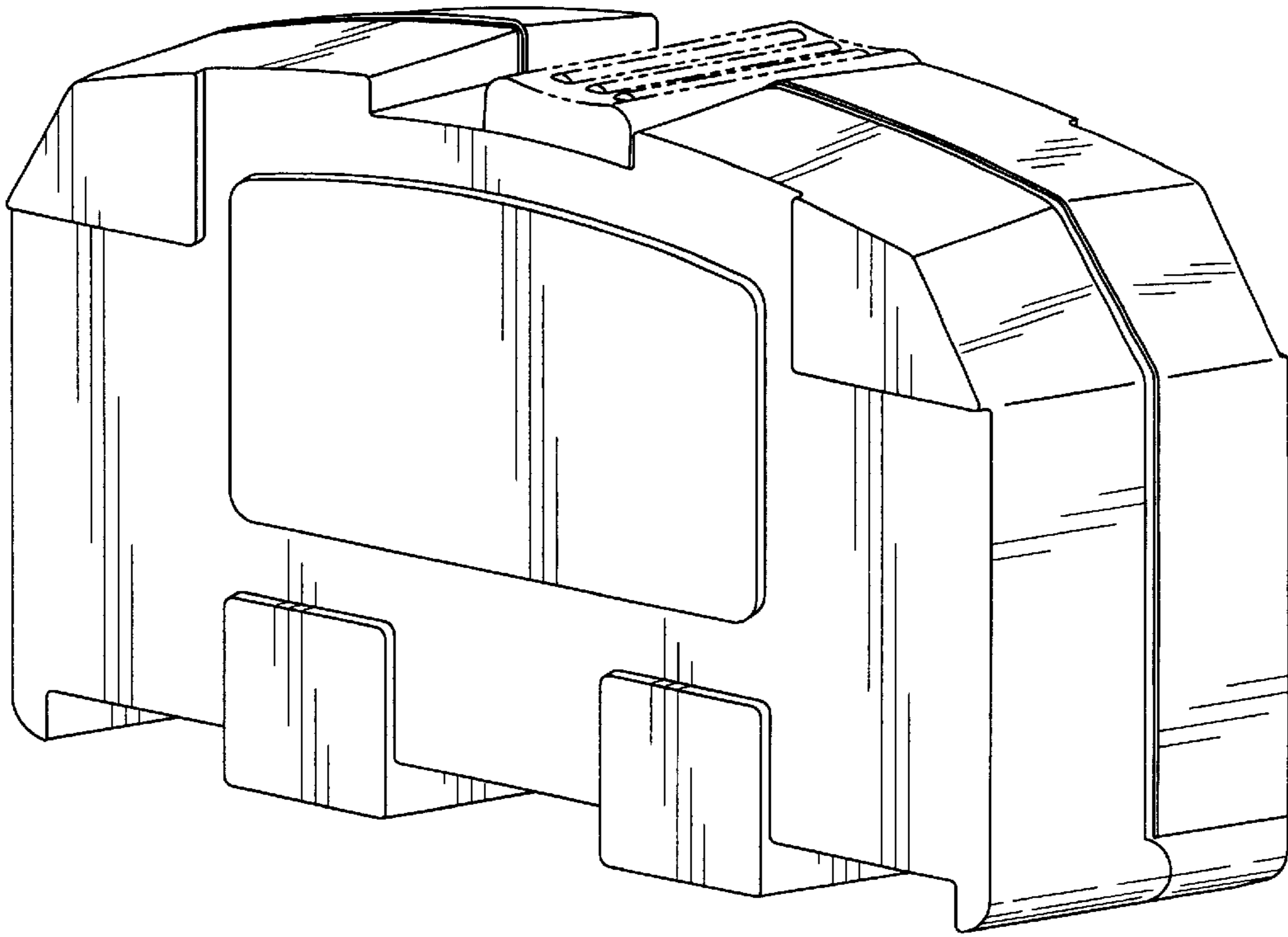


Fig-1

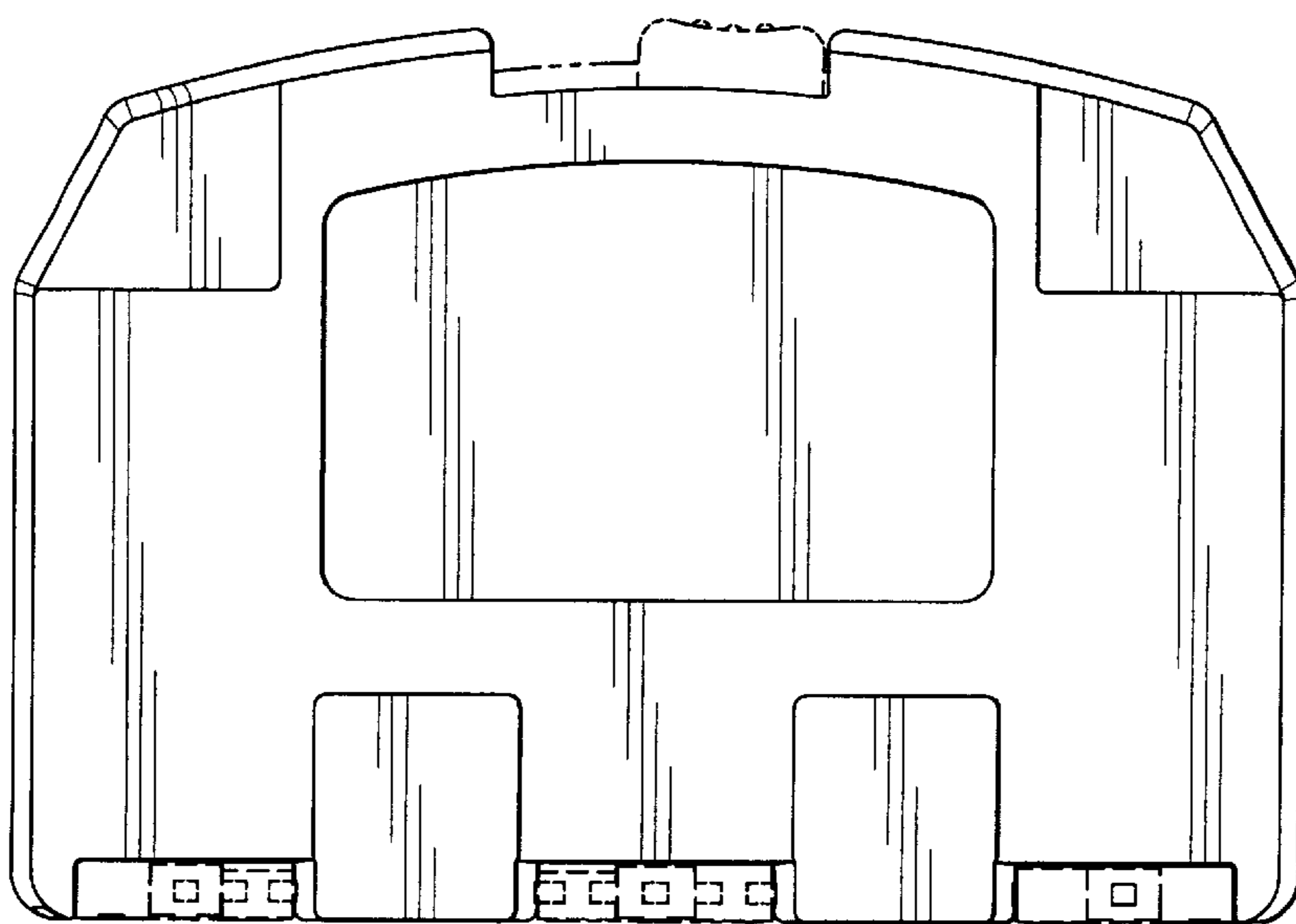


Fig-2

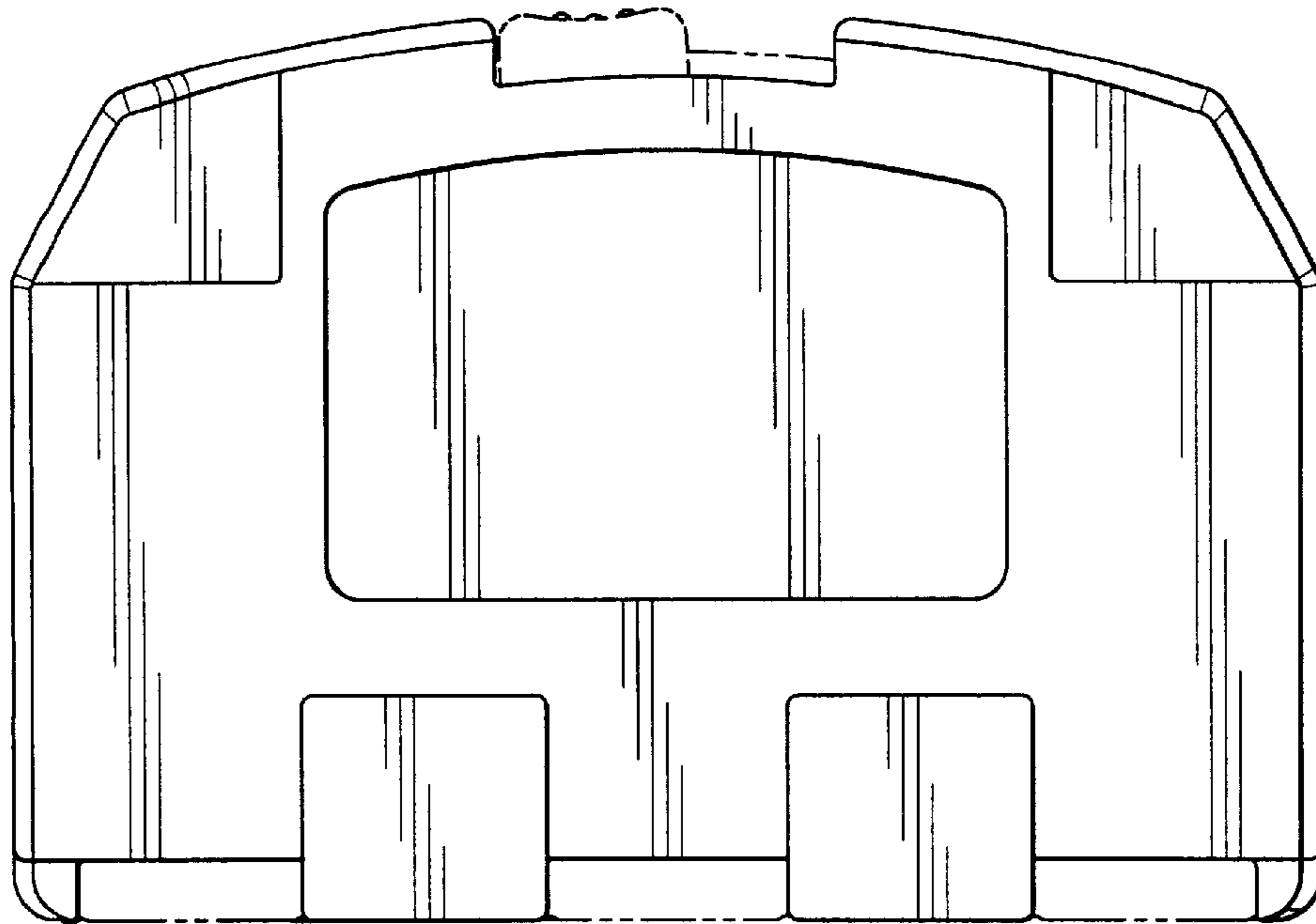


Fig-3

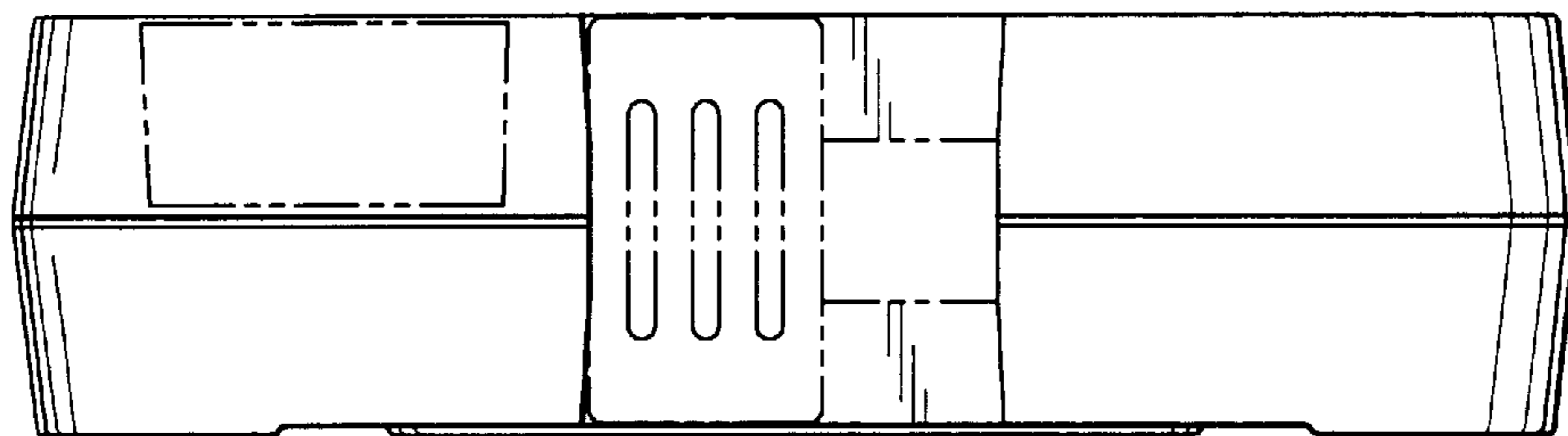


Fig-4

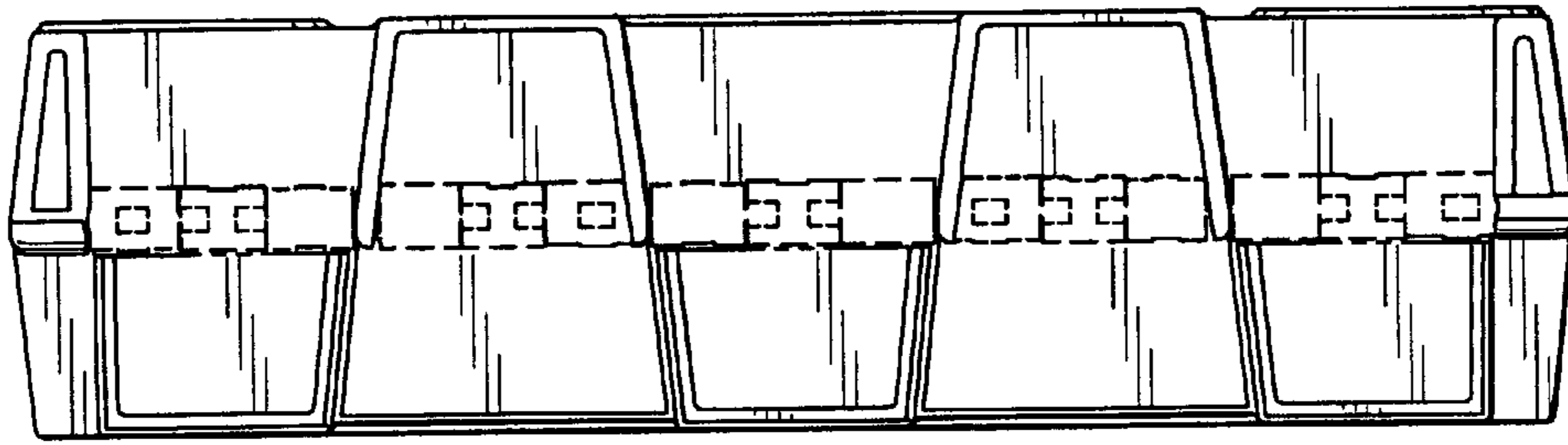


Fig-5

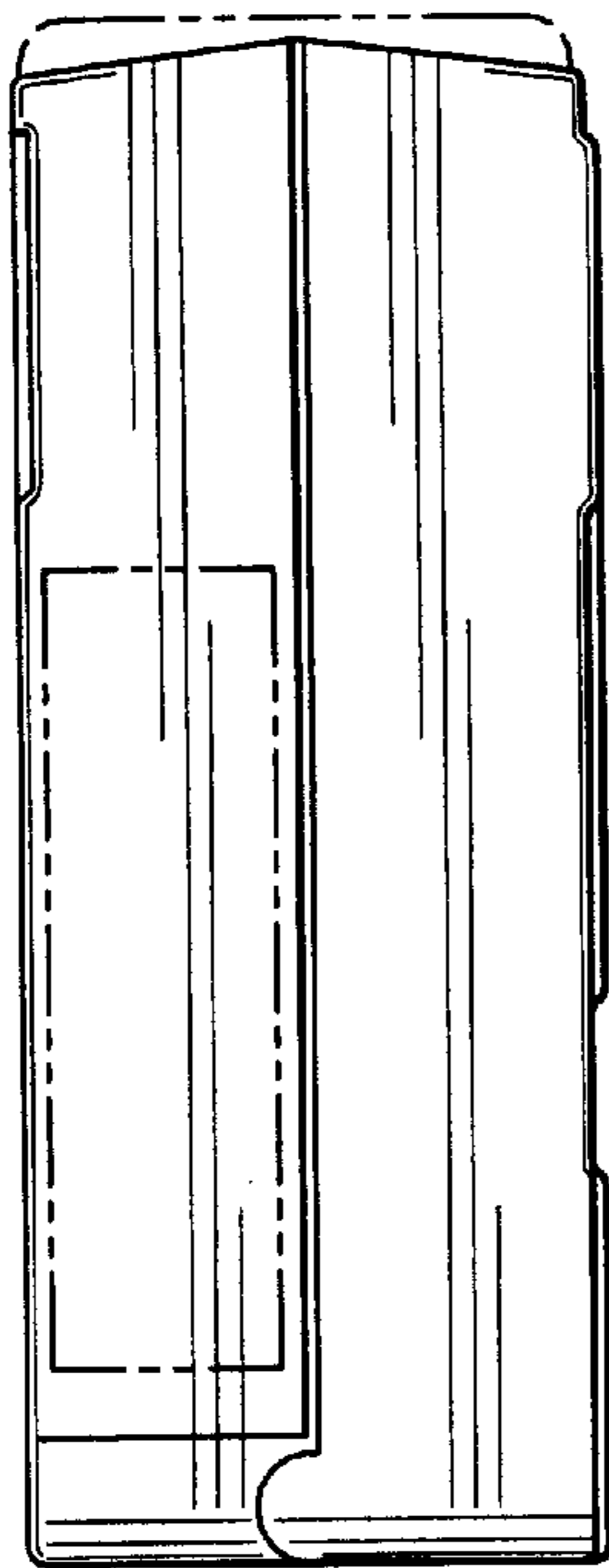


Fig-6

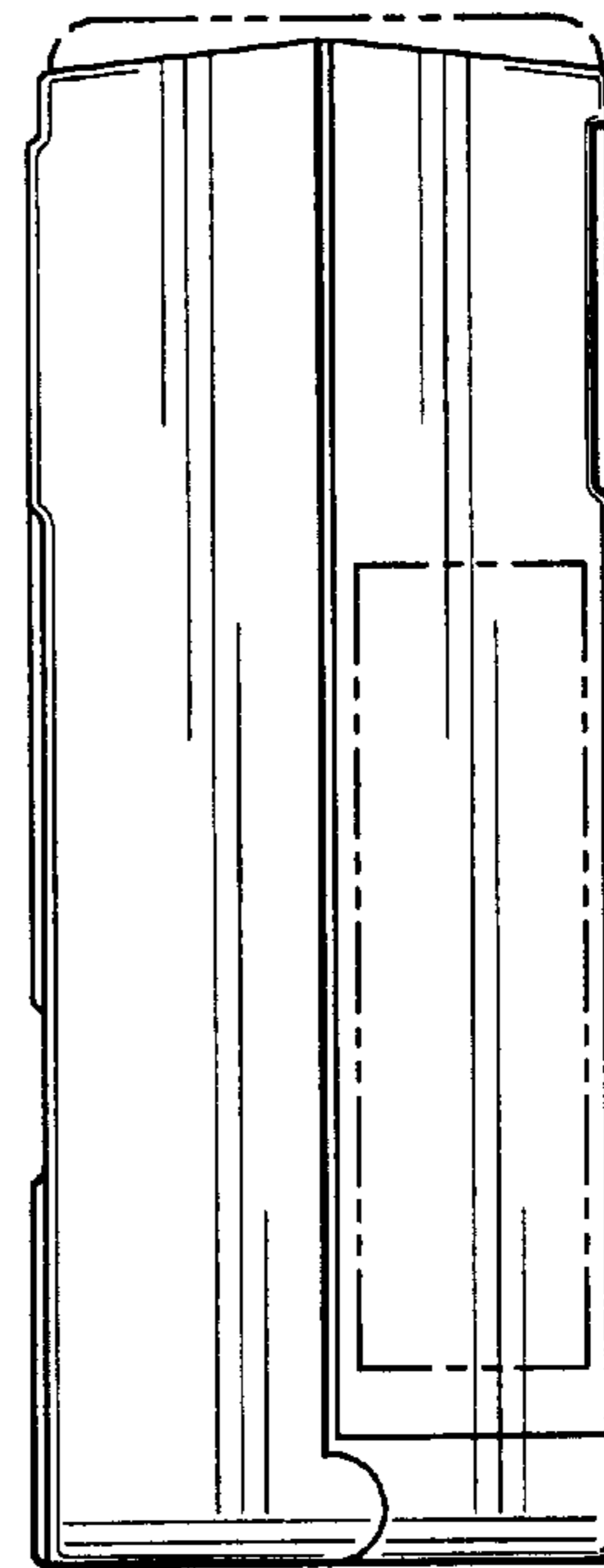


Fig-7