



US00D514802S

(12) **United States Design Patent**  
**Nadler**

(10) **Patent No.:** **US D514,802 S**  
(45) **Date of Patent:** **\*\* Feb. 14, 2006**

(54) **INFLATABLE SHAPER**

(75) Inventor: **Thomas I. Nadler**, West Orange, NJ (US)

(73) Assignee: **World Packaging Inc.**, North Arlington, NJ (US)

(\*\*) Term: **14 Years**

(21) Appl. No.: **29/196,007**

(22) Filed: **Dec. 19, 2003**

(51) **LOC (8) Cl.** ..... **02-99**

(52) **U.S. Cl.** ..... **D2/979**

(58) **Field of Classification Search** ..... D2/979;  
D21/440; 12/114.2-117.4; 446/220-224  
See application file for complete search history.

(56) **References Cited**

**U.S. PATENT DOCUMENTS**

1,048,826	A	*	12/1912	Grune	.....	12/114.4
1,893,795	A	*	1/1933	Chapman	.....	12/114.4
2,273,489	A	*	2/1942	Holmes	.....	12/114.4
2,787,013	A	*	4/1957	Moses	.....	12/115.8
3,473,177	A	*	10/1969	Palson et al.	.....	12/115.6
D258,699	S	*	3/1981	McPherson	.....	D2/979
D346,064	S	*	4/1994	Markowitz	.....	D2/979
5,414,975	A	*	5/1995	Hummel	.....	12/114.4
D362,113	S	*	9/1995	Markowitz	.....	D2/979
D368,579	S	*	4/1996	Blackwell	.....	D2/979

D399,046 S \* 10/1998 Schwartz et al. .... D2/979  
D418,670 S \* 1/2000 Wilcox ..... D2/979

\* cited by examiner

*Primary Examiner*—Dominic Simone

(74) *Attorney, Agent, or Firm*—Kirschstein, et al.

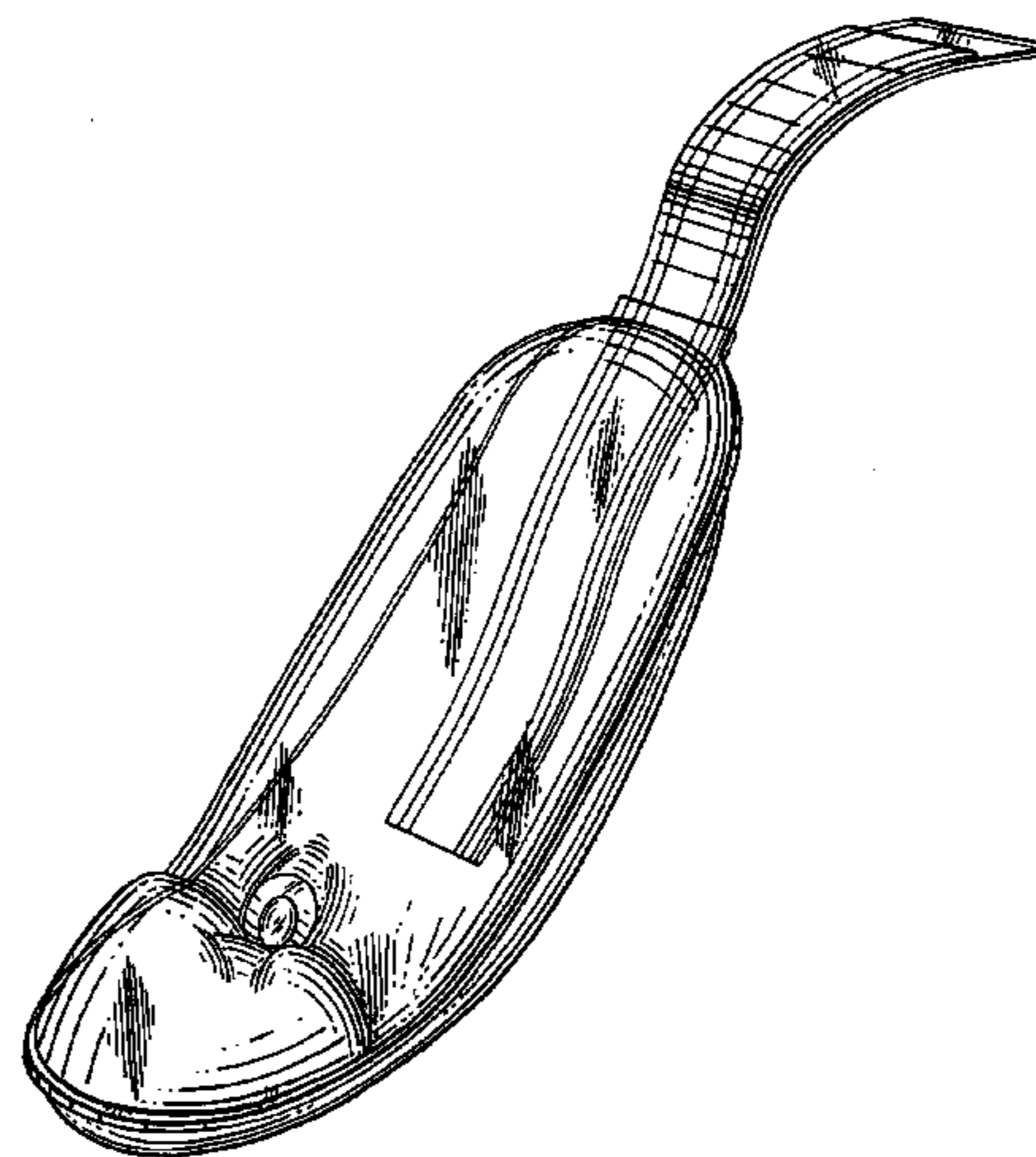
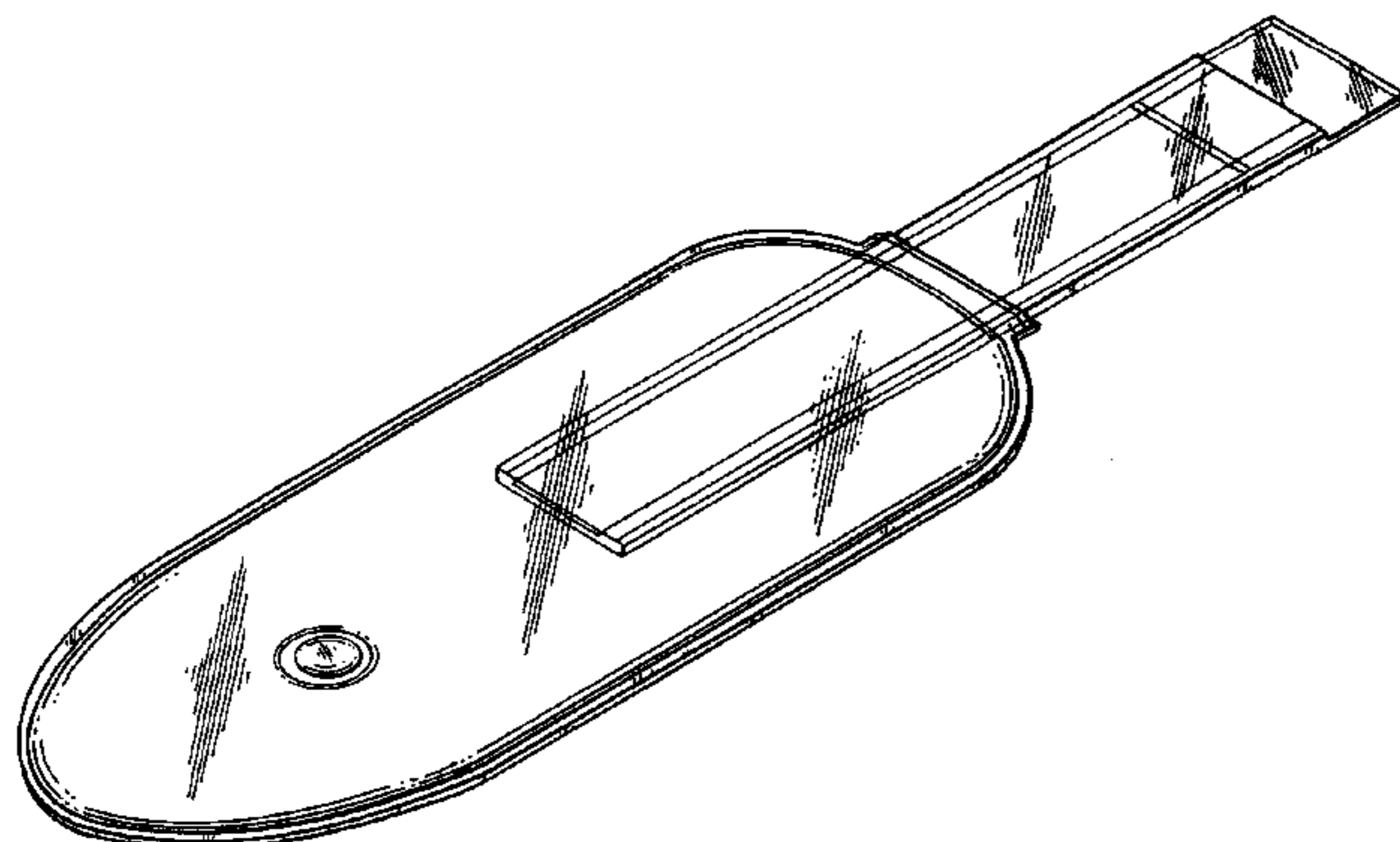
(57) **CLAIM**

The ornamental design for an inflatable shaper, as shown and described.

**DESCRIPTION**

FIG. 1 is a perspective view of a shaper in a deflated state according to my new design;  
FIG. 2 is a front end view of the shaper of FIG. 1;  
FIG. 3 is a top plan on the shaper of FIG. 1;  
FIG. 4 is a right side view of the shaper of FIG. 1, the left side view being a mirror image;  
FIG. 5 is a rear end view of the shaper of FIG. 1;  
FIG. 6 is a bottom plan view of the shaper of FIG. 1;  
FIG. 7 is a perspective view of the shaper of FIG. 1 in an inflated state during use;  
FIG. 8 is a front elevational view of the shaper of FIG. 7;  
FIG. 9 is a left side view of the shaper of FIG. 7, the right side view being a mirror image;  
FIG. 10 is a top plan view of the shaper of FIG. 7;  
FIG. 11 is a rear elevational view of the shaper of FIG. 7;  
and,  
FIG. 12 is a bottom plan view of the shaper of FIG. 7.

**1 Claim, 5 Drawing Sheets**



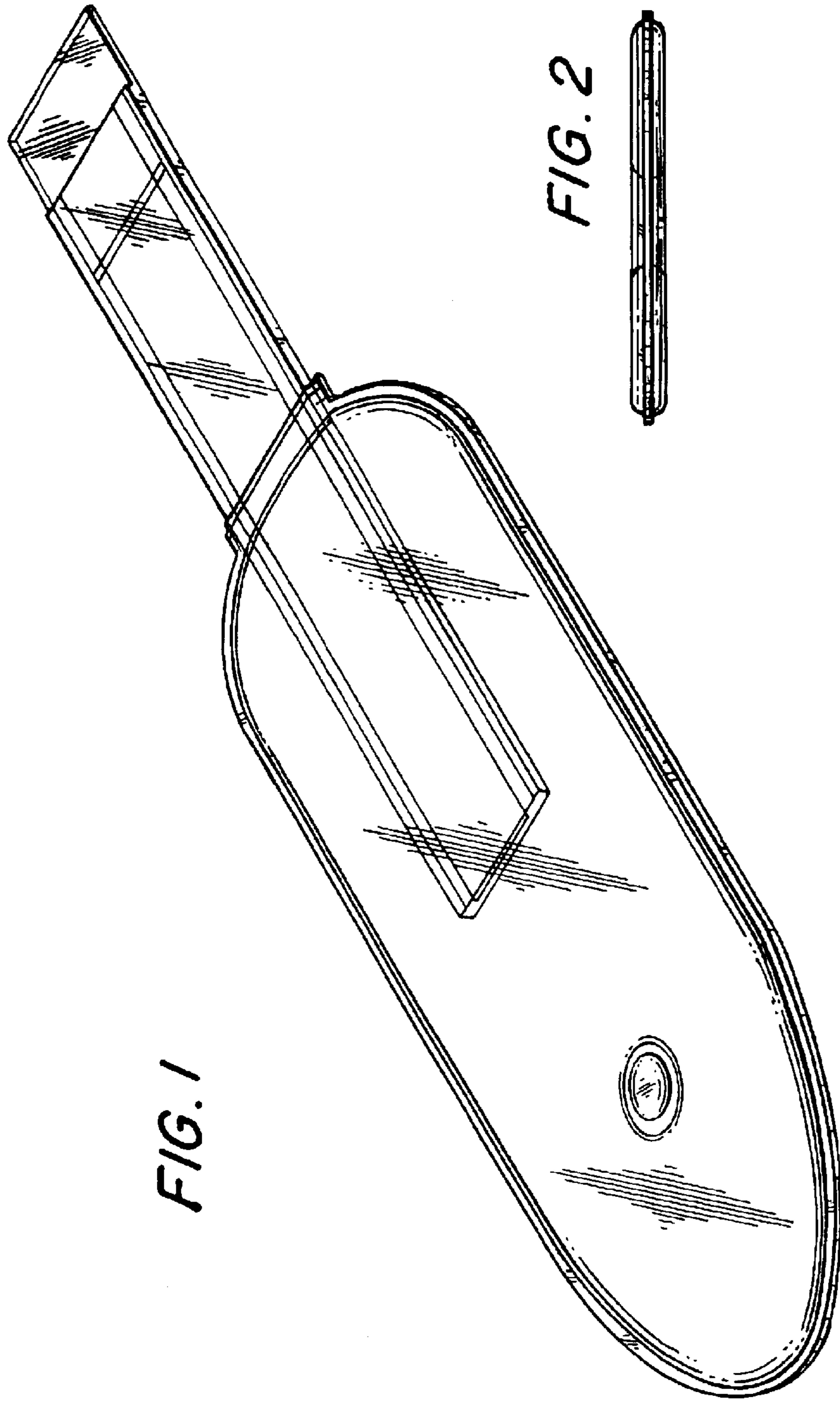


FIG. 1

FIG. 2



FIG. 5



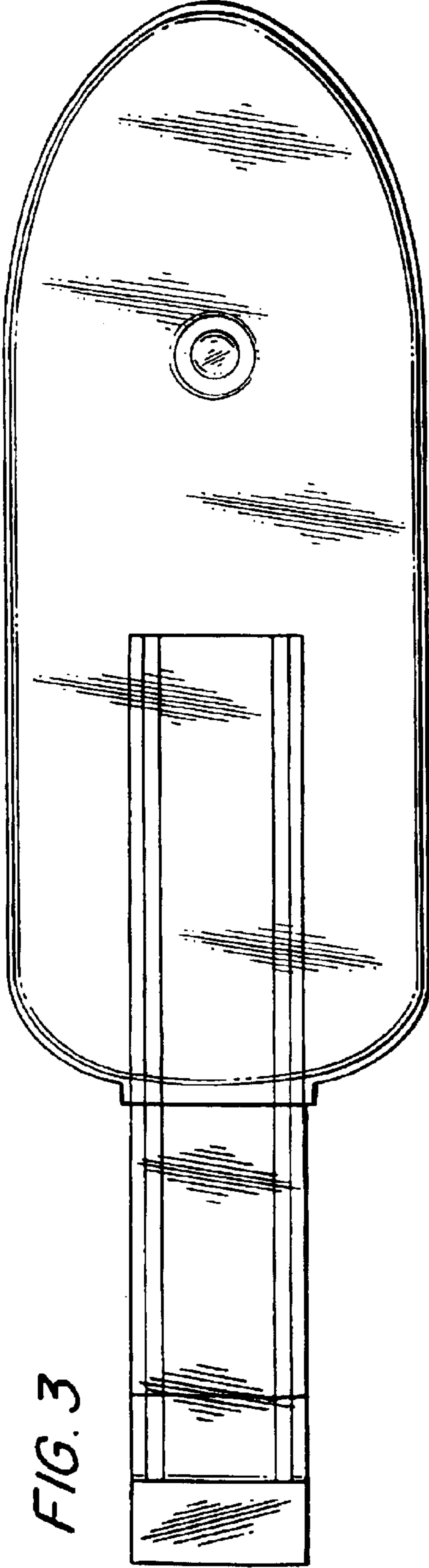


FIG. 3



FIG. 4

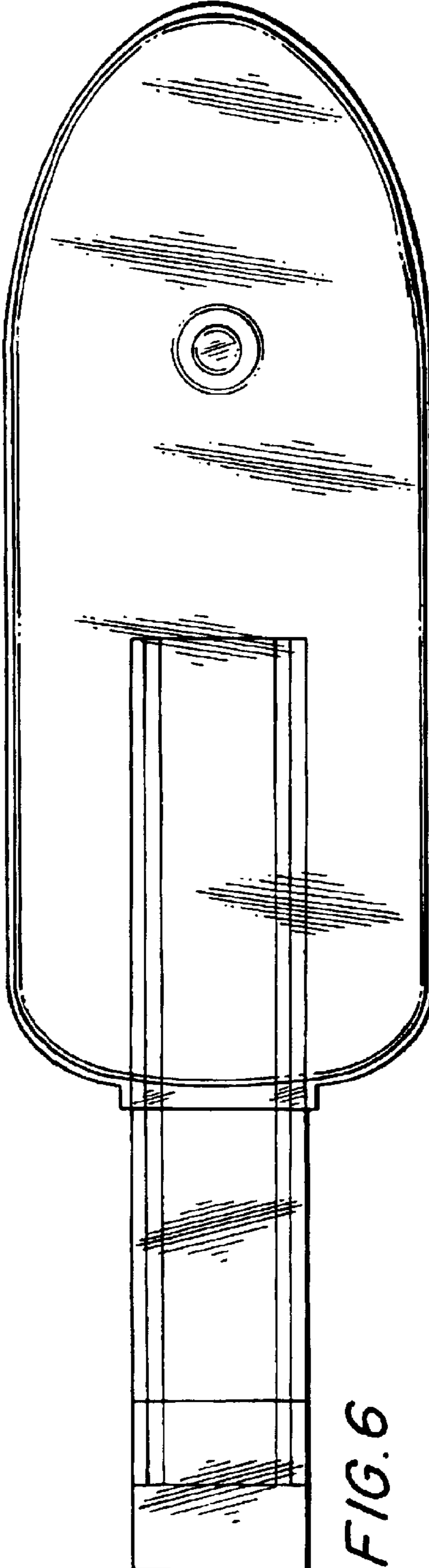


FIG. 6

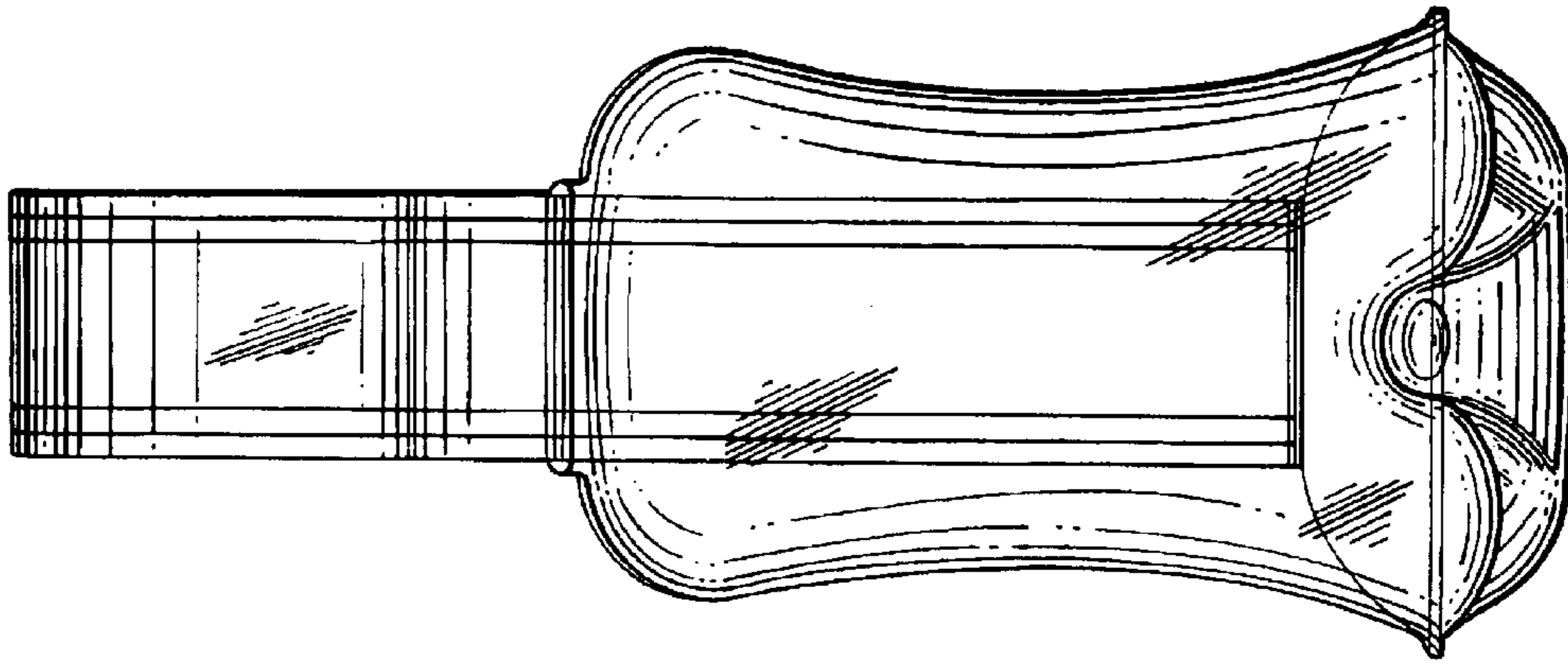


FIG. 11

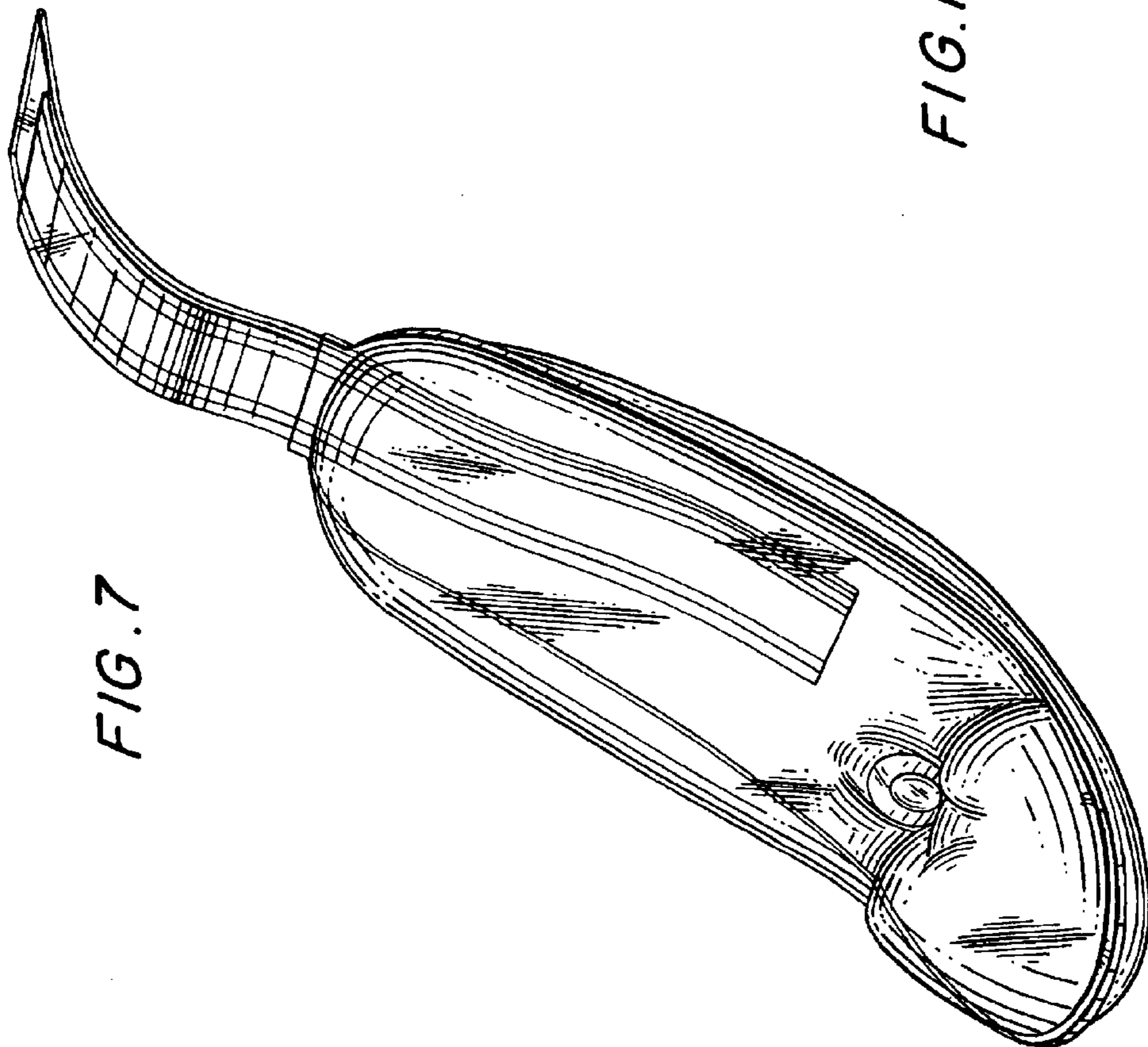


FIG. 7

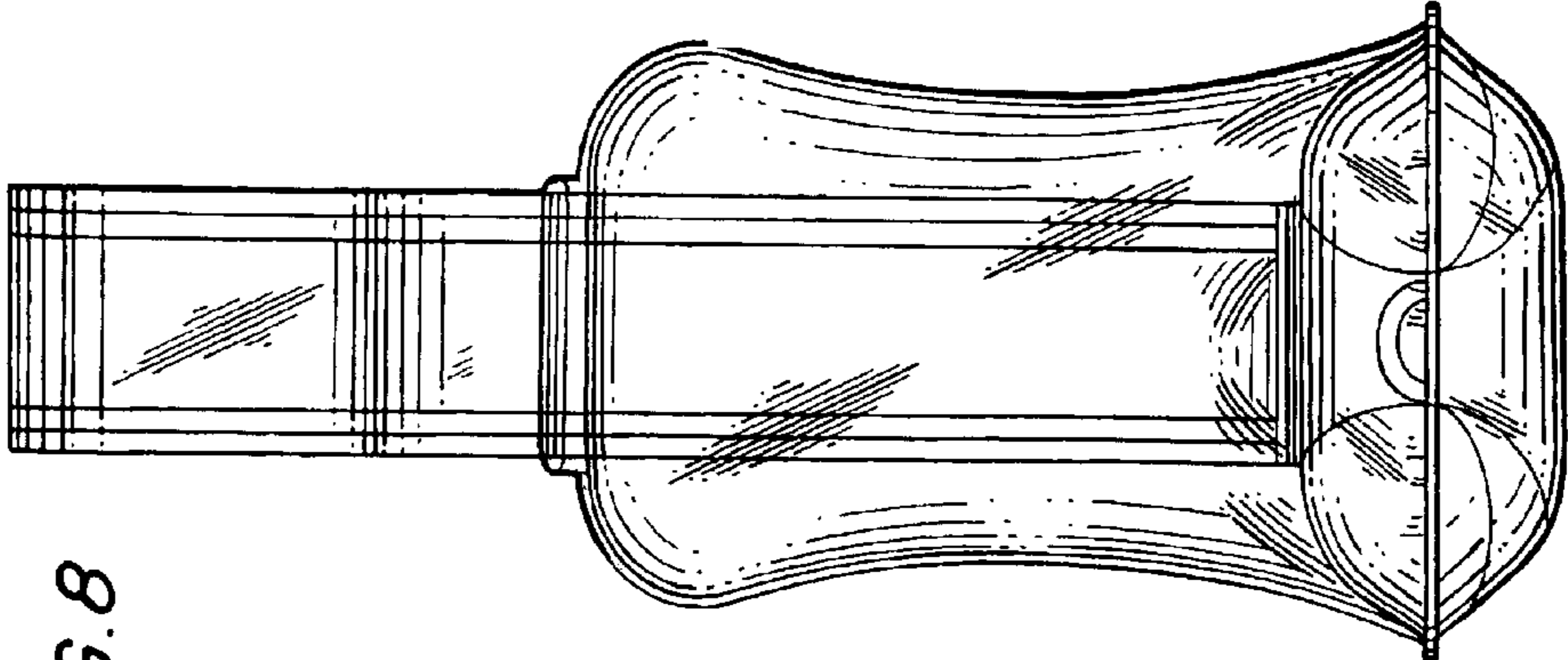


FIG. 8

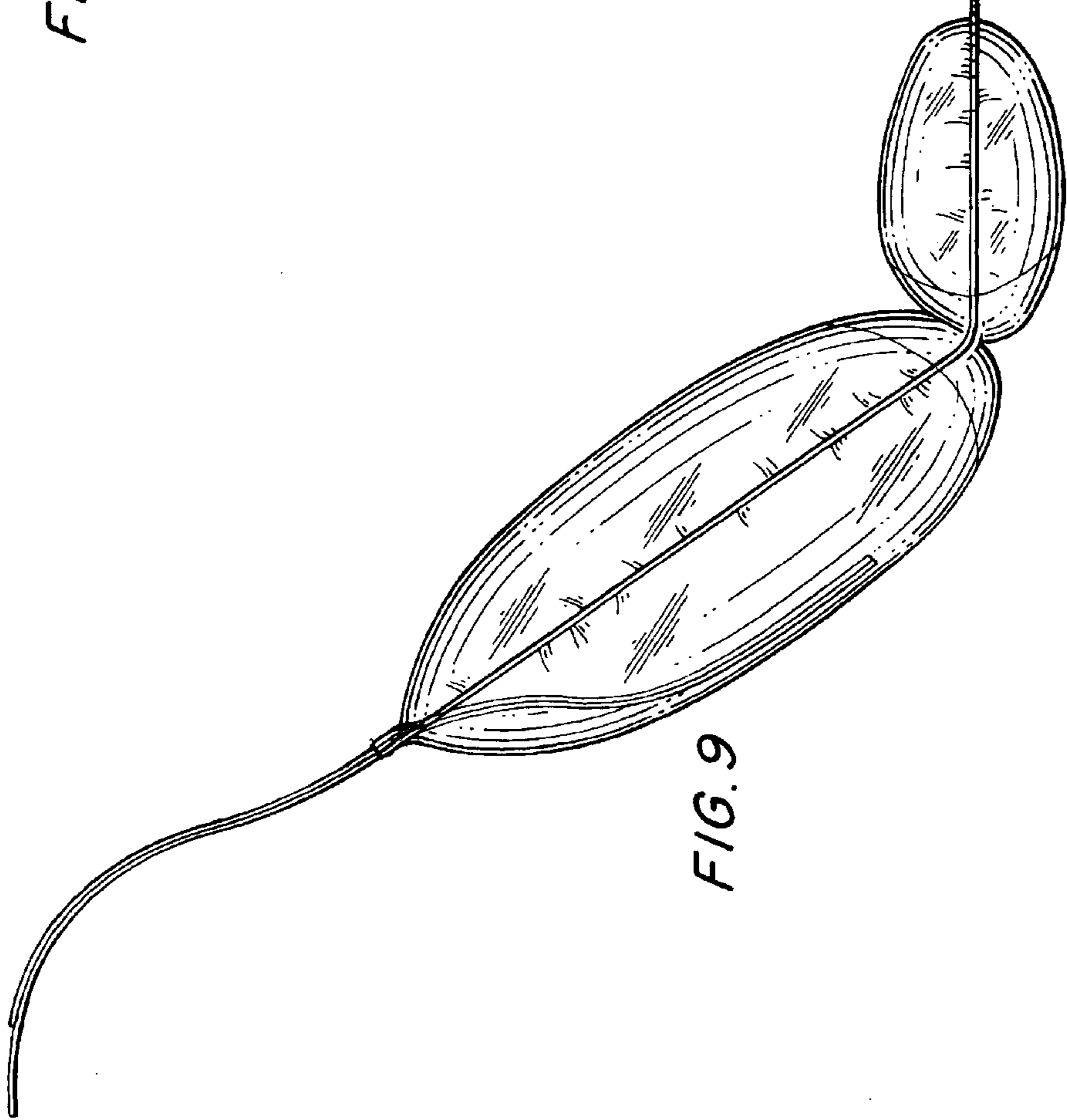


FIG. 9

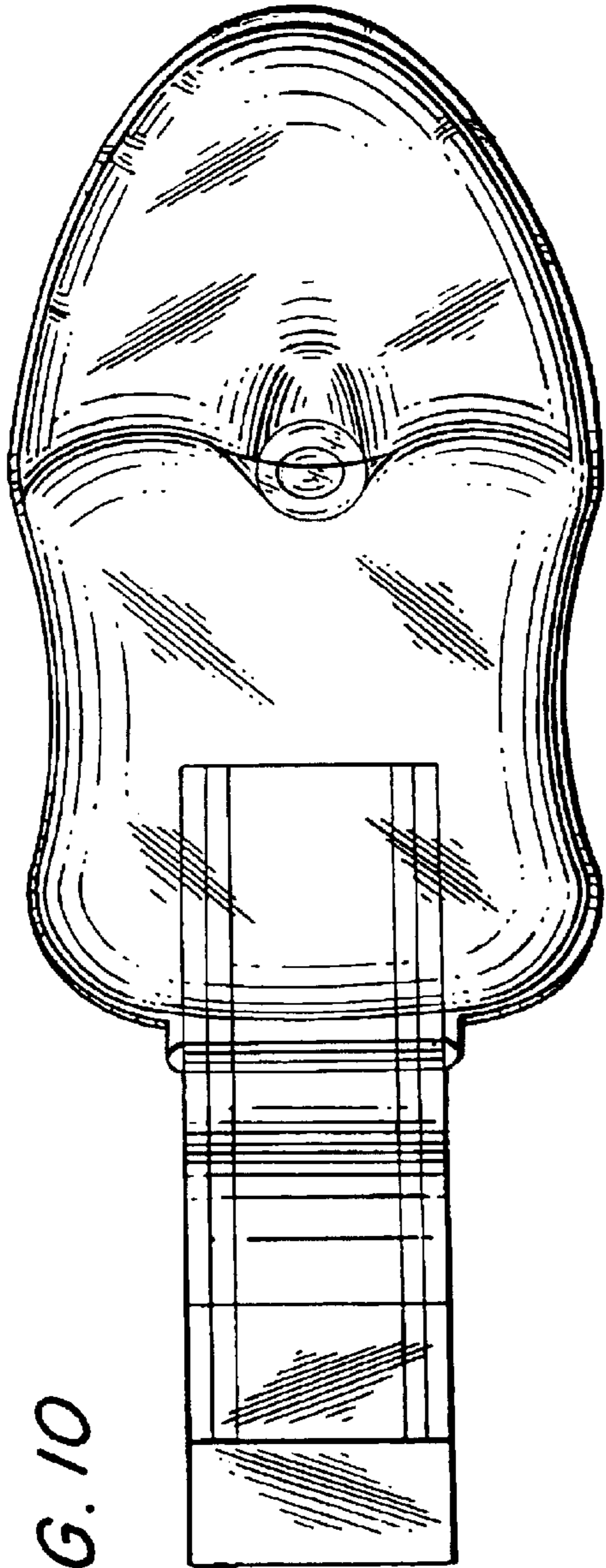


FIG. 10

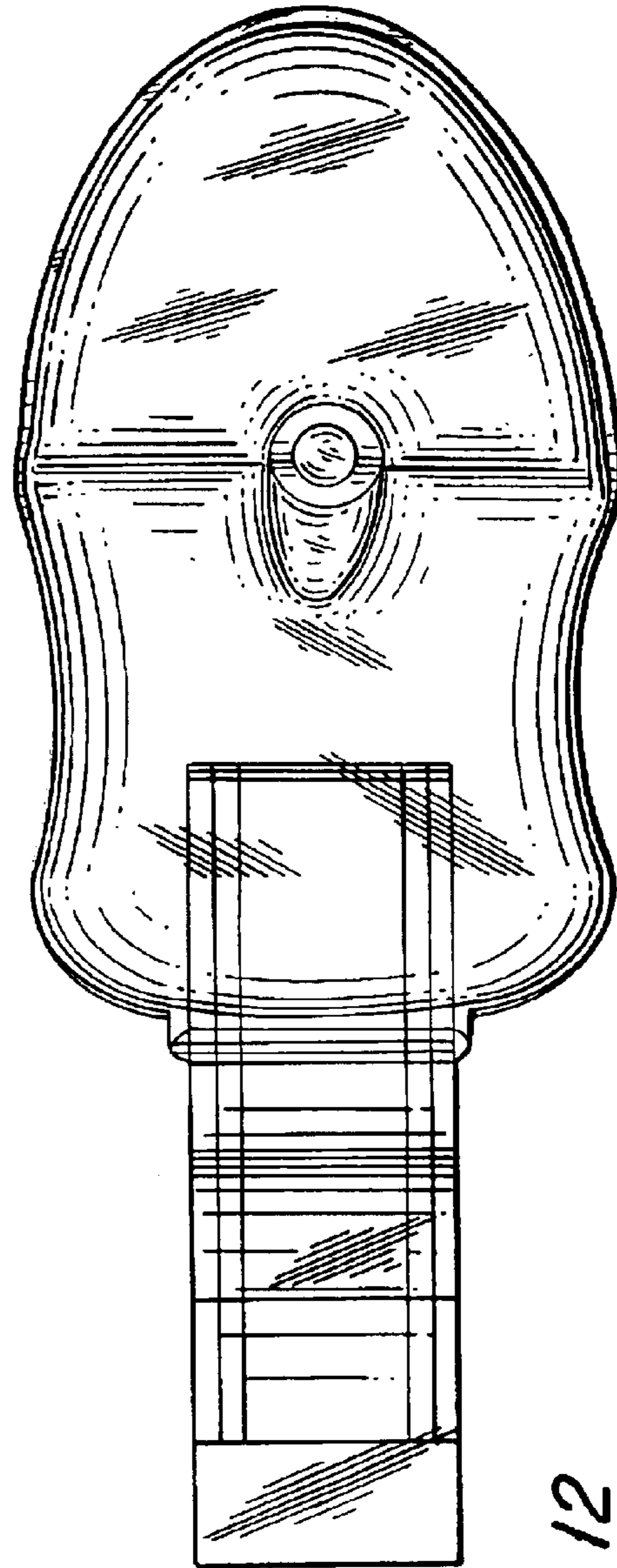


FIG. 12