



US00D514774S

(12) **United States Design Patent** (10) **Patent No.:** **US D514,774 S**
Africa et al. (45) **Date of Patent:** **** Feb. 14, 2006**

(54) **MULTICOLOR CYCLING SHORTS**

6,532,599 B1 * 3/2003 Dugan 2/228
 D503,514 S * 4/2005 Yates D2/738
 D504,553 S * 5/2005 Ota et al. D2/731

(75) Inventors: **Robert Africa**, Boulder, CO (US);
Dylan Nelson, Boulder, CO (US)

* cited by examiner

(73) Assignee: **DashAmerica Inc.**, Broomfield, CO (US)

Primary Examiner—Ian Simmons

Assistant Examiner—Melanie Levy

(**) Term: **14 Years**

(74) *Attorney, Agent, or Firm*—Holland & Hart

(21) Appl. No.: **29/212,616**

(57) **CLAIM**

(22) Filed: **Sep. 3, 2004**

The ornamental design for multicolor cycling shorts, as shown and described.

(51) **LOC (8) Cl.** **02-02**

DESCRIPTION

(52) **U.S. Cl.** **D2/731; D2/714; D2/743**

(58) **Field of Classification Search** D2/712,

D2/714, 728, 731, 733, 734, 738, 741, 742,

D2/743, 746, 988, 994; 2/22, 73, 78.1, 115,

2/228, 234, 238, 239, 400, 402–405, 912,

2/919; 450/95

See application file for complete search history.

FIG. 1 is a front view of a multicolor cycling shorts showing our new design;

FIG. 2 is a rear view thereof;

FIG. 3 is a left side view thereof, with the right side view being substantially identical thereto;

FIG. 4 is a top view thereof;

FIG. 5 is a bottom view thereof;

FIG. 6 is a front view of a cycling bib showing another embodiment of our new design;

FIG. 7 is a rear view thereof;

FIG. 8 is a left side view thereof, with the right side view being identical thereto;

FIG. 9 is a top view thereof; and,

FIG. 10 is a bottom view thereof.

The drawings are lined for color.

(56) **References Cited**

U.S. PATENT DOCUMENTS

D339,902 S * 10/1993 Doherty D2/738

D404,889 S * 2/1999 Fujii et al. D2/742

D412,610 S * 8/1999 Fujii et al. D2/738

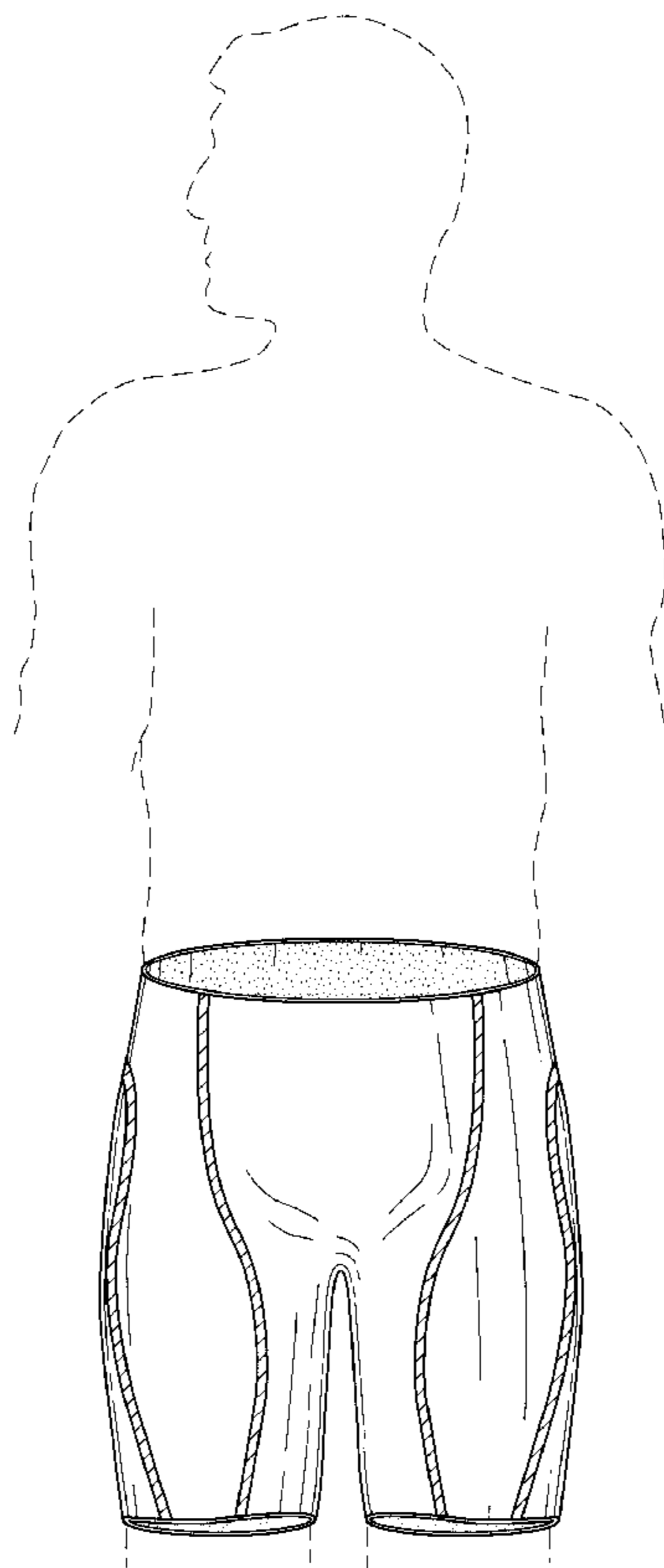
D412,772 S * 8/1999 Fujii et al. D2/738

D424,280 S * 5/2000 Fujii et al. D2/731

D427,750 S * 7/2000 Fujii et al. D2/731

RE36,905 E * 10/2000 Noble et al. 2/400

1 Claim, 6 Drawing Sheets



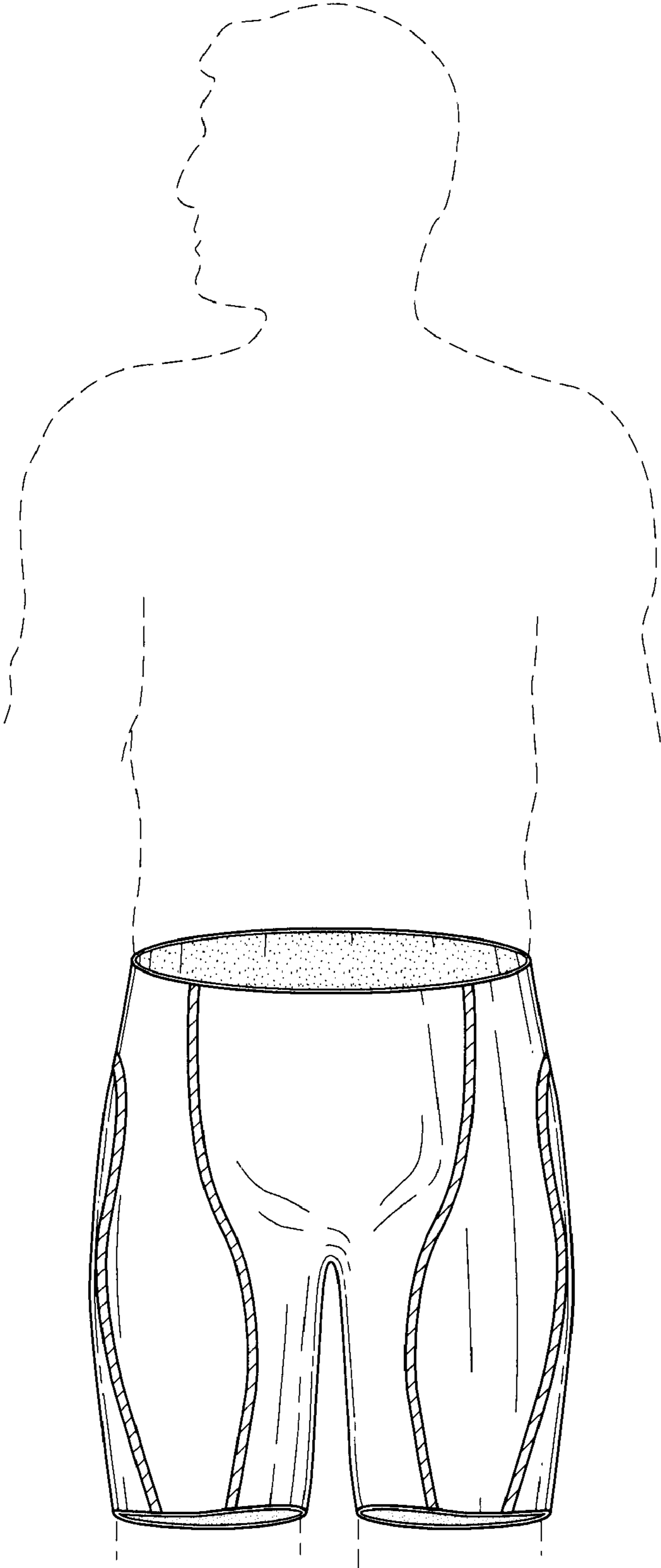


FIG.1

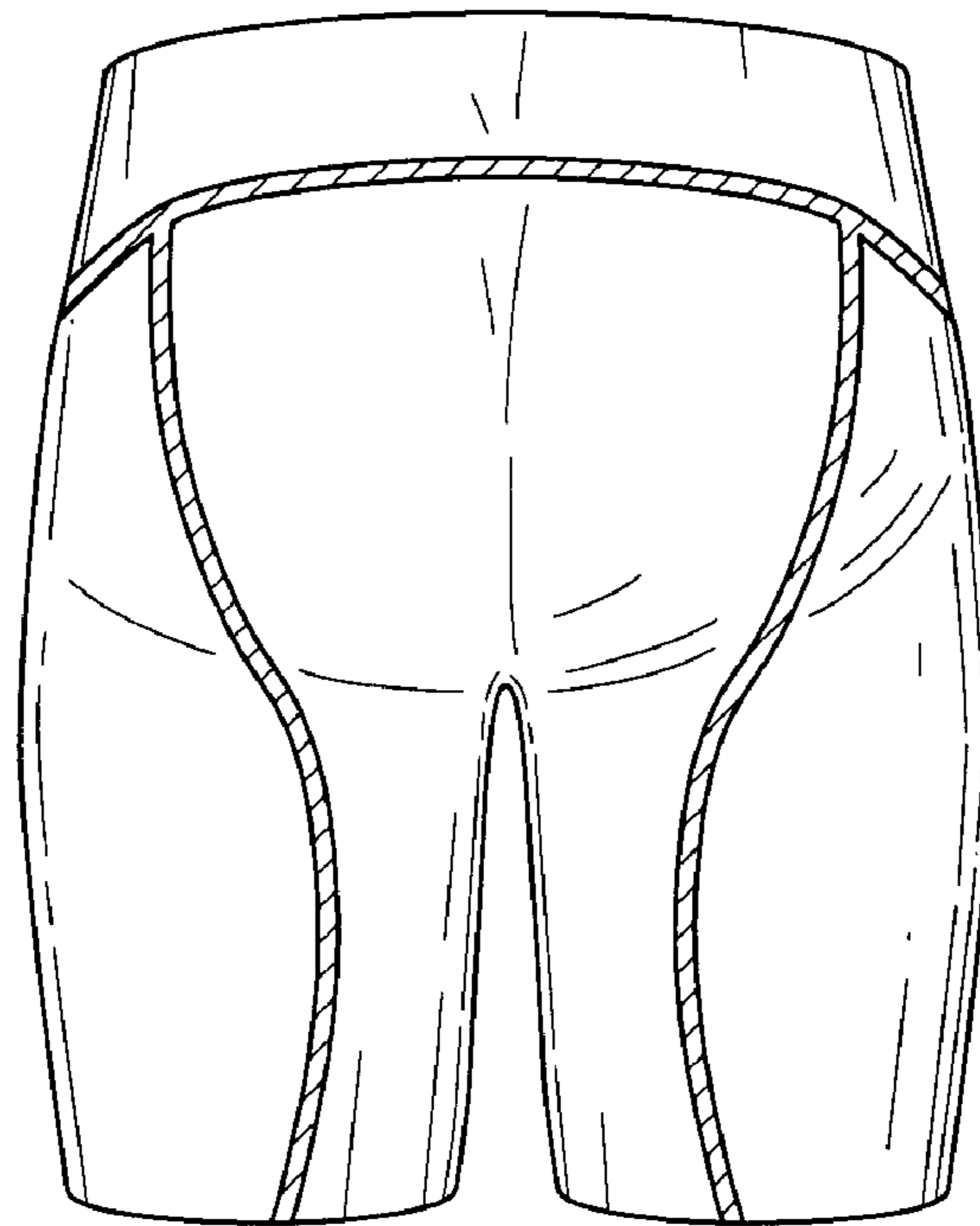


FIG. 2

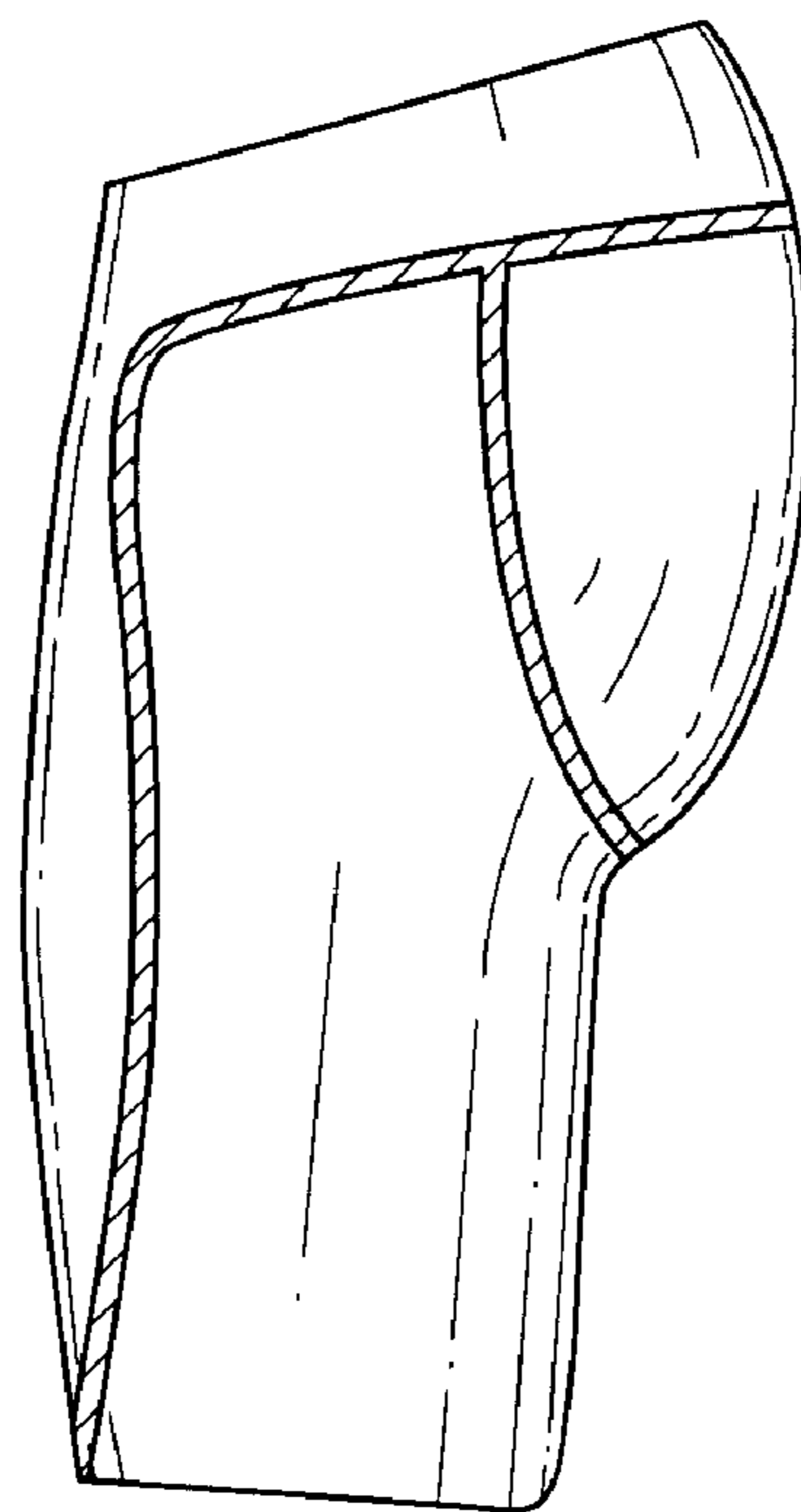


FIG. 3

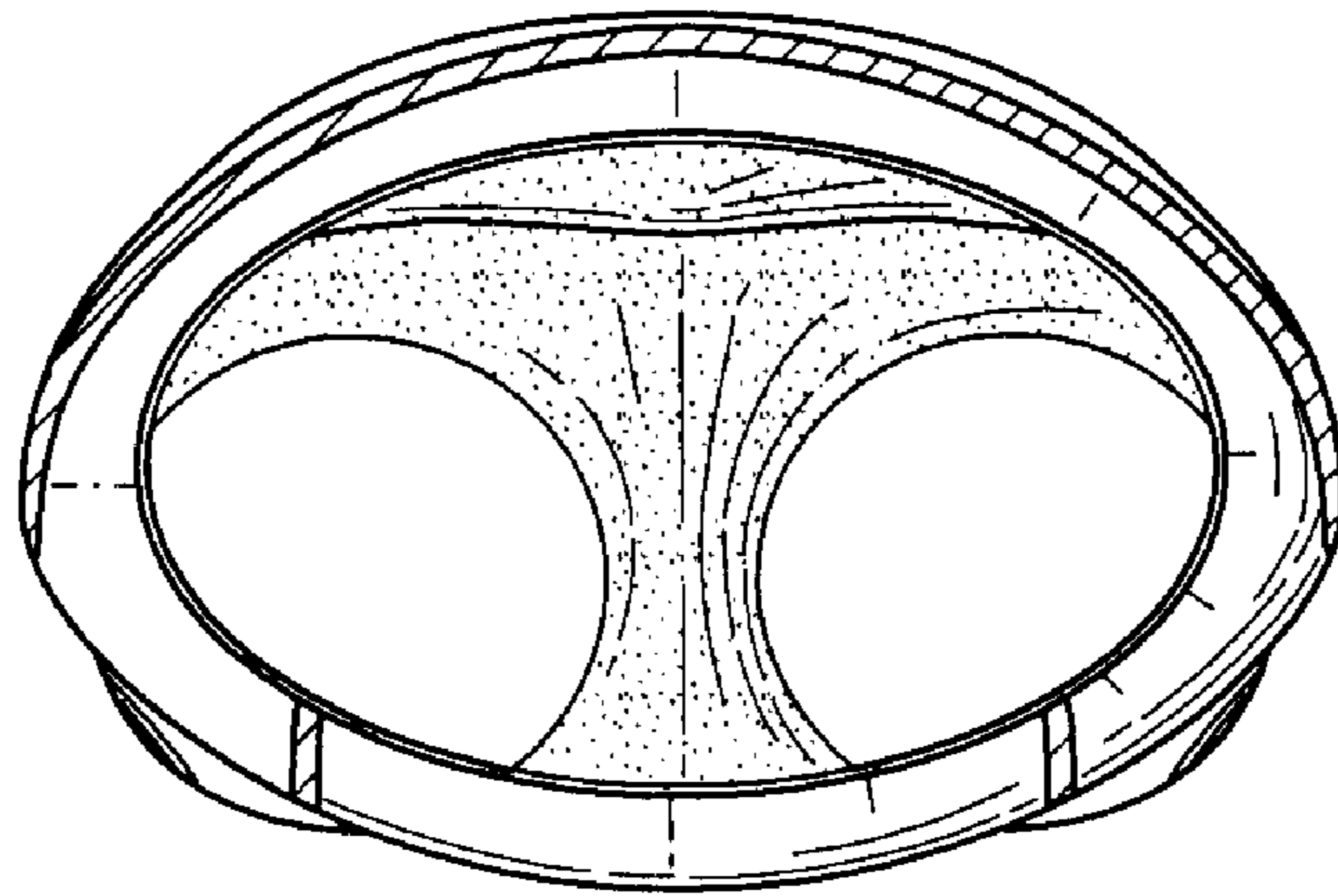


FIG. 4

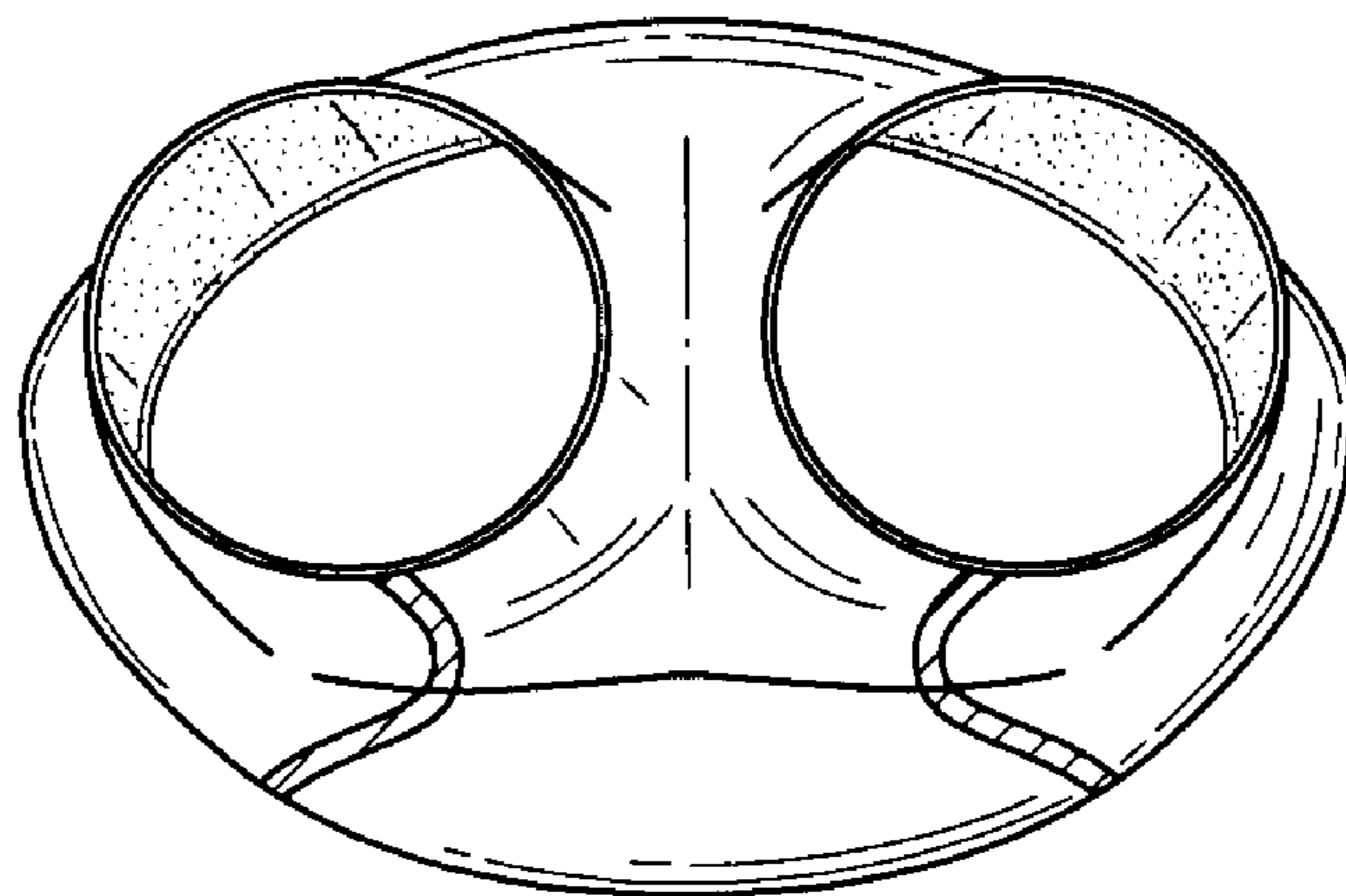


FIG. 5

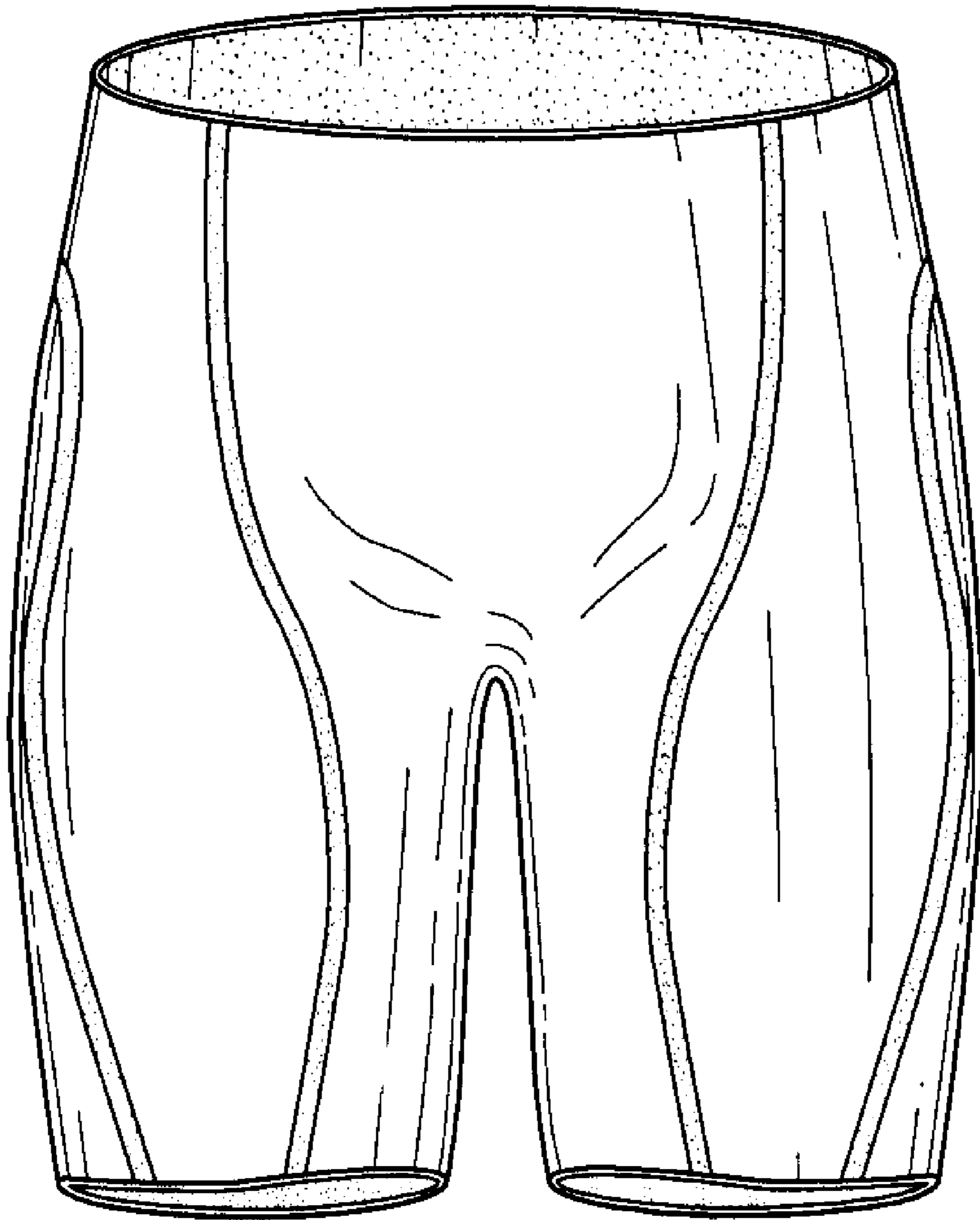


FIG.6

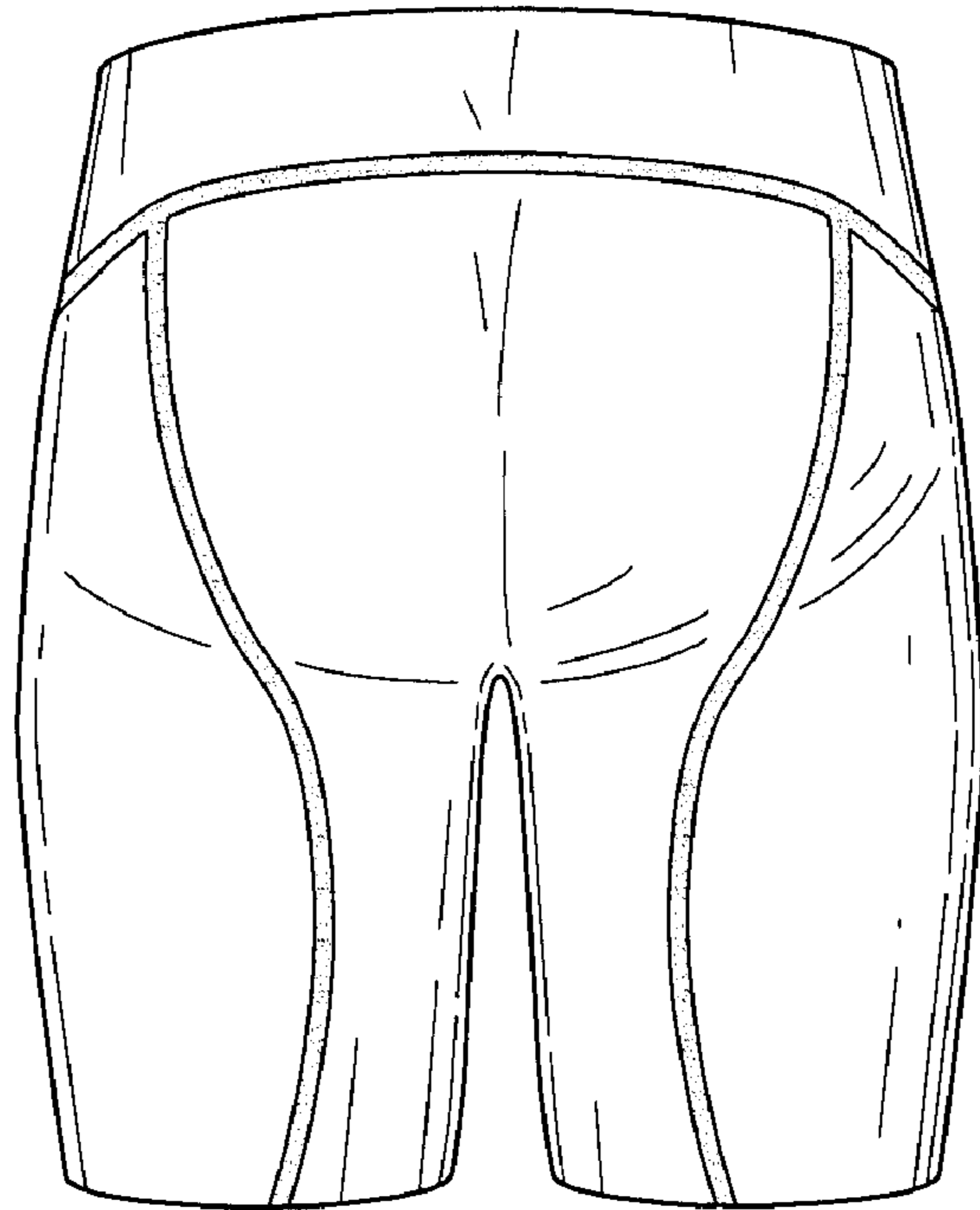


FIG.7

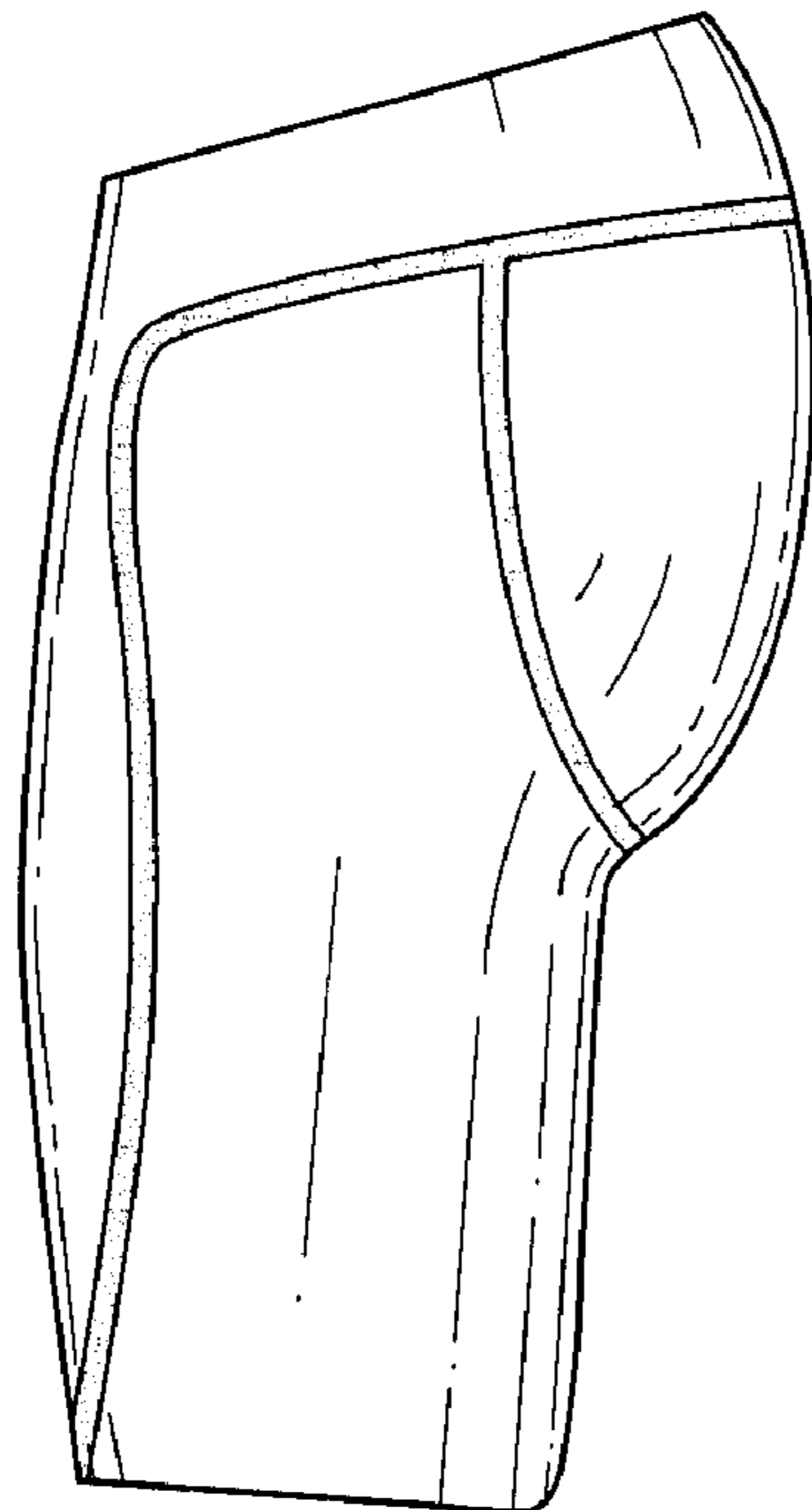


FIG.8

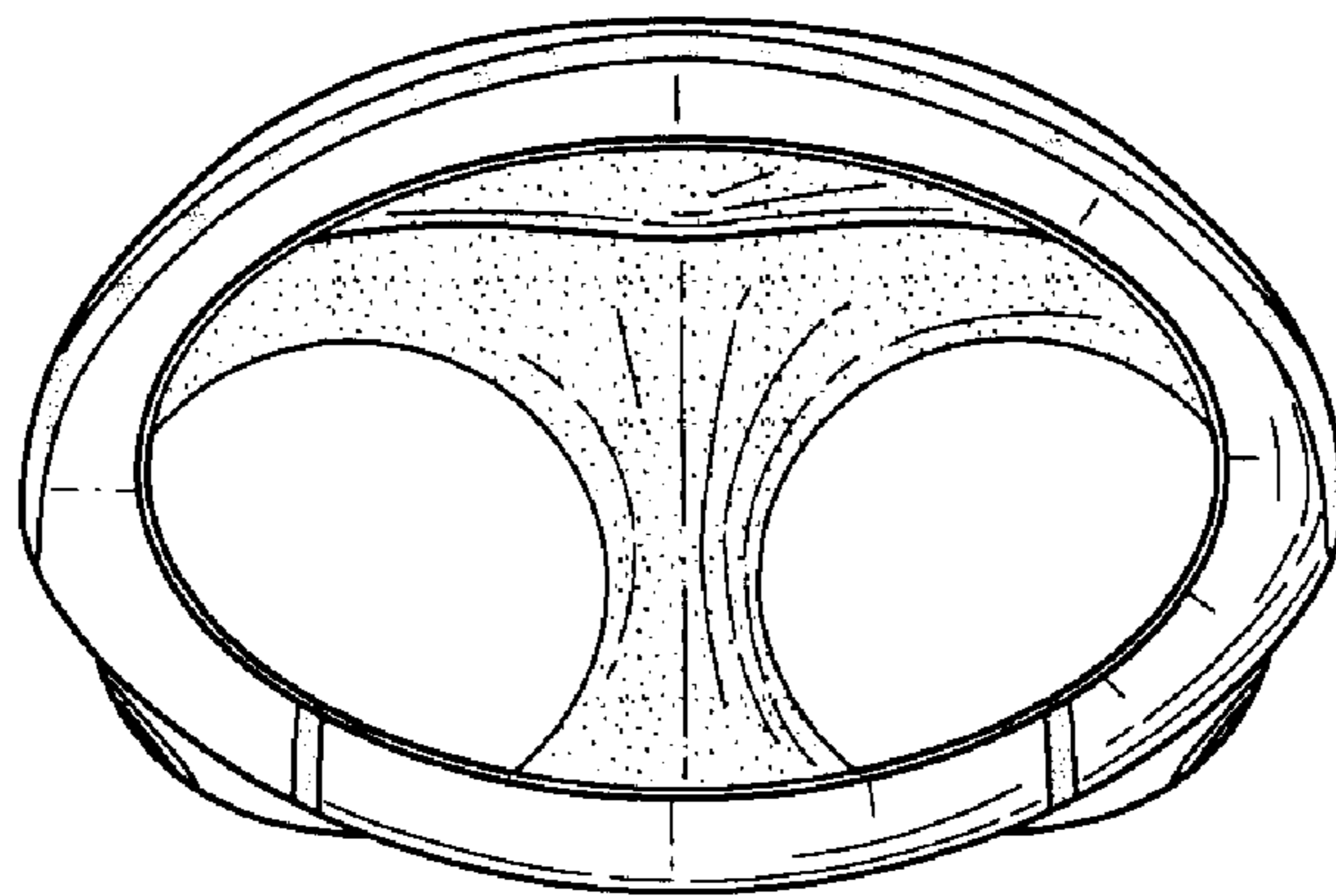


FIG. 9

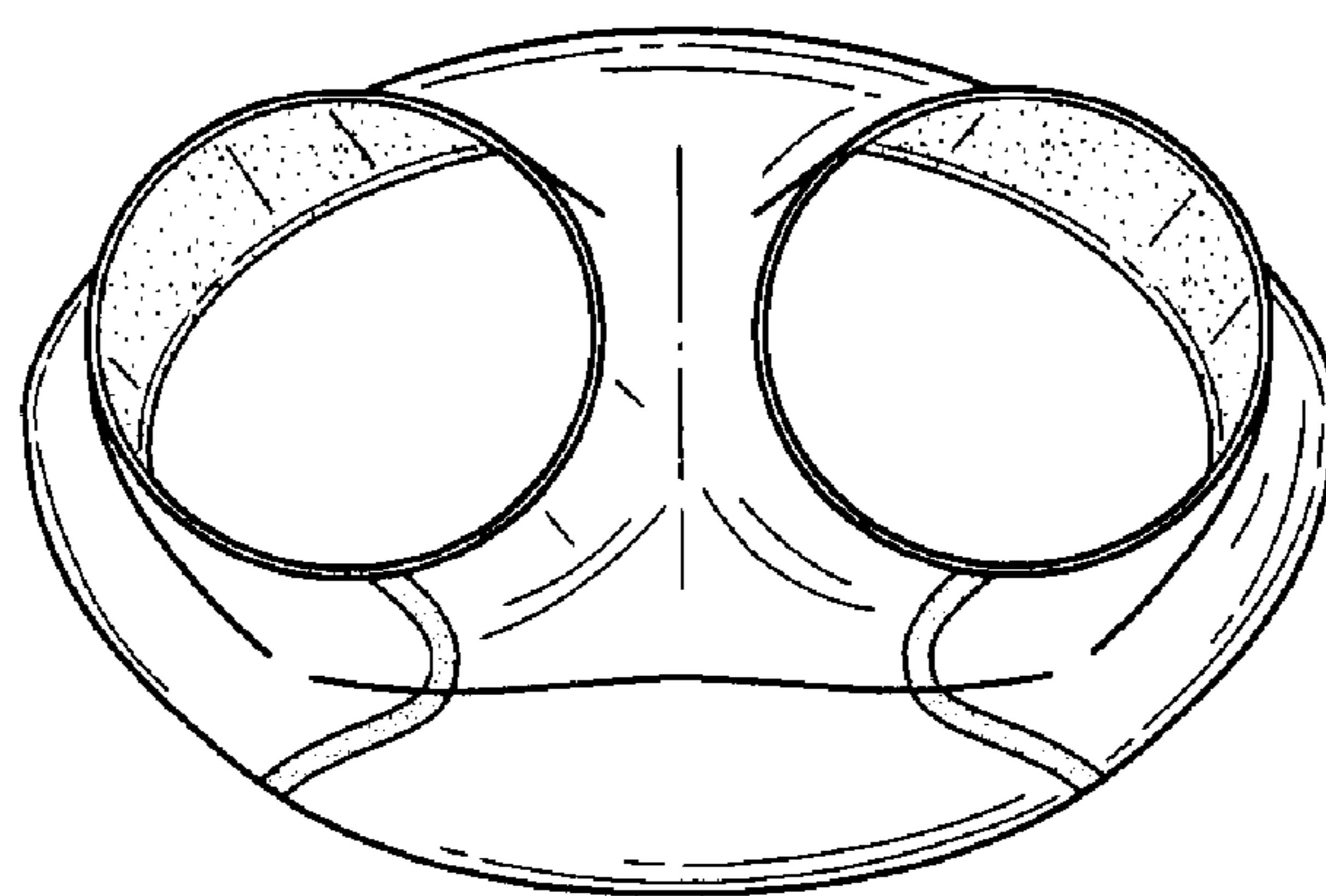


FIG. 10