



US00D514770S

(12) **United States Design Patent**  
**Henderson et al.**

(10) **Patent No.:** **US D514,770 S**

(45) **Date of Patent:** **\*\* Feb. 7, 2006**

(54) **COIN BANK**

(75) Inventors: **Scott Allan Henderson**, Brooklyn, NY (US); **Alberto Mantilla**, Rego Park, NY (US); **Anthony Baxter**, Hoboken, NJ (US)

(73) Assignee: **Mint, Inc.**, New York, NY (US)

(\*\*) **Term:** **14 Years**

(21) Appl. No.: **29/223,451**

(22) Filed: **Feb. 15, 2005**

(51) **LOC (8) Cl.** ..... **99-00**

(52) **U.S. Cl.** ..... **D99/40**

(58) **Field of Classification Search** ..... D99/34, D99/35, 36, 38, 40; 446/8, 9, 10, 11-13, 446/320, 901; D21/584, 654; D9/607; 222/78, 222/192, 212; 232/4 R, 15-16, 43.6; 453/43; D11/158

See application file for complete search history.

(56) **References Cited**

**U.S. PATENT DOCUMENTS**

D73,593 S \* 10/1927 Witten ..... D21/654  
2,804,718 A \* 9/1957 Follis et al. .... 446/9

D217,174 S \* 4/1970 Northup ..... D99/40  
D221,006 S \* 6/1971 Tavala ..... D99/40  
D289,218 S \* 4/1987 Divnick ..... D99/34  
4,756,406 A \* 7/1988 Grounds ..... 206/0.8  
D302,942 S \* 8/1989 Ferrero ..... D9/607  
D303,035 S \* 8/1989 O'Dunlaing ..... D99/40  
5,134,434 A \* 7/1992 Inoue et al. .... 396/168  
5,135,421 A \* 8/1992 Morris ..... 446/8  
5,921,296 A \* 7/1999 Porter et al. .... 141/340  
D458,727 S \* 6/2002 Beacham ..... D99/38

\* cited by examiner

*Primary Examiner*—Paula A. Greene

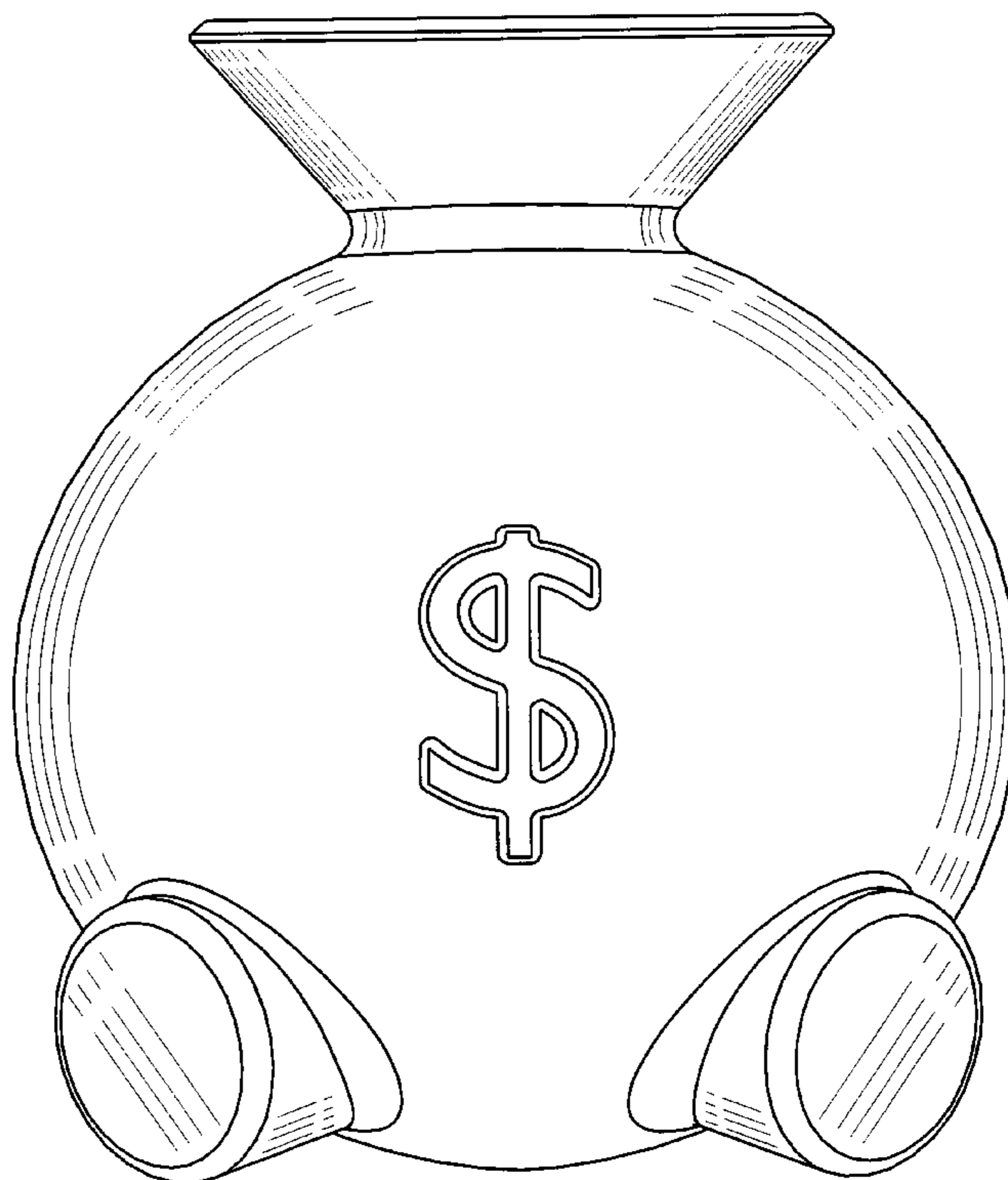
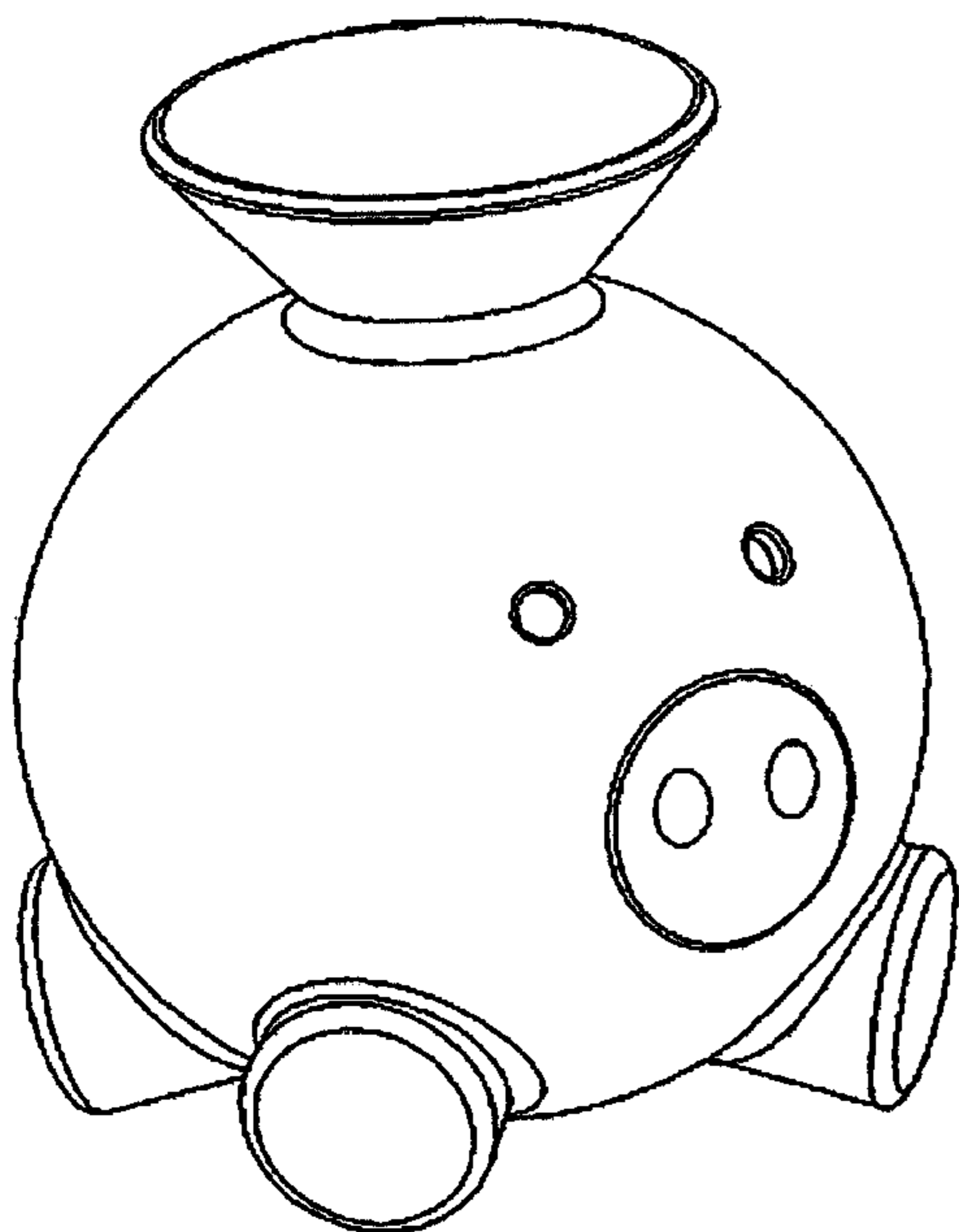
(57) **CLAIM**

The ornamental design for a coin bank, as shown and described.

**DESCRIPTION**

FIG. 1: is a perspective view showing the new design  
FIG. 2: is a right side view thereof;  
FIG. 3: is a left side view thereof;  
FIG. 4: is a front side view thereof;  
FIG. 5: is a rear view thereof;  
FIG. 6: is a top view thereof; and,  
FIG. 7: is a bottom view thereof.

**1 Claim, 6 Drawing Sheets**



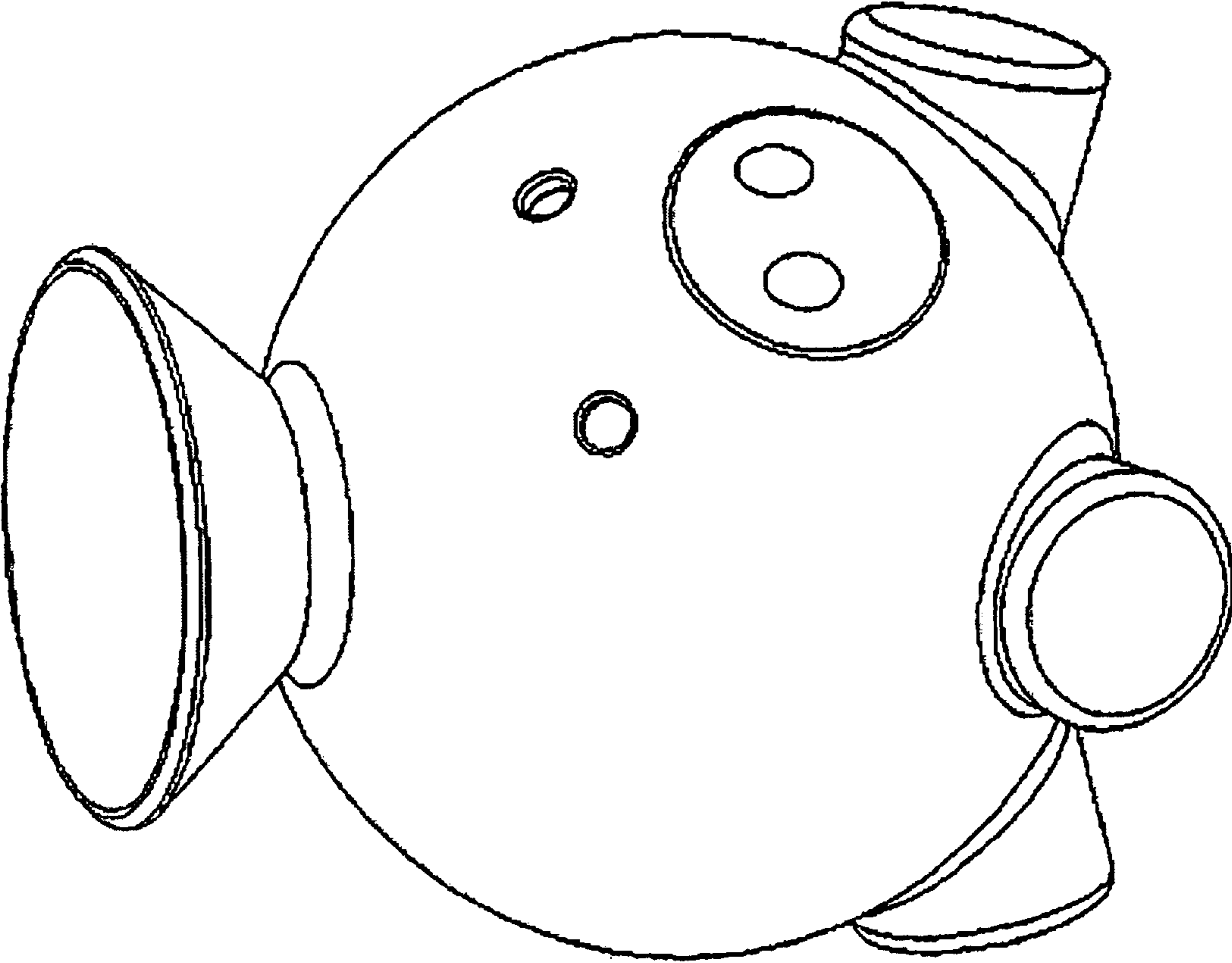


FIG. 1

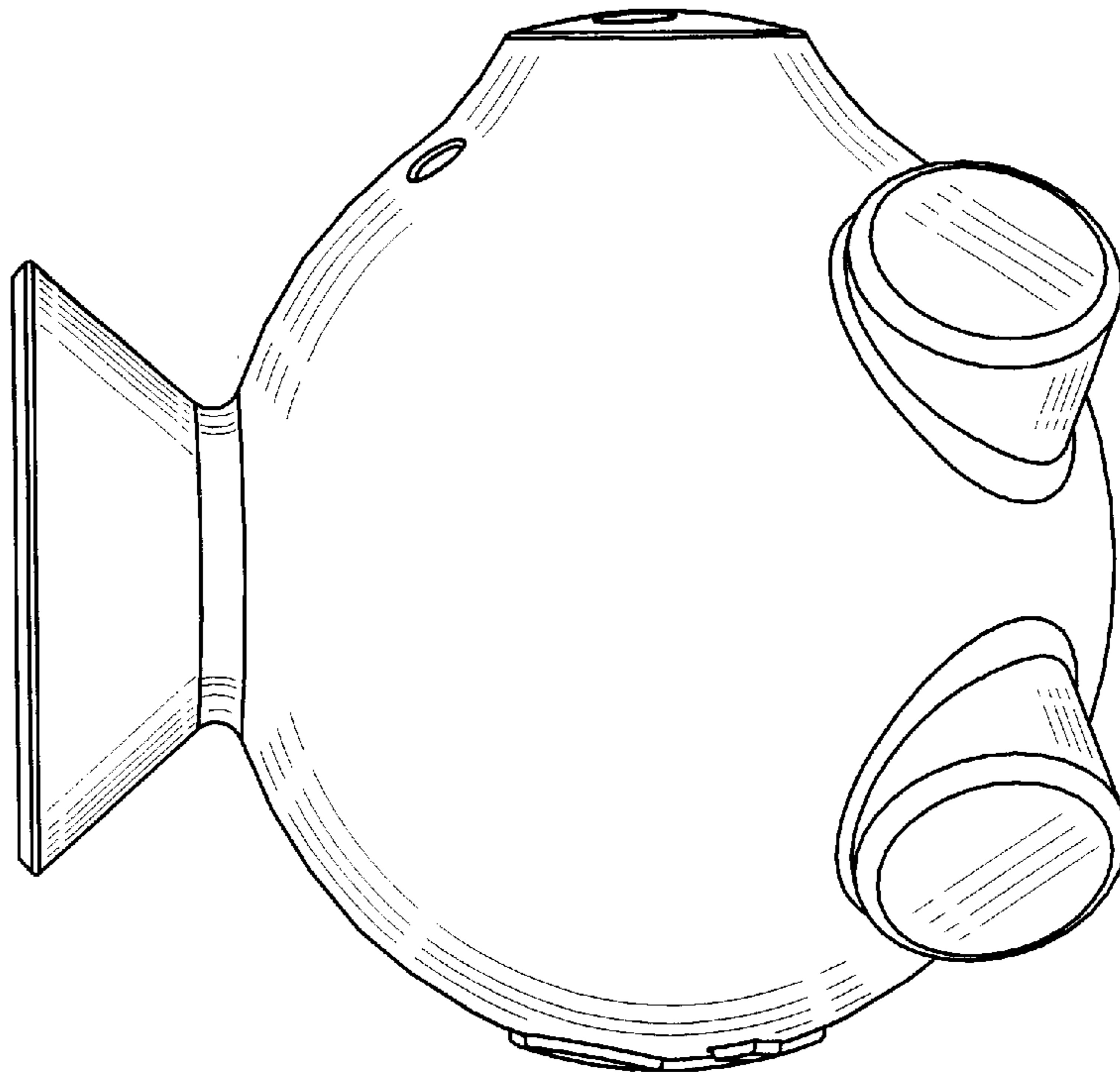


FIG. 3

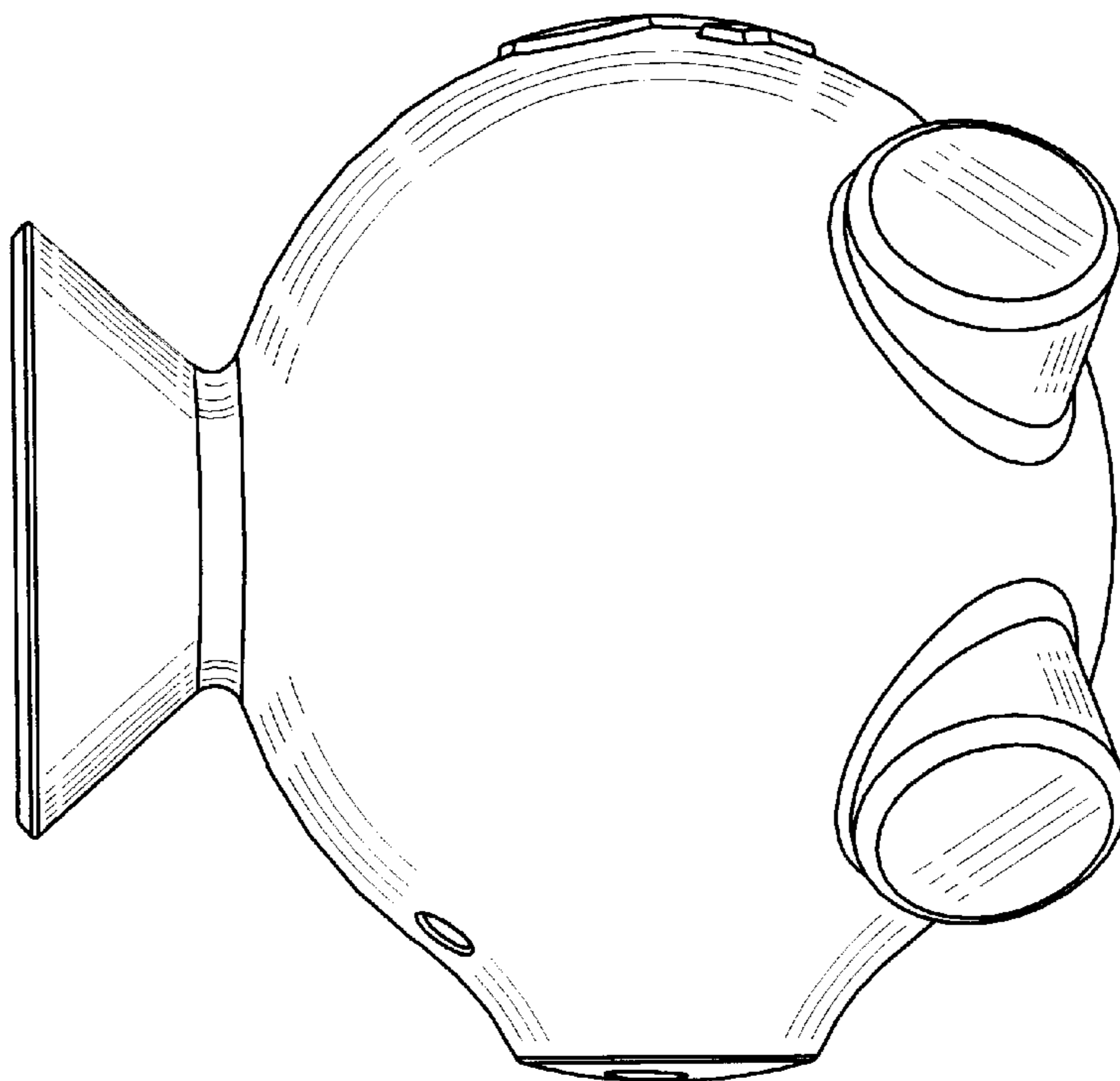


FIG. 2

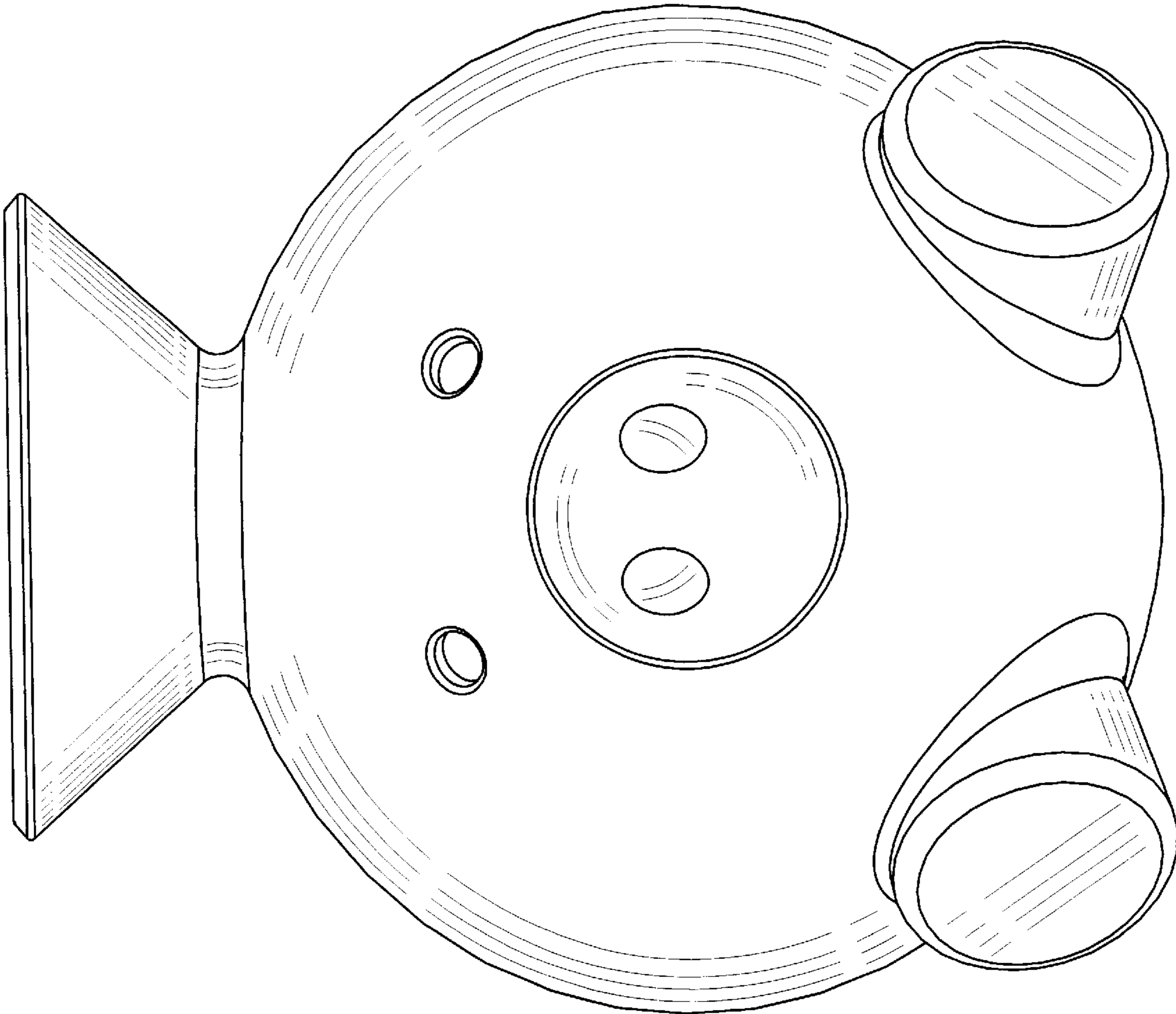


FIG. 4

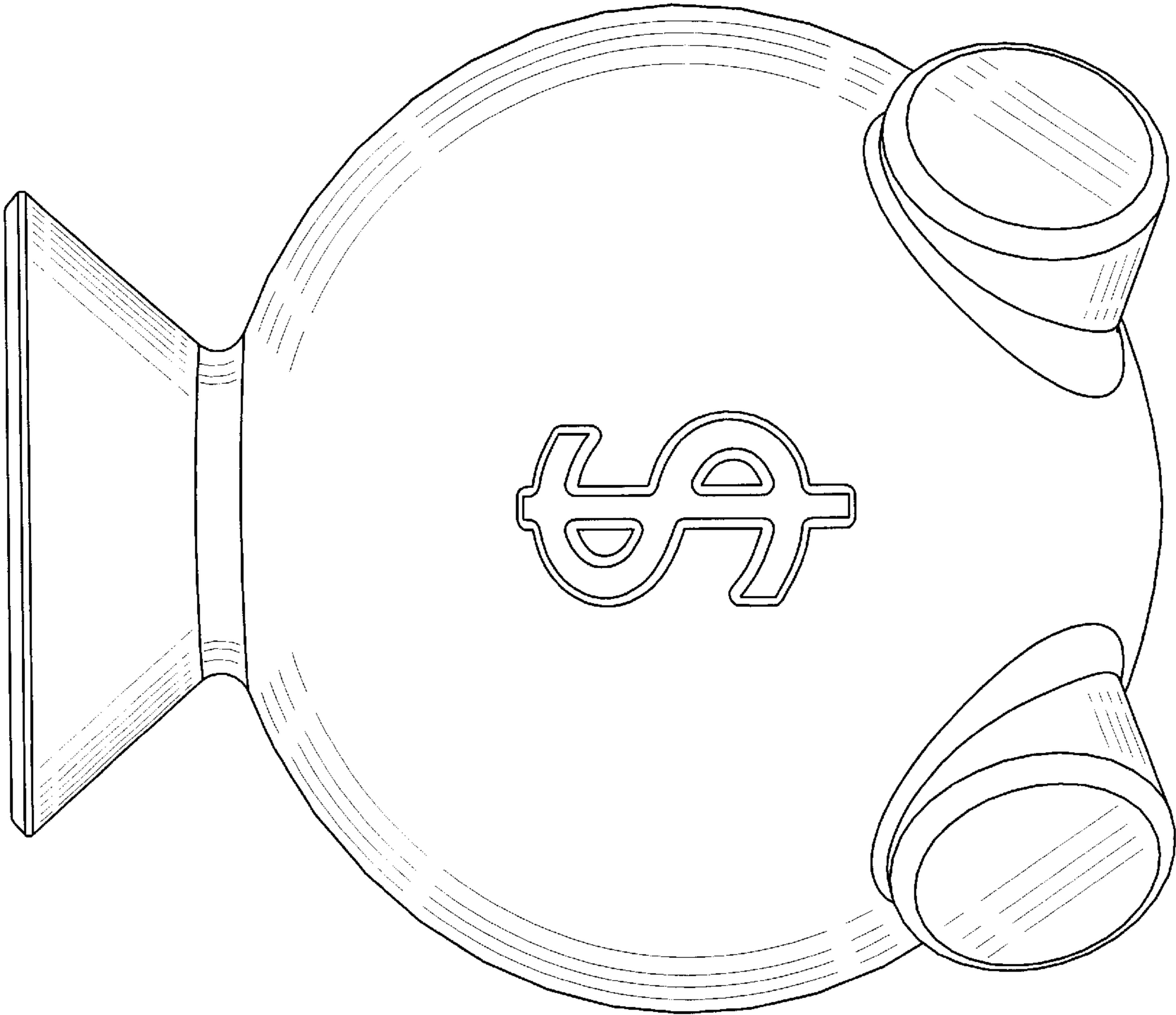


FIG. 5

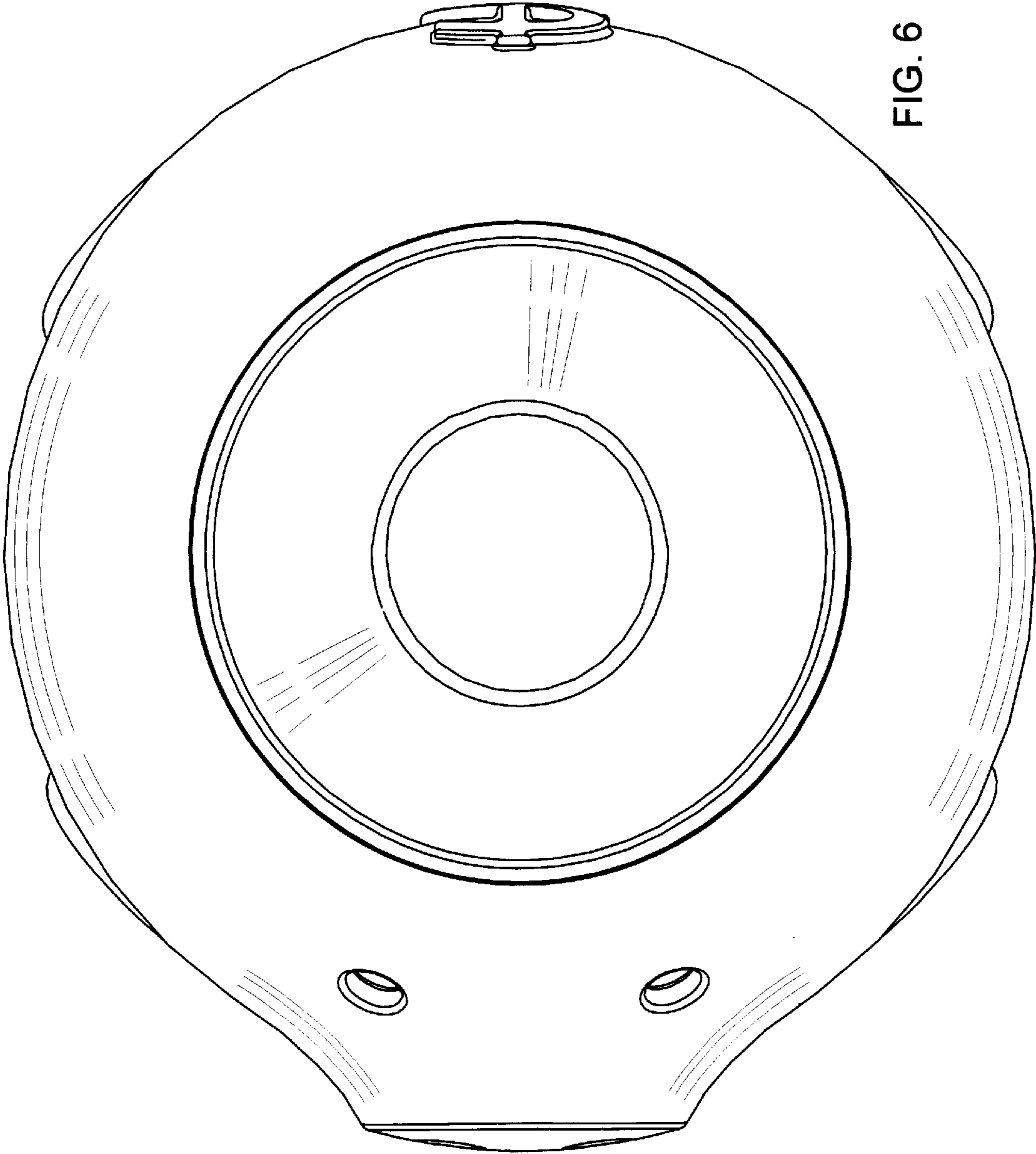


FIG. 6

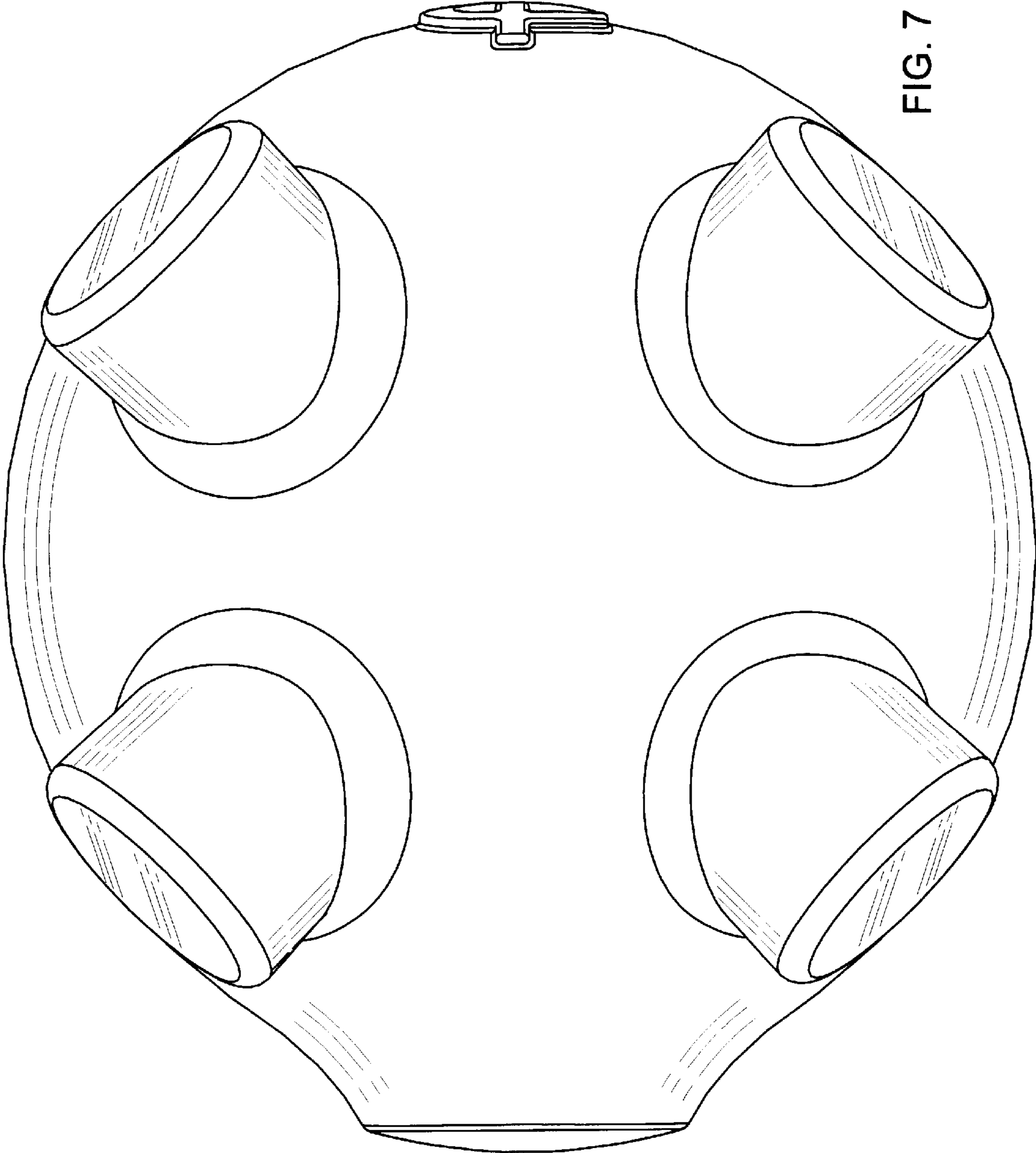


FIG. 7