



US00D514769S

(12) **United States Design Patent** (10) **Patent No.:** **US D514,769 S**
Formigoni et al. (45) **Date of Patent:** **** Feb. 7, 2006**

(54) **CONVEYOR YOKE**

D479,638 S * 9/2003 Didion D34/38
6,685,008 B2 * 2/2004 Schiesser et al. 198/782

(76) Inventors: **Jonathan E. Formigoni**, 438 Galla
Creek La., Pottsville, AR (US)
72858-8917; **William J. Nahlen**, 1712
S. Dayton Ave., Russellville, AR (US)
72802

* cited by examiner

Primary Examiner—Cynthia E. Ramirez
(74) *Attorney, Agent, or Firm*—Cook, Alex, McFarron,
Manzo, Cummings & Mehler, Ltd.; Edward D. Manzo

(**) **Term:** **14 Years**

(57) **CLAIM**

(21) **Appl. No.:** **29/215,877**

The ornamental design for a conveyor yoke, as shown and described.

(22) **Filed:** **Oct. 26, 2004**

DESCRIPTION

Related U.S. Application Data

(63) Continuation of application No. 10/950,763, filed on Sep. 27, 2004.

FIG. 1 is a perspective view of a conveyor yoke according to our new design;

(51) **LOC (8) Cl.** **12-05**

(52) **U.S. Cl.** **D34/35**

FIG. 2 is a front elevational view of the conveyor yoke shown in FIG. 1, a rear elevational view being a mirror image of the front elevational view;

(58) **Field of Classification Search** D34/29,
D34/35; D8/499; 198/771, 866, 890, 367,
198/890.1, 370.01, 785, 370.04, 782; 193/35 A,
193/35 C

FIG. 3 is a left side elevational view of the conveyor yoke shown in FIG. 1, the right side elevational view being a mirror image of the left side elevational view;

See application file for complete search history.

FIG. 4 is a top plan view of the conveyor yoke shown in FIG. 1, a bottom plan view not being shown as it is devoid of ornamentation;

(56) **References Cited**

U.S. PATENT DOCUMENTS

2,591,929	A	*	4/1952	Granath	198/771
D208,803	S	*	10/1967	Knowles	D34/29
5,119,926	A		6/1992	Draebel et al.		
D340,564	S	*	10/1993	Ledingham	D34/29
5,454,466	A	*	10/1995	Galarowic	198/751
D371,666	S		7/1996	Kubsik et al.		
5,657,854	A	*	8/1997	Chen et al.	198/787
5,749,454	A	*	5/1998	Layne	198/464.4
D398,729	S		9/1998	Hovsto et al.		
D402,781	S		12/1998	Helmetsie et al.		
D407,174	S	*	3/1999	Baker	D34/29
D411,363	S	*	6/1999	Black et al.	D34/29
5,921,370	A	*	7/1999	Plesh, Sr.	193/35 R

FIG. 5 is a perspective view of a second embodiment of the conveyor yoke;

FIG. 6 is a front elevational view of the conveyor yoke shown in FIG. 5, a rear elevational view being a mirror image of the front elevational view;

FIG. 7 is a left side elevational view of the conveyor yoke shown in FIG. 5, a right side elevational view being a mirror image of the left side elevational view; and,

FIG. 8 is a top plan view of the conveyor yoke shown in FIG. 5, a bottom plan view not being shown as it is devoid of ornamentation.

The broken lines in FIGS. 1–8 are for illustrative purposes only and form no part of the claimed design.

1 Claim, 2 Drawing Sheets

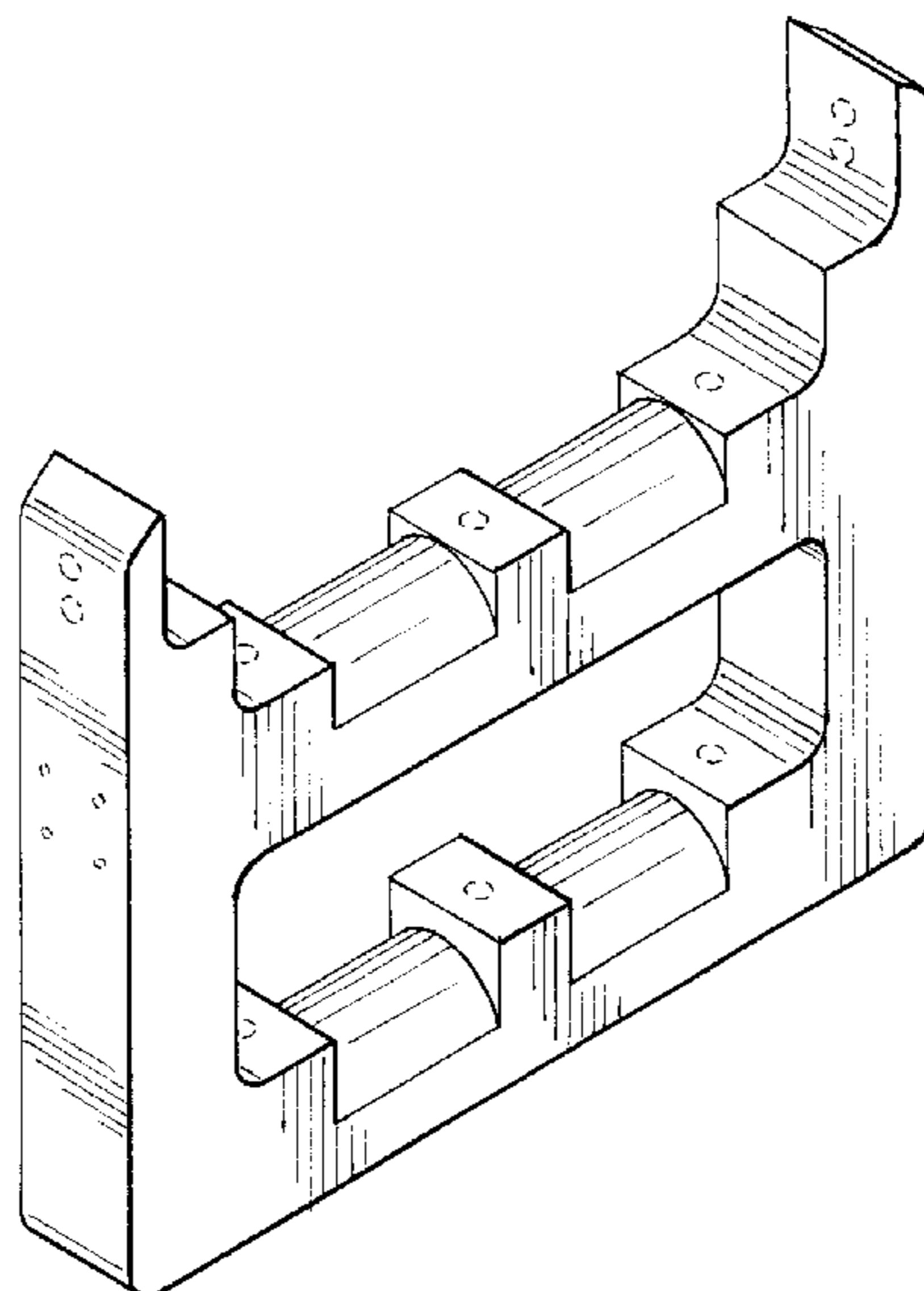


FIG.1

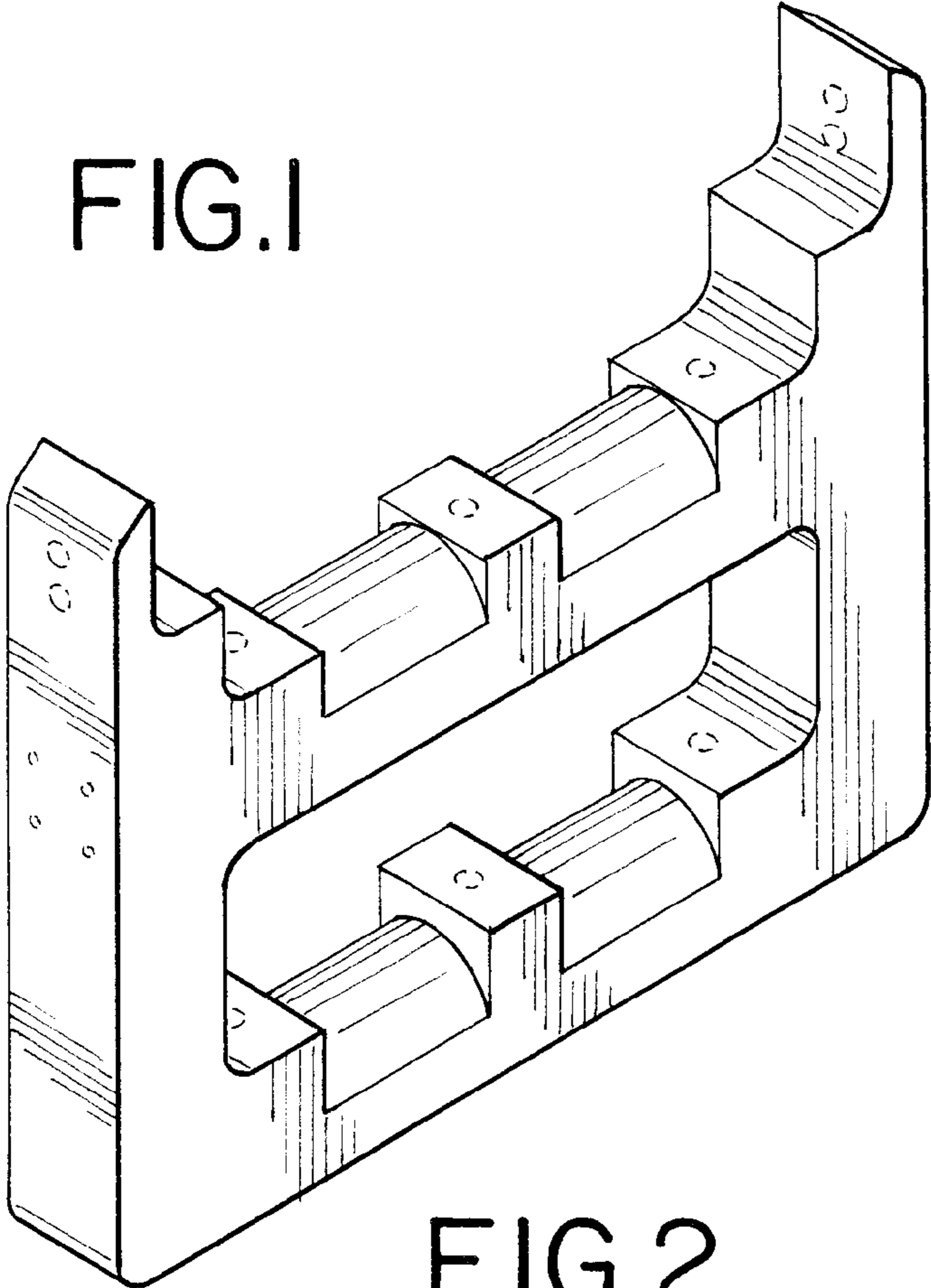


FIG.2

FIG.3

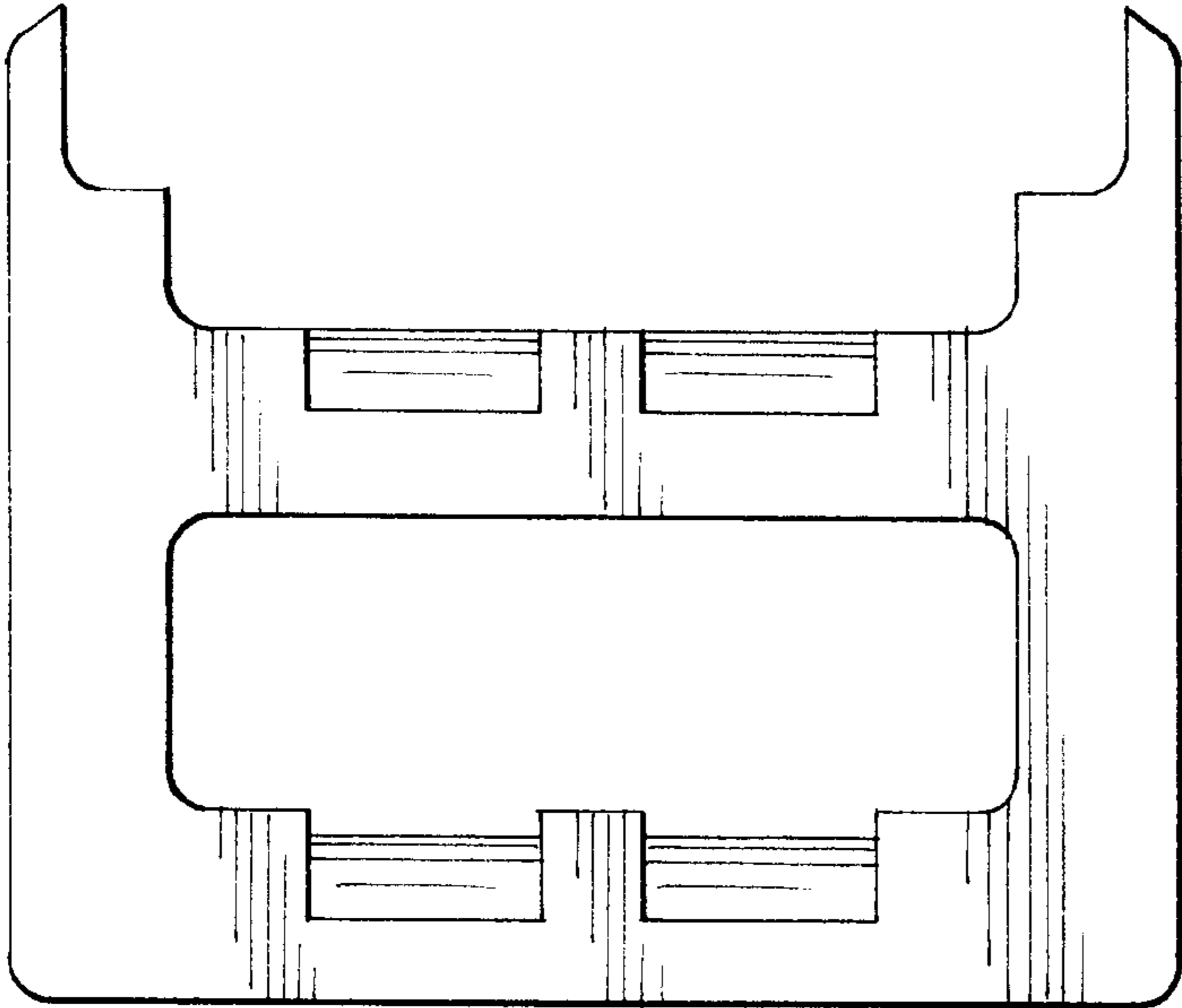


FIG.4

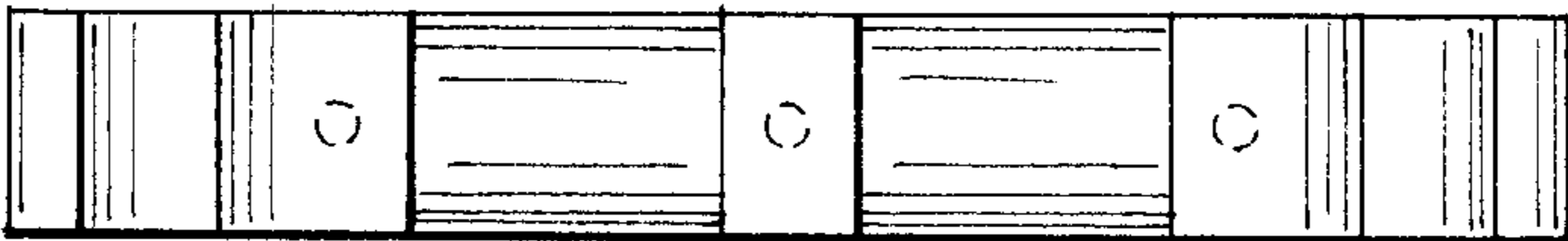


FIG.5

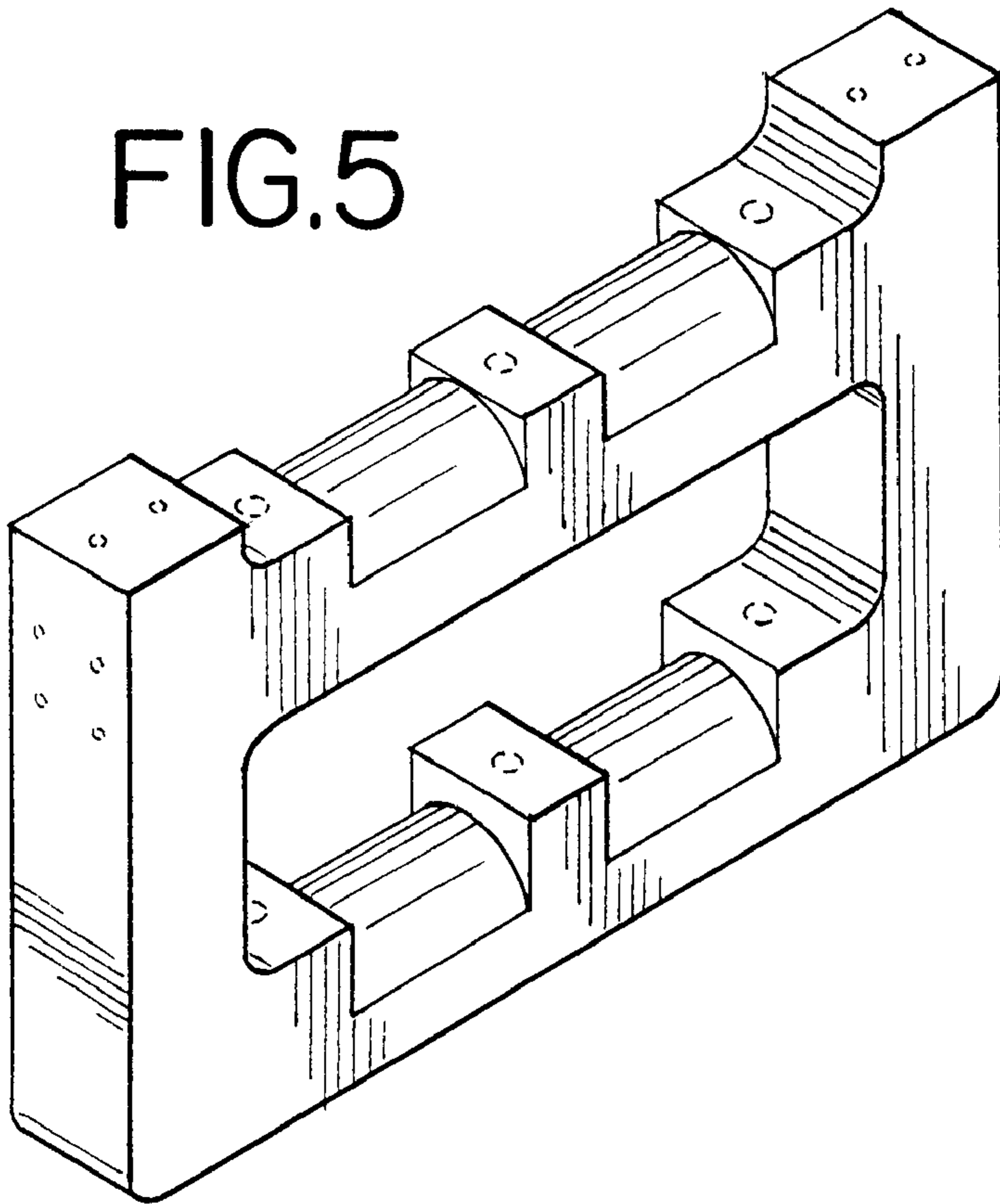


FIG.6

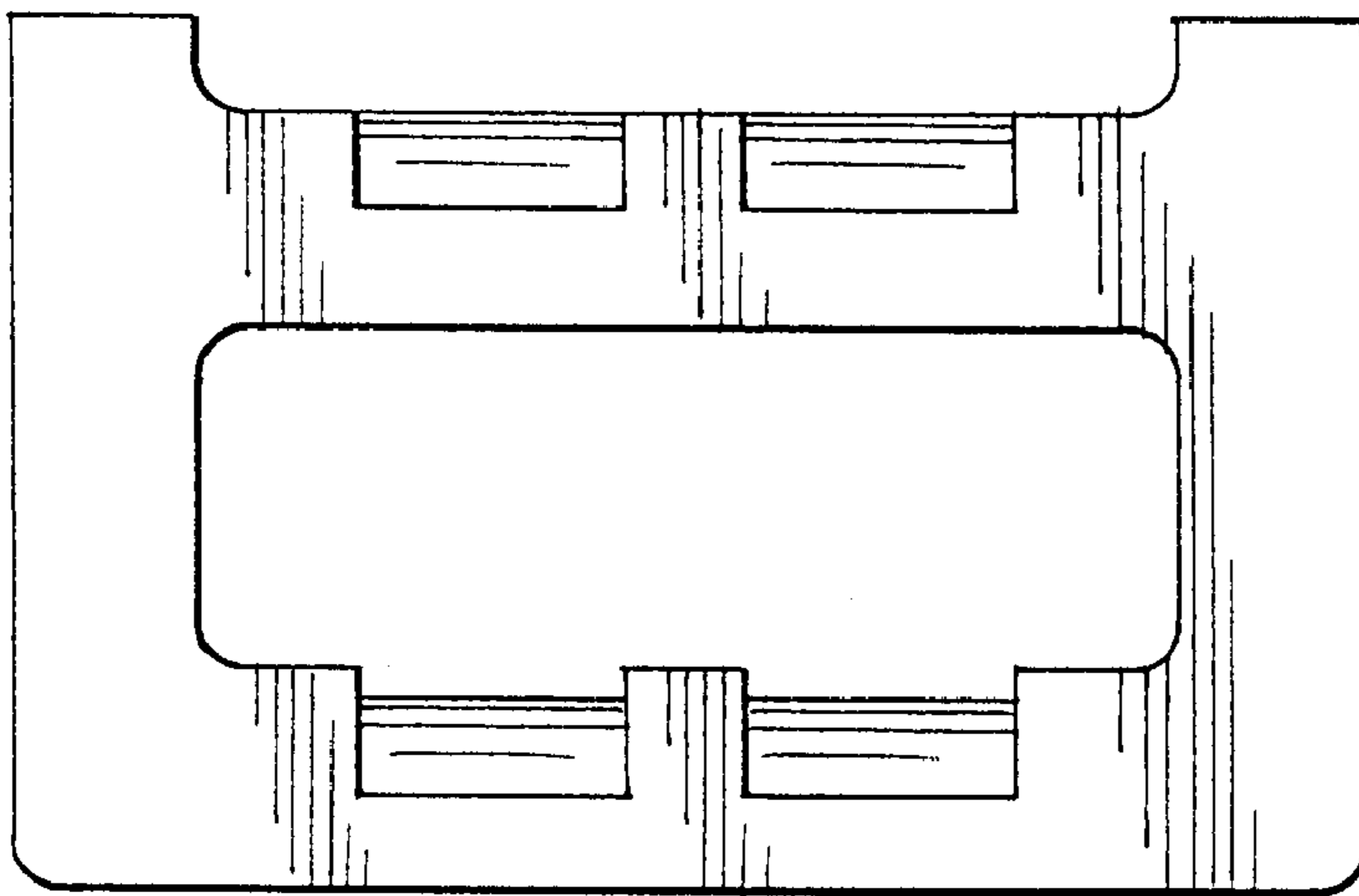


FIG.7

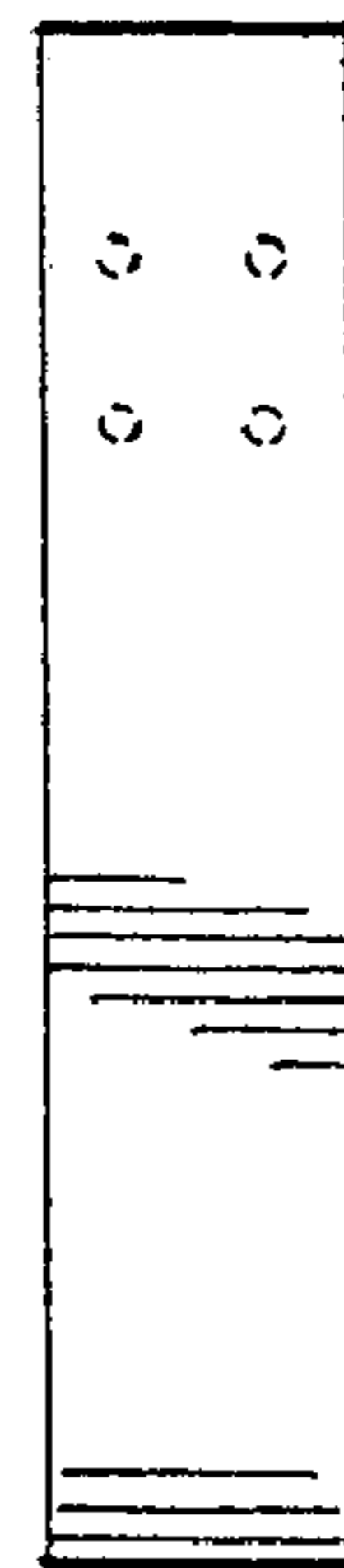


FIG.8

