



US00D514768S

(12) **United States Design Patent** (10) **Patent No.:** **US D514,768 S**
Ji (45) **Date of Patent:** **** Feb. 7, 2006**

(54) **HANDLE FOR A SERVICE JACK**

(75) Inventor: **Jun Ji**, Shanghai (CN)

(73) Assignee: **K.K.U. Incorporated**, Tokyo (JP)

(**) Term: **14 Years**

(21) Appl. No.: **29/195,402**

(22) Filed: **Dec. 11, 2003**

(51) **LOC (8) Cl.** **12-05**

(52) **U.S. Cl.** **D34/31**

(58) **Field of Classification Search** D34/31,
D34/28; 254/8 B, 84, 11, 93 H, 8 R, 2 B,
254/88, DIG. 3, 93 R, 45, 94, 124

See application file for complete search history.

(56) **References Cited**

U.S. PATENT DOCUMENTS

2,567,681	A	*	9/1951	Schwartz et al.	60/474
D263,036	S	*	2/1982	Hung	D34/31
D272,670	S	*	2/1984	Tsujimura	D34/31
D284,417	S	*	6/1986	Yamagishi	D34/31
D285,138	S	*	8/1986	Yamagishi	D34/31
5,364,071	A	*	11/1994	Lu	254/8 B
5,947,447	A	*	9/1999	Sorensen	254/1
D421,516	S	*	3/2000	Hung	D34/31
D453,983	S	*	2/2002	Lin	D34/31
6,375,160	B1	*	4/2002	Hung	254/8 B
6,435,477	B2	*	8/2002	Brunnhoelzl	254/8 B
D462,822	S	*	9/2002	Carson	D34/31
6,505,816	B1	*	1/2003	Hung	254/8 B
6,637,908	B1	*	10/2003	Hung	362/109
6,789,785	B2	*	9/2004	Hung	254/8 B

OTHER PUBLICATIONS

OTC 1737 Jack—Muscle Tool OTC Flier—p. 5—date: 03–114 1st Quarter.

OTC 1717 Jack—Muscle Tool OTC Flier—p. 5—date: 03–114 1st Quarter.

Omega 25025 Jack—Omega Heavy Duty Hydraulic Jacks & Accessories Catalog—p. 11—date: 2001 #0J01.

MVP G593BW Jack—MVP Pro Lift Catalog—p. 4—date: 2001 #L2001.

MVP G993 Jack—MVP Pro Lift Catalog—p. 4—date: 2001 #L2001.

Norco 71230 Jack—Norco Professional Lifting Equipment Catalog—p. 7—date: Jan. 2000 #9.

* cited by examiner

Primary Examiner—Cynthia E. Ramirez

(74) *Attorney, Agent, or Firm*—Greer, Burns & Crain, Ltd.

(57) **CLAIM**

The ornamental design for a handle for a service jack, as shown and described.

DESCRIPTION

FIG. 1 is a perspective view of the handle for a service jack showing my new design;

FIG. 2 is a right side view of the handle for a service jack of FIG. 1, the left side view being a mirror image of the right side view;

FIG. 3 is a top view of the handle for a service jack of FIG. 1;

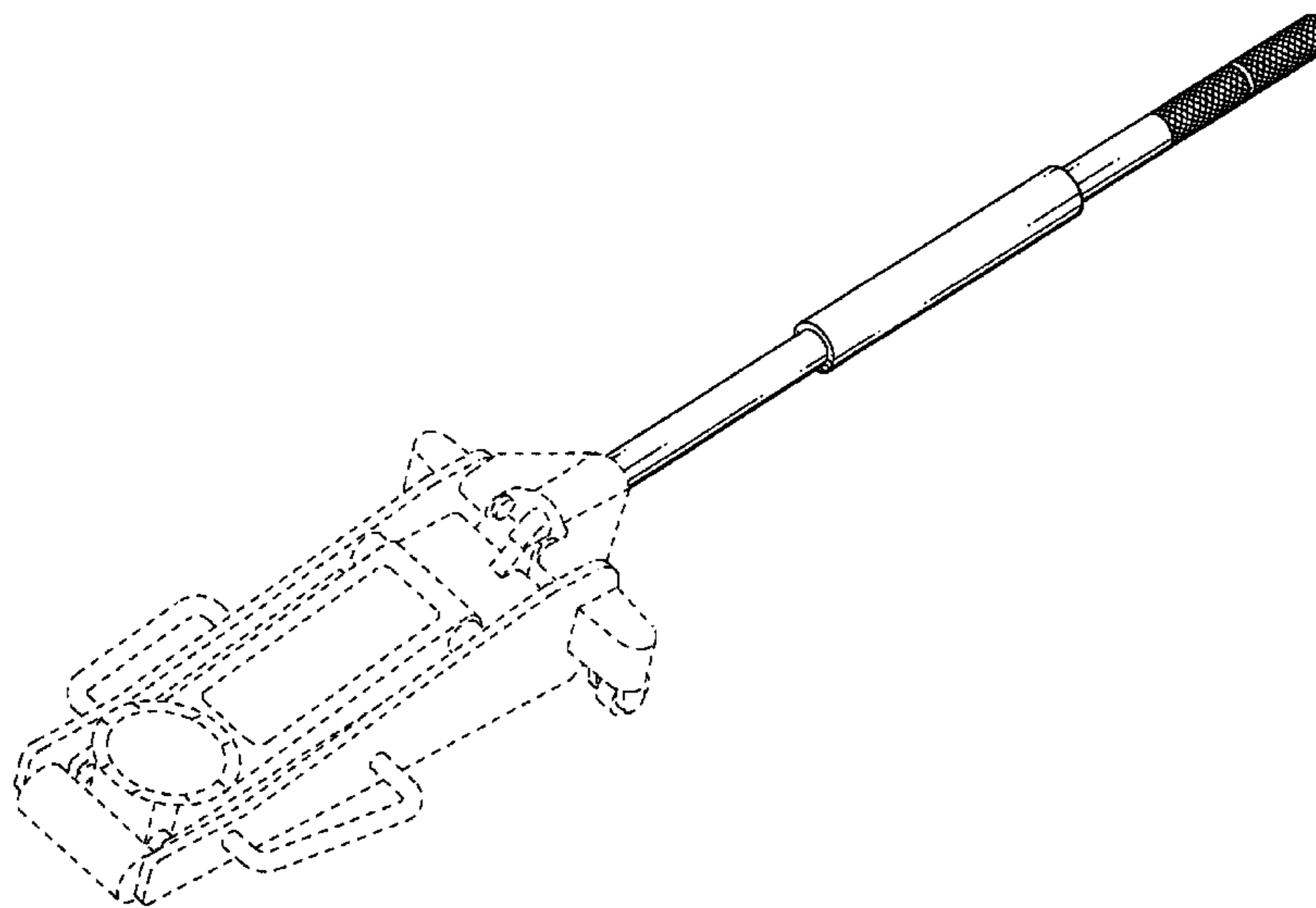
FIG. 4 is a bottom view of the handle for a service jack of FIG. 1;

FIG. 5 is a front view of the handle for a service jack of FIG. 1; and,

FIG. 6 is a rear view of the handle for a service jack of FIG. 1.

The broken lines in the above-identified application are for illustrative purposes only and form no part of the claimed design.

1 Claim, 3 Drawing Sheets



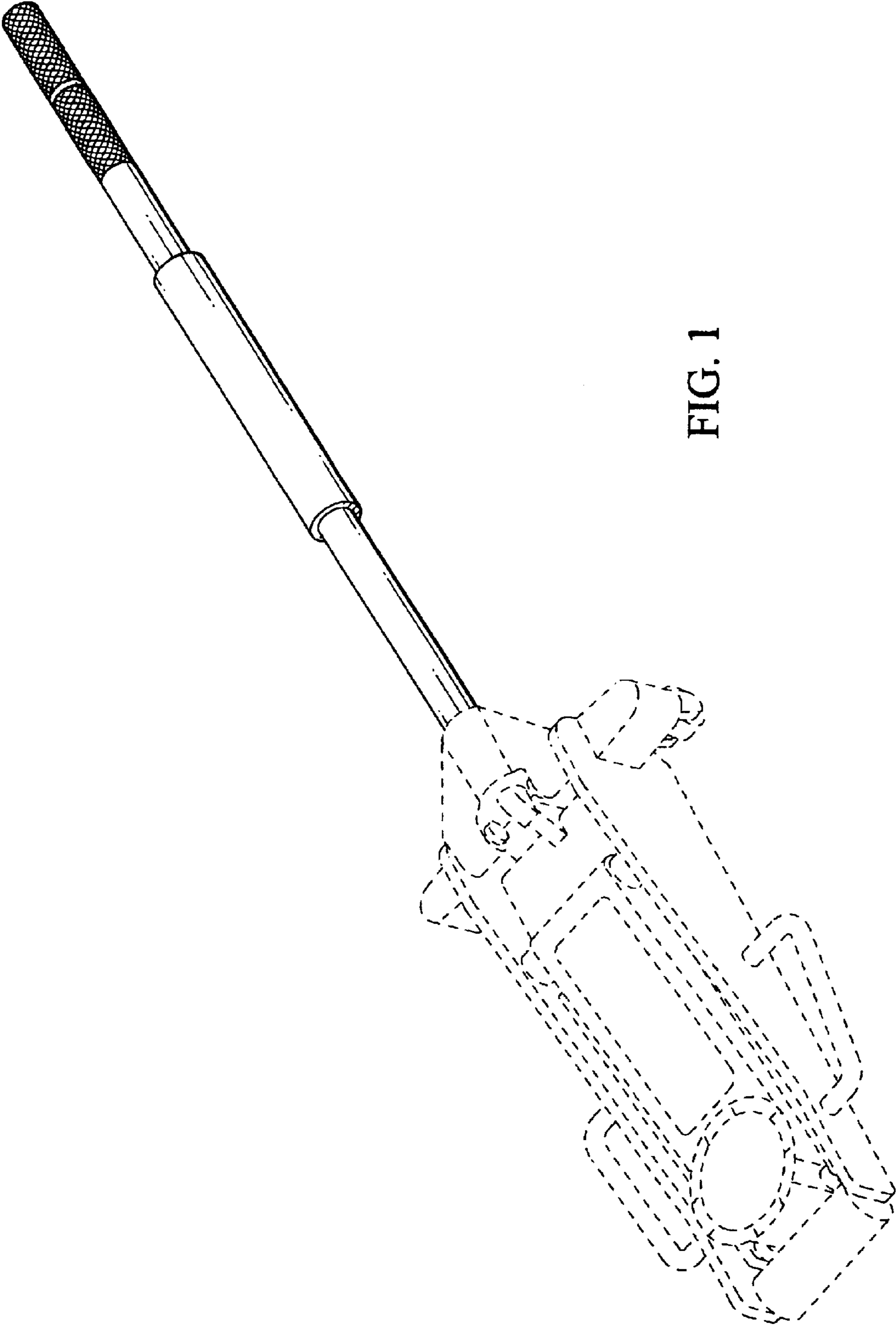


FIG. 1

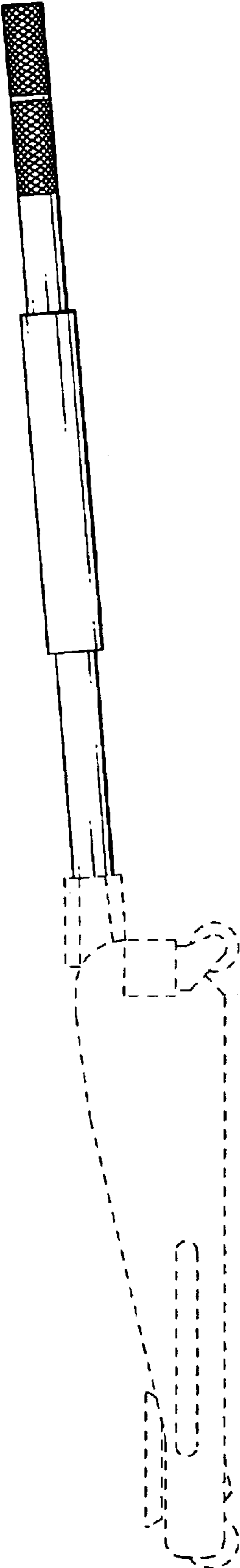


FIG. 2

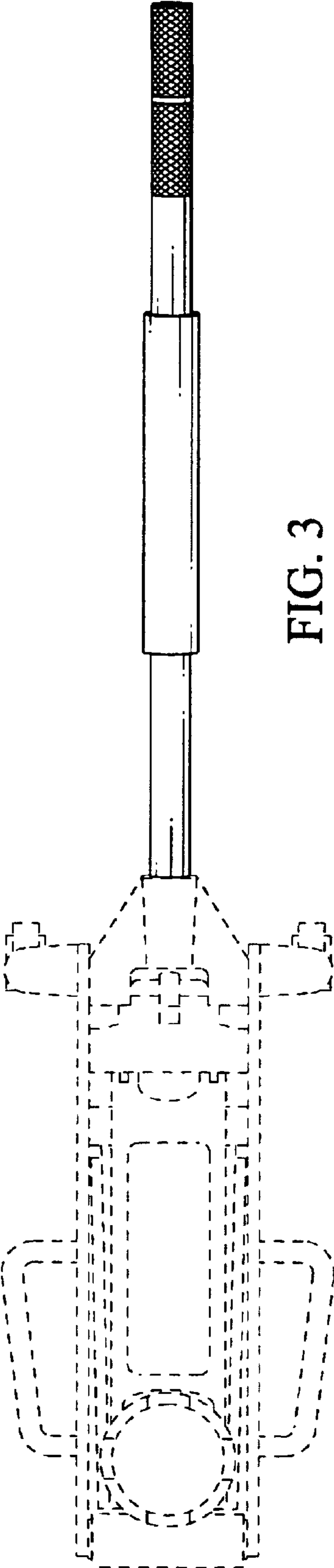


FIG. 3

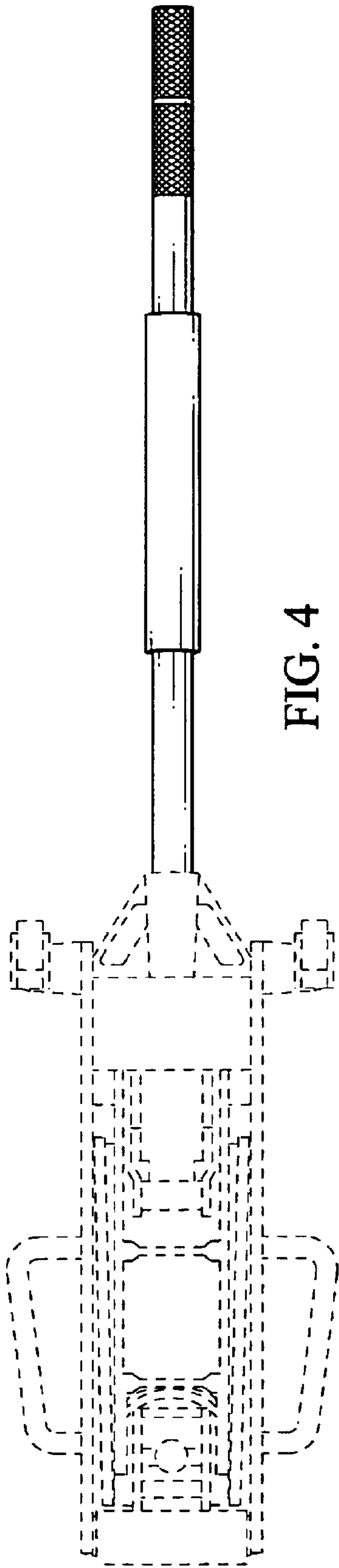


FIG. 4

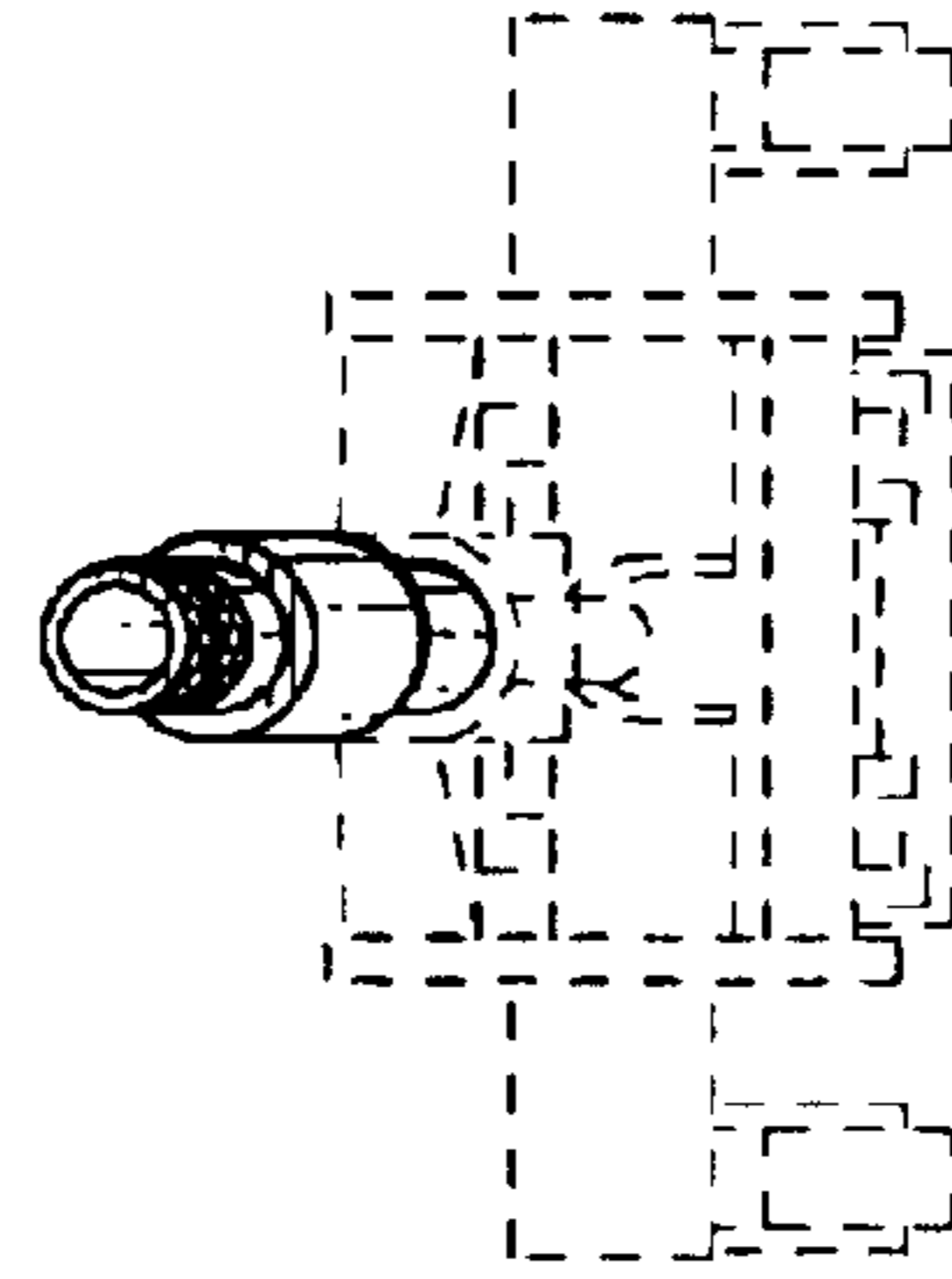


FIG. 6

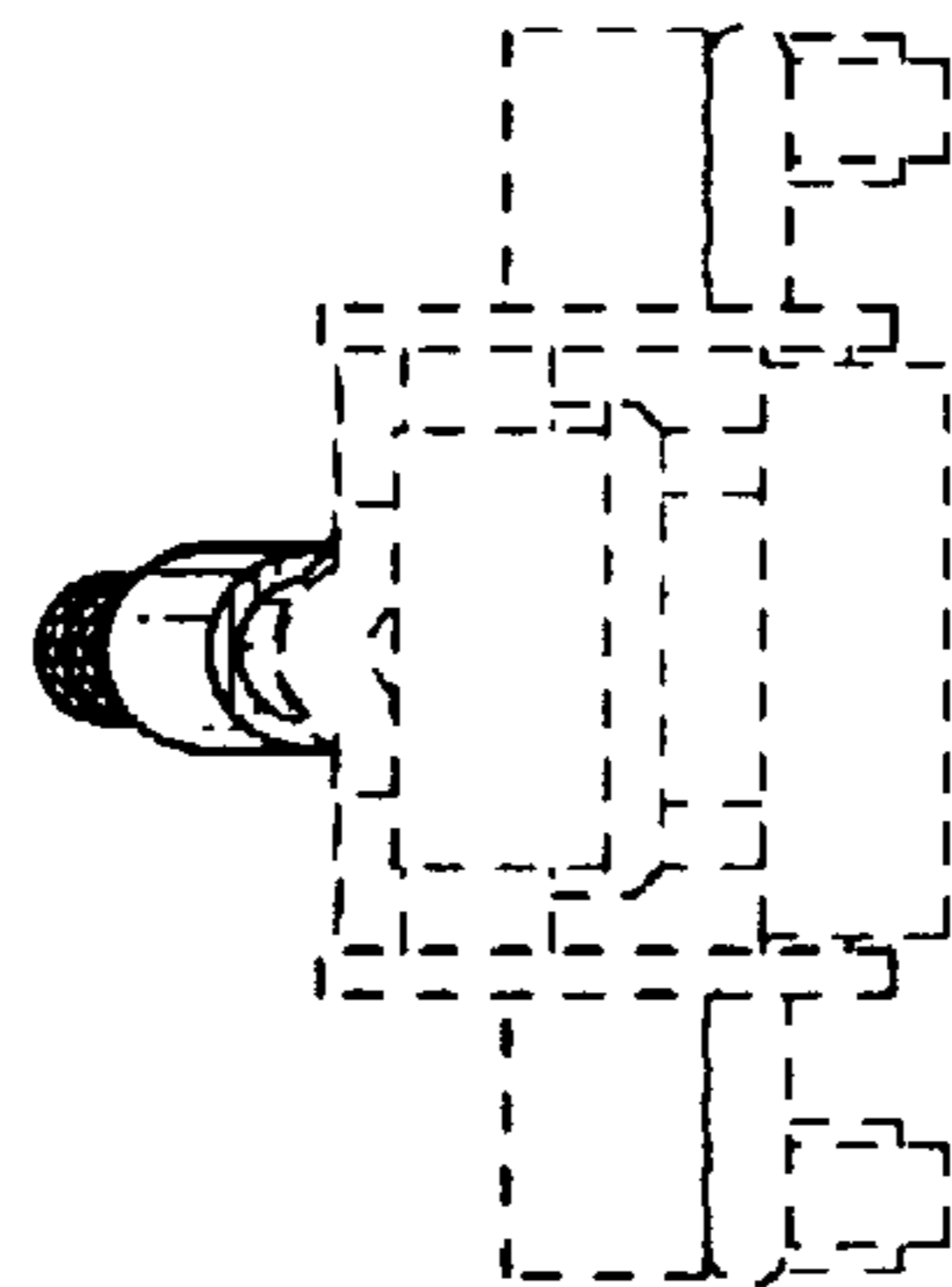


FIG. 5