



US00D514767S

(12) **United States Design Patent**
Schusler et al.

(10) **Patent No.:** **US D514,767 S**

(45) **Date of Patent:** **** Feb. 7, 2006**

(54) **TROLLEY**

D410,577 S * 6/1999 Ciphers, Sr. D34/17
D456,582 S * 4/2002 Riach D34/24

(75) Inventors: **David John Schusler**, Newcastle Upon Tyne (GB); **Neil Robert Seago**, Newcastle Upon Tyne (GB)

* cited by examiner

(73) Assignee: **Royal Mail Group PLC**, London (GB)

Primary Examiner—Holly H. Baynham

(**) Term: **14 Years**

(74) *Attorney, Agent, or Firm*—Sterne, Kessler, Goldstein & Fox P.L.L.C.

(21) Appl. No.: **29/178,901**

(57) **CLAIM**

(22) Filed: **Apr. 3, 2003**

The ornamental design for a trolley, as shown and described.

(30) **Foreign Application Priority Data**

DESCRIPTION

Oct. 17, 2002 (GB) 3007853

FIG. 1 is a left side view of a trolley showing a new design;

(51) **LOC (8) Cl.** **12-02**

FIG. 2 is a right side view thereof;

(52) **U.S. Cl.** **D34/12**

FIG. 3 is a top view thereof;

(58) **Field of Classification Search** D34/14,
D34/25, 23; 280/418.1, 47.18, 47.26, 47.34,
280/33.994, 33.993

FIG. 4 is a bottom view thereof;

FIG. 5 is a front view thereof;

See application file for complete search history.

FIG. 6 is a rear view thereof; and,

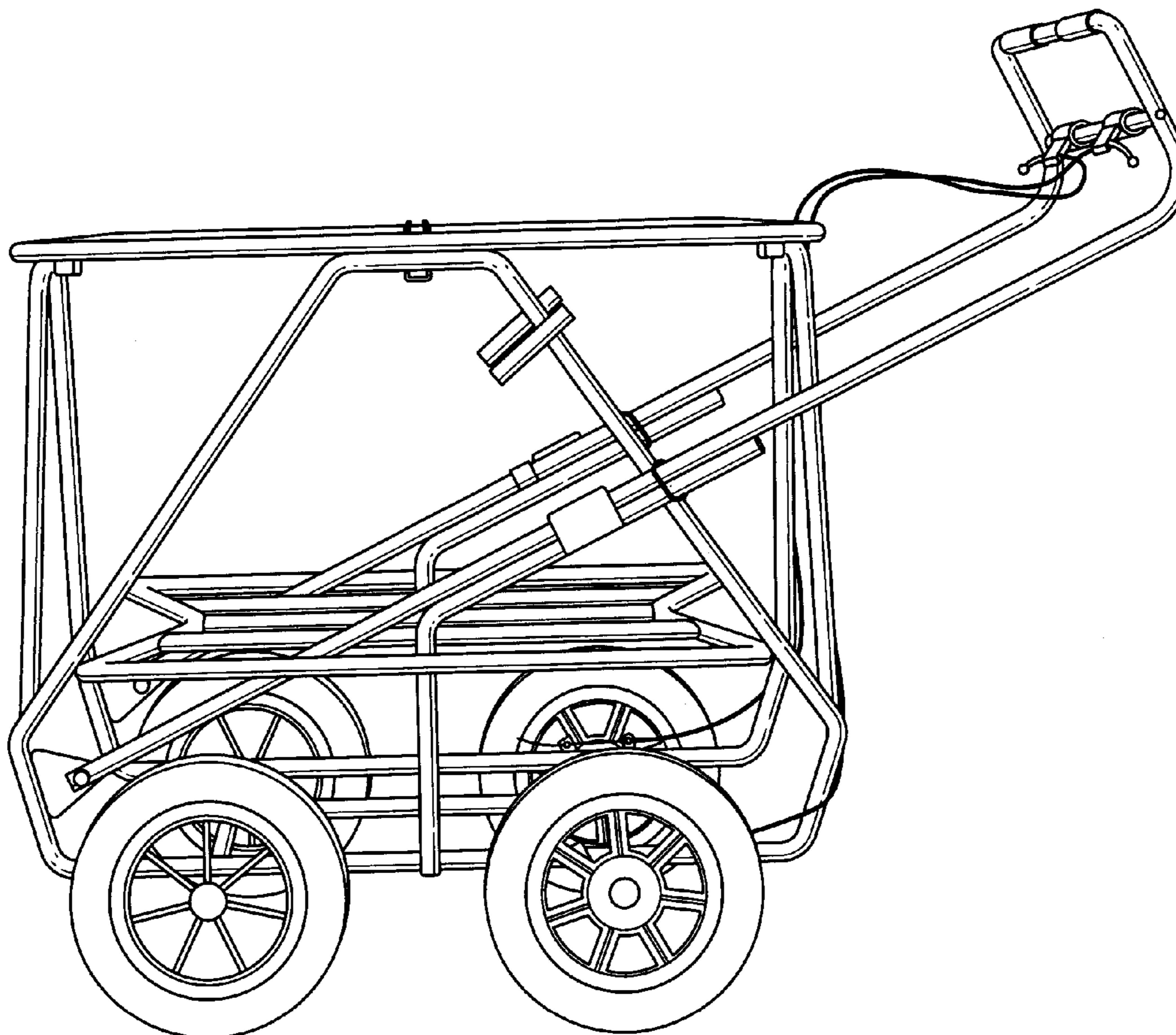
FIG. 7 is a side view of a trolley in FIG. 1 with the handle in a raised position.

(56) **References Cited**

U.S. PATENT DOCUMENTS

5,228,716 A * 7/1993 Dahl 280/651

1 Claim, 7 Drawing Sheets



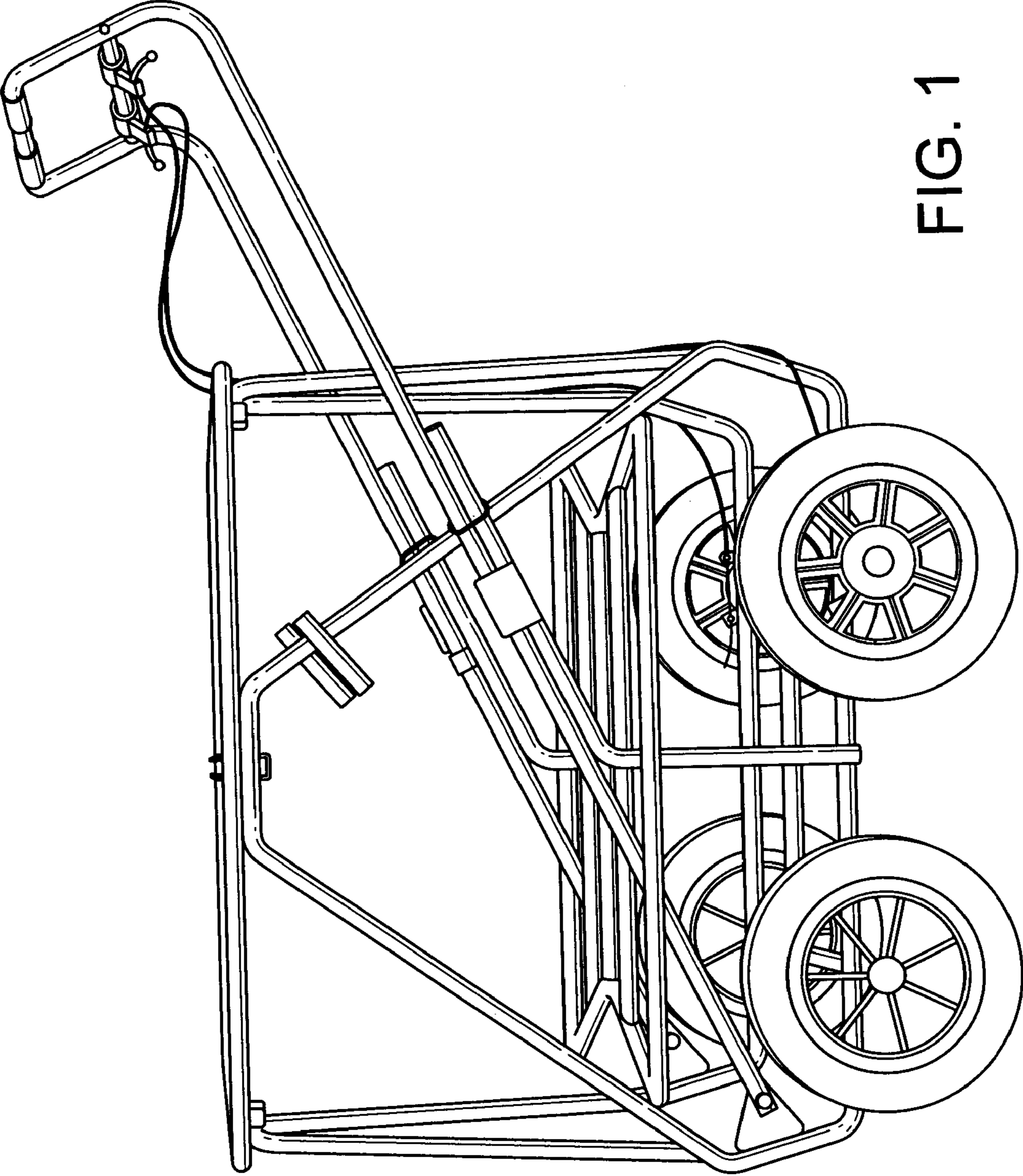


FIG. 1

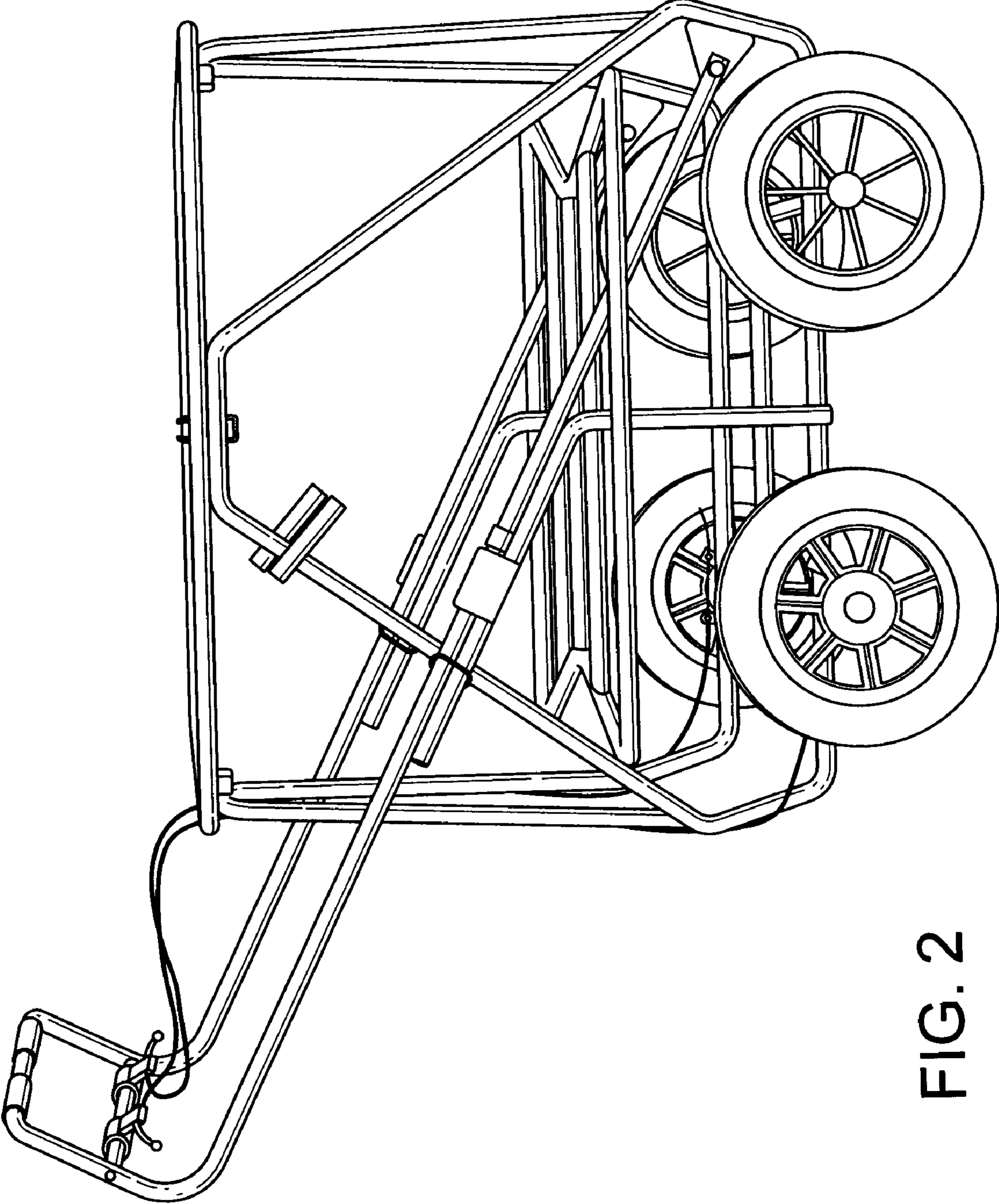


FIG. 2

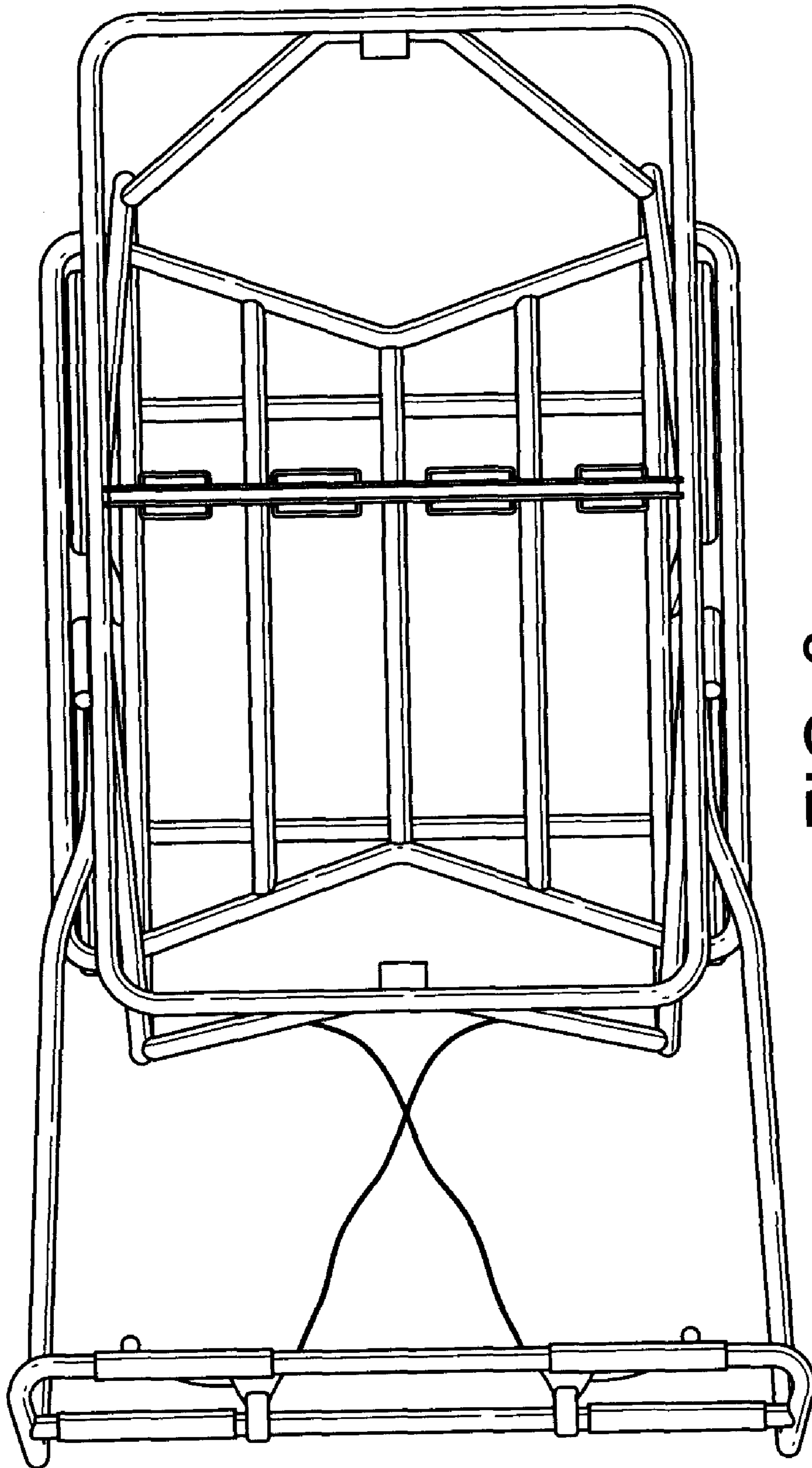


FIG. 3

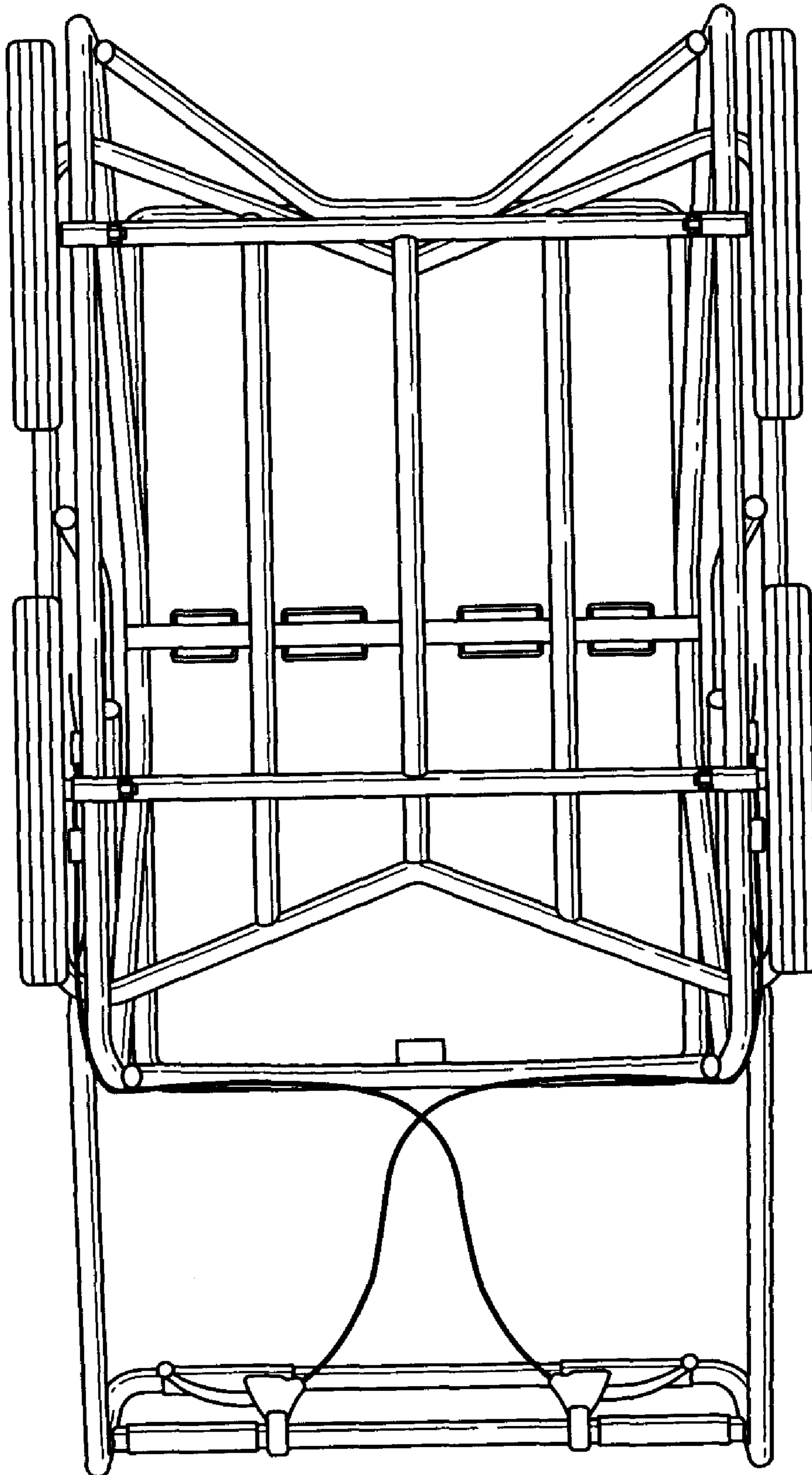


FIG. 4

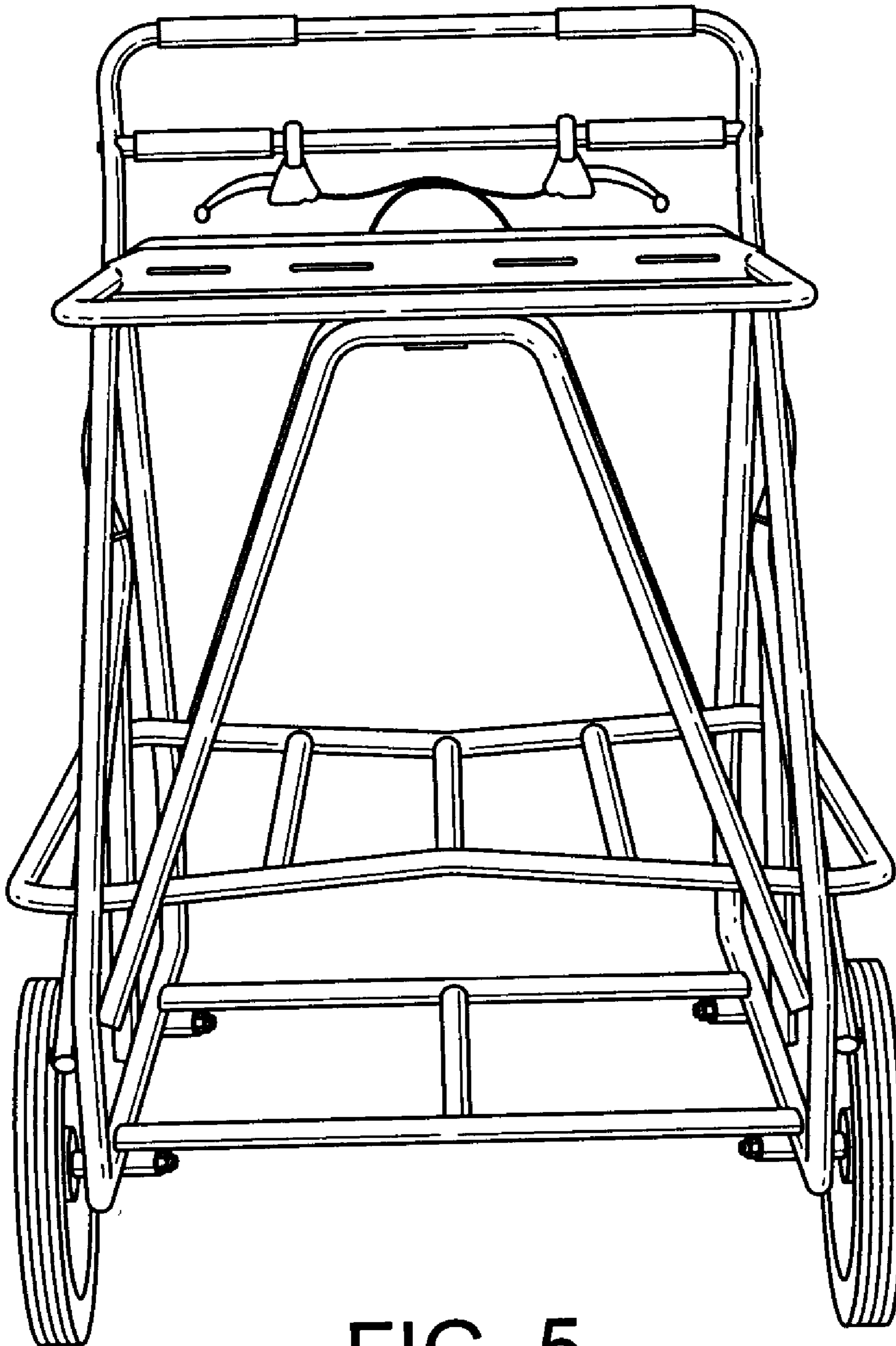


FIG. 5

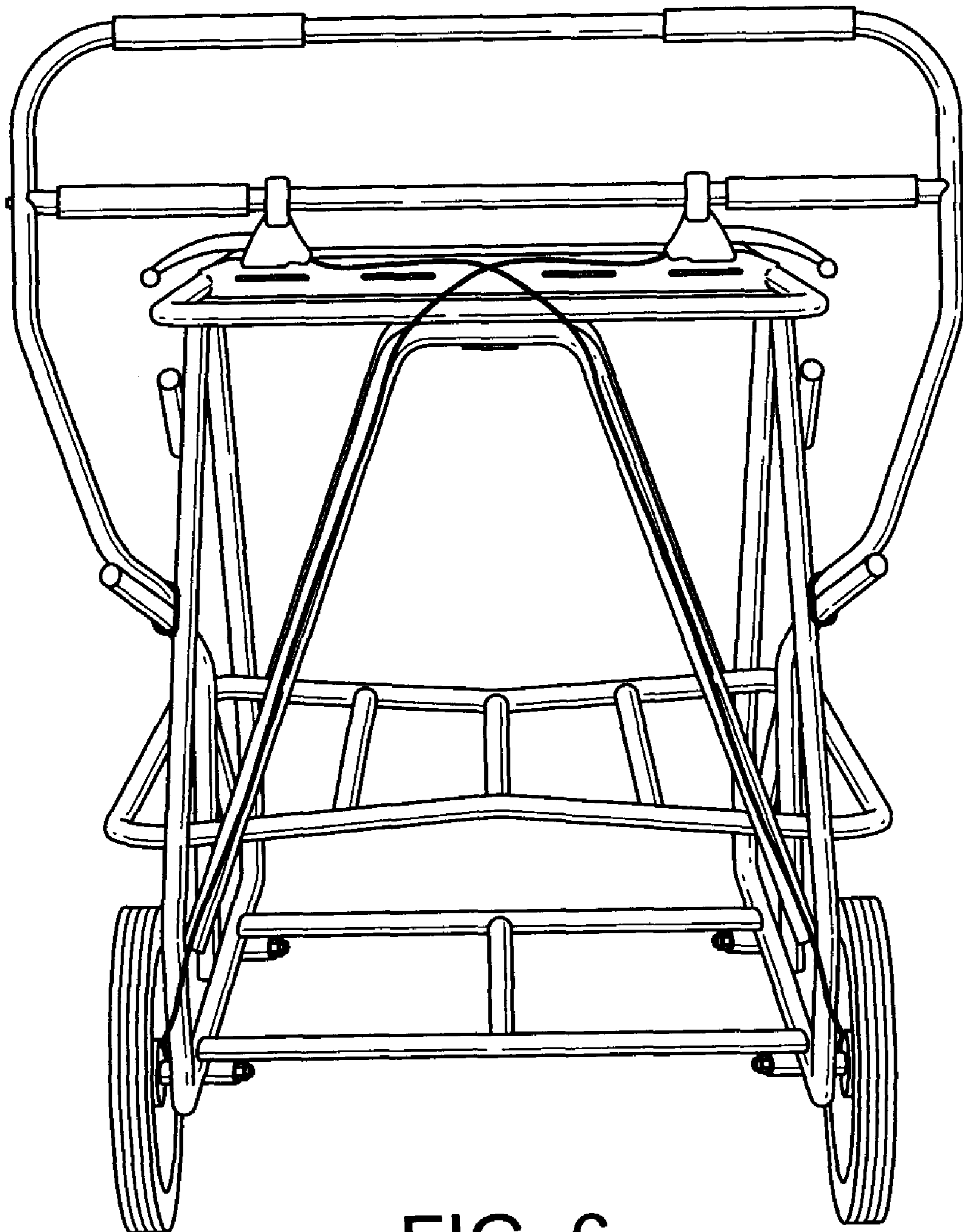


FIG. 6

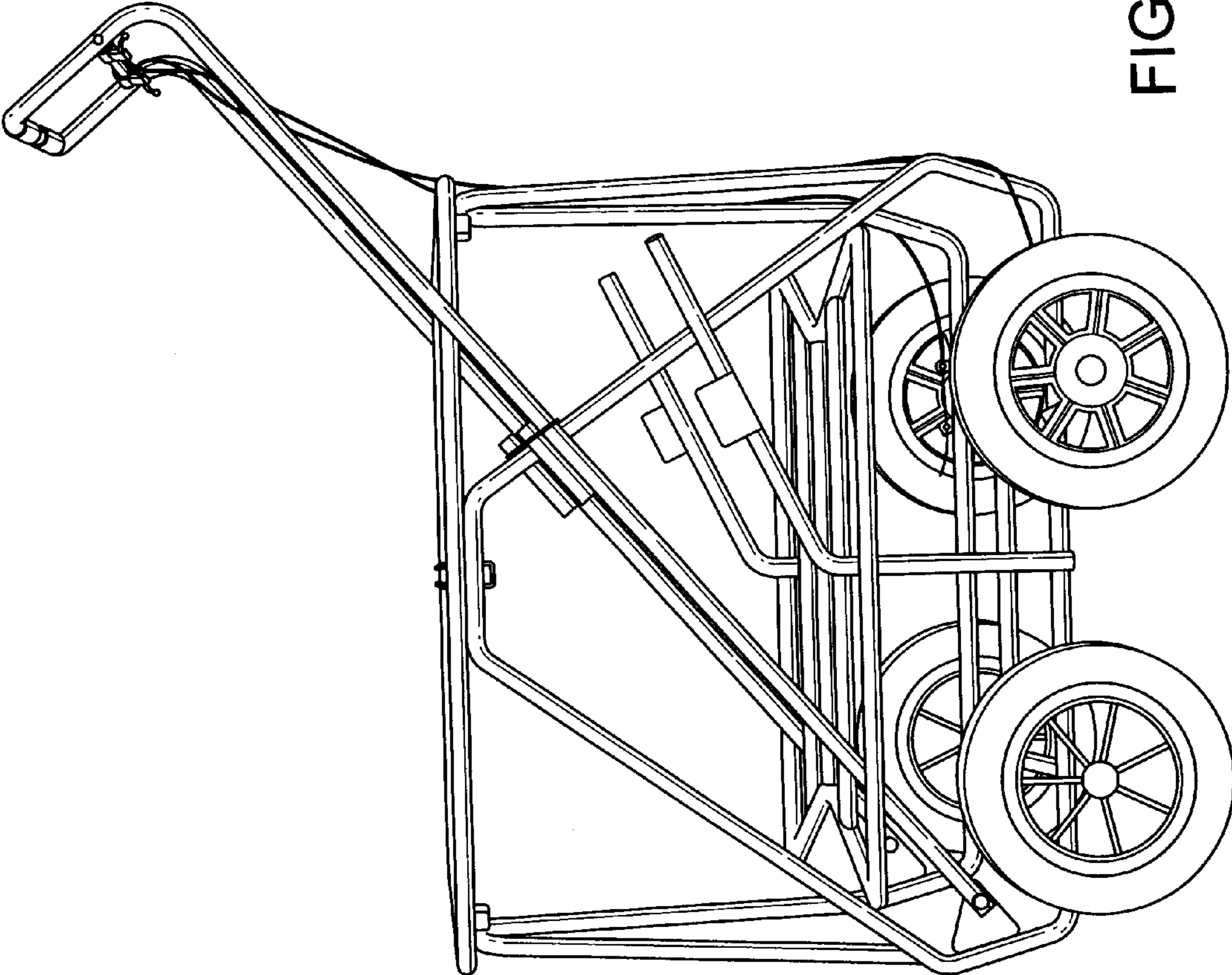


FIG. 7