



US00D514766S

(12) **United States Design Patent** (10) **Patent No.:** **US D514,766 S**
Manfiotto (45) **Date of Patent:** **** Feb. 7, 2006**

(54) **COMBINED IRONING BOARD, ELECTRIC IRON, AND IRON HOLDER**

EP 713938 A1 * 5/1996

* cited by examiner

(75) Inventor: **Arcangelo Manfiotto**, Fellette Di Romano D'Ezzelino (IT)

Primary Examiner—Alan P. Douglas
Assistant Examiner—Lavone D. Tabor

(73) Assignee: **Axana 2000 S.r.l.**, Romano D'axxelino (vi) (IT)

(74) *Attorney, Agent, or Firm*—Reising, Ethington, Barnes, Kisselle, P.C.

(**) Term: **14 Years**

(57) **CLAIM**

The ornamental design for a combined ironing board, electric iron, and iron holder, substantially as shown and described.

(21) Appl. No.: **29/180,297**

(22) Filed: **Apr. 21, 2003**

DESCRIPTION

Related U.S. Application Data

(63) Continuation of application No. 29/150,457, filed on Nov. 14, 2001, now abandoned.

(30) **Foreign Application Priority Data**

May 14, 2001 (IT) RM2001O0108

(51) **LOC (8) Cl.** **07-05**

(52) **U.S. Cl.** **D32/66; D32/70**

(58) **Field of Classification Search** D32/66, D32/68, 70, 73; 38/74, 75, 77.1, 77.5, 77.6, 38/77.7, 103, 104, 106, 107, 137, 141, 142; 248/117.1, 117.2

See application file for complete search history.

FIG. 1 is a top and side perspective view of a combined ironing board, electric iron, and iron holder, with a second electric cord being partially shown for ease of illustration; FIG. 2 is a top and side perspective view thereof, with the second electric cord omitted for ease of illustration; FIG. 3 is a side elevational view thereof, showing the ironing board partially closed and the iron in a first, partially stored position with the vertical cord support, iron holding tray and second electric cord omitted for ease of illustration; FIG. 4 is side elevational view of FIG. 3 showing the ironing board completely closed and the second electric cord in a stored position; FIG. 5 is an enlarged, fragmentary, top perspective view of the ironing board; FIG. 6 is an enlarged, fragmentary, top perspective view of FIG. 1, with the iron placed on the ironing board; FIG. 7 is an enlarged, fragmentary, bottom perspective view showing the components in a completely stored position; FIG. 8 is a top and side perspective view of FIG. 2, with the iron shown in a second partially stored position and the vertical cord support and iron holder being omitted for ease of illustration; FIG. 9 is a top and side perspective view of FIG. 8, with the ironing board partially closed; and, FIG. 10 is a side elevational view of FIG. 4, with the iron in a completely stored position and the vertical cord holder and the iron holder omitted for ease of illustration.

(56) **References Cited**

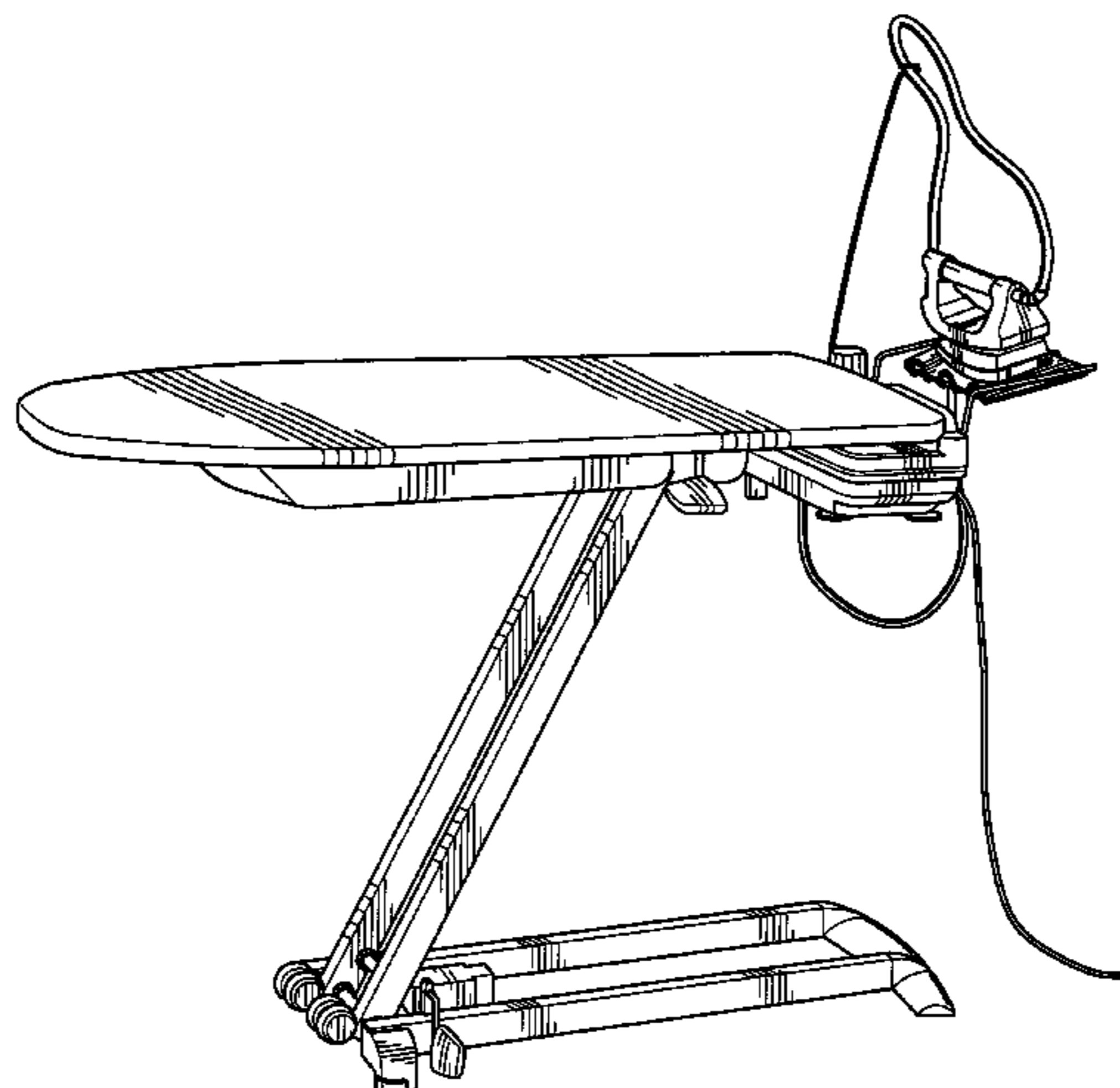
U.S. PATENT DOCUMENTS

2,661,552 A * 12/1953 Reichold 38/77.6
D426,040 S * 5/2000 Wicky D32/66
D431,338 S * 9/2000 Zanardo D32/70
6,250,593 B1 * 6/2001 Palu 248/117.2
6,263,597 B1 * 7/2001 Bric 38/142

FOREIGN PATENT DOCUMENTS

DE 4135508 C1 * 10/1992
DE 29918638 U1 * 3/2000
DE 10106329 A1 * 8/2002
EP 587472 A1 * 3/1994

1 Claim, 6 Drawing Sheets



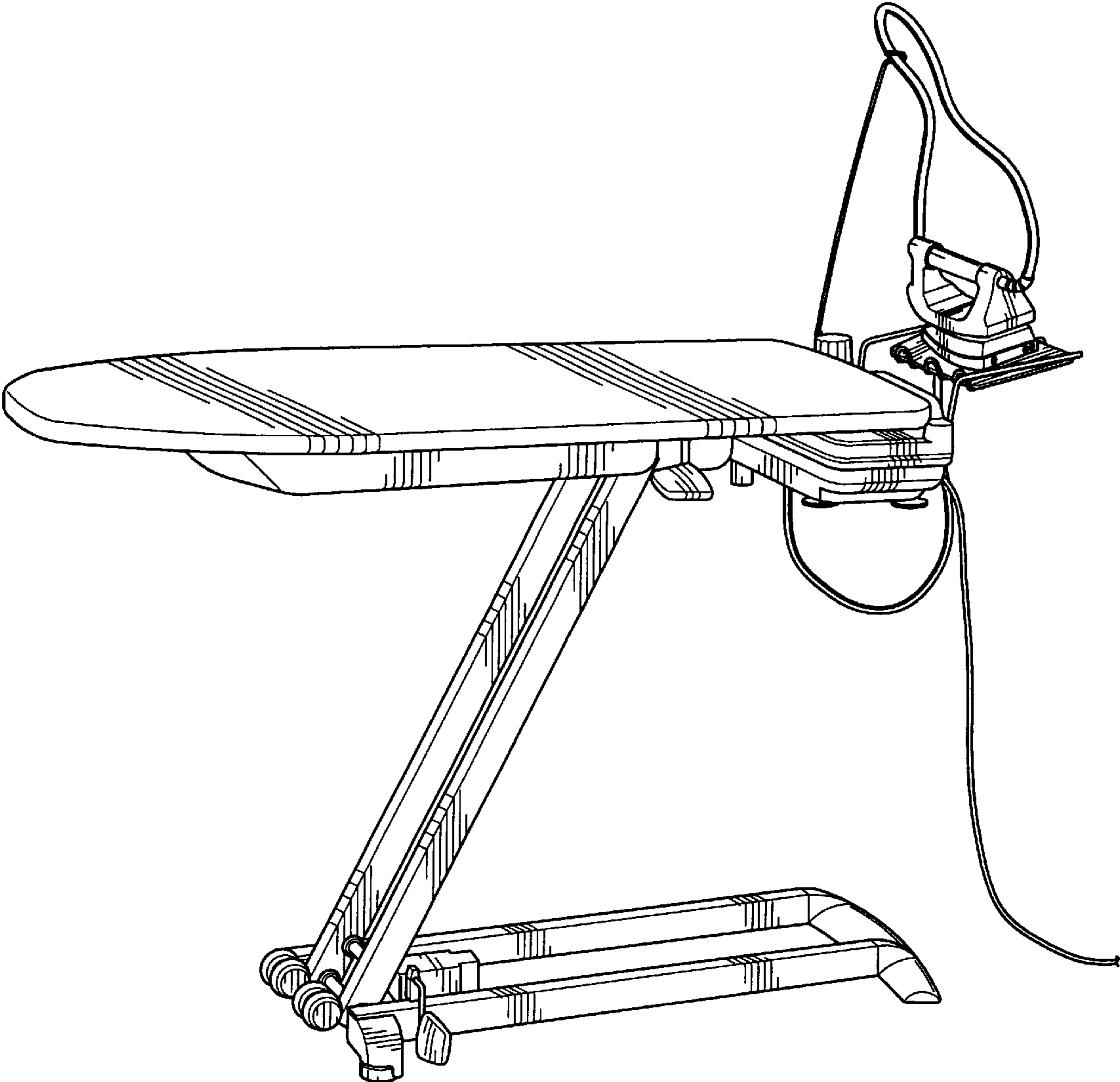


Figure 1

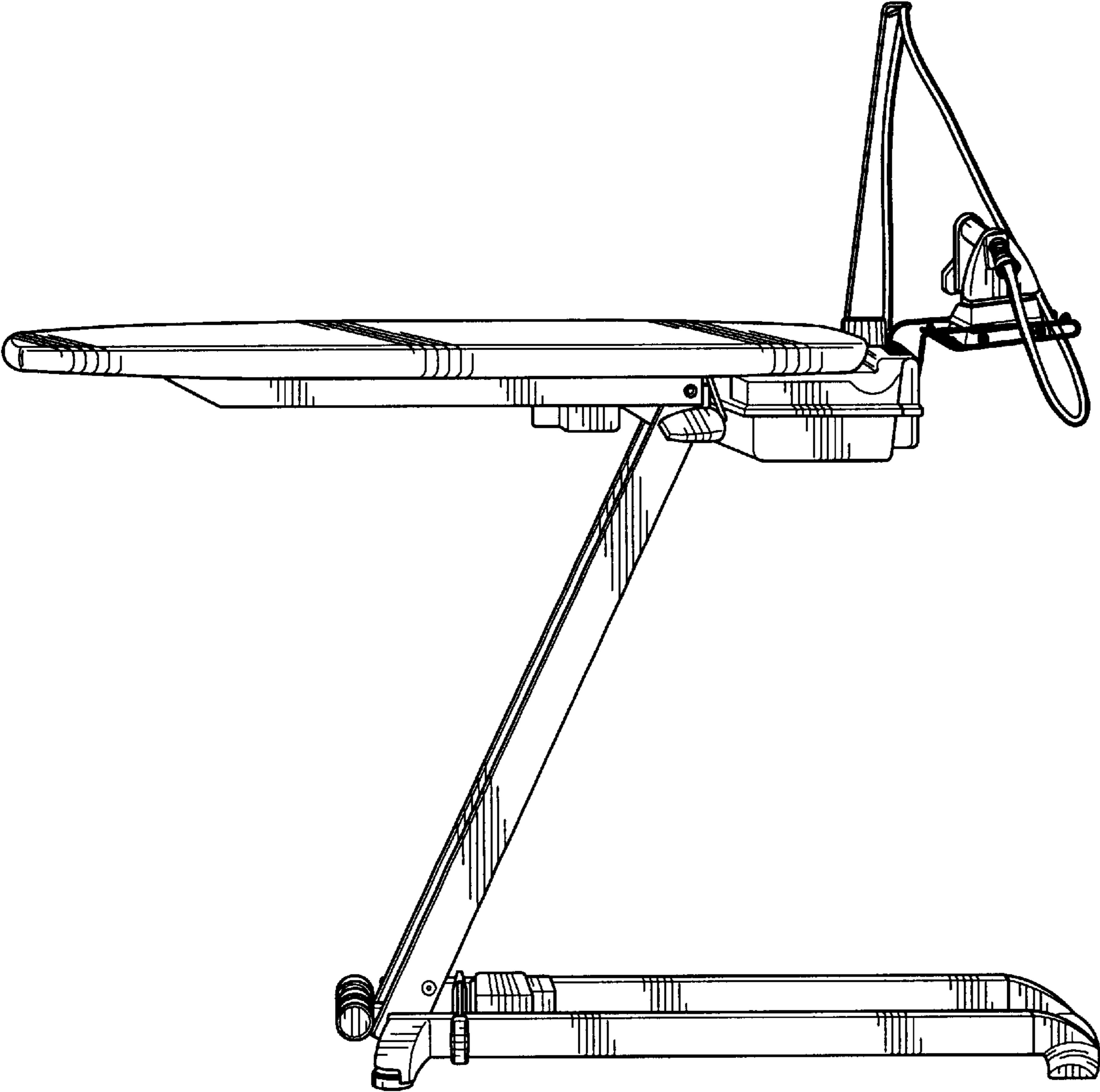


Figure 2

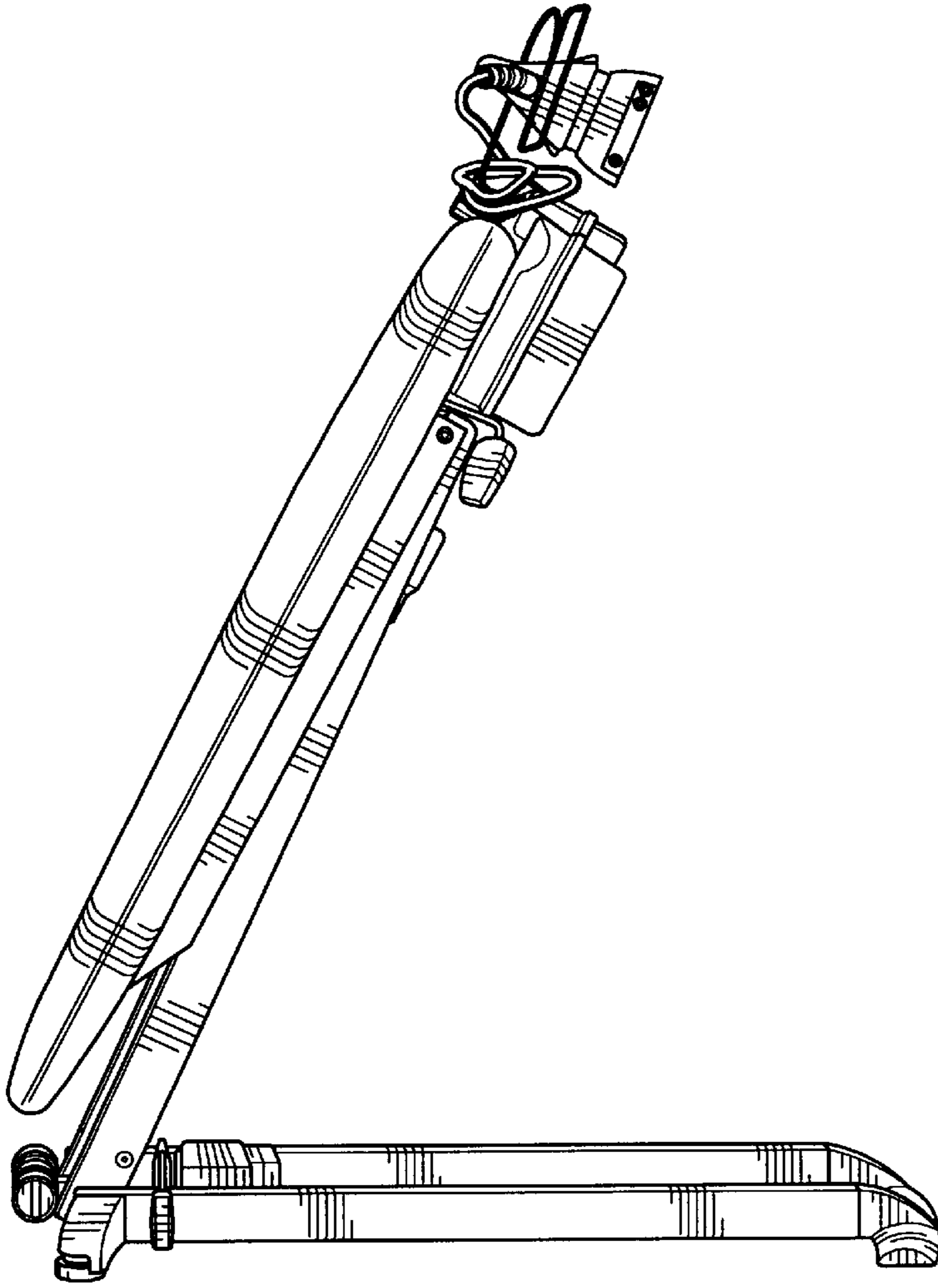


Figure 3

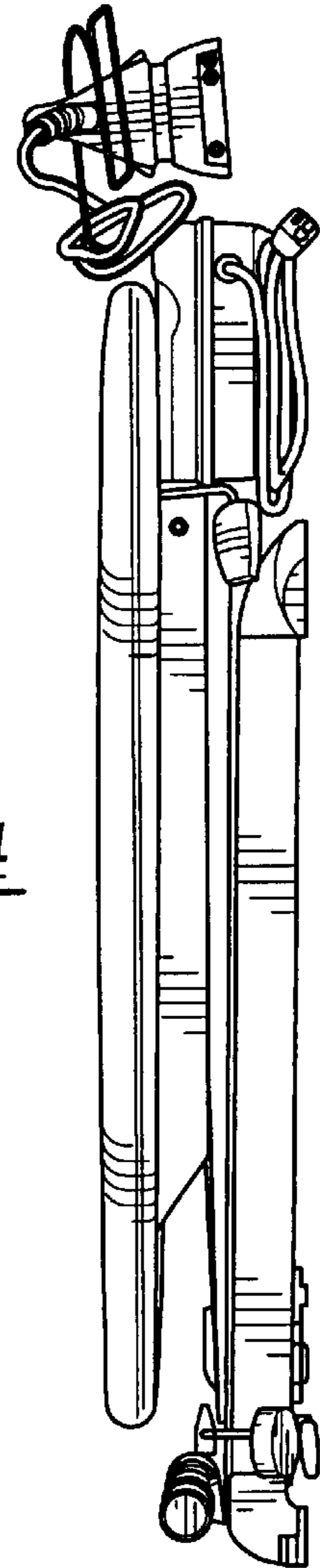


Figure 4

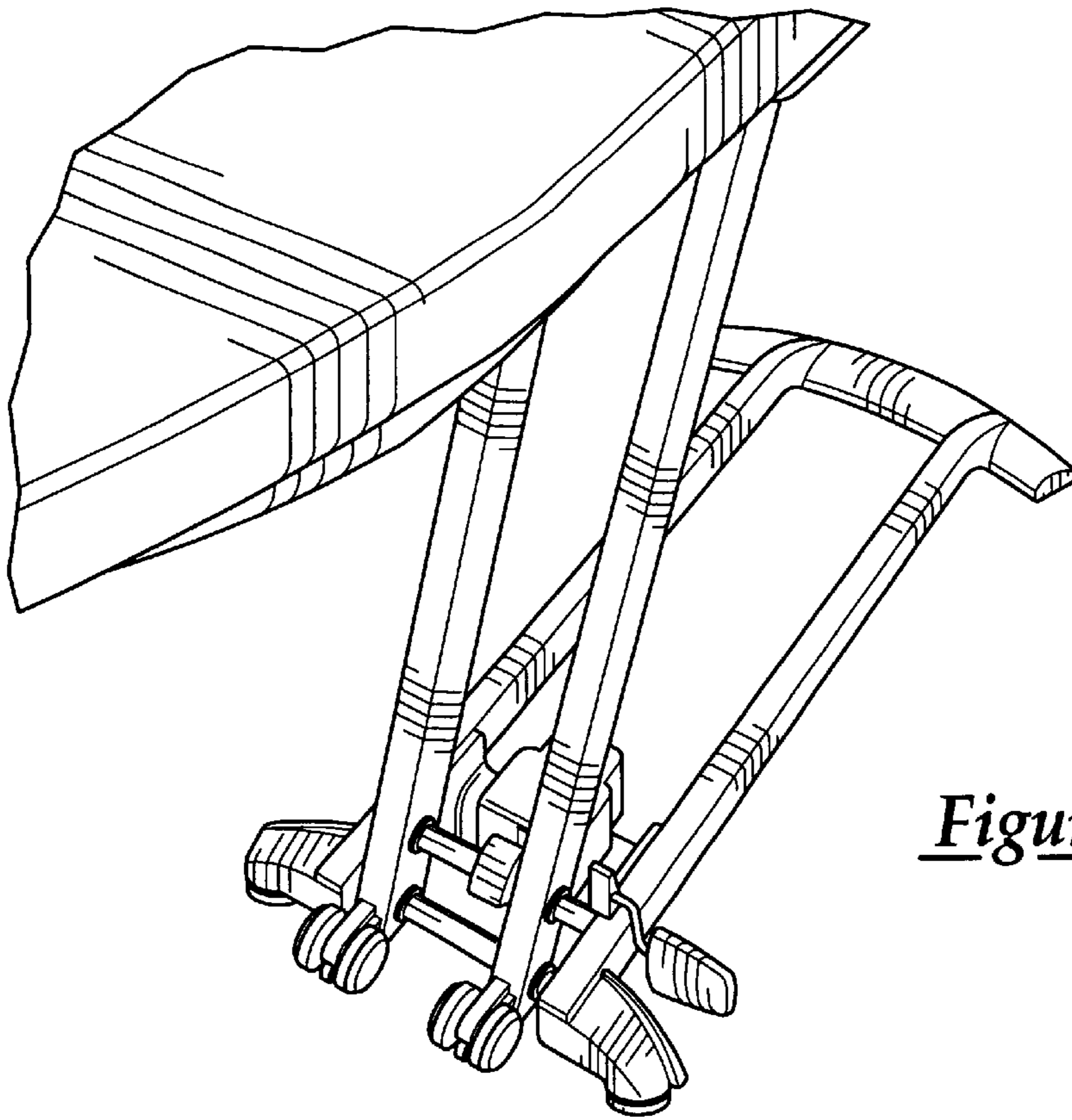


Figure 5

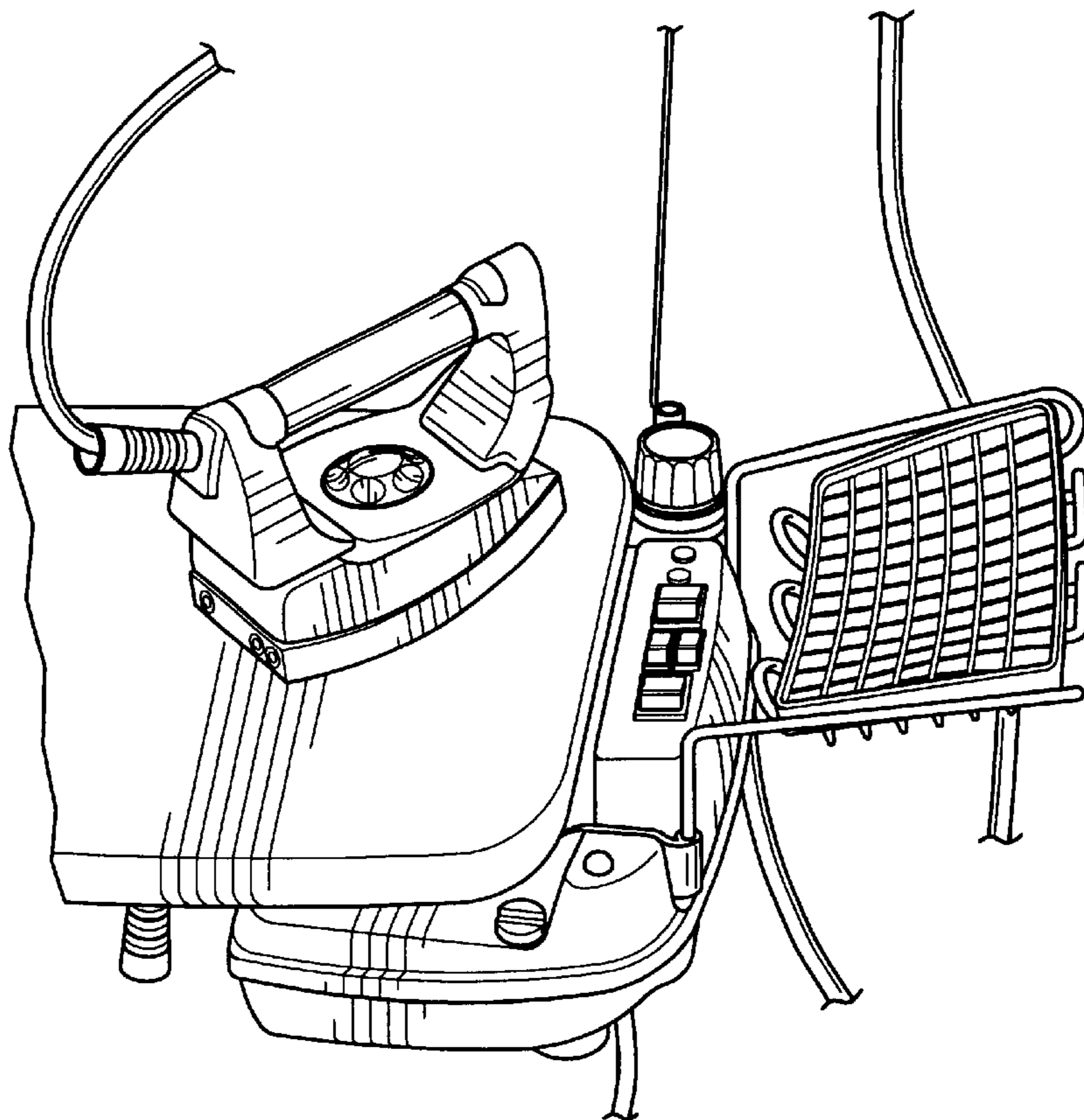


Figure 6

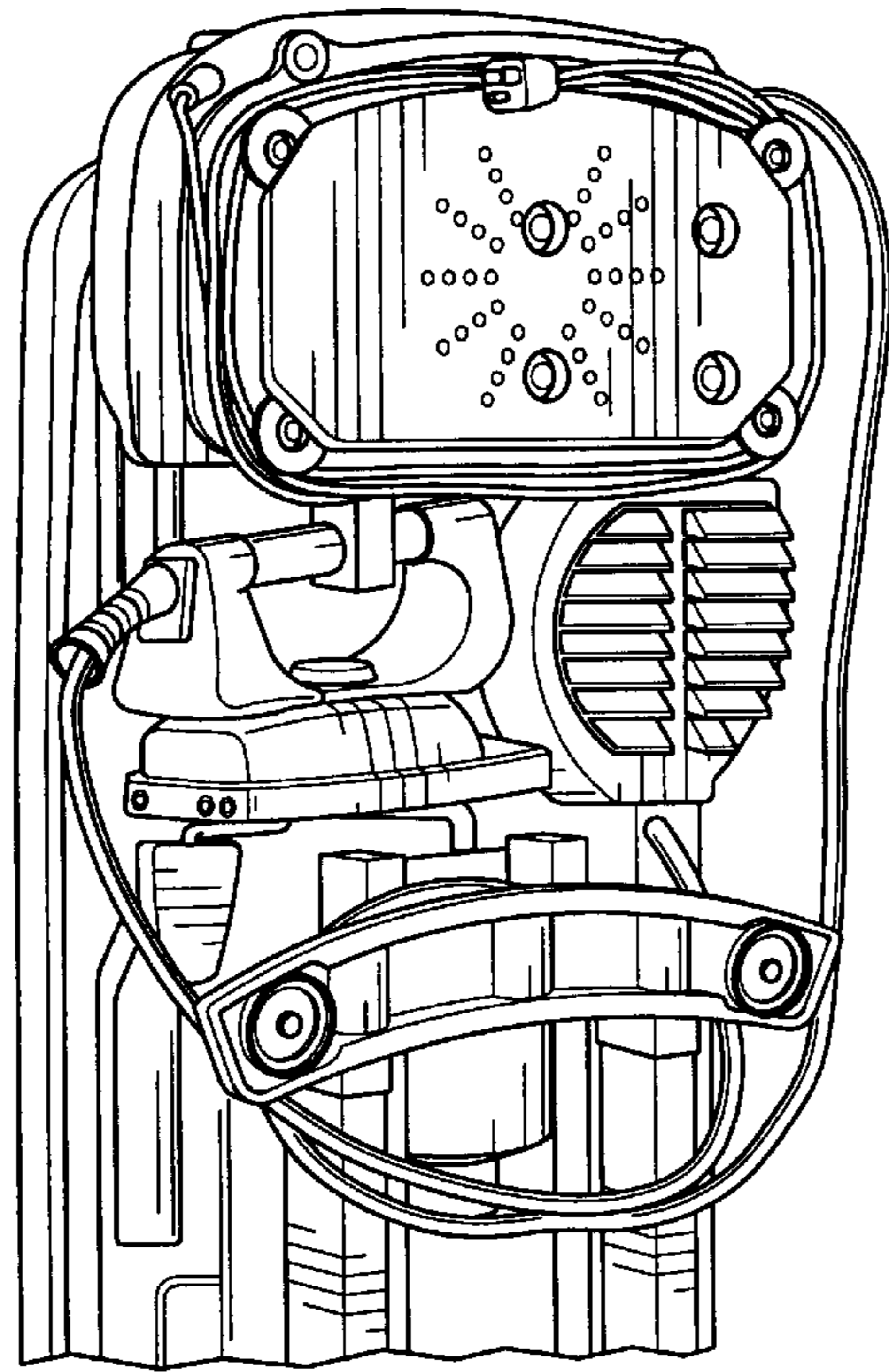


Figure 7

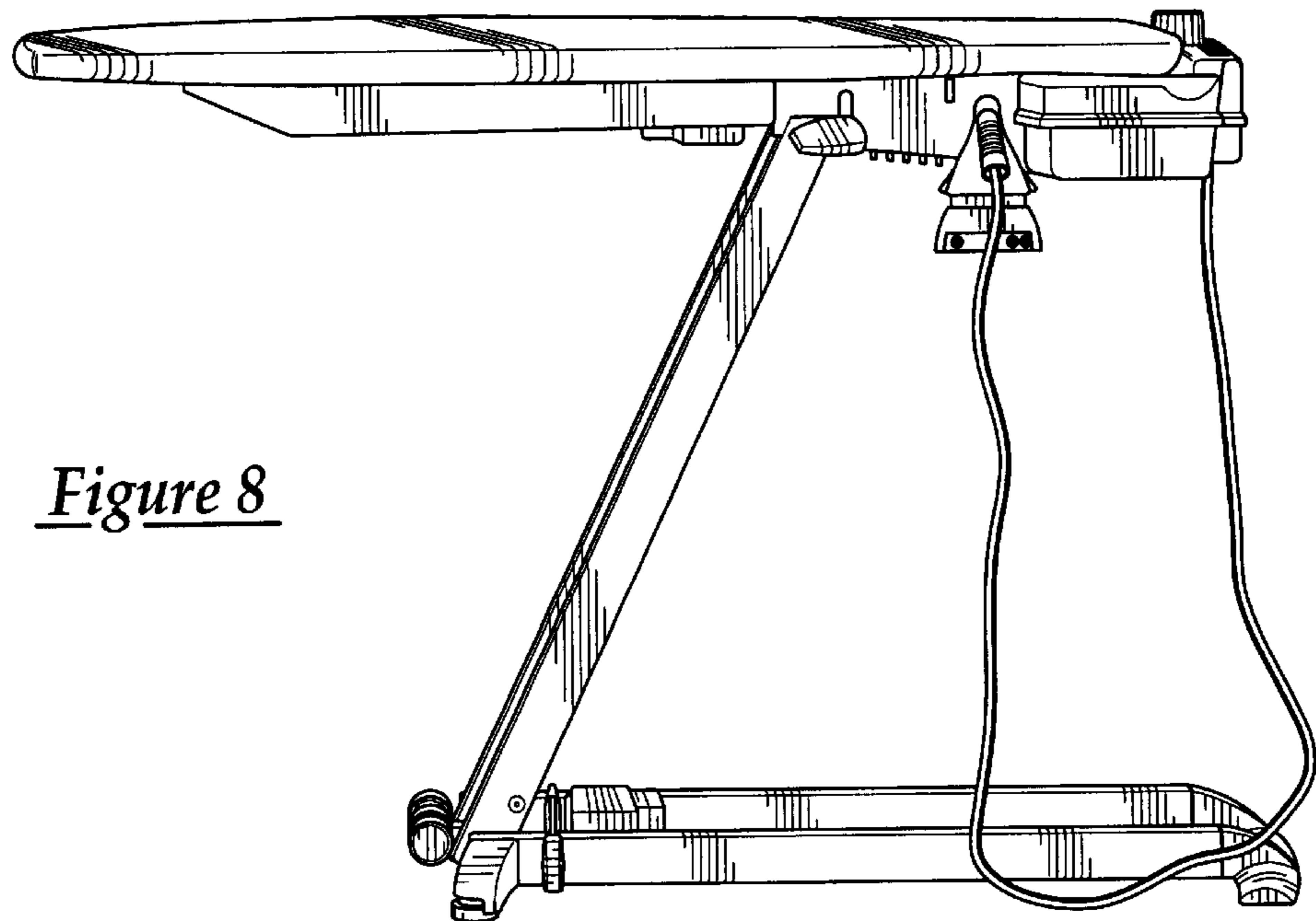


Figure 8

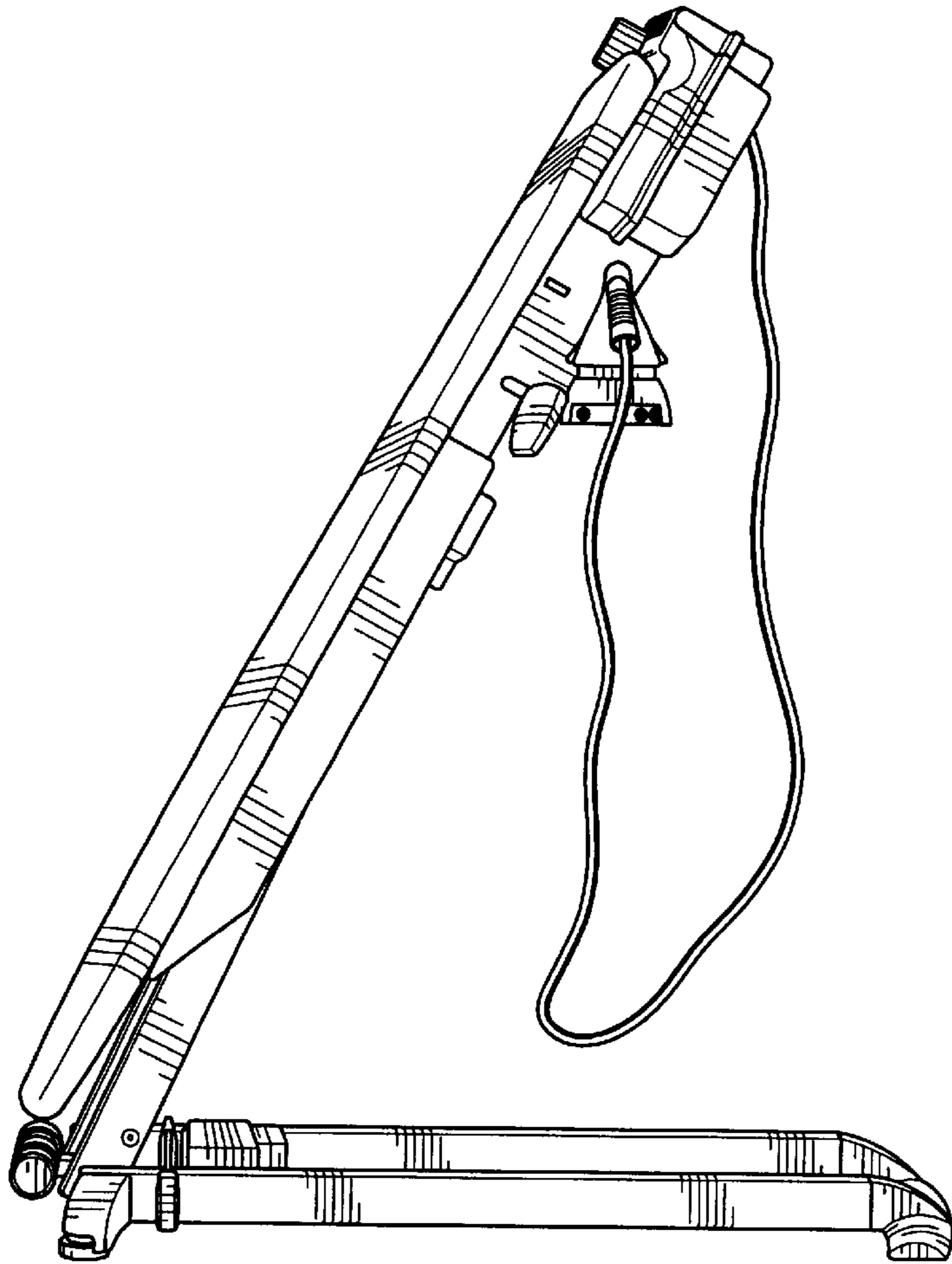


Figure 9

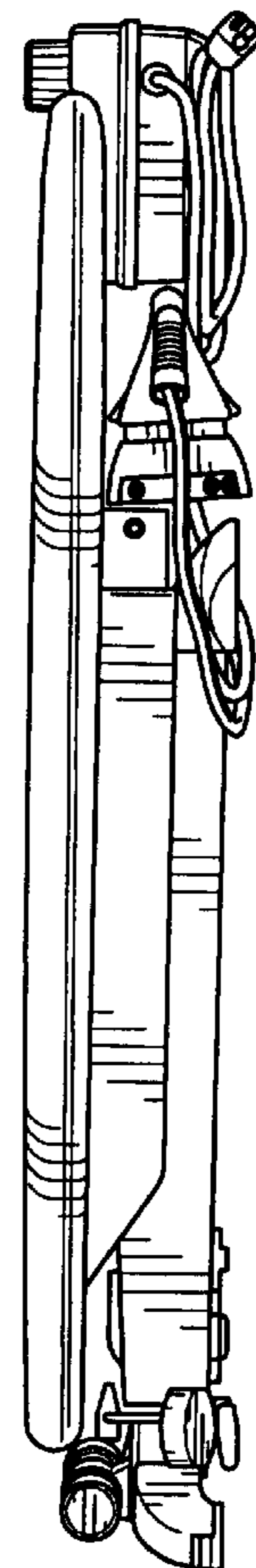


Figure 10