



US00D514761S

(12) **United States Design Patent** (10) **Patent No.:** **US D514,761 S**
Seregni et al. (45) **Date of Patent:** **** Feb. 7, 2006**

(54) **SPONGE**

(75) Inventors: **Franco Seregni**, Milan (IT); **Goffredo Luraschi**, Como (IT)

(73) Assignee: **Financiere Elysees Balzac**, Paris (FR)

(**) Term: **14 Years**

(21) Appl. No.: **29/214,953**

(22) Filed: **Oct. 12, 2004**

(30) **Foreign Application Priority Data**

Apr. 19, 2004 (FR) 04 1942

(51) **LOC (8) Cl.** **04-01**

(52) **U.S. Cl.** **D32/40; D28/63**

(58) **Field of Classification Search** D4/120, D4/137; D28/7, 63; D32/40, 42, 52; 15/118, 15/209.1, 210.1, 210.5, 244.1, 244.3, 244.4, 15/229.11, 229.12, 229.13, 104.93, 104.94; 401/6, 201; 541/533, 534, 536-539; 601/136-138
See application file for complete search history.

(56) **References Cited**

U.S. PATENT DOCUMENTS

- 4,004,376 A * 1/1977 Schepp et al. 15/104.93 X
- 4,613,446 A * 9/1986 Magyar 15/104.93
- D450,165 S * 11/2001 Osiecki et al. D32/40
- D462,818 S * 9/2002 Haro D32/40
- D480,852 S * 10/2003 Farce D32/40

FOREIGN PATENT DOCUMENTS

- JP 11 76135 A * 3/1999
- WO WO 200069322 A2 * 11/2000

OTHER PUBLICATIONS

DM/057466 International Design Deposit, (Susteric Mitja) Jun. 29, 2001 [online], [retrieved on May 27, 2005] Retrieved from the Hague Express Database of the WIPO Intellectual Property Digital Library using Internet: <URL: http://www.wipo.int/ipdl>.*

* cited by examiner

Primary Examiner—Alan P. Douglas

Assistant Examiner—Lavone D. Tabor

(74) *Attorney, Agent, or Firm*—Rader, Fishman & Grauer PLLC

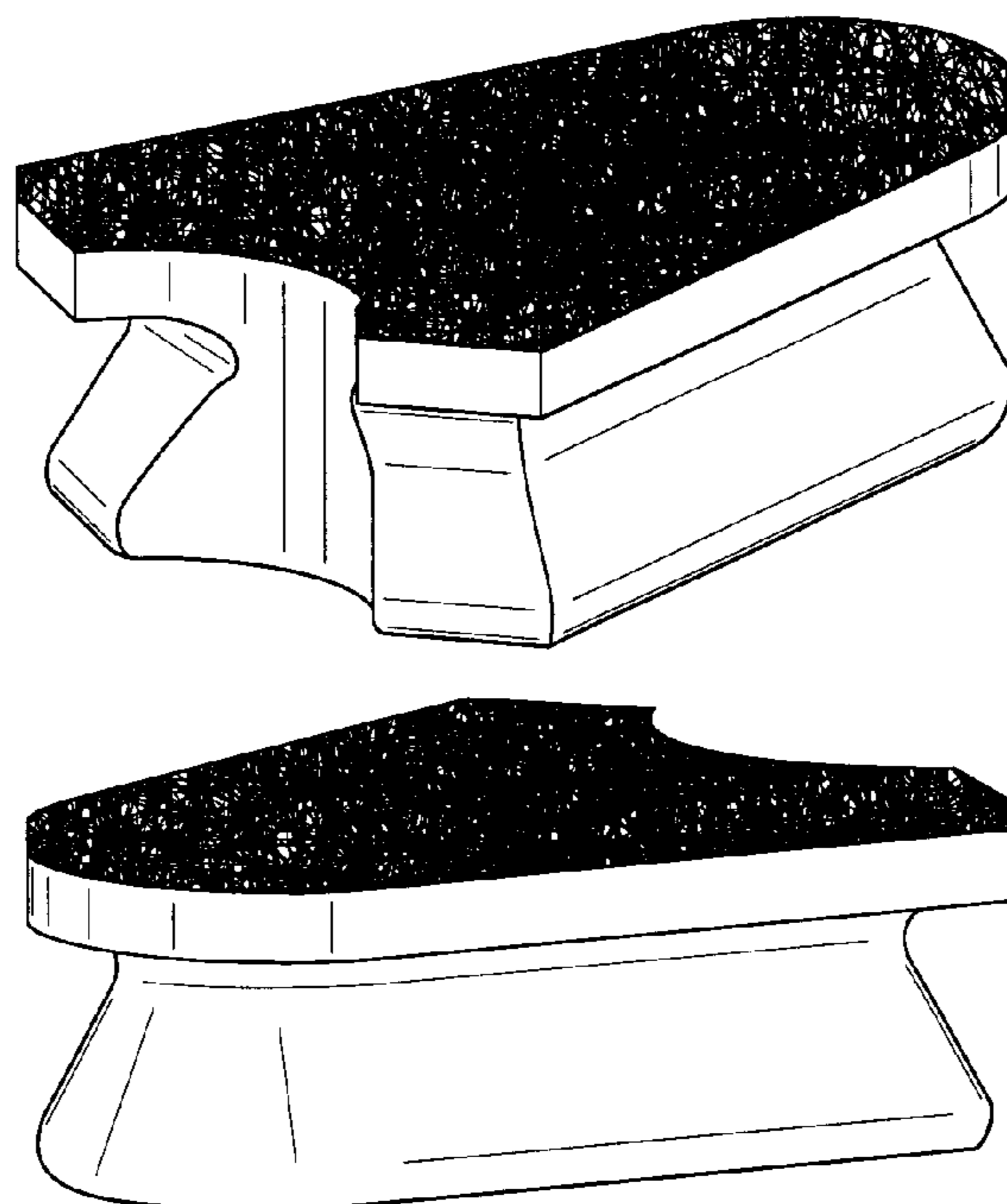
(57) **CLAIM**

The ornamental design for a sponge, as shown and described.

DESCRIPTION

FIG. 1 is a rear perspective view of the sponge design of the present invention;
 FIG. 2 is a front perspective view of the sponge design of the present invention;
 FIG. 3 is a top view of the sponge design of the present invention;
 FIG. 4 is a bottom view of the sponge design of the present invention;
 FIG. 5 is a side view of the sponge design of the present invention;
 FIG. 6 is a rear view of the sponge design of the present invention; and,
 FIG. 7 is a front view of the sponge design of the present invention.

1 Claim, 4 Drawing Sheets



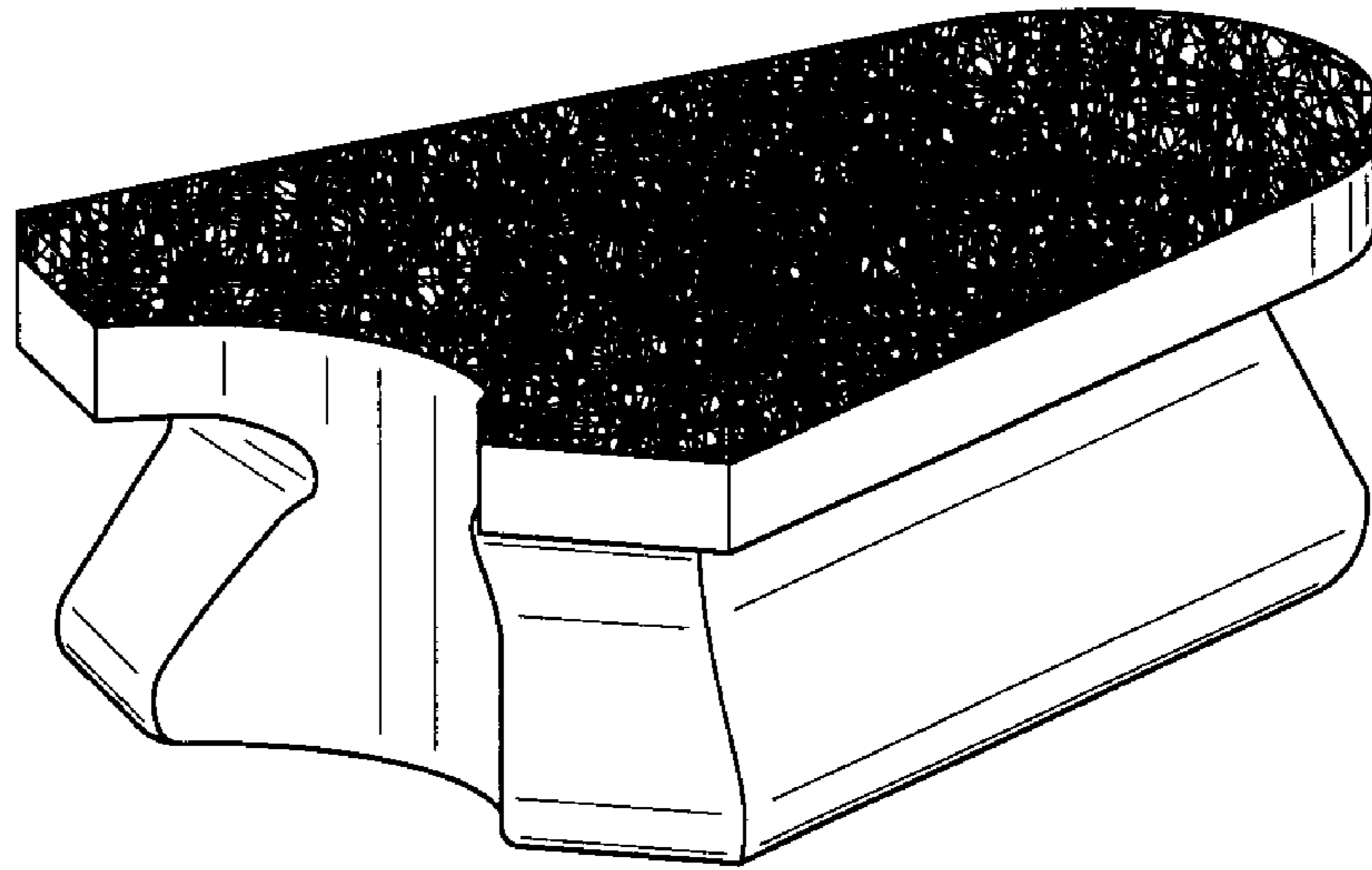


FIG. 1

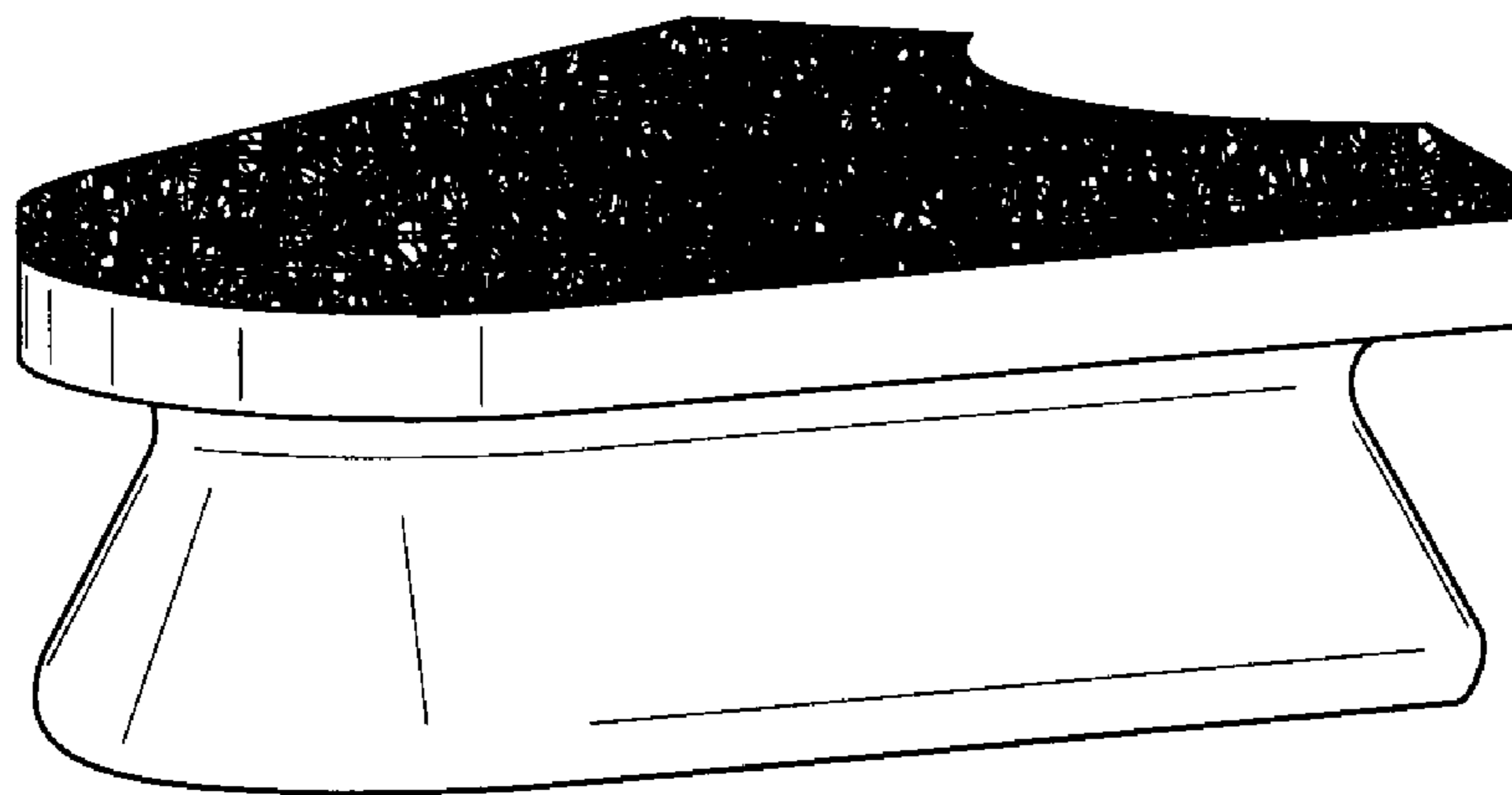


FIG. 2

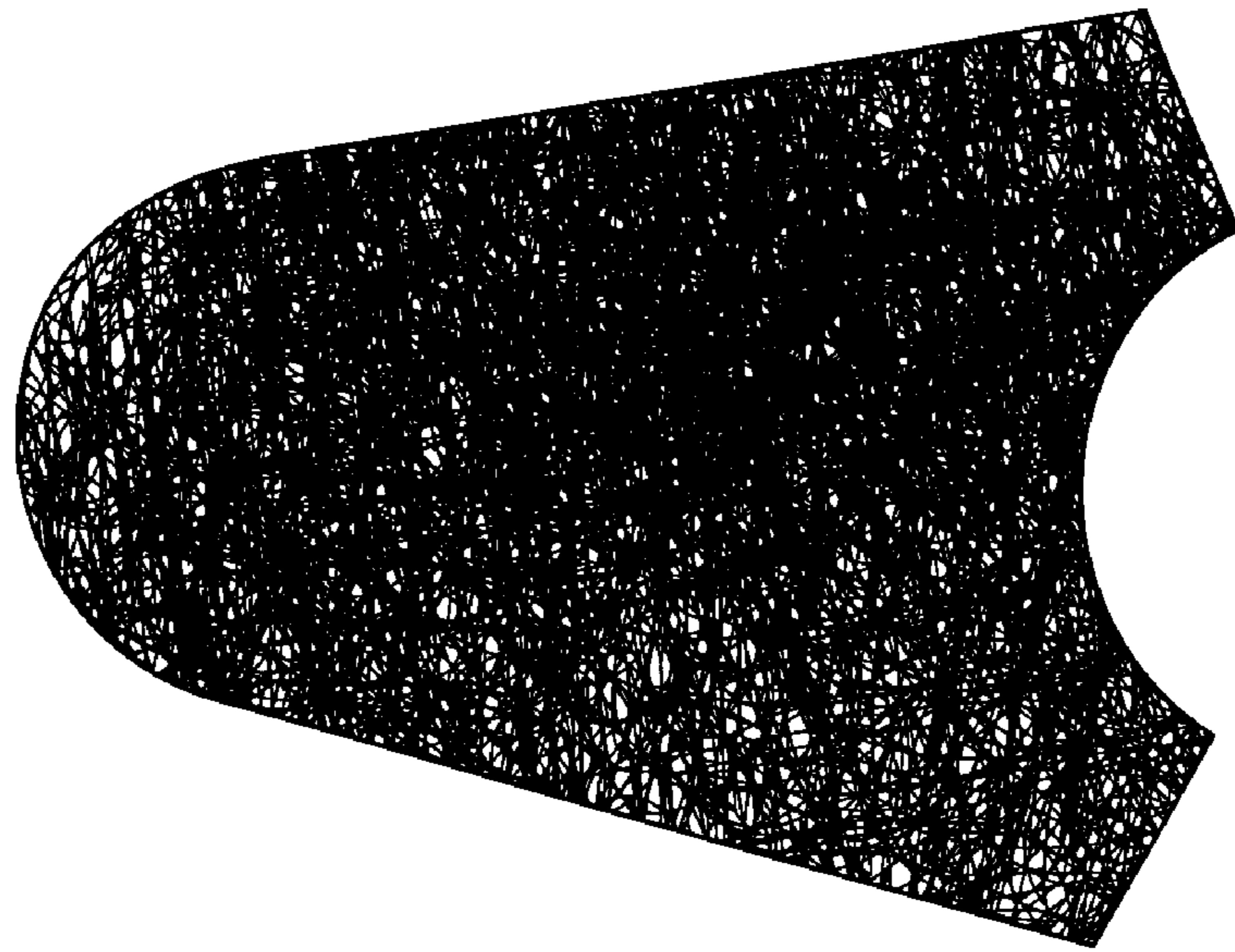


FIG. 3

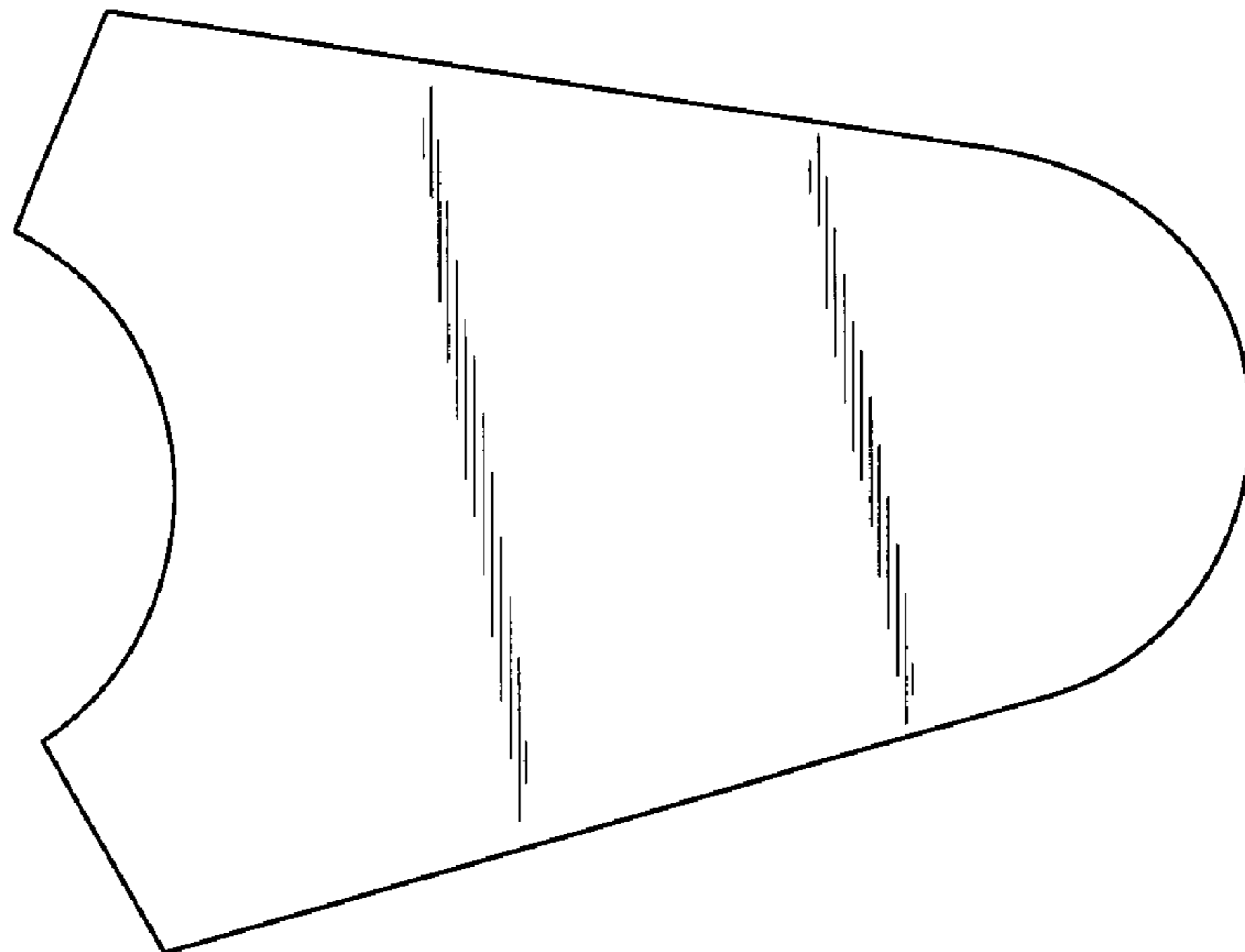


FIG. 4

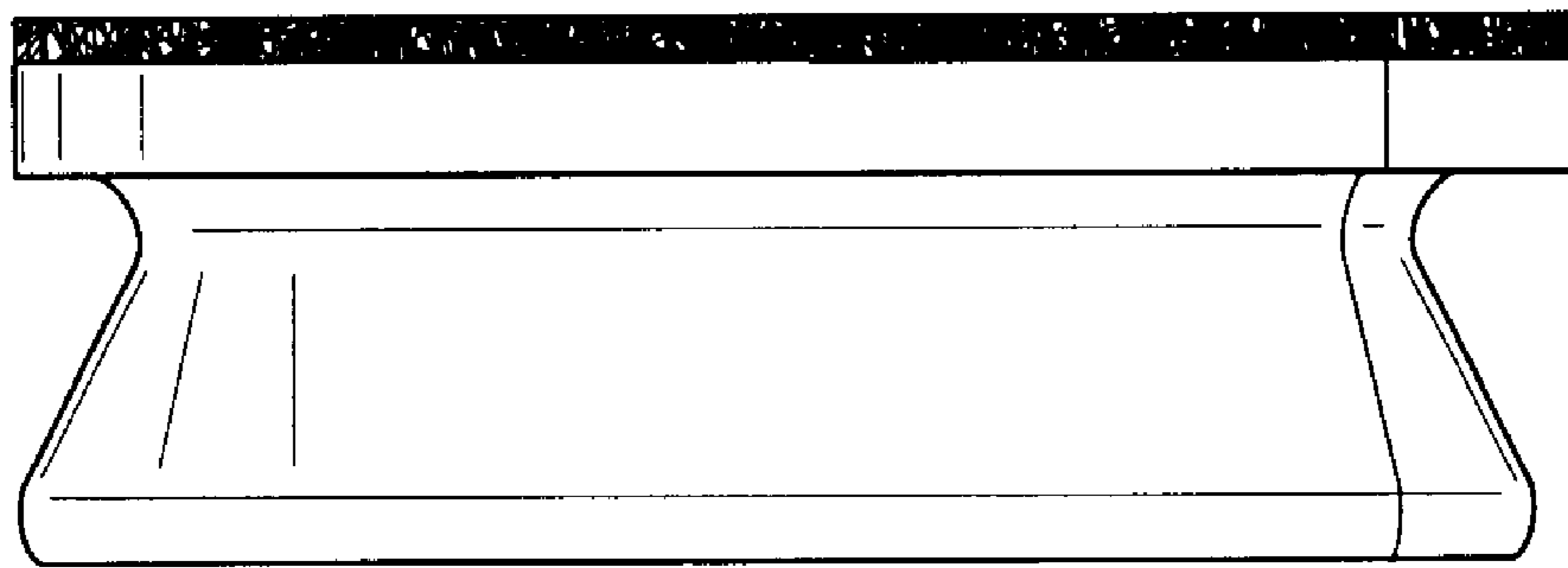


FIG. 5

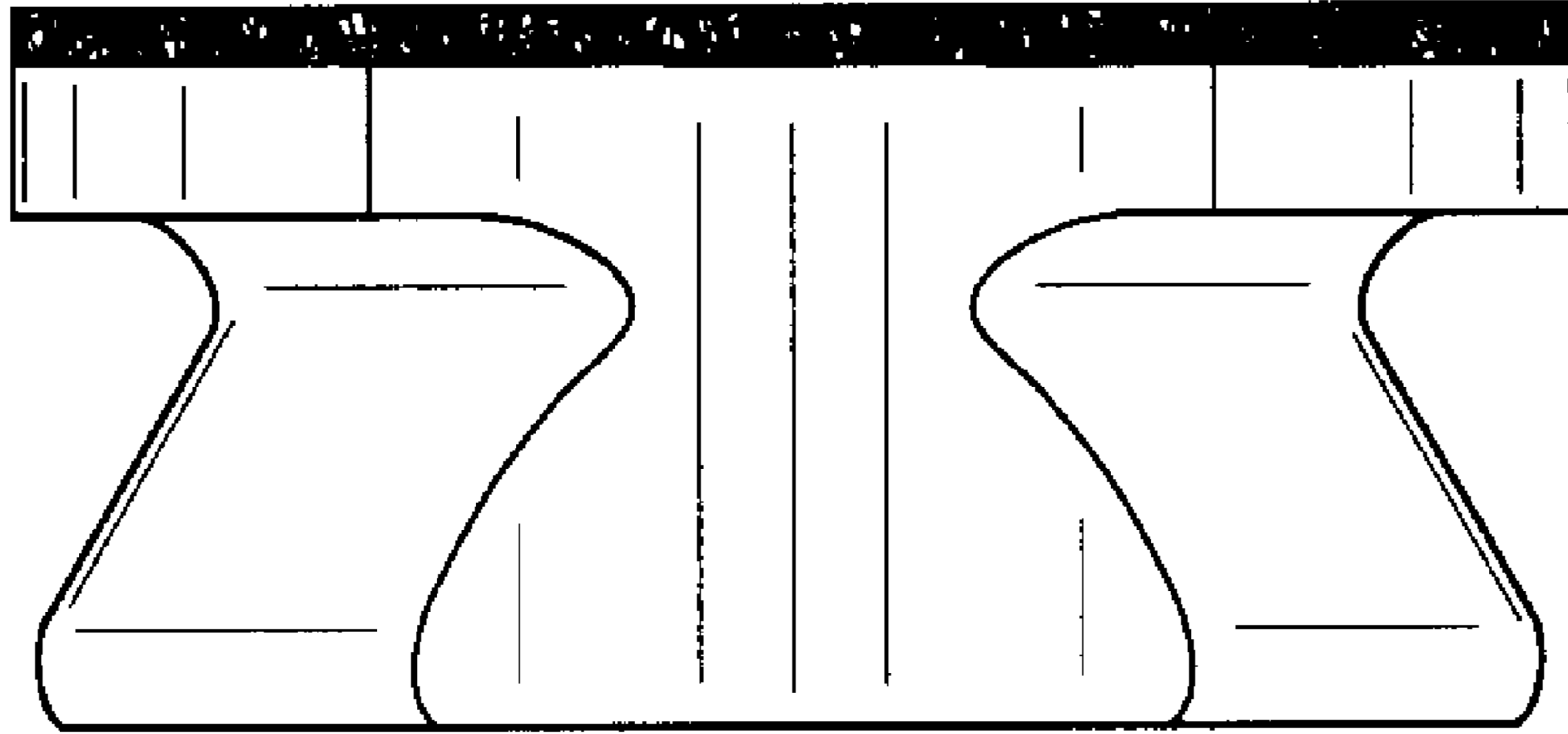


FIG. 6

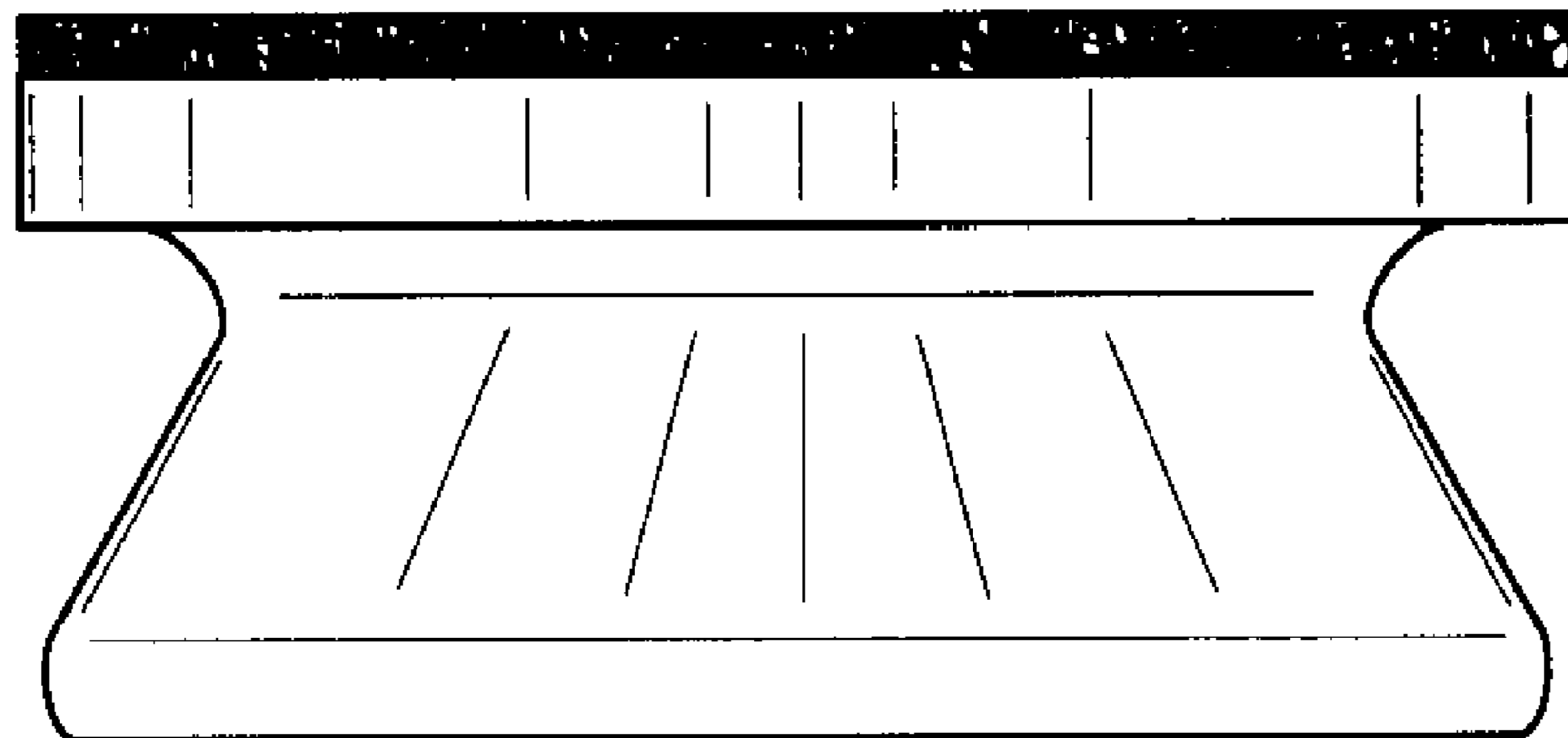


FIG. 7