



US00D514755S

(12) **United States Design Patent**
Essenburg

(10) **Patent No.:** **US D514,755 S**
(45) **Date of Patent:** **** Feb. 7, 2006**

(54) **CAR WASH EQUIPMENT FRAME**

(75) **Inventor:** **Ryan J. Essenburg**, Holland, MI (US)

(73) **Assignee:** **VQ, Inc.**, Holland, MI (US)

(**) **Term:** **14 Years**

(21) **Appl. No.:** **29/196,269**

(22) **Filed:** **Dec. 22, 2003**

(51) **LOC (8) Cl.** **15-05**

(52) **U.S. Cl.** **D32/4**

(58) **Field of Classification Search** D32/4,
D32/25; 15/97.3, 53.1, 53.2, 53.3; 134/45,
134/123, 56 R, 58 R; 248/637, 672; 239/273,
239/289, 275, 279, 280, 602, DIG. 4; 4/612,
4/615, 900; D23/213-216, 304, 283
See application file for complete search history.

(56) **References Cited**

U.S. PATENT DOCUMENTS

2,221,876	A	*	11/1940	Mackin	134/45
2,665,171	A	*	1/1954	Stievater	239/280
2,676,600	A	*	4/1954	Vani et al.	134/123
3,170,171	A	*	2/1965	Mayhew et al.	4/615
3,401,707	A	*	9/1968	Horwitz	134/123
4,439,883	A	*	4/1984	Hanna	15/97.3
D277,610	S	*	2/1985	Arginsky	D23/216

D314,845	S		2/1991	Seamster, Jr.		
D327,130	S		6/1992	Belanger et al.		
D415,863	S		10/1999	Cote et al.		
6,000,631	A	*	12/1999	Lamminen et al.	134/123
6,592,055	B1	*	7/2003	Marino	239/275
D481,103	S	*	10/2003	West et al.	D23/214
D488,208	S	*	4/2004	Cook	D23/214
2004/0144858	A1	*	7/2004	Sigler	239/289

* cited by examiner

Primary Examiner—Robert A. Delehanty

(74) *Attorney, Agent, or Firm*—Warner Norcross & Judd LLP

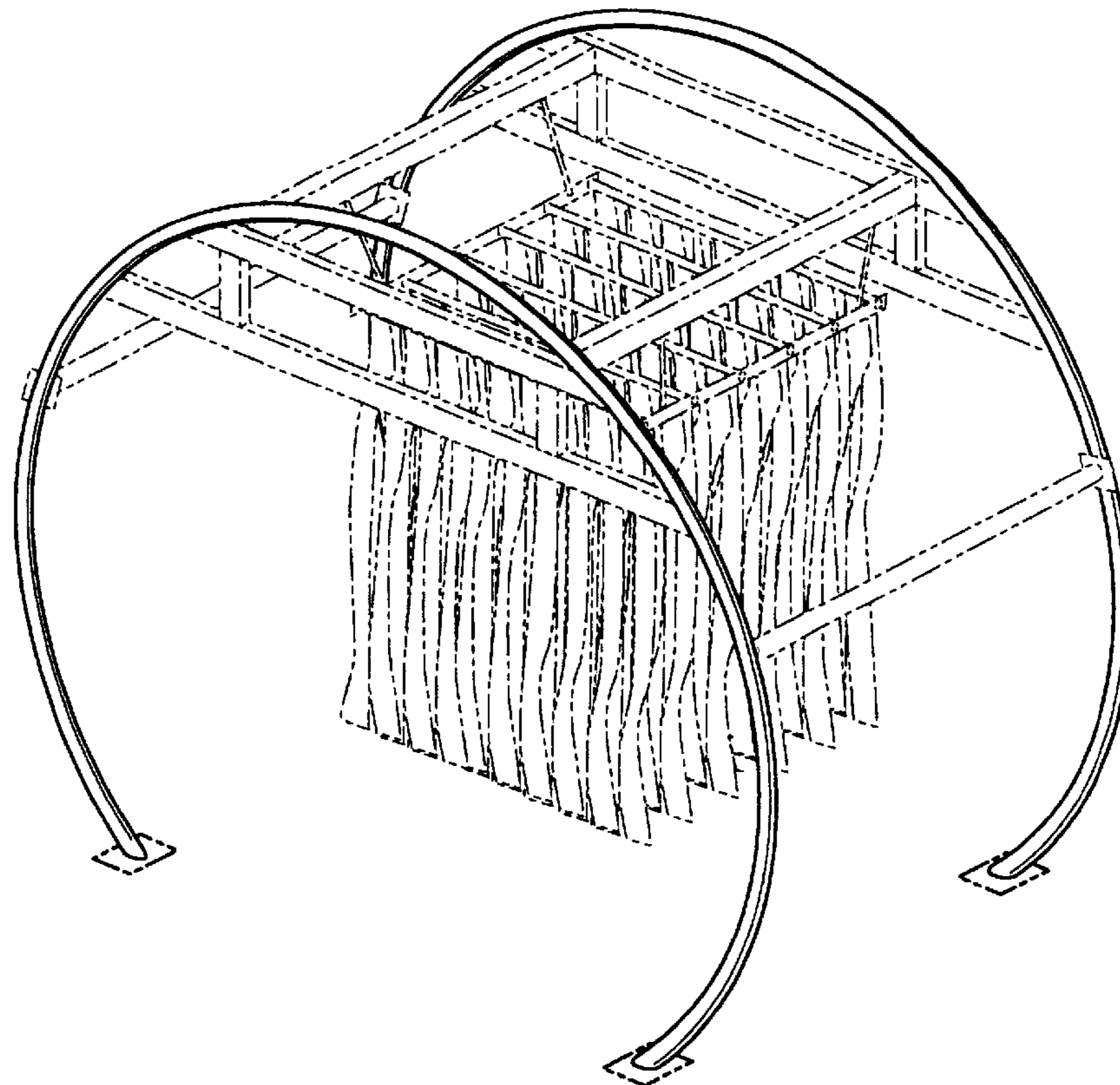
(57) **CLAIM**

The ornamental design for car wash equipment frame, as shown and described.

DESCRIPTION

FIG. 1 is a perspective view of a car wash equipment frame embodying the new design;
FIG. 2 is a front elevational view thereof;
FIG. 3 is a right side elevational view thereof, the left side elevational view being a mirror image thereof;
FIG. 4 is a top plan view thereof; and,
FIG. 5 is a bottom plan view thereof.
The broken lines in FIGS. 1-5 represent environmental structure and form no part of the claimed design.

1 Claim, 3 Drawing Sheets



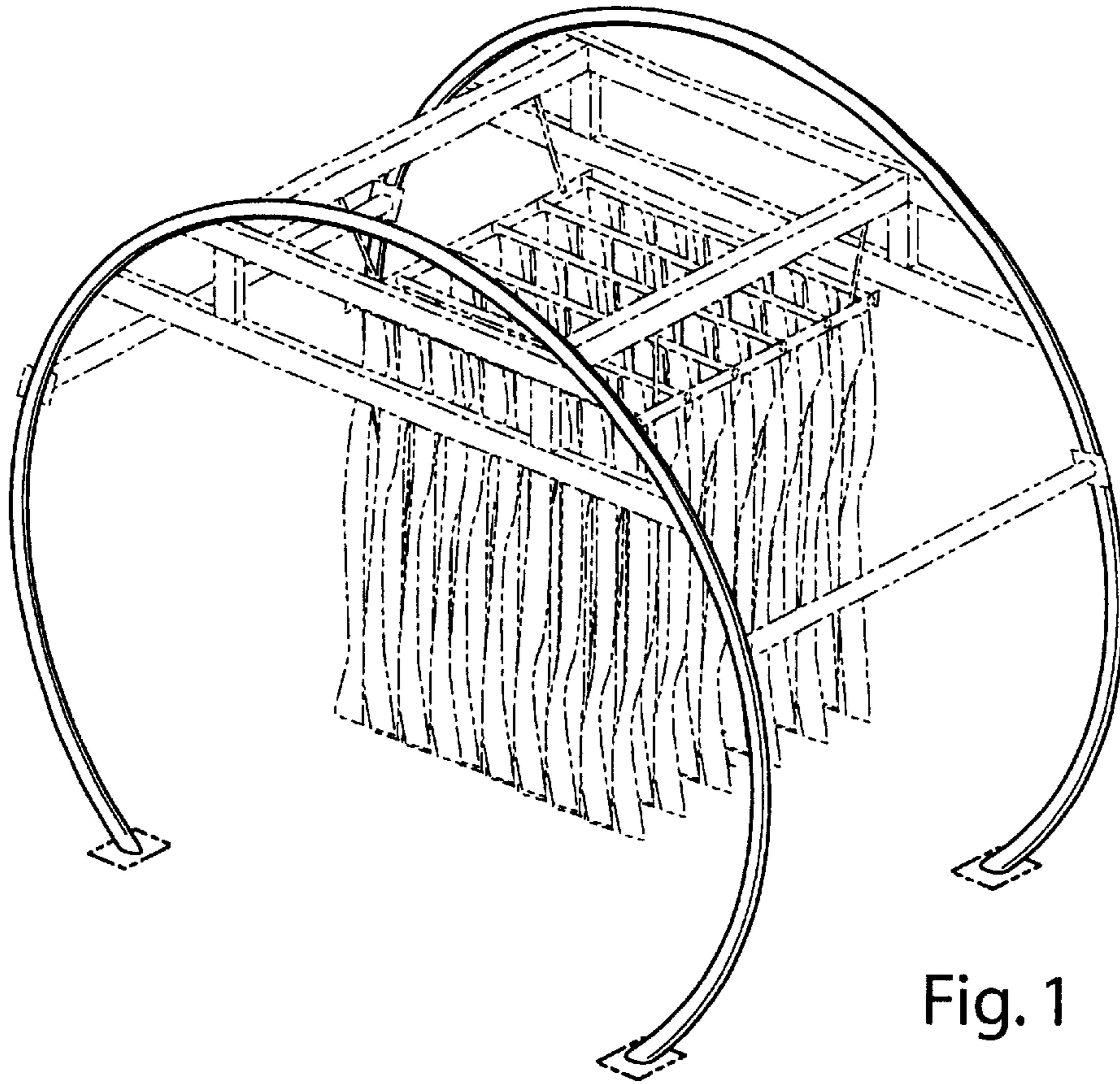


Fig. 1

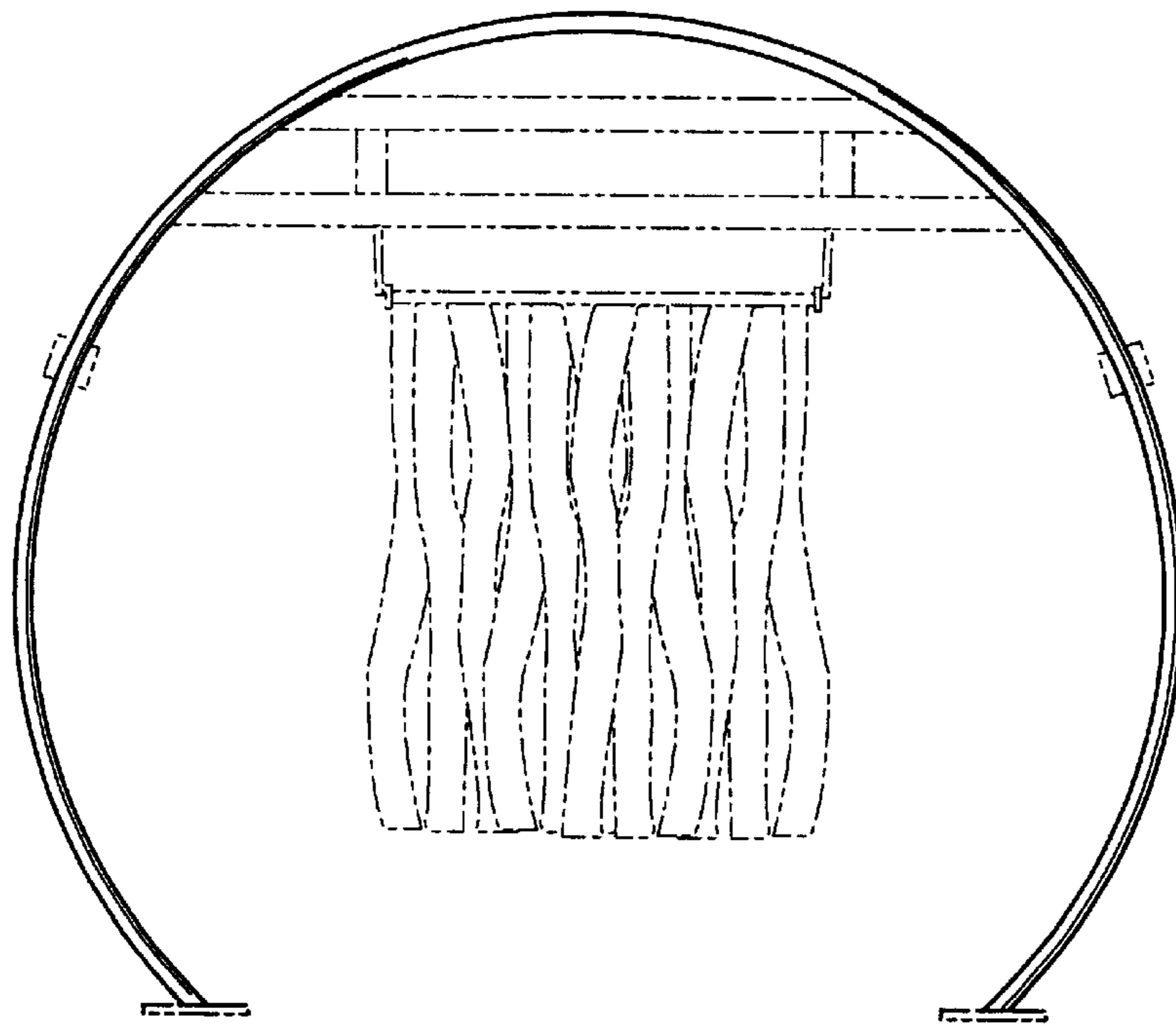


Fig. 2

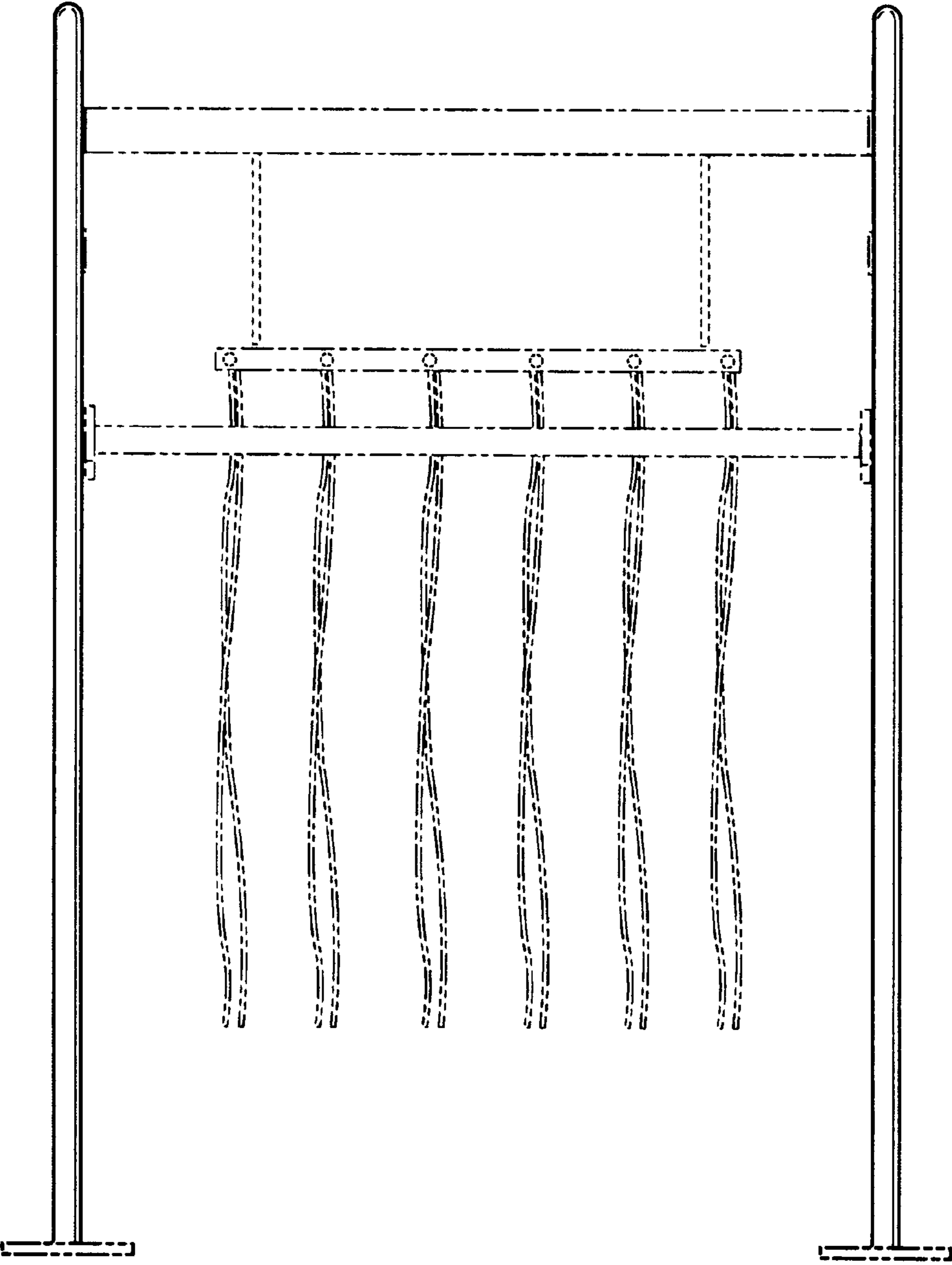


Fig. 3

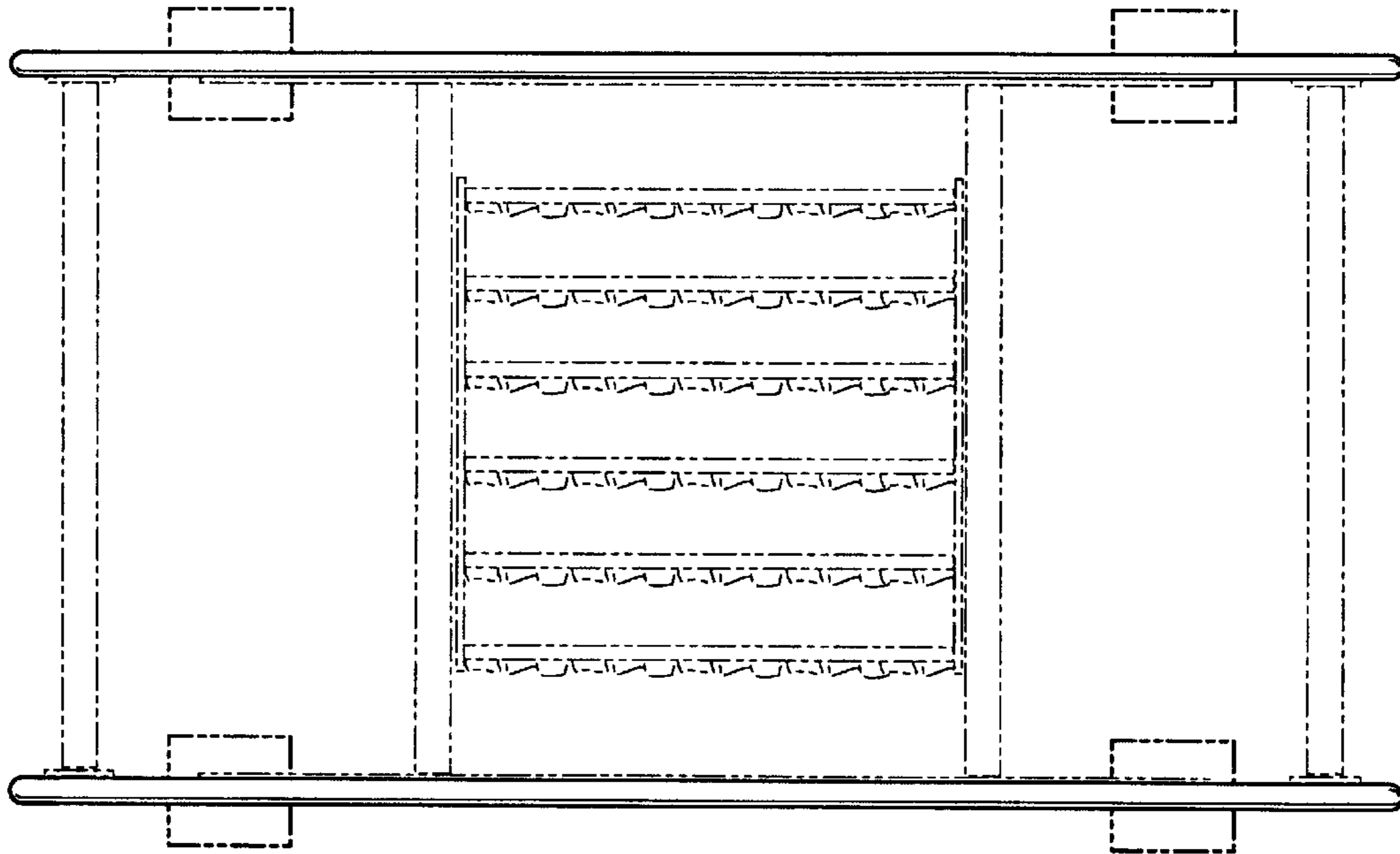


Fig. 4

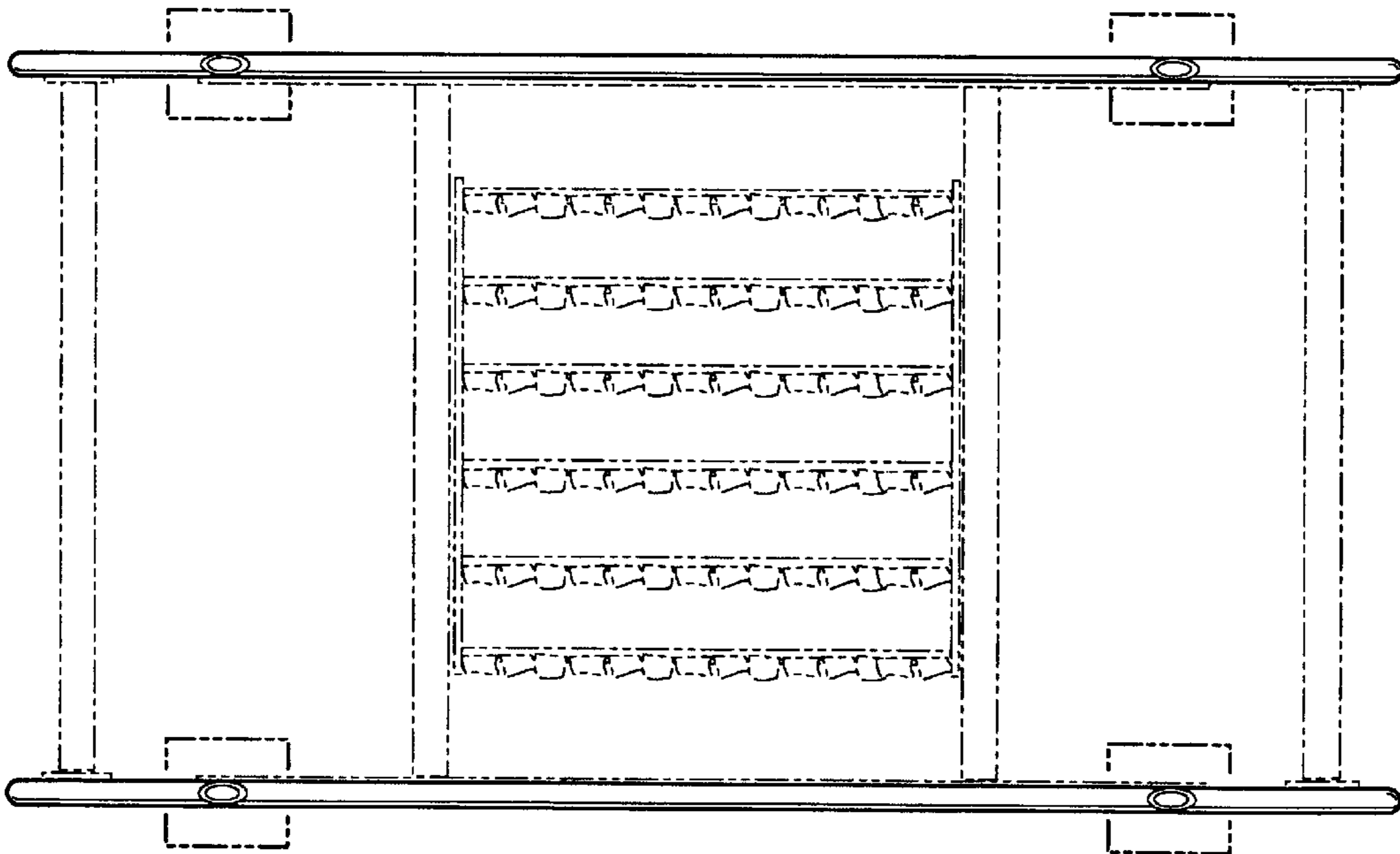


Fig. 5