



US00D514750S

(12) **United States Design Patent**  
**Matula**

(10) **Patent No.: US D514,750 S**  
(45) **Date of Patent: \*\* Feb. 7, 2006**

(54) **FREEZABLE PET BOWL WITH SCROLLED BOTTOM**

(76) **Inventor: Laurel Matula, 2703 W. Dogwood, Rogers, AR (US) 72758**

(\*\*) **Term: 14 Years**

(21) **Appl. No.: 29/203,955**

(22) **Filed: Apr. 21, 2004**

(51) **LOC (8) Cl. .... 30-03**

(52) **U.S. Cl. .... D30/129**

(58) **Field of Classification Search** ..... D30/121,  
D30/129, 132; 119/51.5, 61.5, 61.54; D7/553.8,  
D7/565, 568, 588, 562; D9/429  
See application file for complete search history.

(56) **References Cited**

**U.S. PATENT DOCUMENTS**

1,584,888 A	5/1926	Oster	
2,771,754 A	11/1956	Winkler	65/15
2,810,276 A	10/1957	Murray	65/15
4,691,664 A	9/1987	Crowell	119/61
4,803,954 A	2/1989	Welch et al.	119/61

4,889,302 A	12/1989	Tucker	248/146
4,899,693 A	2/1990	Arnold	119/1
5,069,167 A	12/1991	Kasselman	119/61
5,372,274 A	12/1994	Freedland	220/571
6,230,653 B1	5/2001	Tobin	119/72
D454,990 S	* 3/2002	Lorenzana	D30/129
D491,696 S	* 6/2004	Cole et al.	D30/129

\* cited by examiner

*Primary Examiner*—Alan P. Douglas

*Assistant Examiner*—Susan Moon Lee

(74) *Attorney, Agent, or Firm*—Keisling Pieper & Scott PLC; David B. Pieper; Trent C. Keisling

(57) **CLAIM**

The design for a freezable pet bowl with scrolled bottom, as shown and described.

**DESCRIPTION**

FIG. 1 is an elevated top view of a freezable pet bowl with scrolled bottom showing my new design; FIG. 2 is a front view thereof, the left side, right side, and rear views being identical; and, FIG. 3 is an elevated bottom view thereof.

**1 Claim, 1 Drawing Sheet**

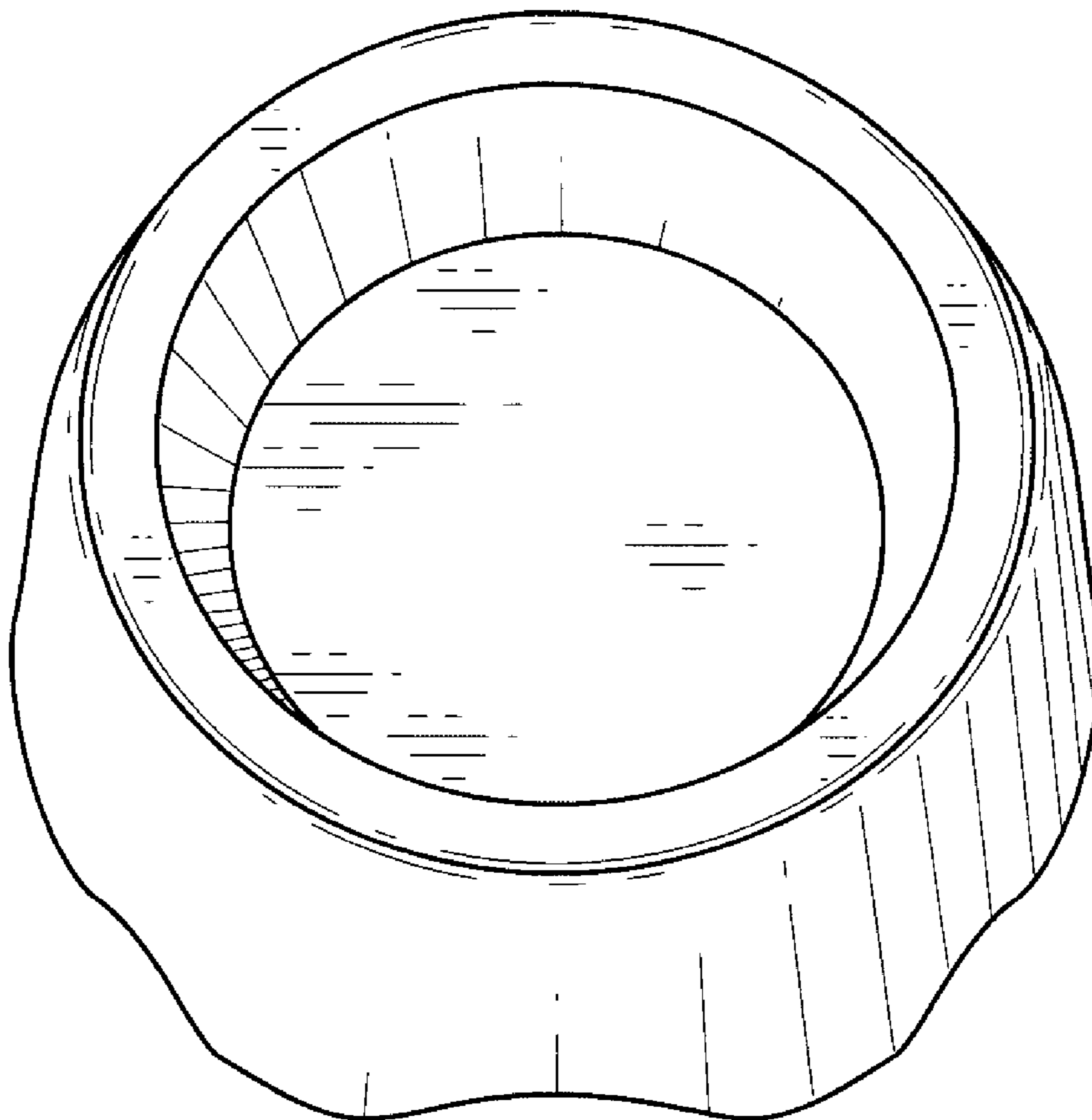


FIG. 1

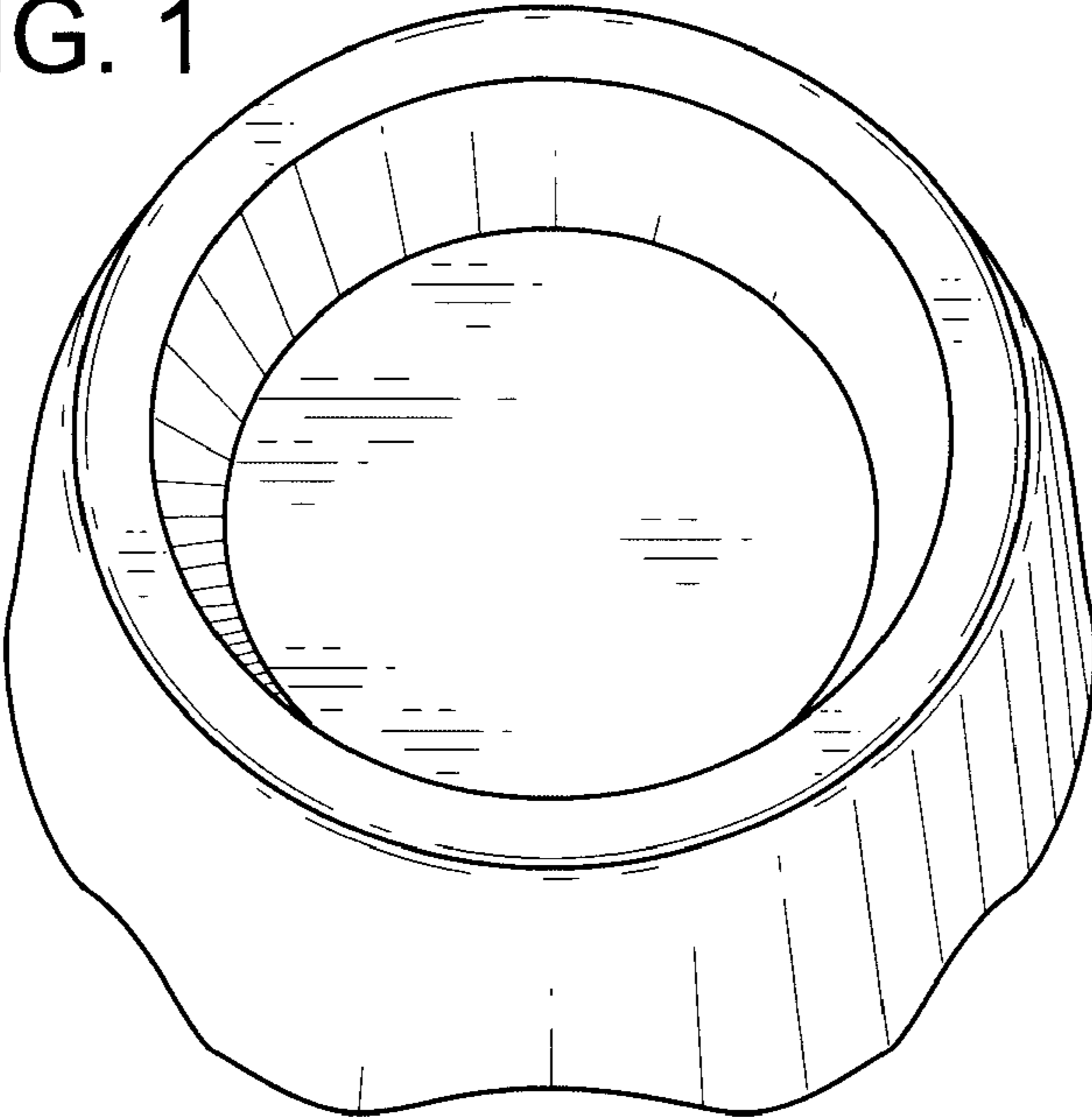


FIG. 2

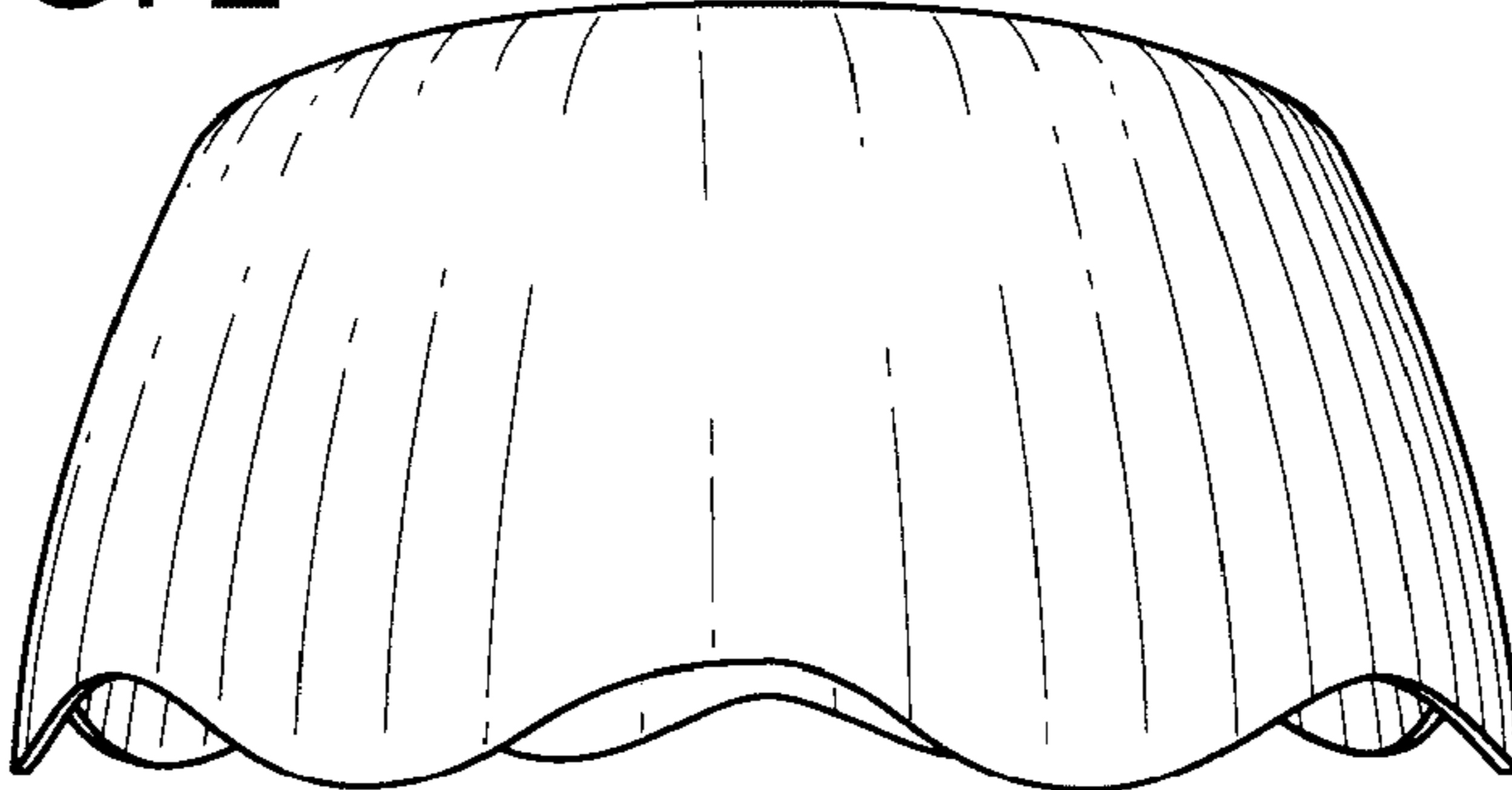


FIG. 3

