

US00D514749S

(12) **United States Design Patent**  
**Fort, II et al.**

(10) **Patent No.:** **US D514,749 S**  
(45) **Date of Patent:** **\*\* Feb. 7, 2006**

(54) **HUMMINGBIRD FEEDER**

(75) Inventors: **W. Grady Fort, II**, Mason, TX (US);  
**Randy Alan Love**, Neosho, MO (US);  
**Michael Ray Stephens**, Neosho, MO (US)

(73) Assignee: **Daisy Manufacturing Co.**, Rogers, AK (US)

(\*\*) Term: **14 Years**

(21) Appl. No.: **29/214,196**

(22) Filed: **Sep. 30, 2004**

(51) **LOC (8) Cl.** ..... **30-03**

(52) **U.S. Cl.** ..... **D30/124**

(58) **Field of Classification Search** ..... D30/121,  
D30/124-128, 133; 119/51.01, 52.2-52.4,  
119/57.8-57.9

See application file for complete search history.

(56) **References Cited**

**U.S. PATENT DOCUMENTS**

3,292,589	A	*	12/1966	Williams	.....	119/77
3,913,527	A	*	10/1975	Kilham	.....	119/74
D239,182	S	*	3/1976	Kilham	.....	D30/125
D252,288	S	*	7/1979	Kilham	.....	D30/125
5,269,258	A	*	12/1993	Brown	.....	119/57.9

5,303,674	A		4/1994	Hyde, Jr.	
D360,710	S	*	7/1995	Colwell	..... D30/121
D368,336	S	*	3/1996	Brown	..... D30/121
D382,376	S	*	8/1997	Bescherer	..... D30/124
6,739,284	B1		5/2004	Olive	
2001/0029899	A1		10/2001	Arlitt	

\* cited by examiner

*Primary Examiner*—Alan P. Douglas

*Assistant Examiner*—Susan Moon Lee

(74) *Attorney, Agent, or Firm*—Pillsbury Winthrop Shaw Pittman LLP

(57) **CLAIM**

We claim the ornamental design for a hummingbird feeder, substantially as shown and described.

**DESCRIPTION**

FIG. 1 is a perspective view of the hummingbird feeder showing our new design.

FIG. 2 is a side view of the hummingbird feeder;

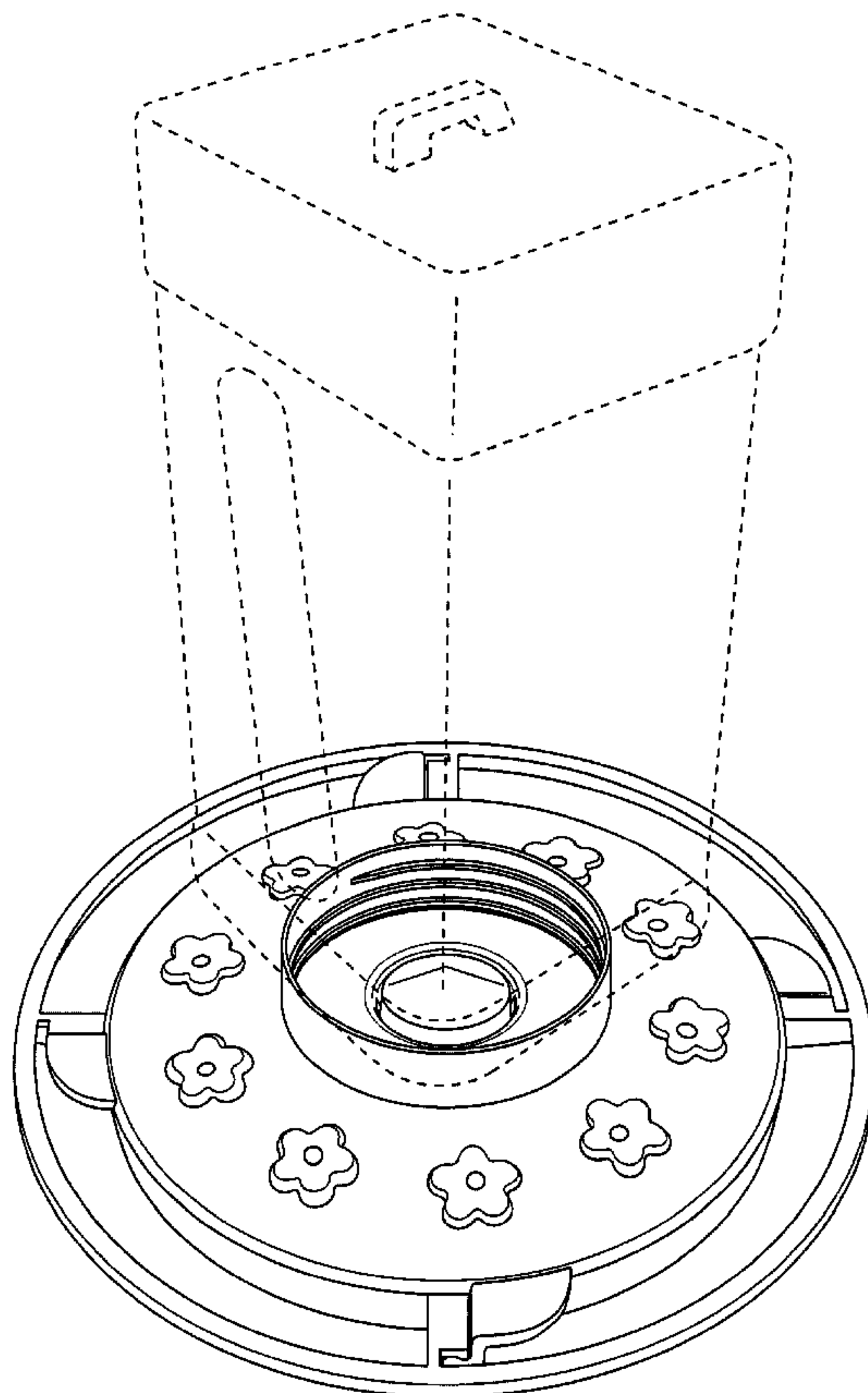
FIG. 3 is a top view of the hummingbird feeder;

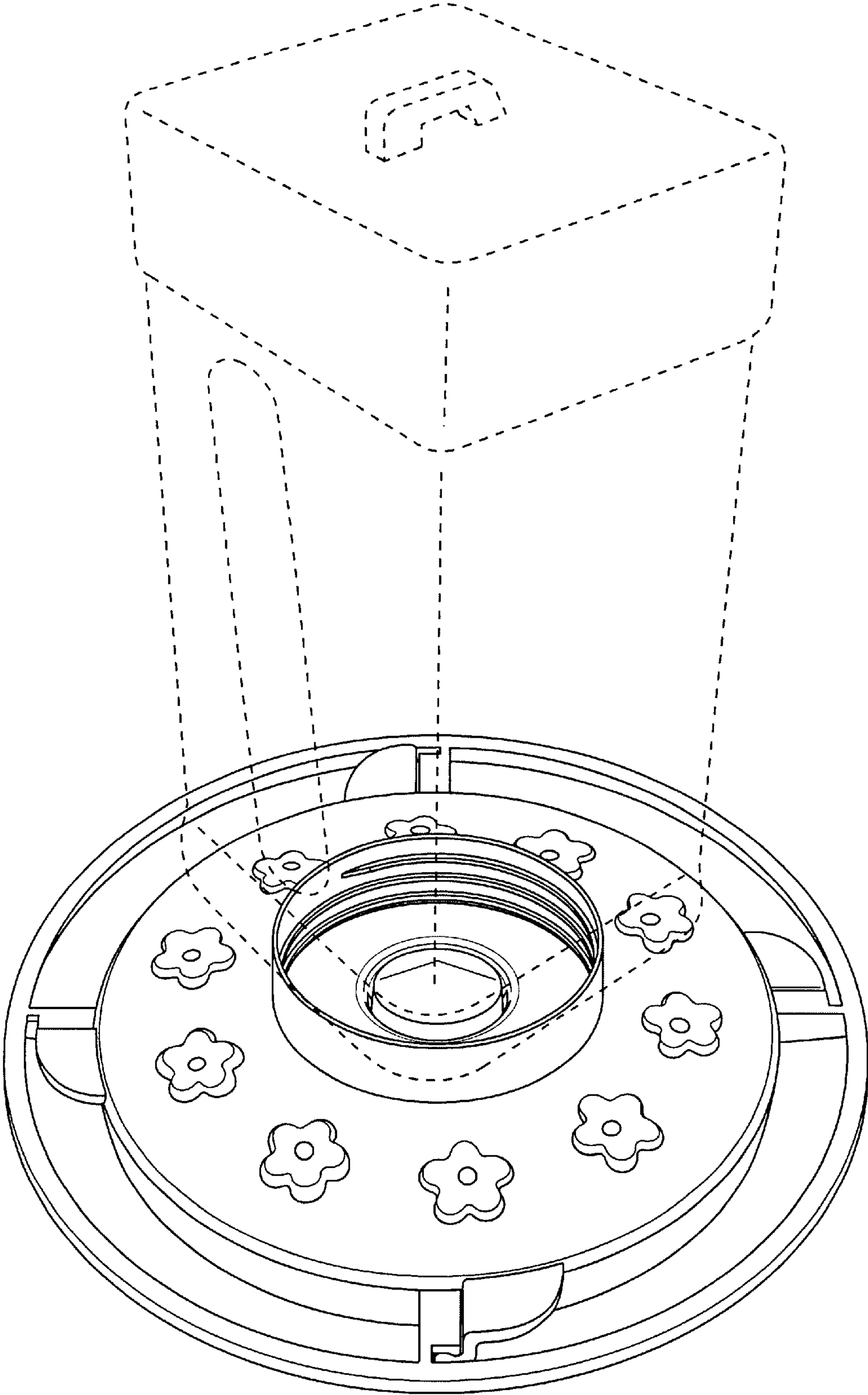
FIG. 4 is a bottom plan view of the hummingbird feeder; and,

FIG. 5 is an exploded view of the hummingbird feeder.

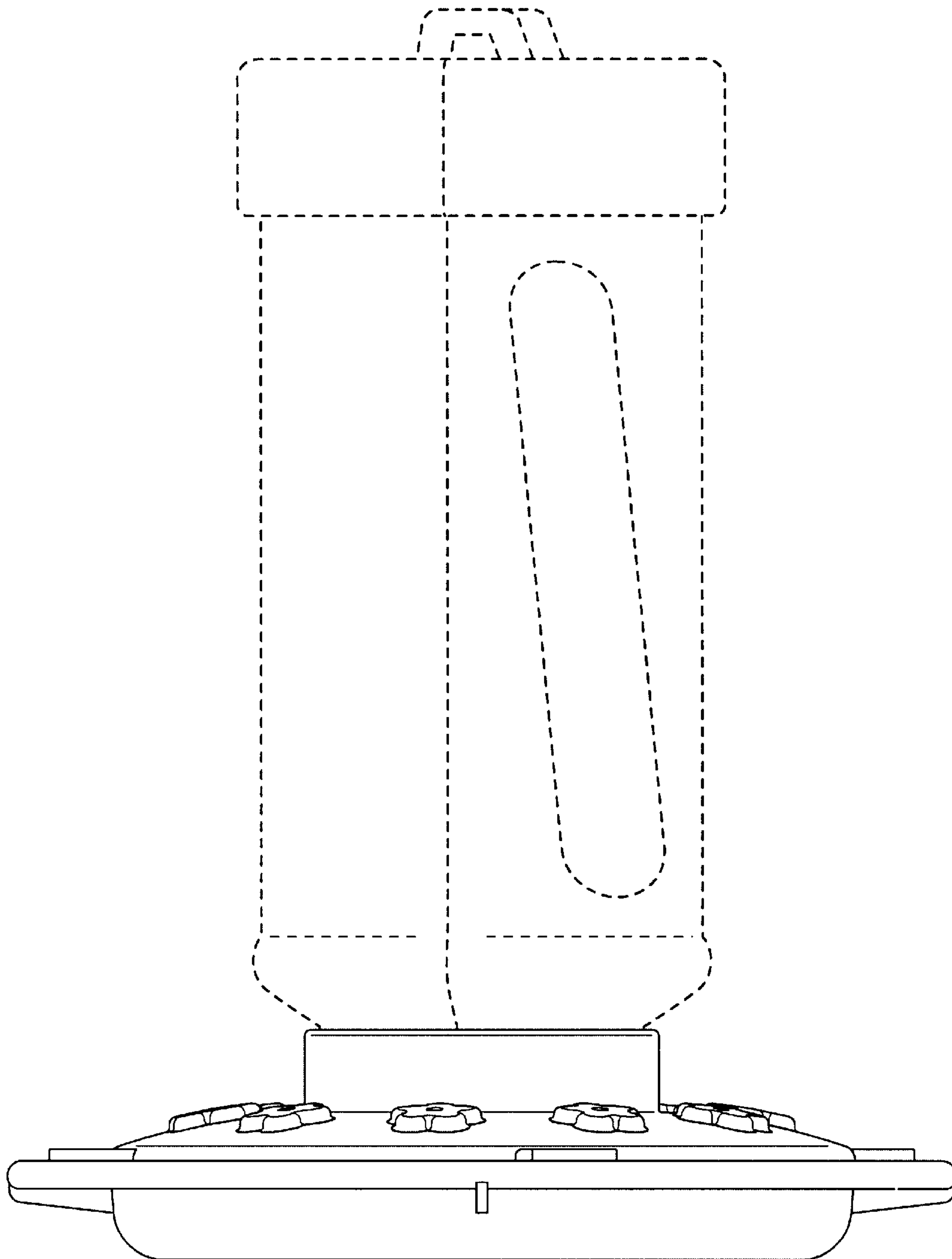
The broken lines shown in FIGS. 1, 2, 3, and 5 are for illustrative purposes only and form no part of the claimed design.

**1 Claim, 5 Drawing Sheets**

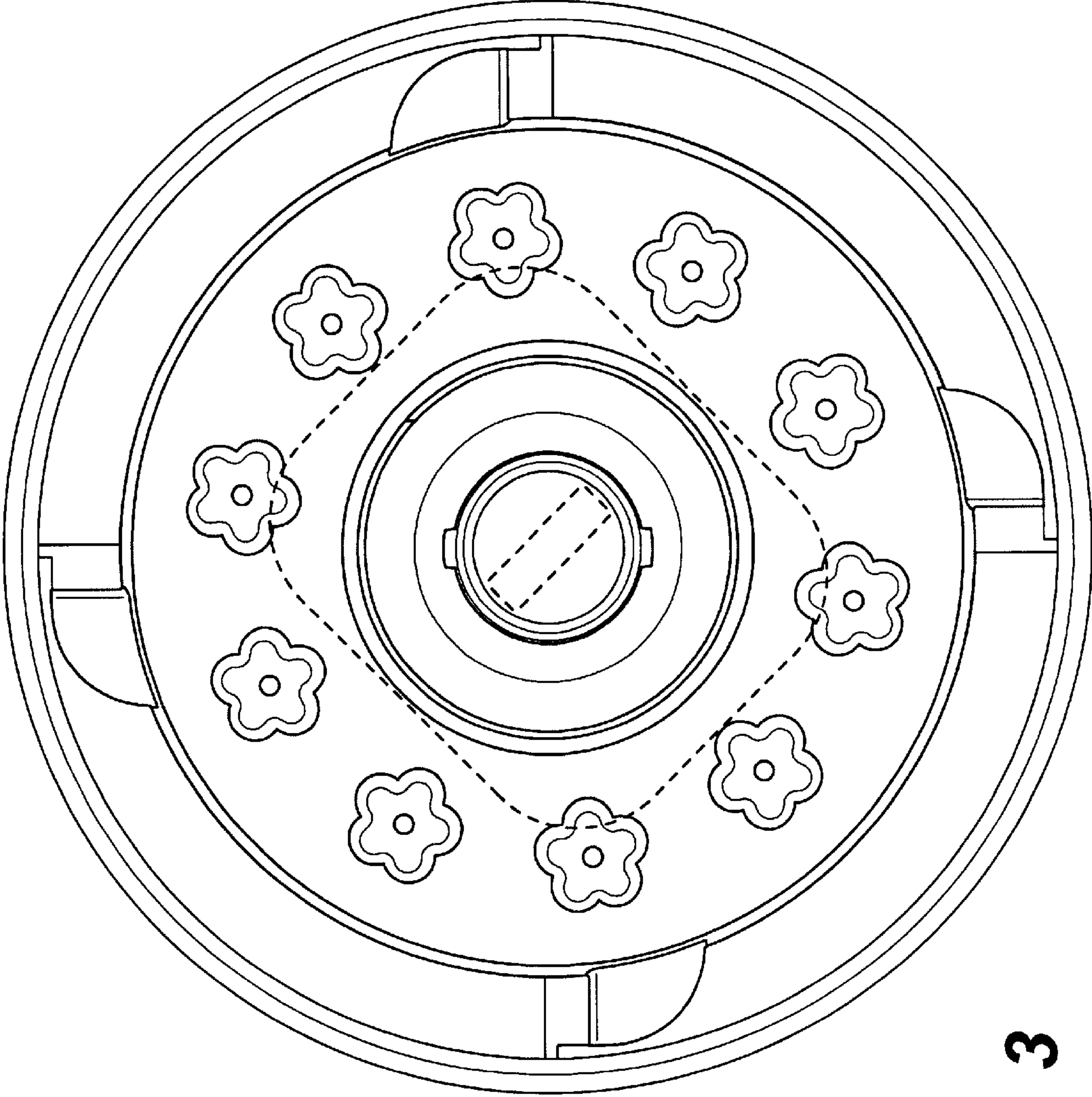




**FIG. 1**

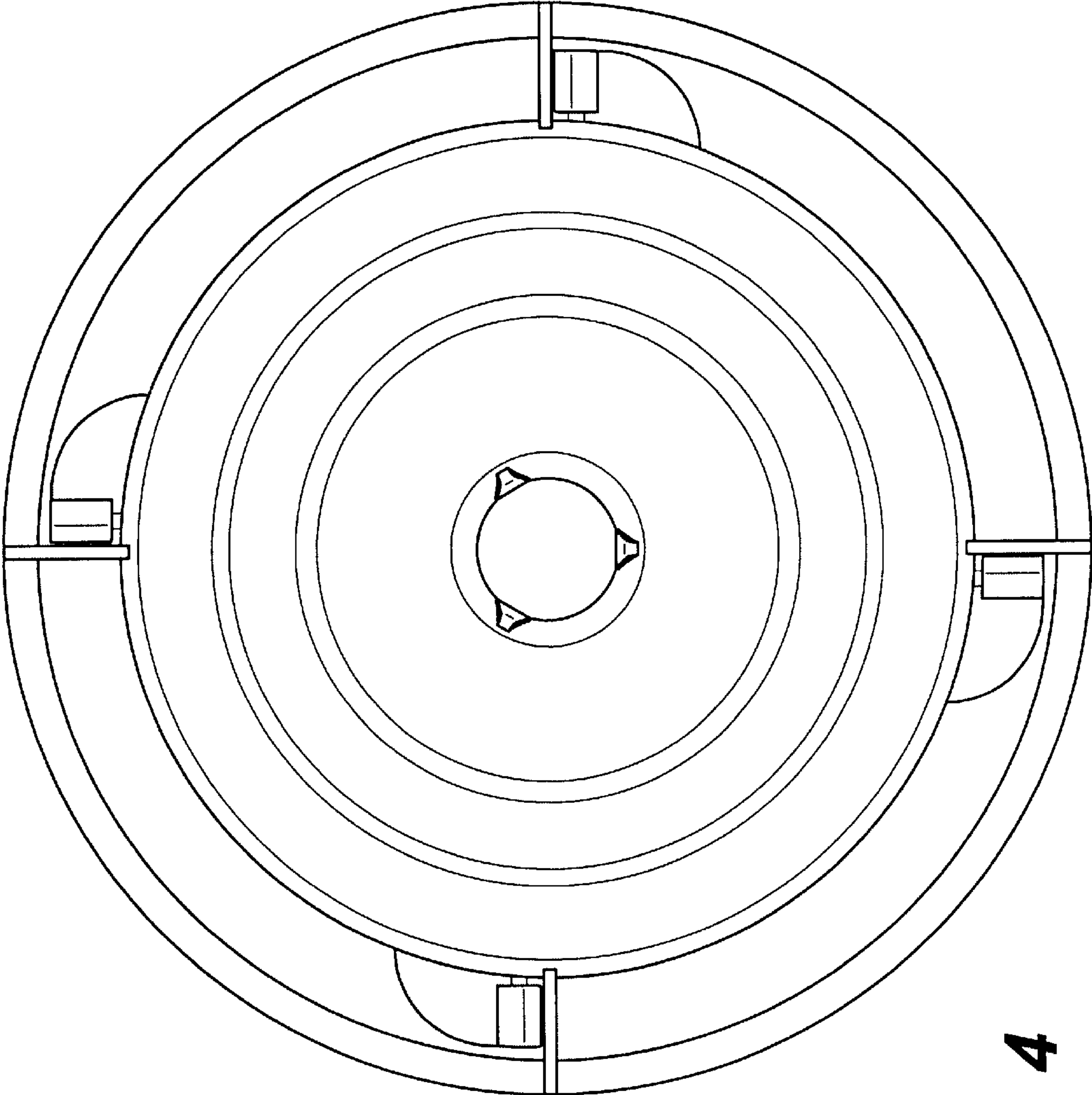


**FIG. 2**

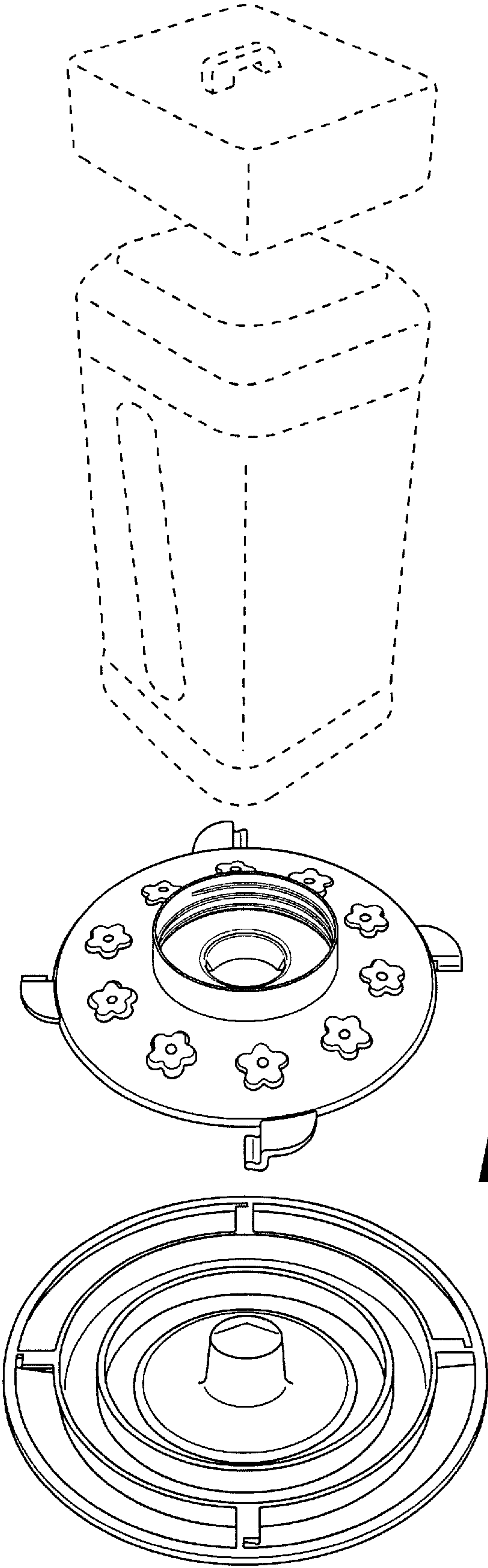


**FIG. 3**





**FIG. 4**



**FIG. 5**