



US00D514747S

(12) **United States Design Patent**
Bertoli et al.

(10) **Patent No.:** **US D514,747 S**
(45) **Date of Patent:** **** Feb. 7, 2006**

(54) **ANIMAL MOBILE HOME**

(75) Inventors: **Giovanni Bertoli**, Pompiano (IT);
Emanuele Bianchi, Conselve (IT)

(73) Assignee: **Eurogroup Rappresentanze S.N.C.**,
Pernumia (IT)

(**) Term: **14 Years**

(21) Appl. No.: **29/185,147**

(22) Filed: **Jun. 24, 2003**

(30) **Foreign Application Priority Data**

Dec. 31, 2002 (IT) VI2002O0075

(51) **LOC (8) Cl.** **30-02**

(52) **U.S. Cl.** **D30/108; D30/118**

(58) **Field of Classification Search** D30/108-110,
D30/113-114, 116, 118, 161; 119/28.5, 165,
119/452-453, 474, 482, 484, 486, 496-498,
119/500; D3/215; D21/834-838; 130/107-108;
135/115-117

See application file for complete search history.

(56) **References Cited**

U.S. PATENT DOCUMENTS

3,145,719 A * 8/1964 Johnson D21/838

3,847,194 A	*	11/1974	Corigiliano	190/107
4,665,935 A	*	5/1987	Nichols	135/116
D366,511 S	*	1/1996	Coddington, Jr.	D21/834
5,579,799 A	*	12/1996	Zheng	135/117
5,722,446 A	*	3/1998	Zheng	135/116
6,305,396 B1	*	10/2001	Zheng	135/115
6,325,086 B1	*	12/2001	Shinner et al.	135/117
6,328,050 B1	*	12/2001	McConnell	135/116
6,360,760 B1	*	3/2002	Louie et al.	135/137
6,752,163 B2	*	6/2004	Zheng	135/117

* cited by examiner

Primary Examiner—Cathy Anne MacCormac

(74) *Attorney, Agent, or Firm*—Dykema Gossett PLLC

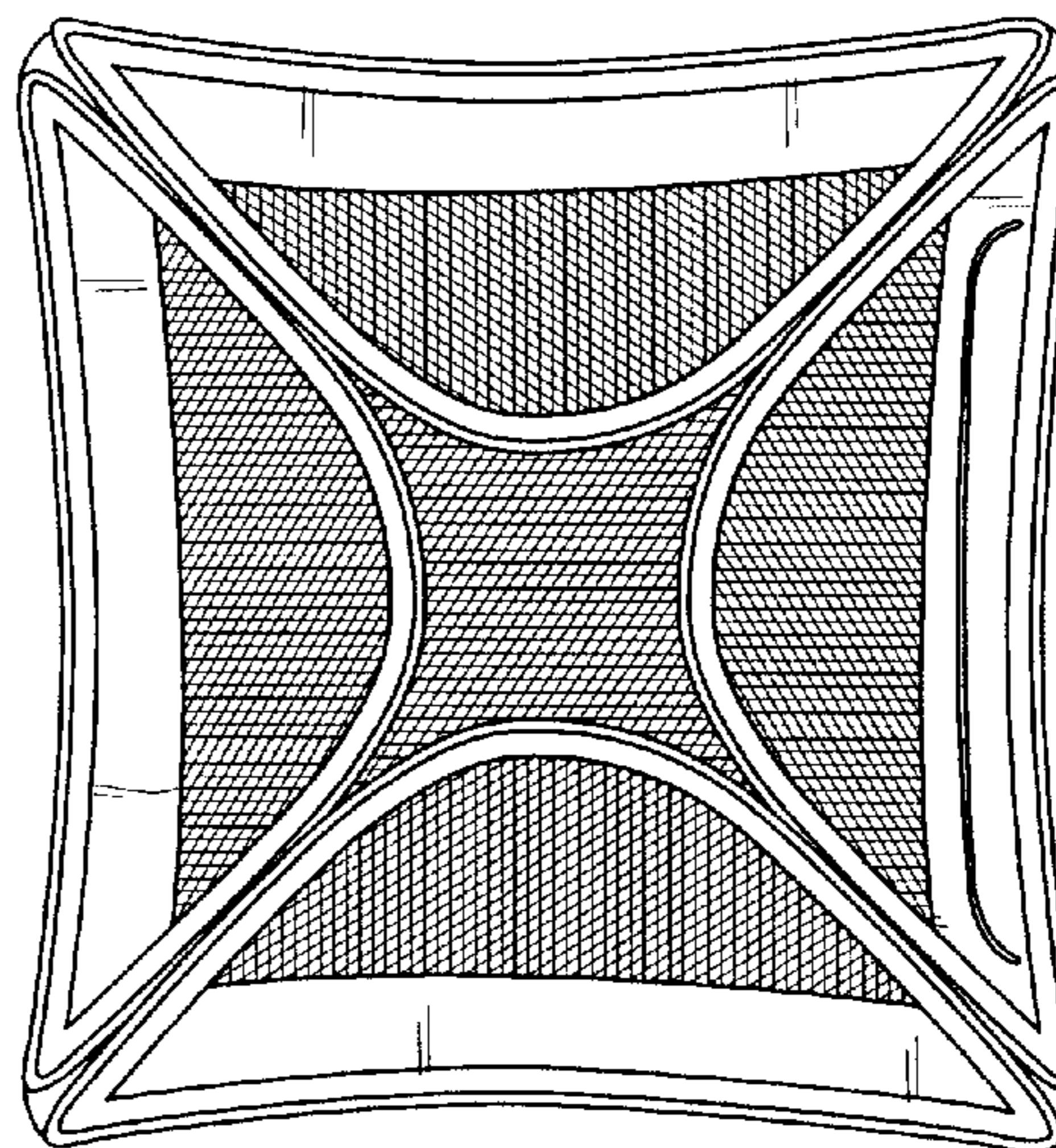
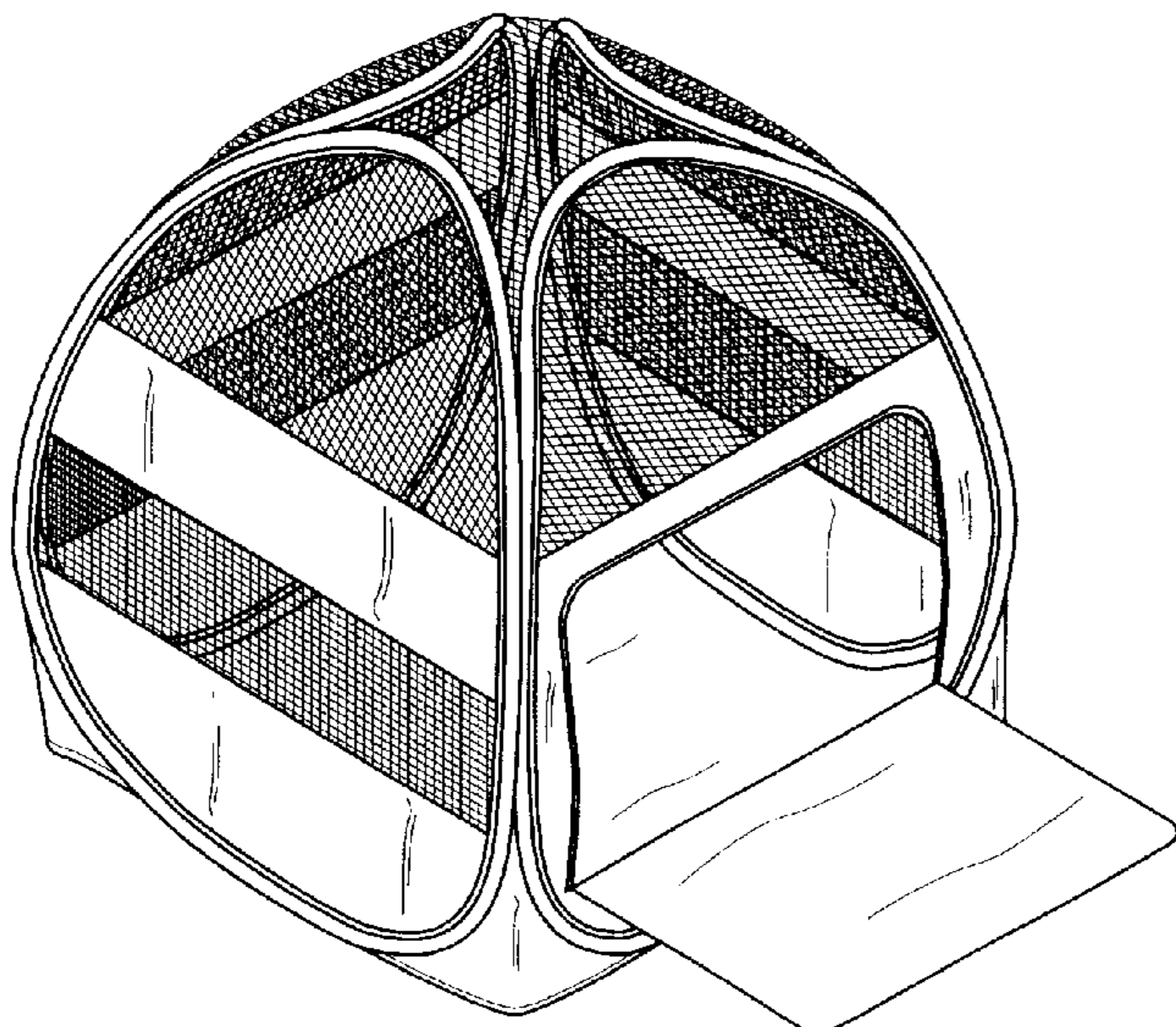
(57) **CLAIM**

The ornamental design for an animal mobile home, as shown and described.

DESCRIPTION

FIG. 1 is a perspective view of an animal mobile home according to the invention with the door open;
FIG. 2 is a left side view of FIG. 3;
FIG. 3 is a front view thereof with the door closed;
FIG. 4 is a right side view of FIG. 3;
FIG. 5 is a rear view thereof; and,
FIG. 6 is a top view of FIG. 3.

1 Claim, 3 Drawing Sheets



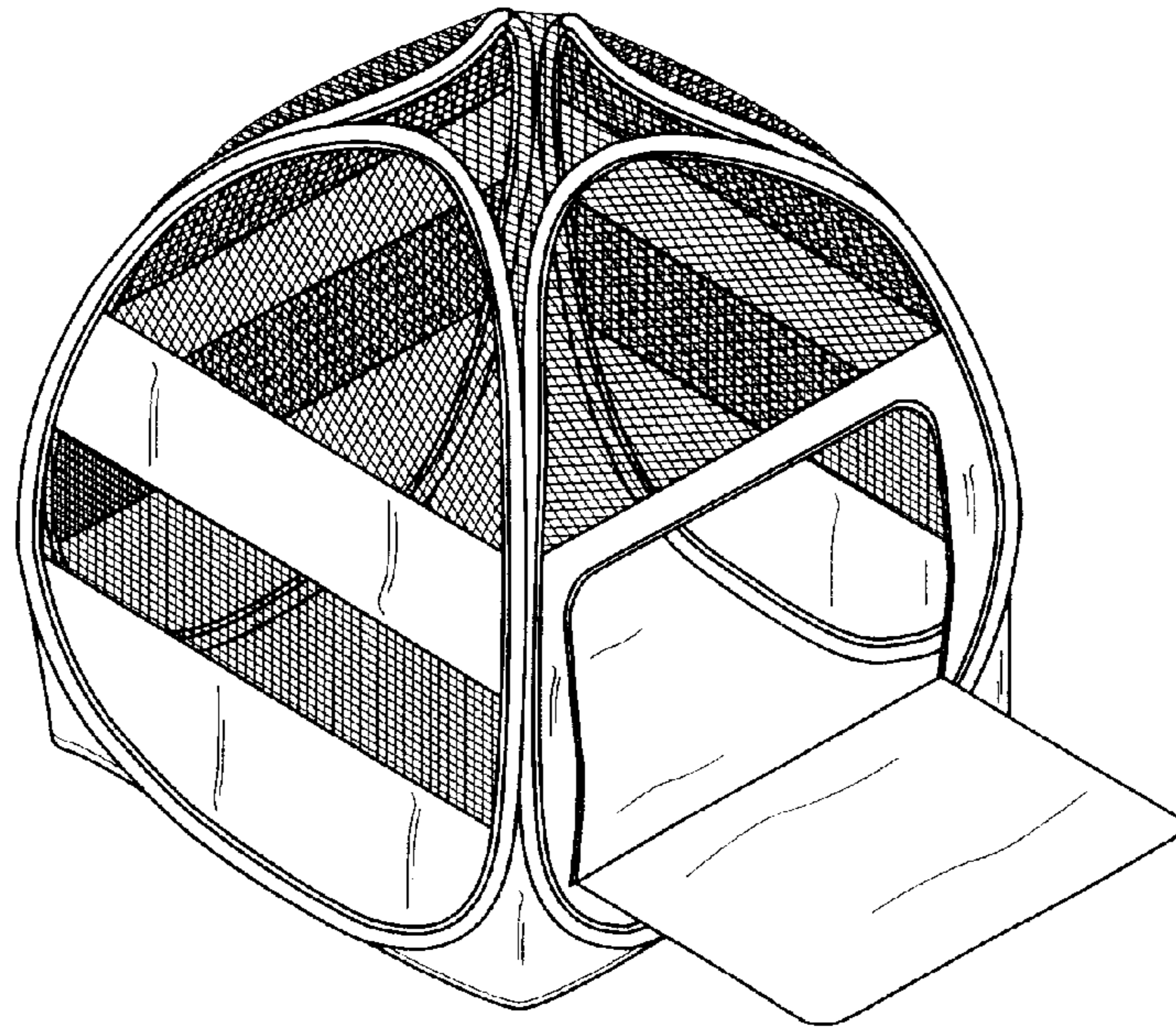


FIG. 1

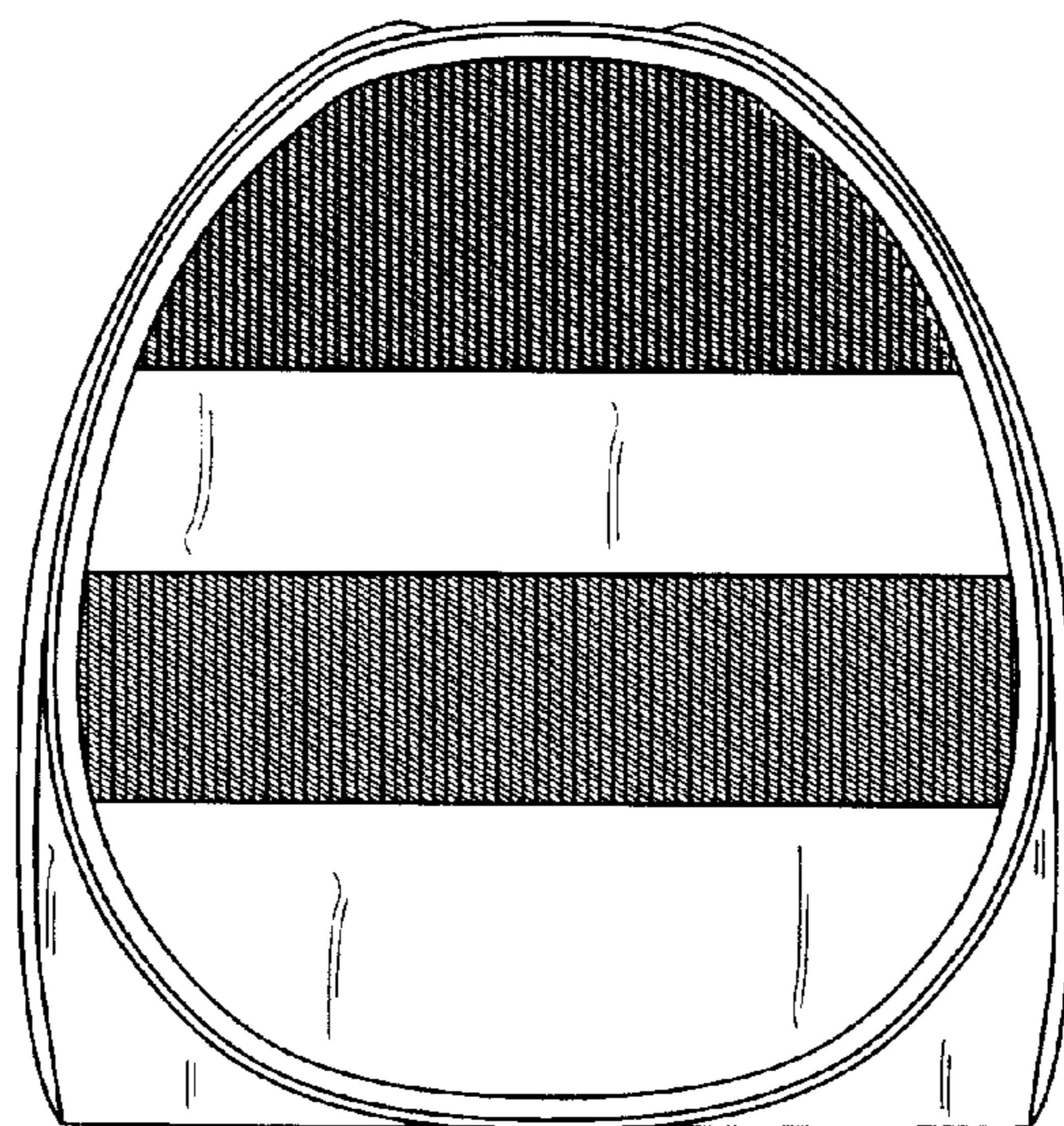


FIG. 2

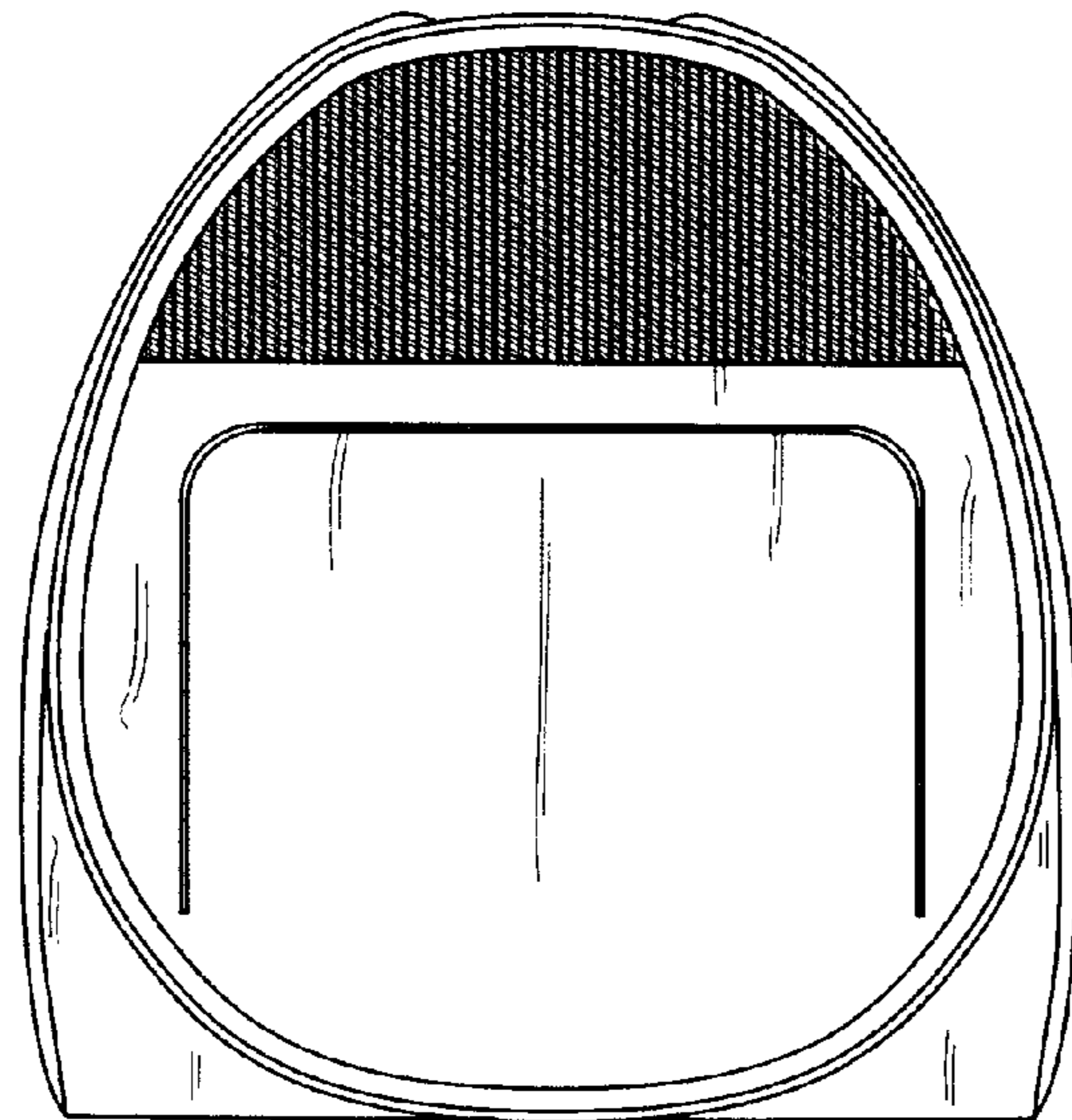


FIG. 3

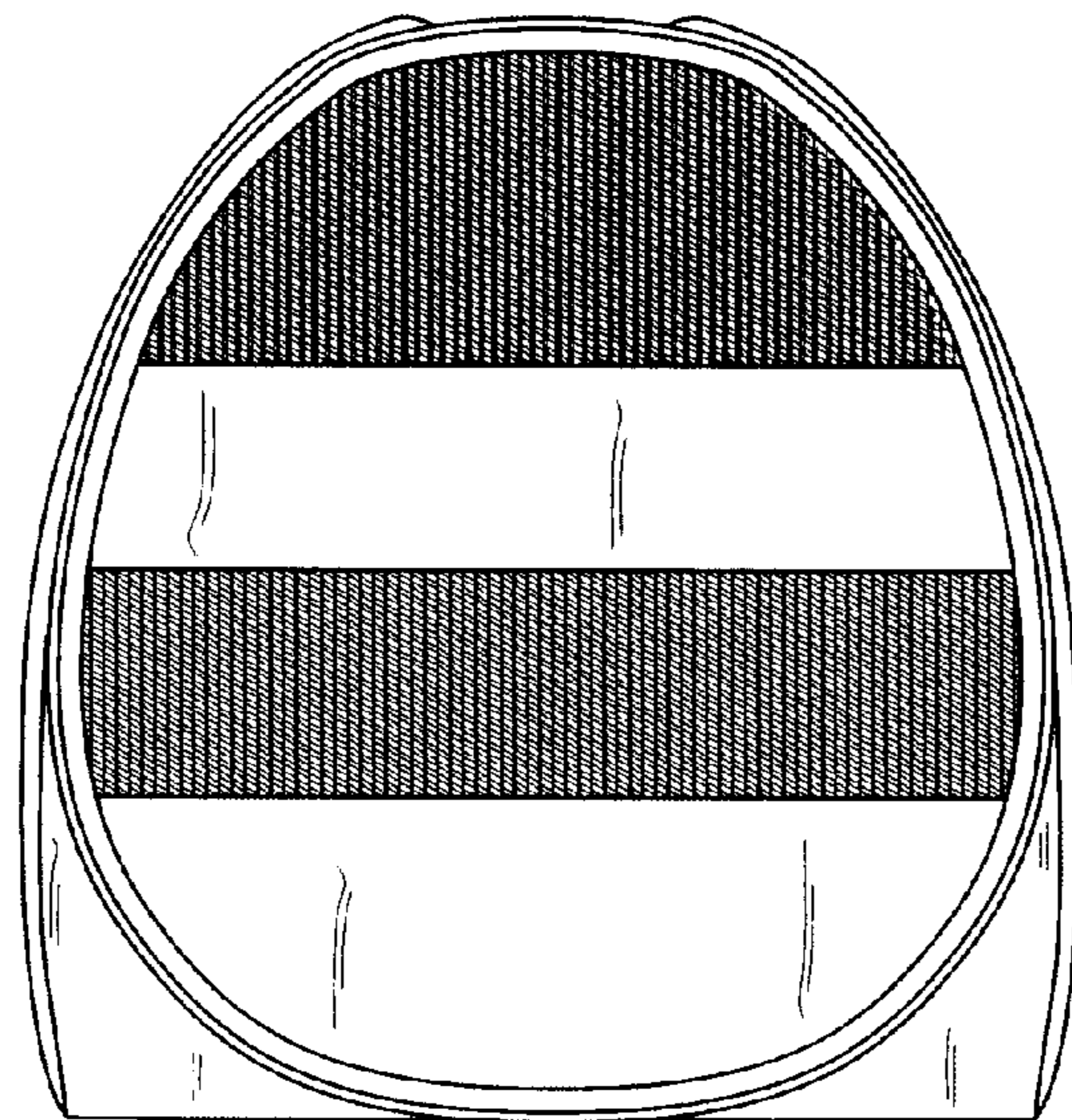


FIG. 4

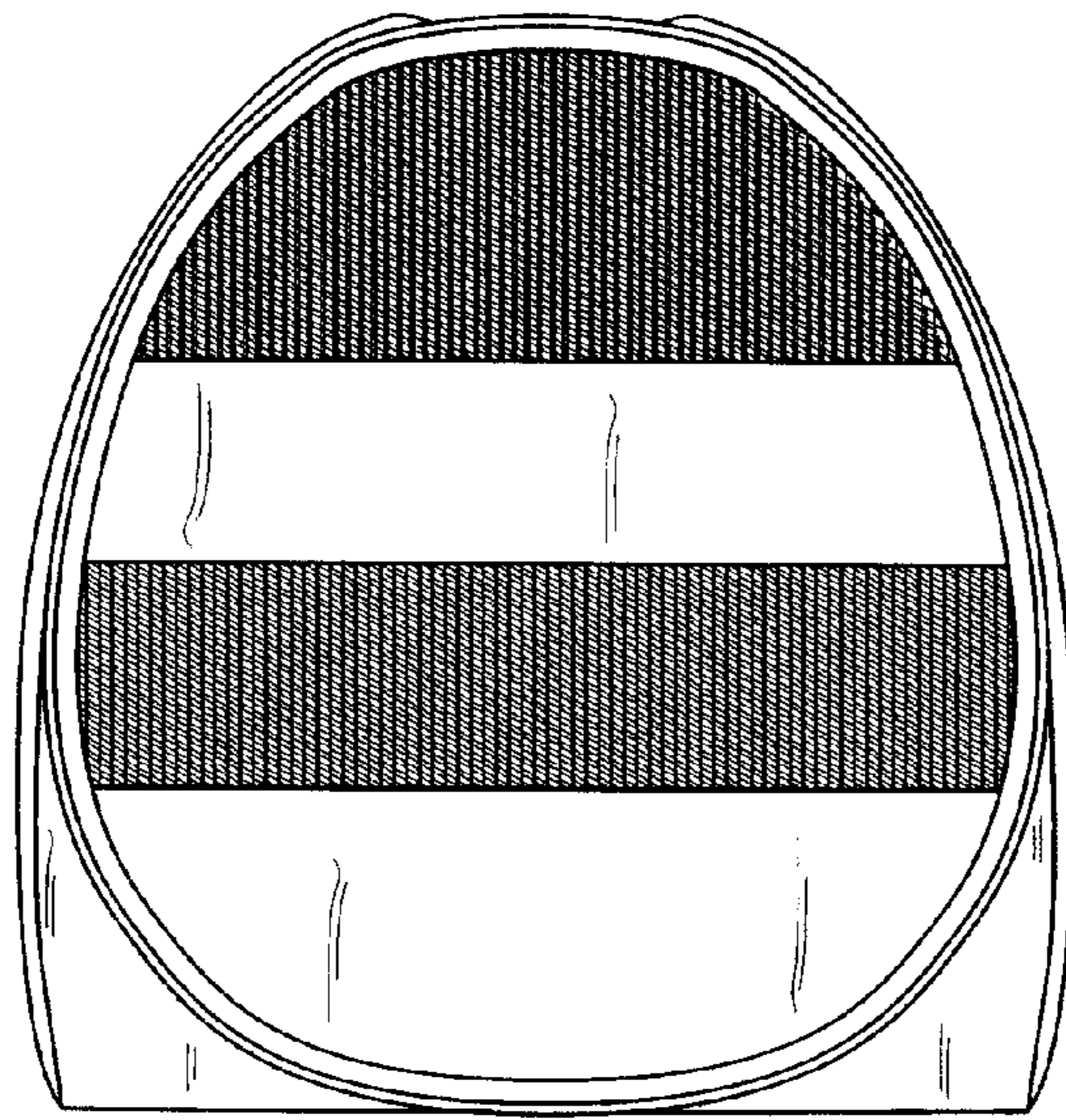


FIG. 5

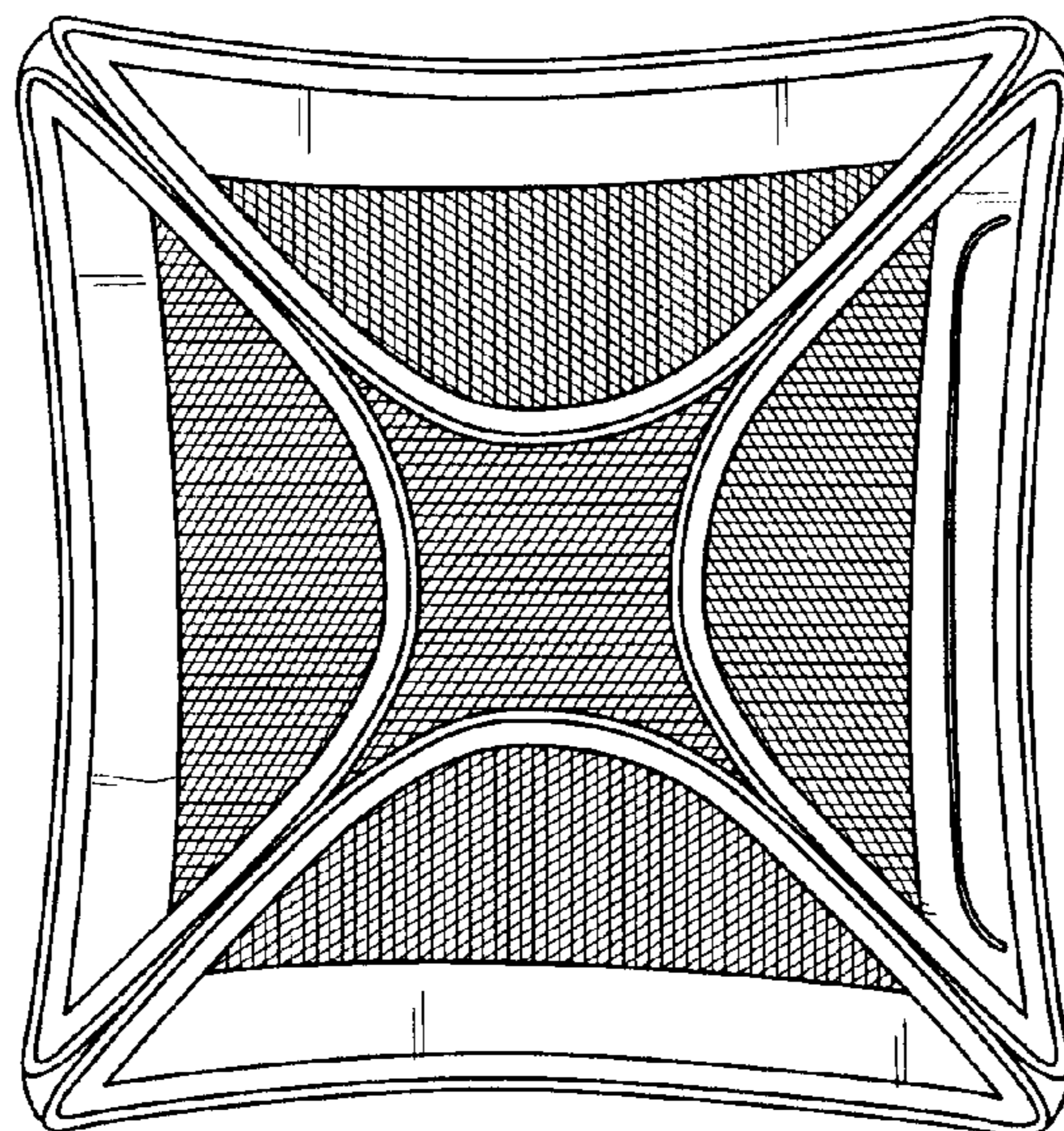


FIG. 6