



US00D514745S

(12) **United States Design Patent**
Nishizawa

(10) **Patent No.:** **US D514,745 S**
(45) **Date of Patent:** **** Feb. 7, 2006**

(54) **ELECTRIC SHAVER**

(75) **Inventor:** **Tsuyoshi Nishizawa, Yokohama (JP)**

(73) **Assignee:** **Matsushita Electric Works, Ltd.,
Osaka (JP)**

(**) **Term:** **14 Years**

(21) **Appl. No.:** **29/218,205**

(22) **Filed:** **Nov. 29, 2004**

(30) **Foreign Application Priority Data**

May 31, 2004 (JP) 2004-016102

(51) **LOC (8) Cl.** **28-03**

(52) **U.S. Cl.** **D28/49**

(58) **Field of Classification Search** D28/49-54;
30/32, 34.05, 34.1, 34.2, 35, 41.9, 43, 43.1-43.9,
30/43.91, 43.92, 42, 44-46, 527
See application file for complete search history.

(56) **References Cited**

U.S. PATENT DOCUMENTS

D377,847 S	*	2/1997	Sulik	D28/49
D441,912 S	*	5/2001	Micinilio	D28/51
D479,360 S		9/2003	Nishizawa et al.	D28/49
D481,491 S	*	10/2003	Nishizawa et al.	D28/49
D495,832 S	*	9/2004	Maeda	D28/51
2004/0163257 A1	*	8/2004	Morisugi et al.	30/34.1

2004/0231160 A1	*	11/2004	Shiba et al.	30/43.92
2005/0016002 A1	*	1/2005	Fukutani et al.	30/527

FOREIGN PATENT DOCUMENTS

JP	1190080	9/2003
KR	30-0300464	6/2002

* cited by examiner

Primary Examiner—Jennifer Rivard
(74) *Attorney, Agent, or Firm*—J. C. Patents

(57) **CLAIM**

The ornamental design for an electric shaver, as shown and described.

DESCRIPTION

FIG. 1 is a front view of an electric shaver showing the new design.

FIG. 2 is a rear view thereof.

FIG. 3 is a right side view thereof, the left side view being a mirror image of the right side view.

FIG. 4 is an enlarged top plan view thereof.

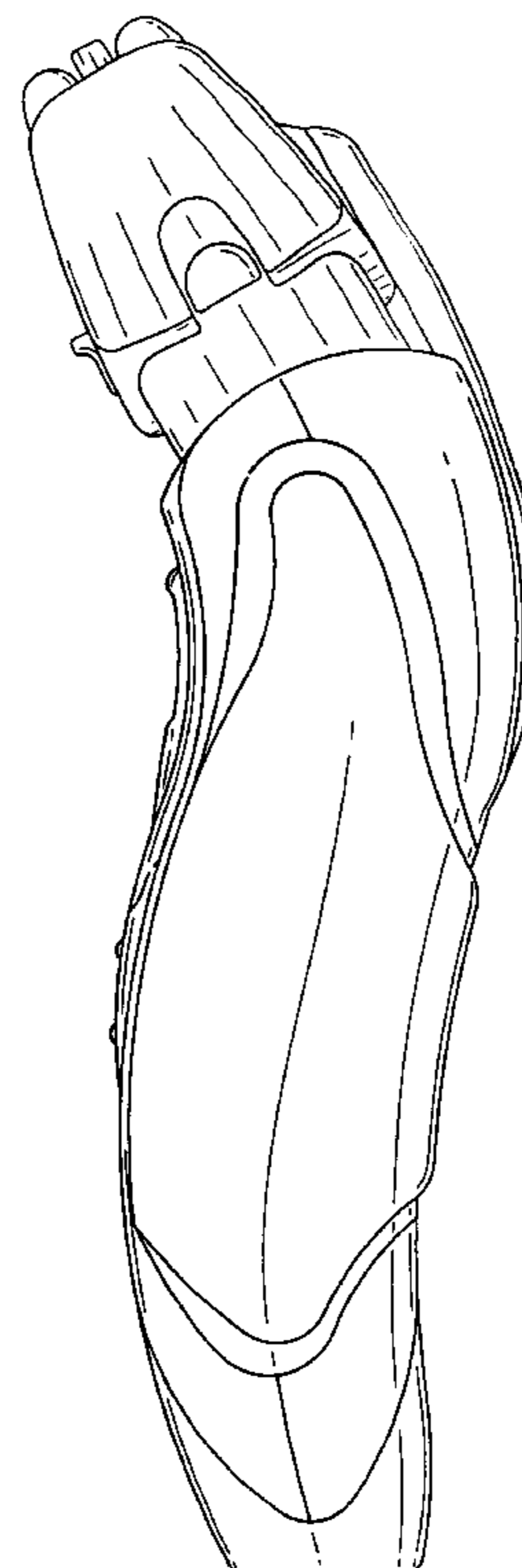
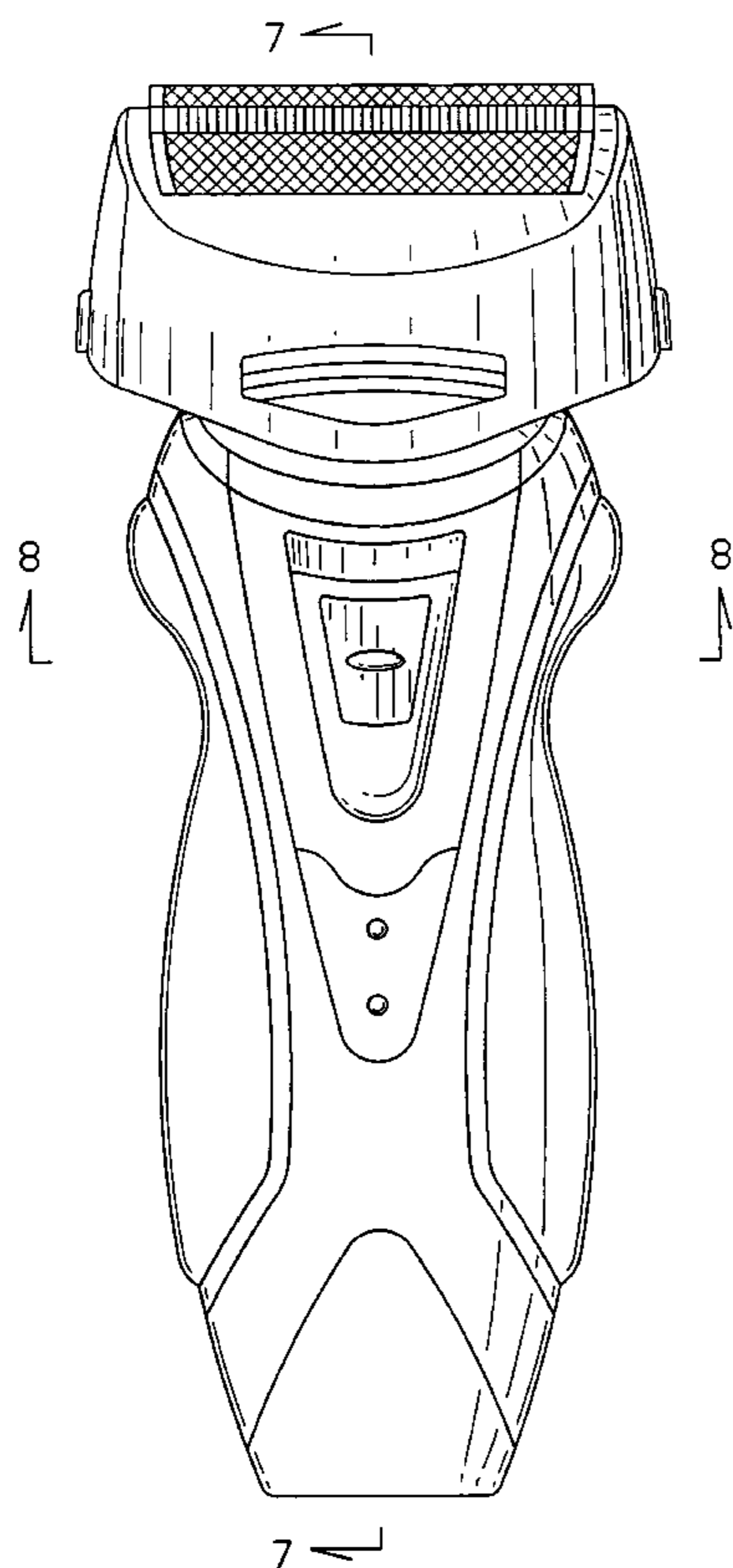
FIG. 5 is an enlarged bottom plan view thereof.

FIG. 6 is a perspective view thereof.

FIG. 7 is a cross-sectional view taken along line 7—7 in FIG. 1 with the internal parts omitted; and,

FIG. 8 is an enlarged end elevational view taken along line 8—8 in FIG. 1 with the internal parts omitted.

1 Claim, 7 Drawing Sheets



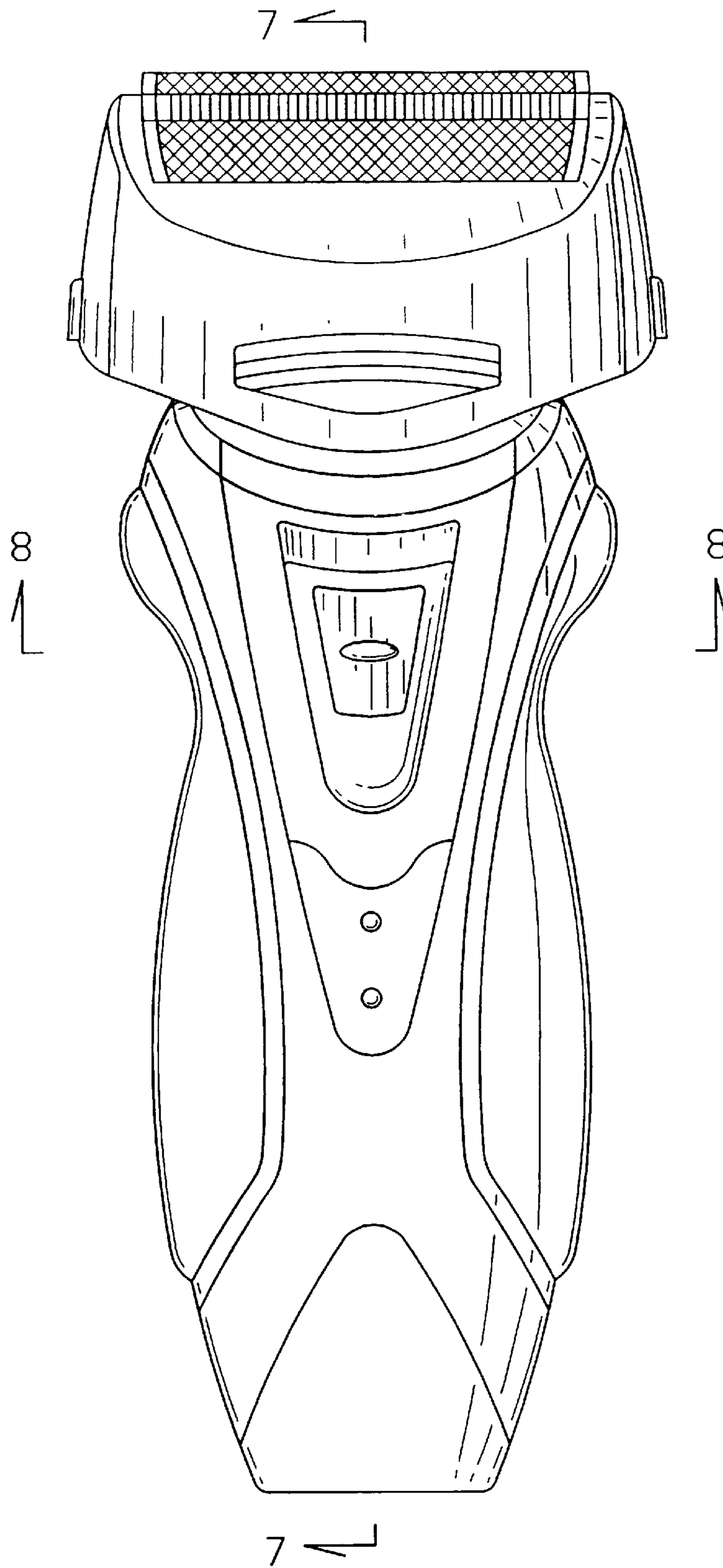


FIG. 1

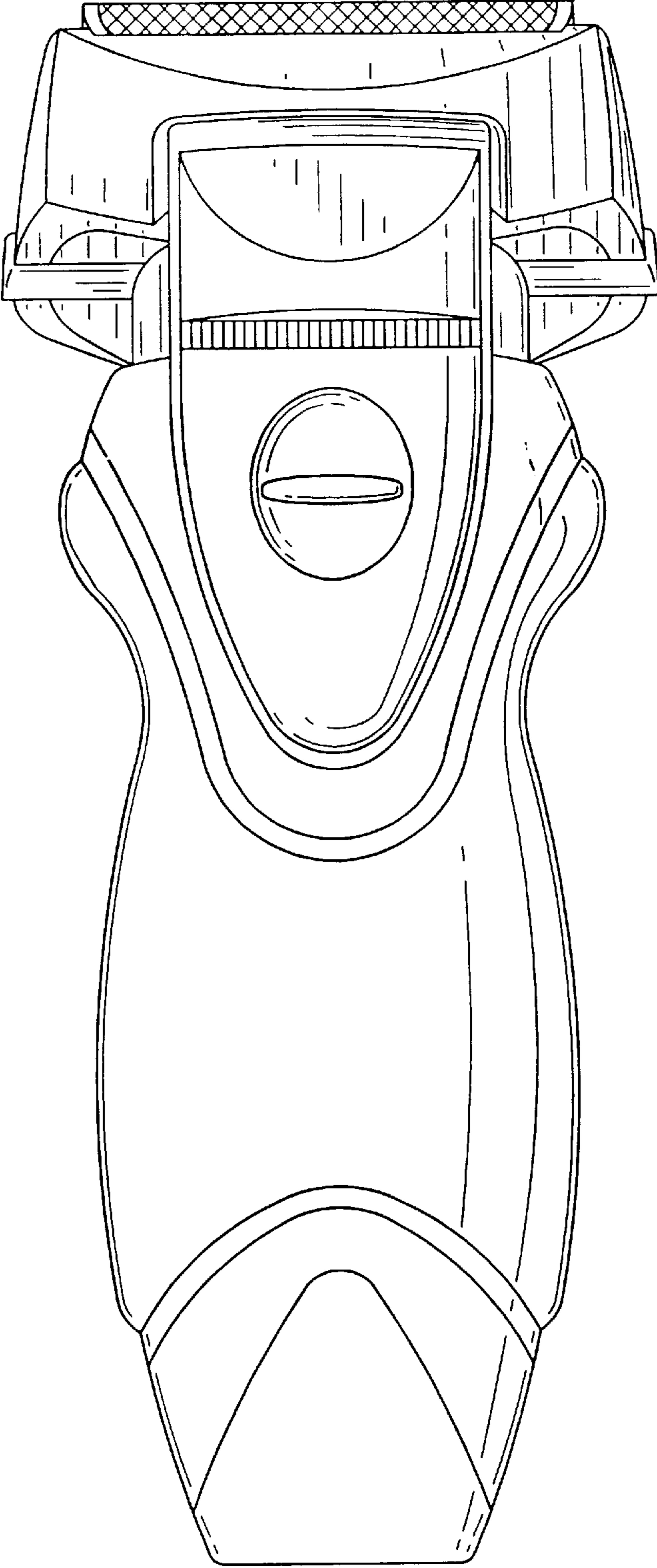


FIG. 2



FIG. 3

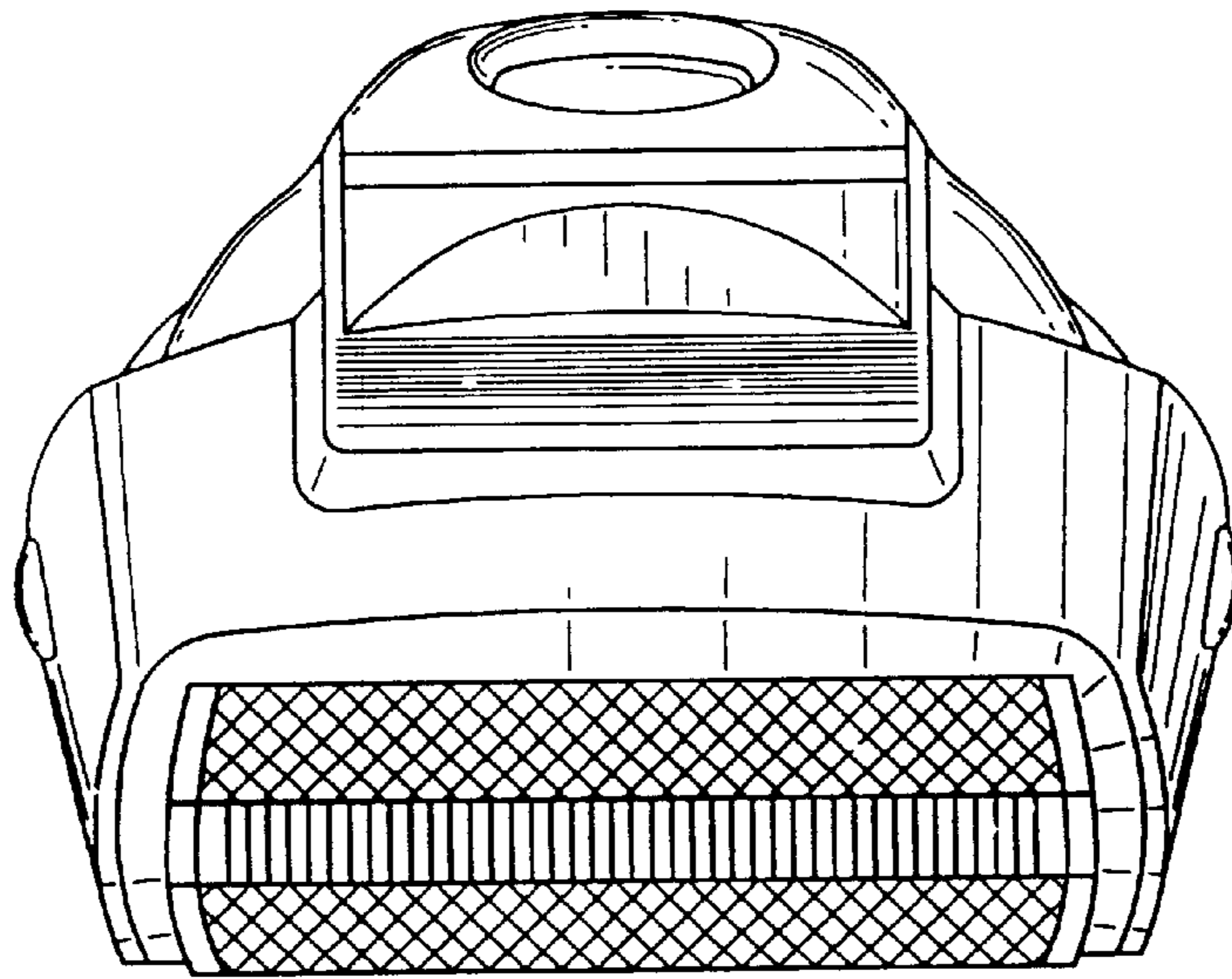


FIG. 4

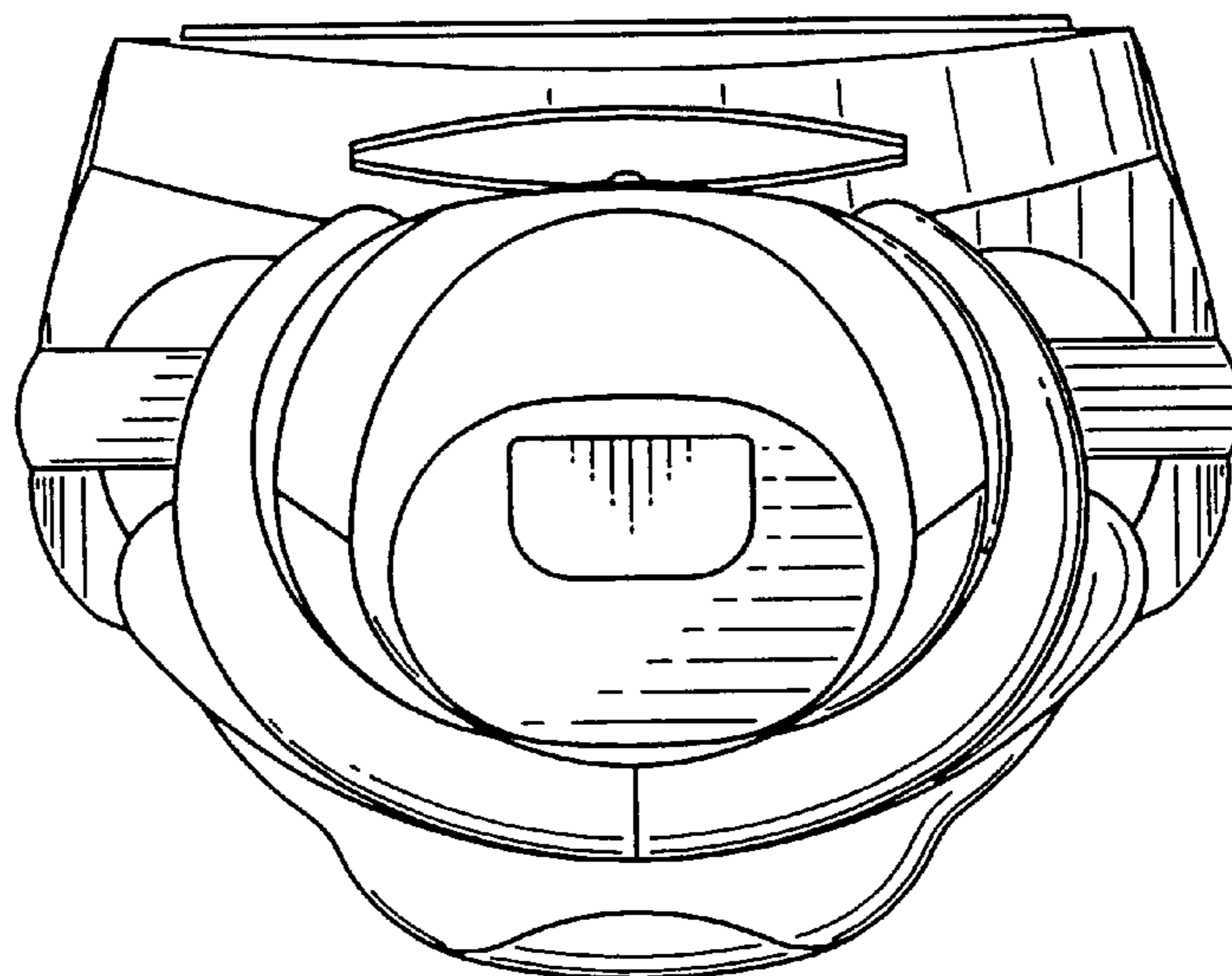


FIG. 5

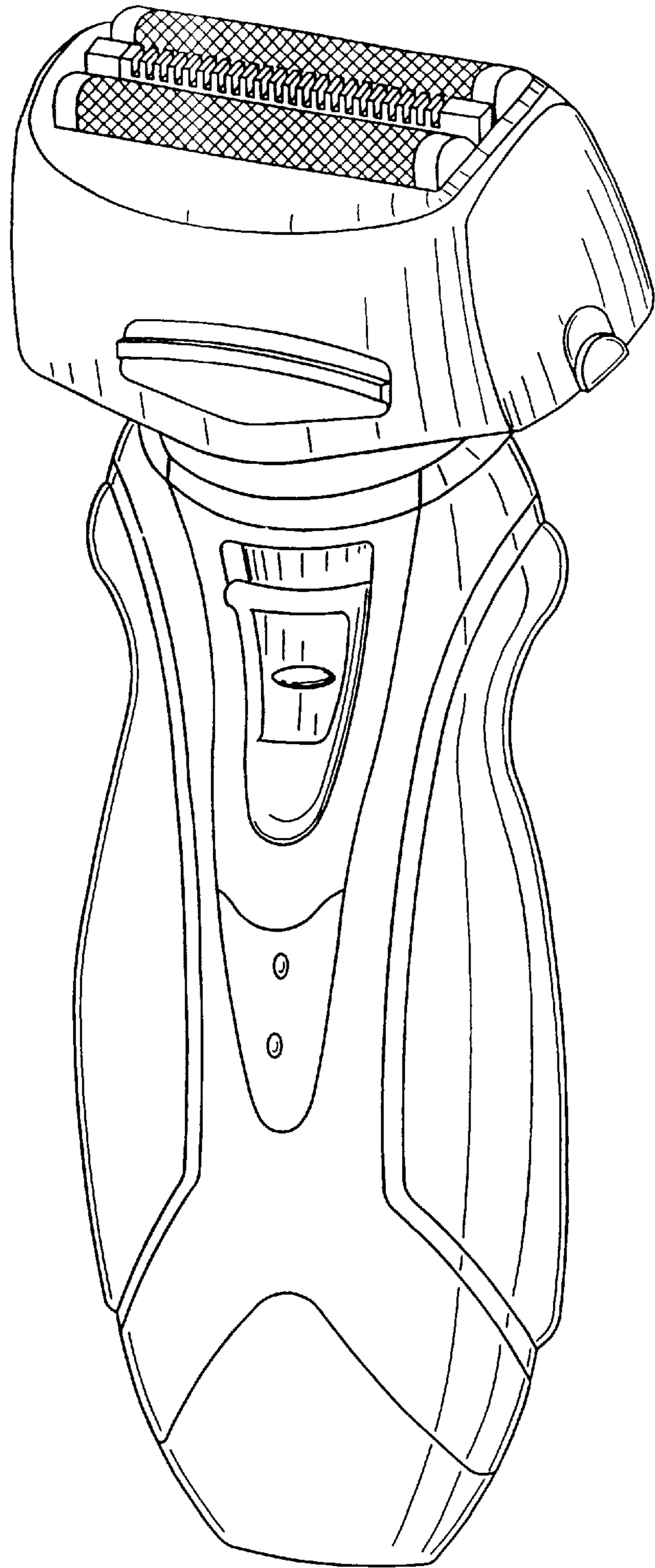


FIG. 6

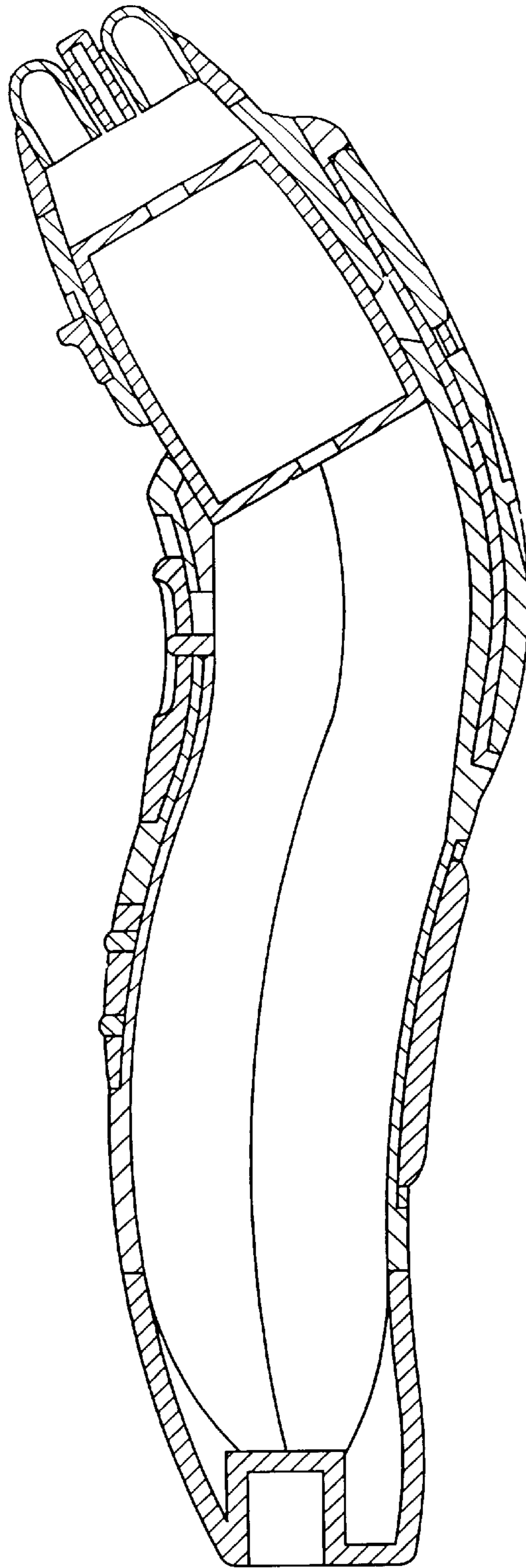


FIG. 7

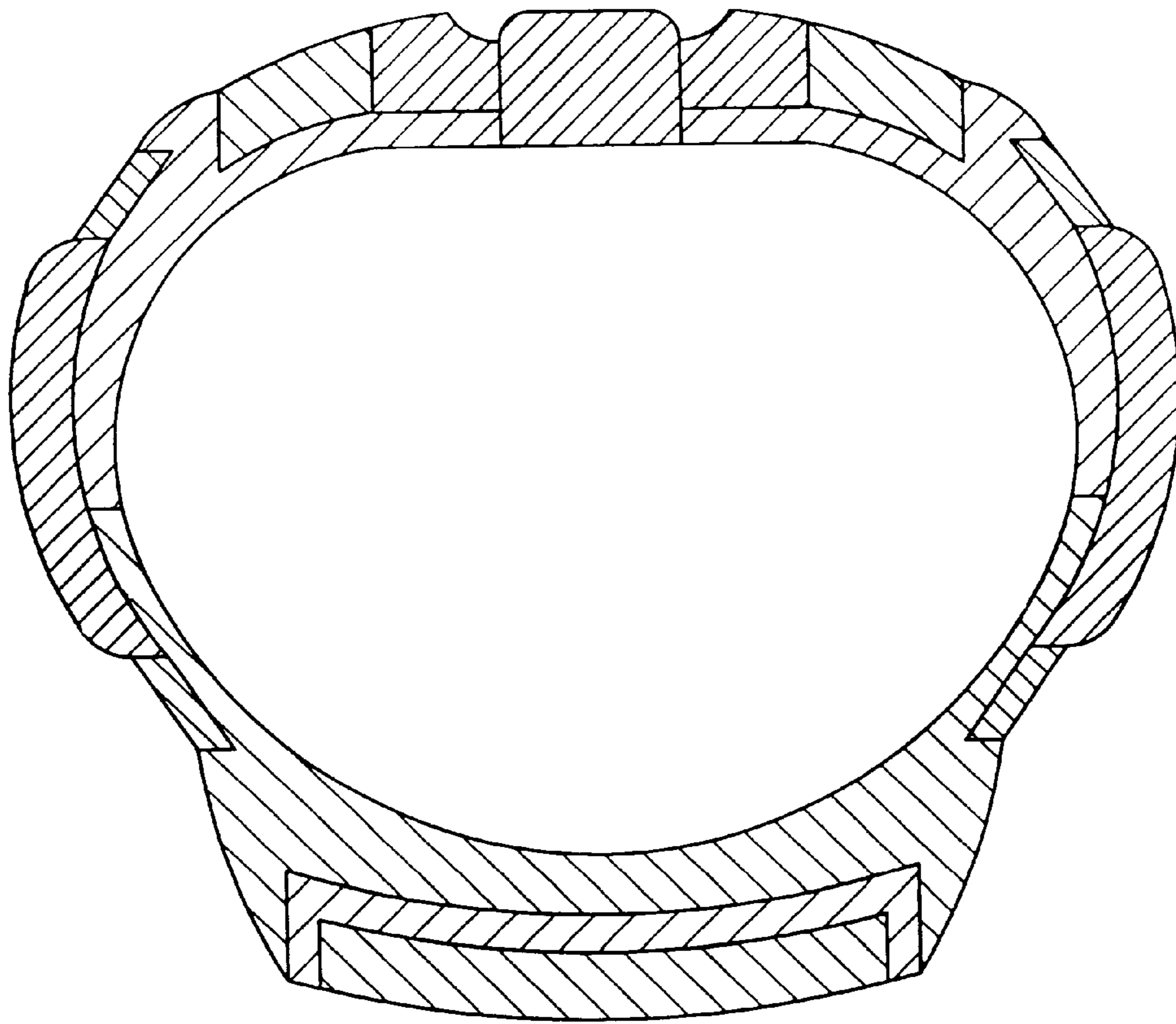


FIG. 8