



US00D514744S

(12) **United States Design Patent** (10) **Patent No.:** **US D514,744 S**
Angeletta (45) **Date of Patent:** **** Feb. 7, 2006**

(54) **SET OF A LIQUID AND LOTION APPLICATOR WITH REPLACEABLE COMPONENTS**

Primary Examiner—Lucy Lieberman
(74) *Attorney, Agent, or Firm*—Scully, Scott, Murphy & Presser

(76) **Inventor:** **Joseph G. Angeletta**, 418 Fifth St., Mamaroneck, NY (US) 10543

(57) **CLAIM**

(**) **Term:** **14 Years**

The ornamental design for a set of a liquid and lotion applicator with replaceable components, as shown and described.

(21) **Appl. No.:** **29/185,426**

DESCRIPTION

(22) **Filed:** **Jun. 26, 2003**

Related U.S. Application Data

FIG. 1 illustrates a front perspective view of a first embodiment of a liquid and lotion applicator from the set of a liquid and lotion applicator with replaceable components; FIG. 2 illustrates a perspective view of one of the replaceable components; FIG. 3 illustrates a perspective view of another replaceable component; FIG. 4 illustrates a perspective further view of another replaceable components; FIG. 5 illustrates a perspective view of a further replaceable component; FIG. 6 illustrates a perspective view of another replaceable component; FIG. 7 illustrates a perspective view of a further replaceable component; FIG. 8 illustrates a perspective view of yet another replaceable component; FIG. 9 illustrates a front perspective view of a second embodiment of the liquid and lotion applicator from the set of a liquid and lotion applicator with replaceable components; FIG. 10 illustrates a further replaceable components; FIG. 11 illustrates another replaceable component; FIG. 12 illustrates a further replaceable component; FIG. 13 illustrates another replaceable components; FIG. 14 illustrates yet another replaceable component; FIG. 15 illustrates still another replaceable component; FIG. 16 illustrates yet another replaceable component; and, FIG. 17 illustrates a front perspective view of a third embodiment of the liquid and lotion applicator from the set of a liquid and lotion applicator with replaceable components.

(62) Division of application No. 29/143,911, filed on Jun. 21, 2001, now abandoned.

(51) **LOC (8) Cl.** **28-02**

(52) **U.S. Cl.** **D28/7**

(58) **Field of Classification Search** D28/7, D28/63; D9/436, 447, 723, 725; D24/119; D32/45, 51; 132/320, 317; 401/6, 139, 202–207, 401/261–266, 187, 196; 15/244.1, 104.94, 15/209.1, 176.6, 210.1; D4/114, 137, 130, D4/138

See application file for complete search history.

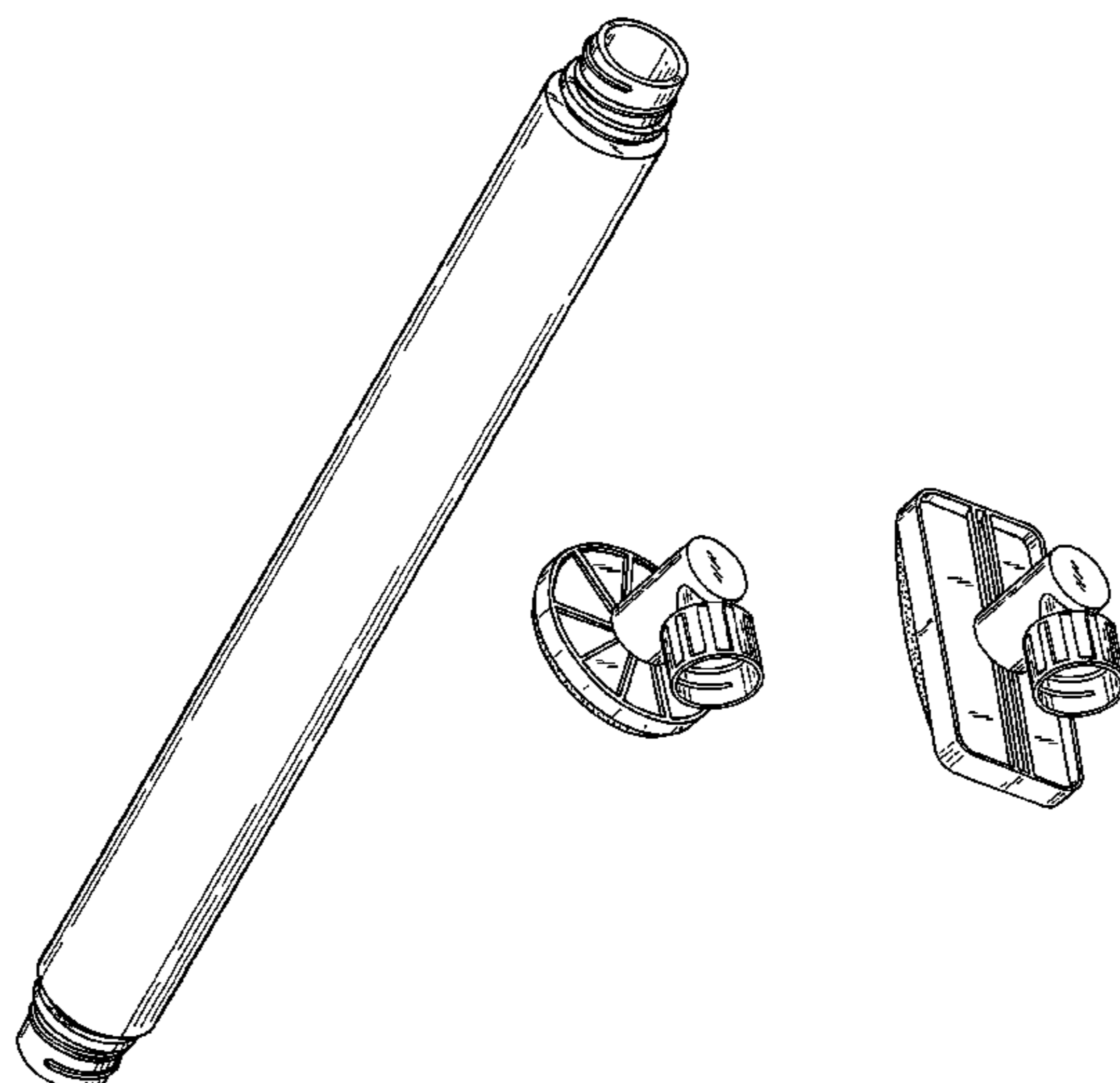
(56) **References Cited**

U.S. PATENT DOCUMENTS

2,218,862 A * 10/1940 Vredenburgh 15/209.1
2,221,128 A * 11/1940 Bates 15/244.1
D188,159 S * 6/1960 Peyton D28/7
4,201,491 A * 5/1980 Kohler 401/264
D268,989 S * 5/1983 Douglas D9/529
5,353,819 A * 10/1994 Kahn et al. 132/320
5,435,328 A * 7/1995 Grohoske 132/120
5,573,342 A * 11/1996 Patalano 401/175
D376,697 S * 12/1996 Green et al. D4/114
D384,184 S * 9/1997 Dewey D28/7
D410,110 S * 5/1999 Roland D28/7
6,044,513 A * 4/2000 Penn 15/118
6,371,675 B1 * 4/2002 Hoang et al. 401/205
D462,480 S * 9/2002 Jones D28/7

* cited by examiner

1 Claim, 5 Drawing Sheets



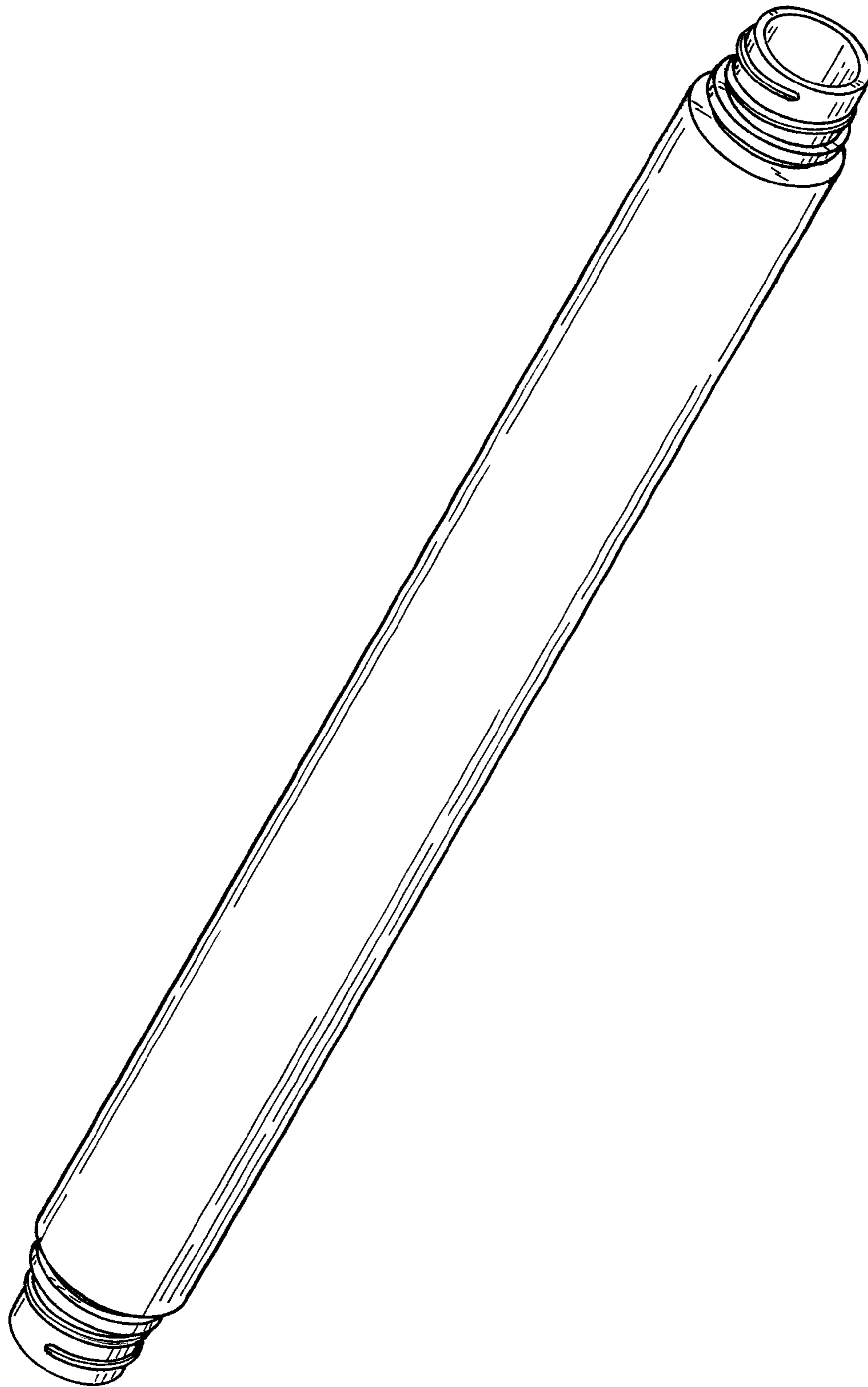


FIG. 1

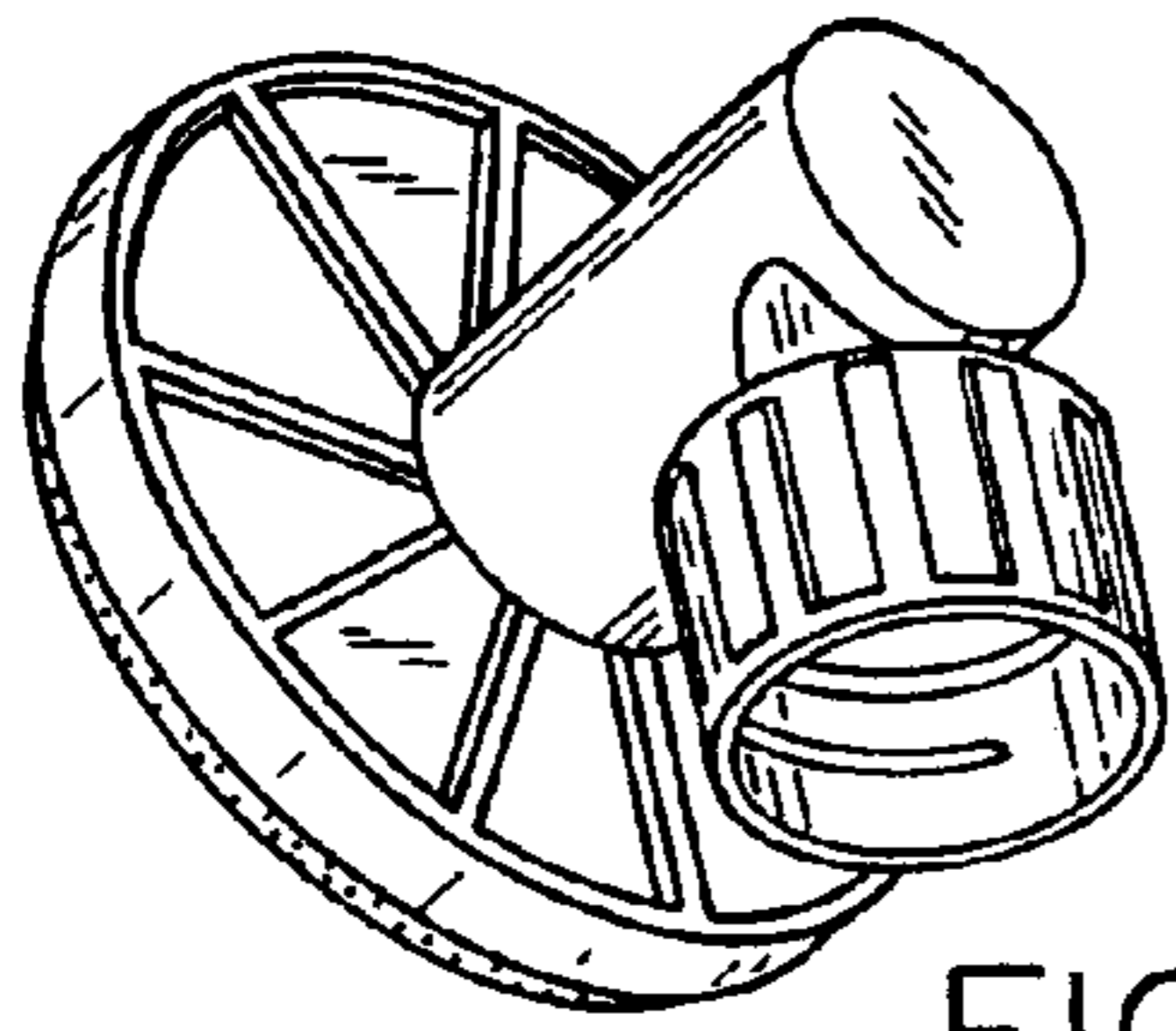


FIG. 2

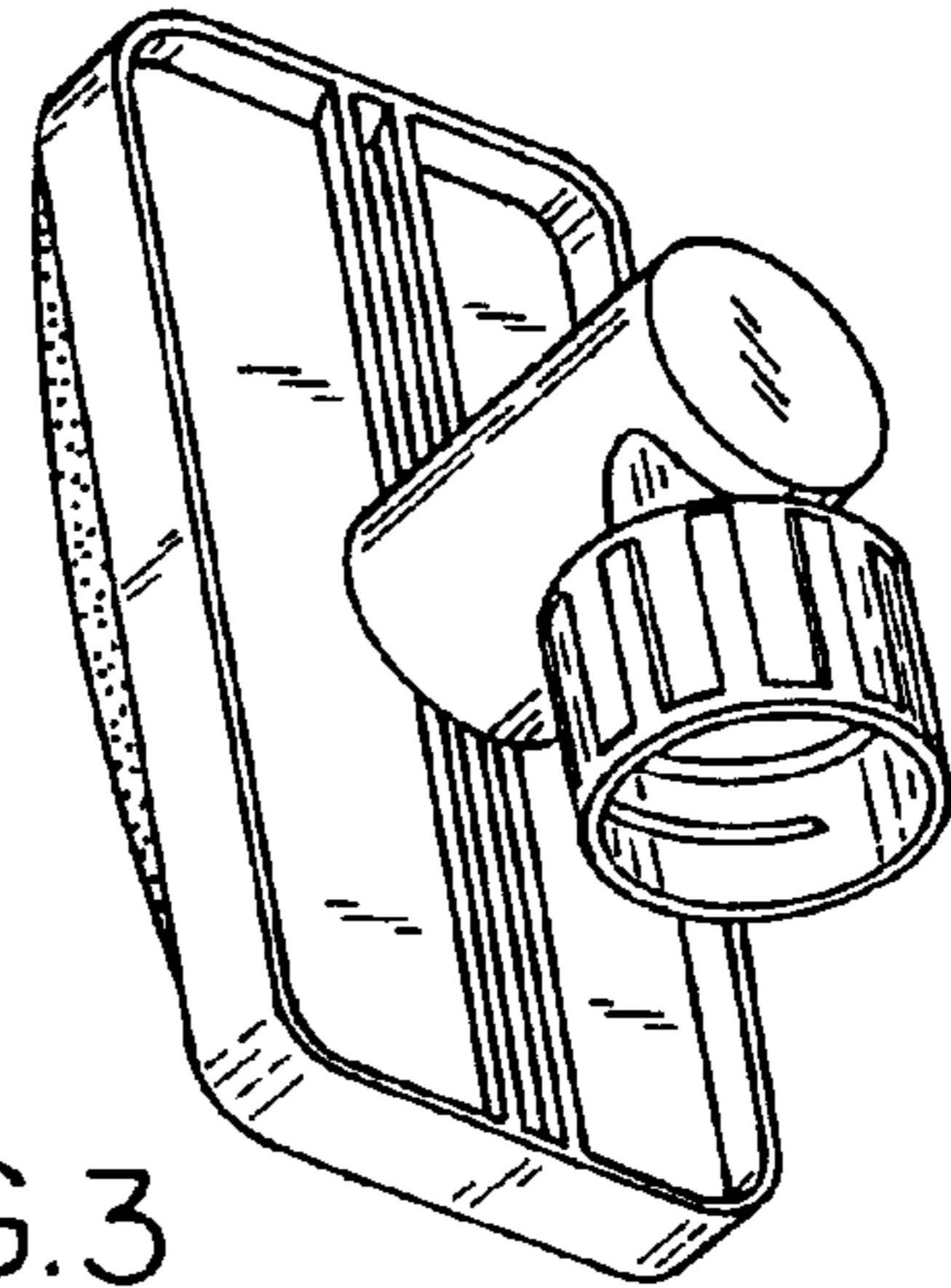


FIG. 3

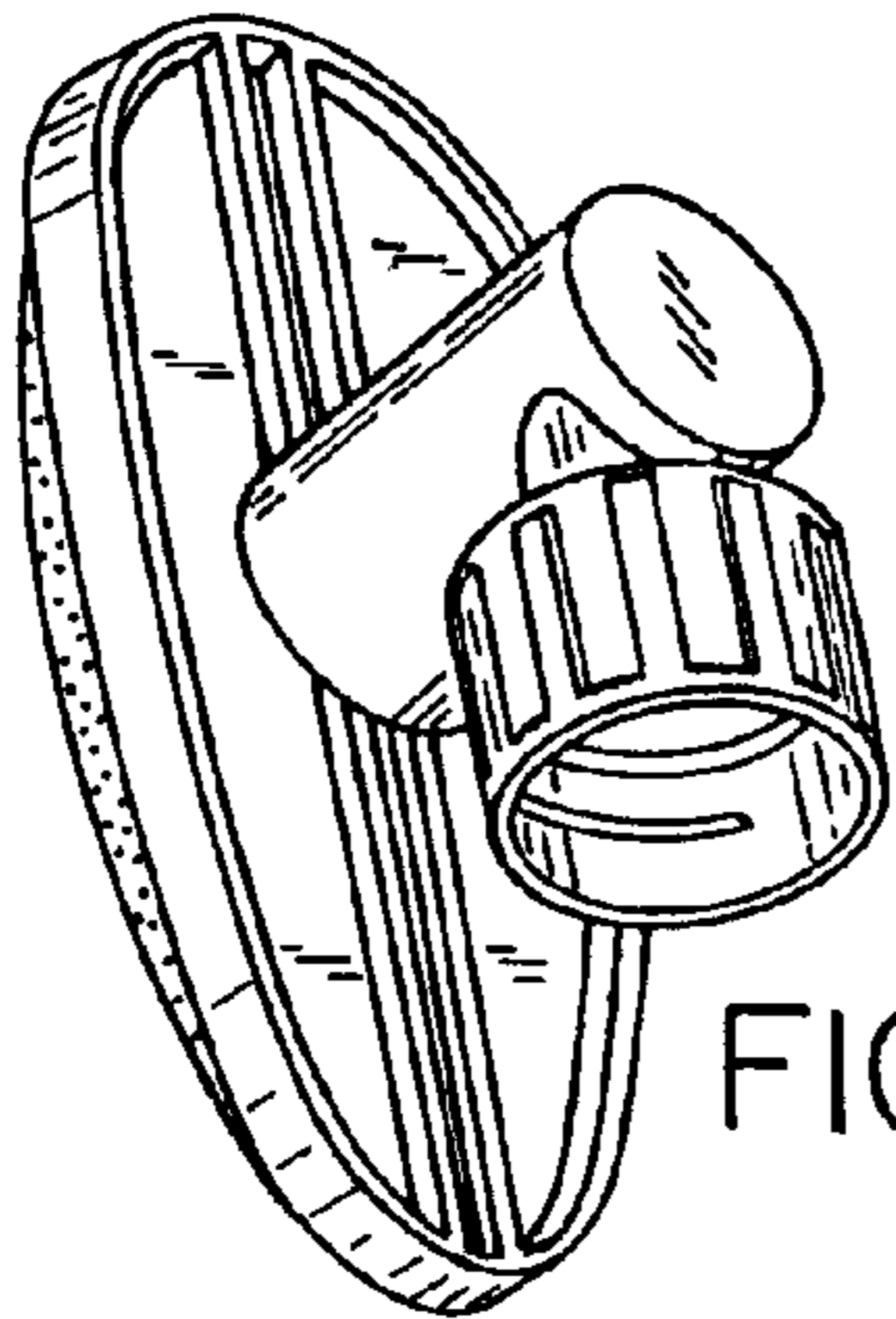


FIG. 4

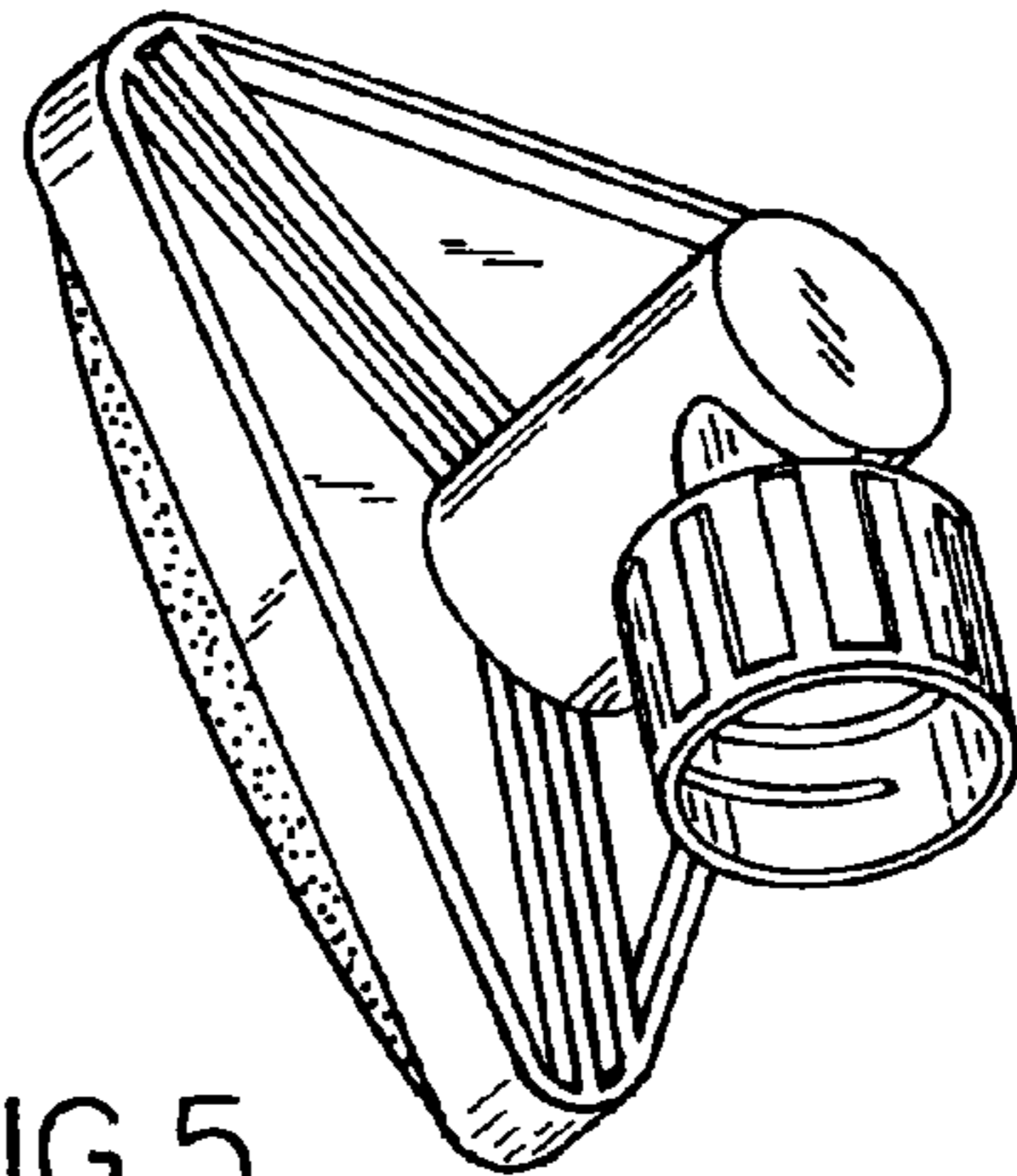


FIG. 5

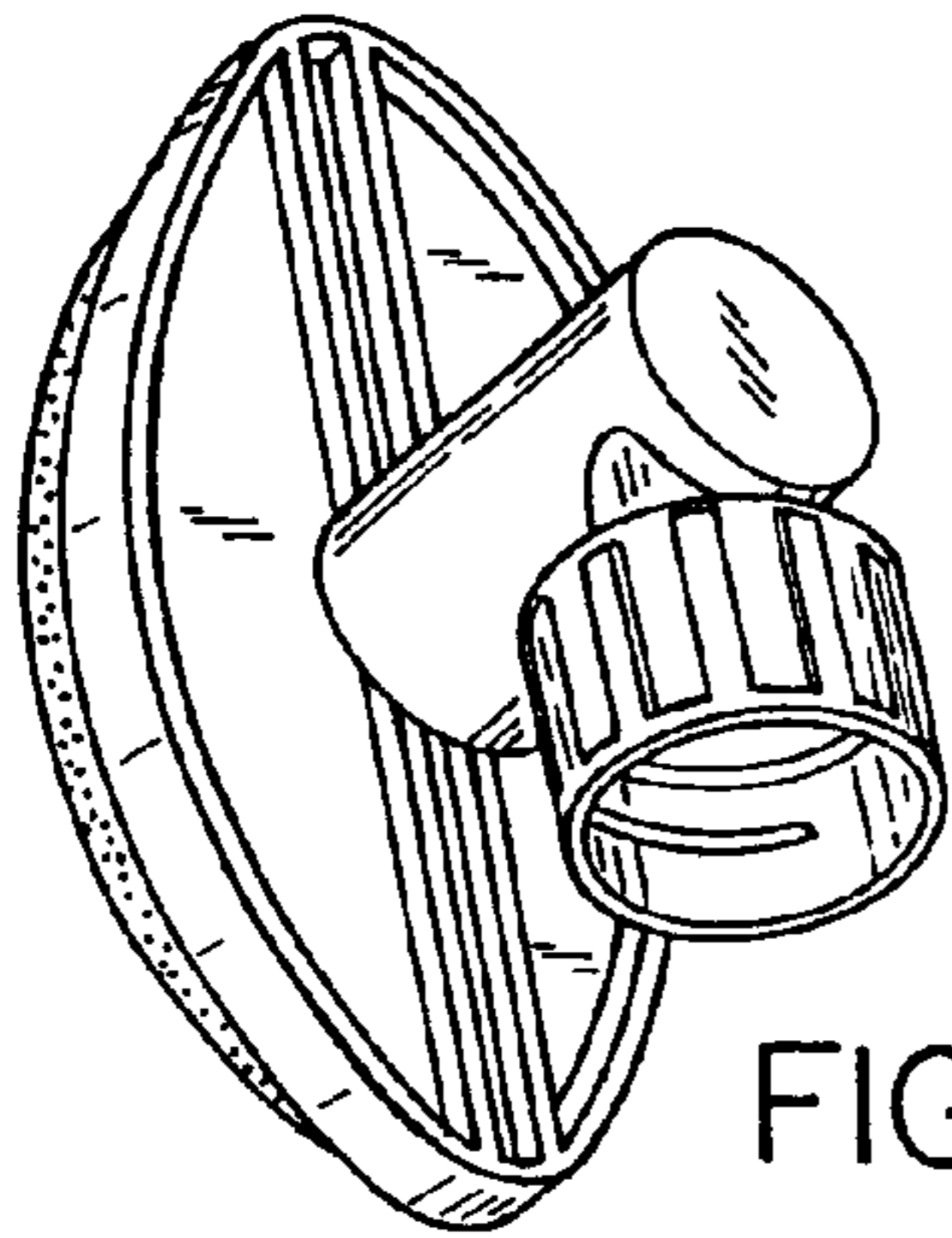


FIG. 6

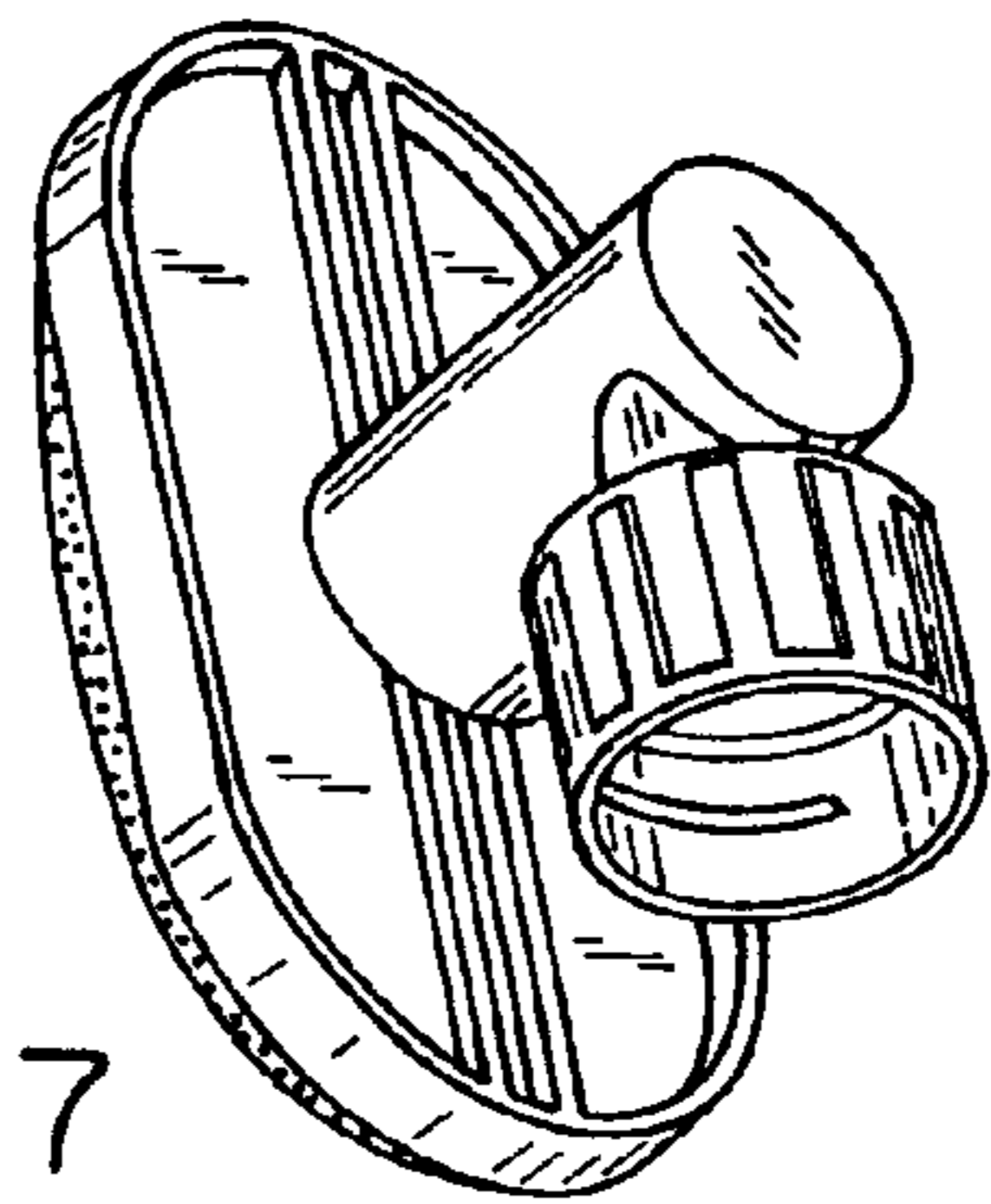


FIG. 7

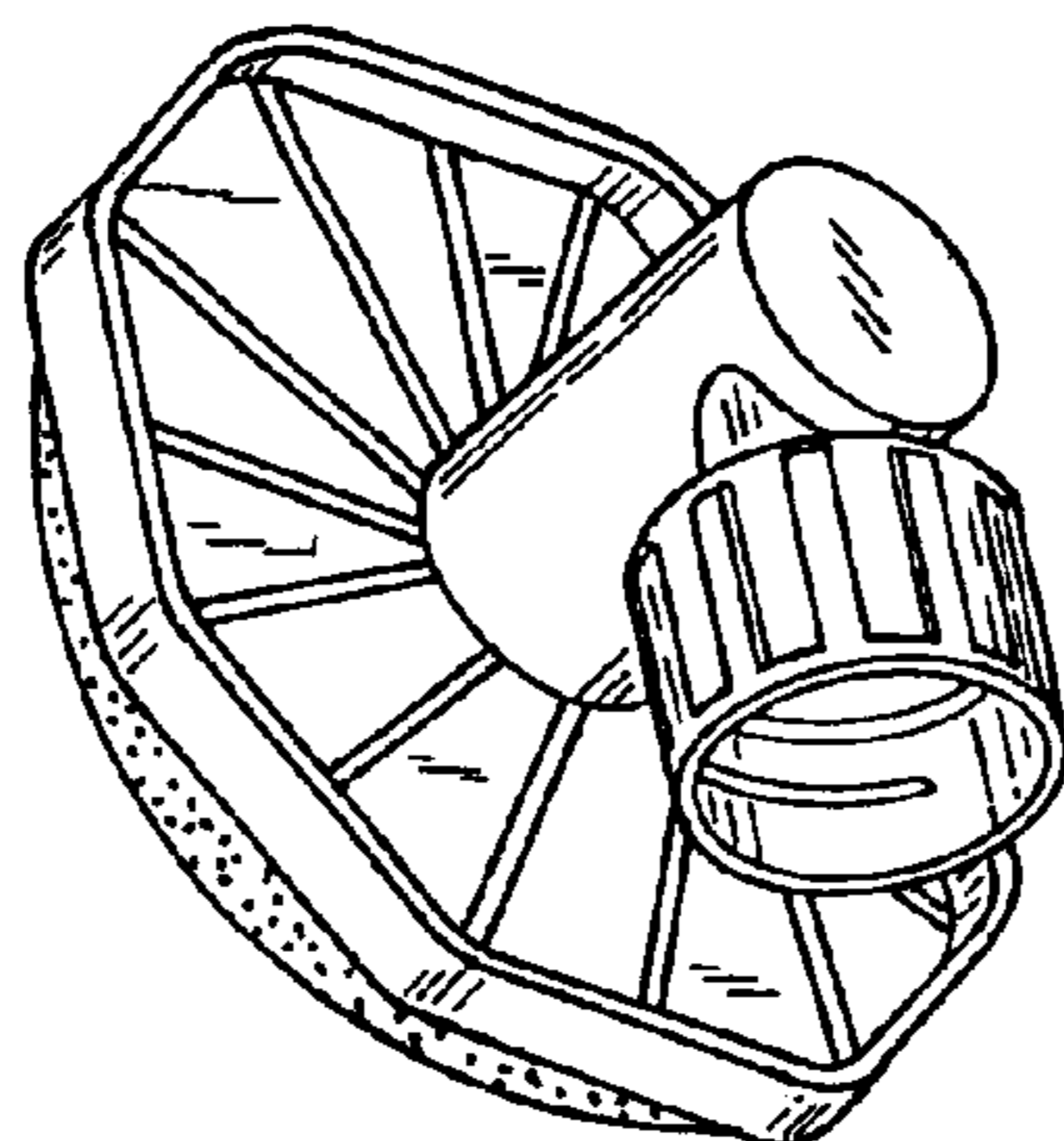


FIG. 8

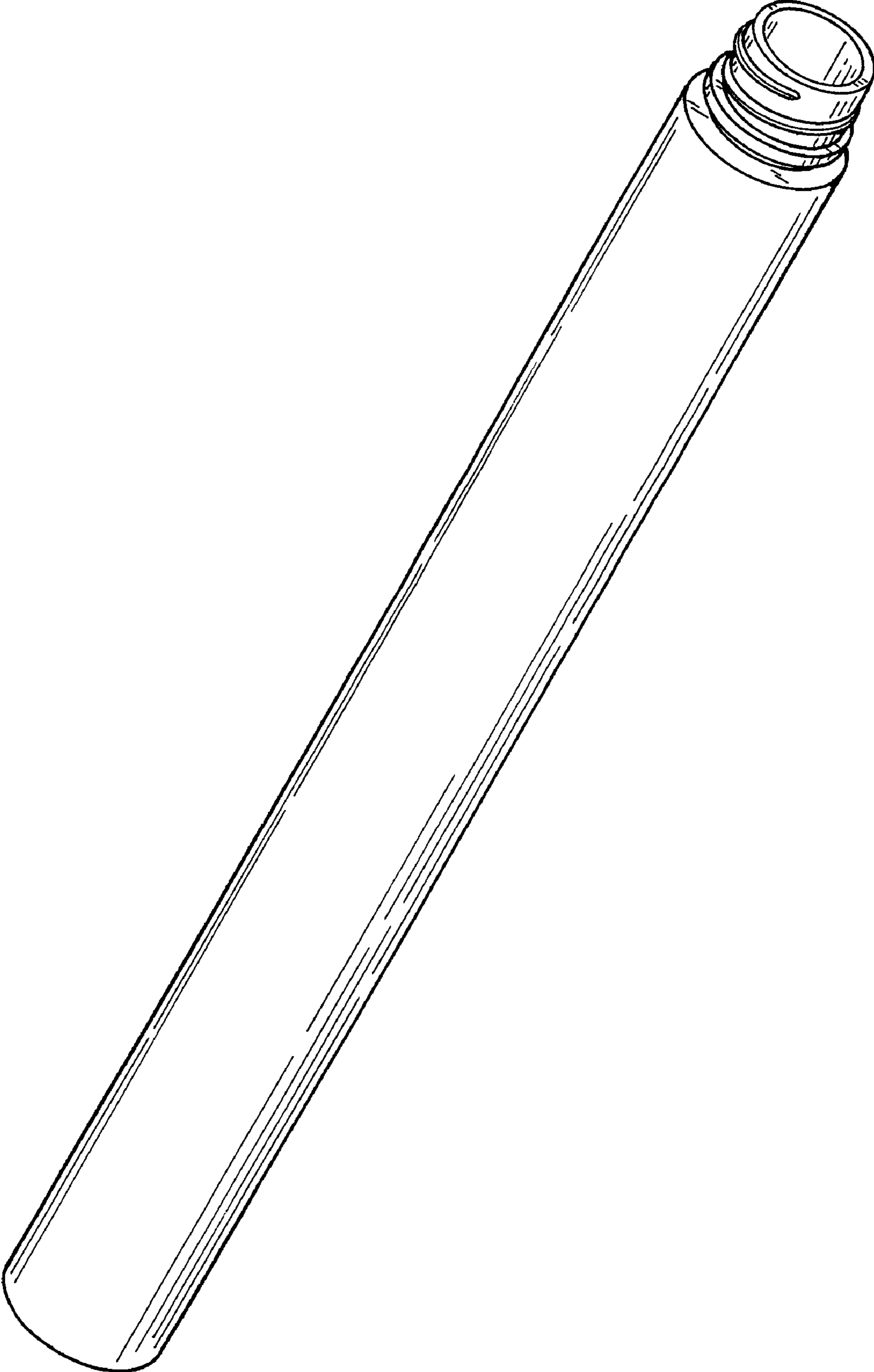


FIG. 9

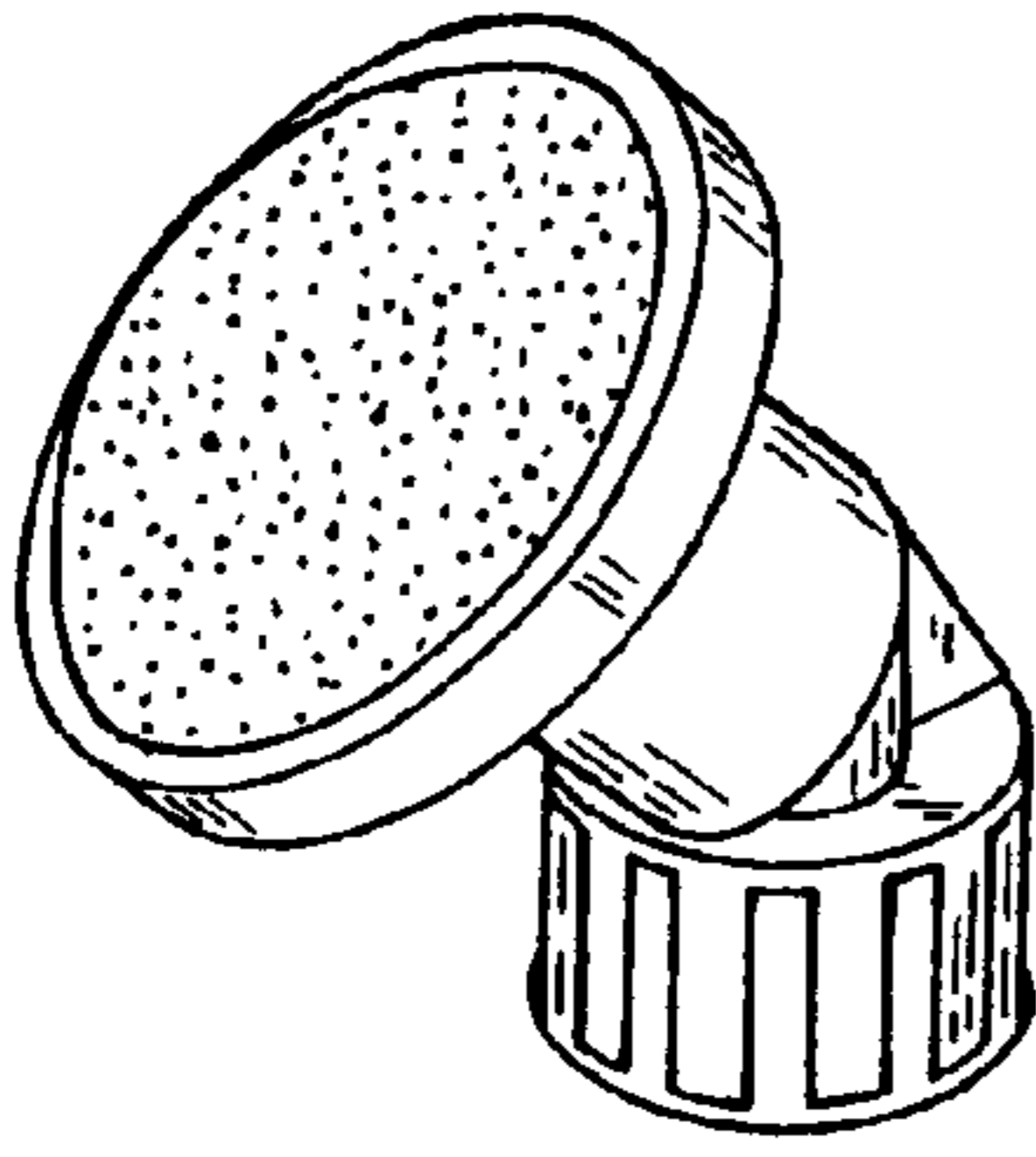


FIG. 10

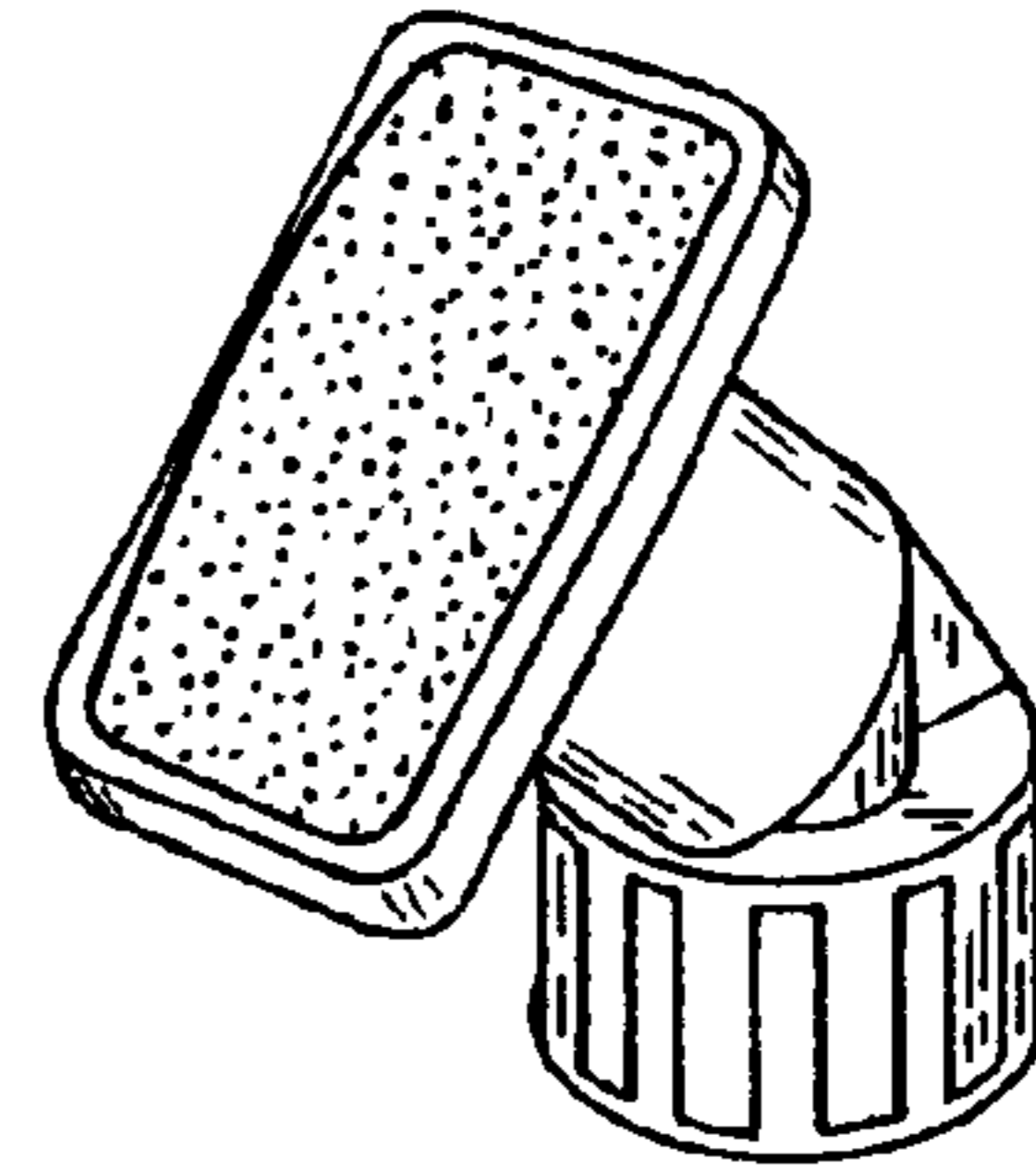


FIG. 11

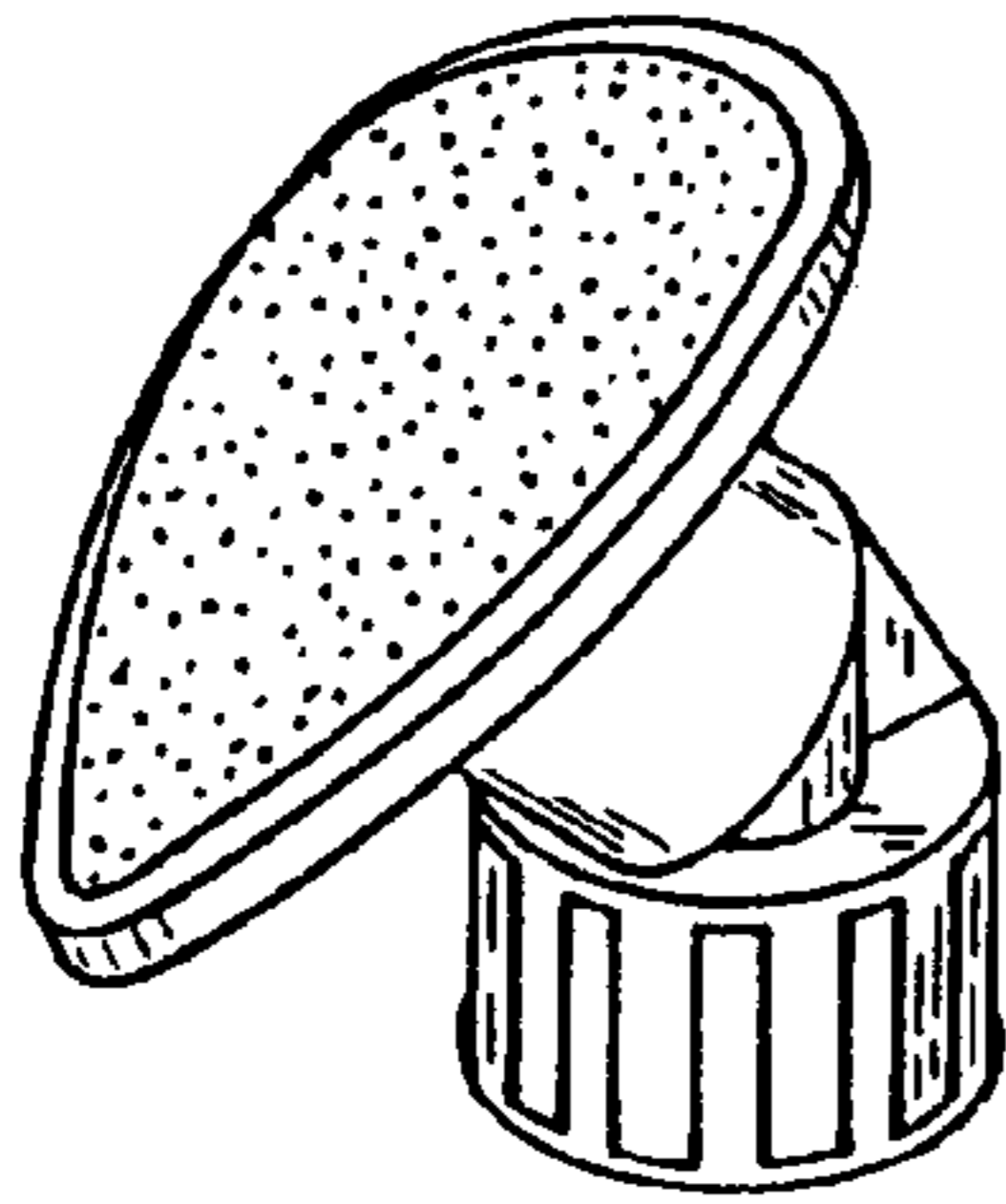


FIG. 12

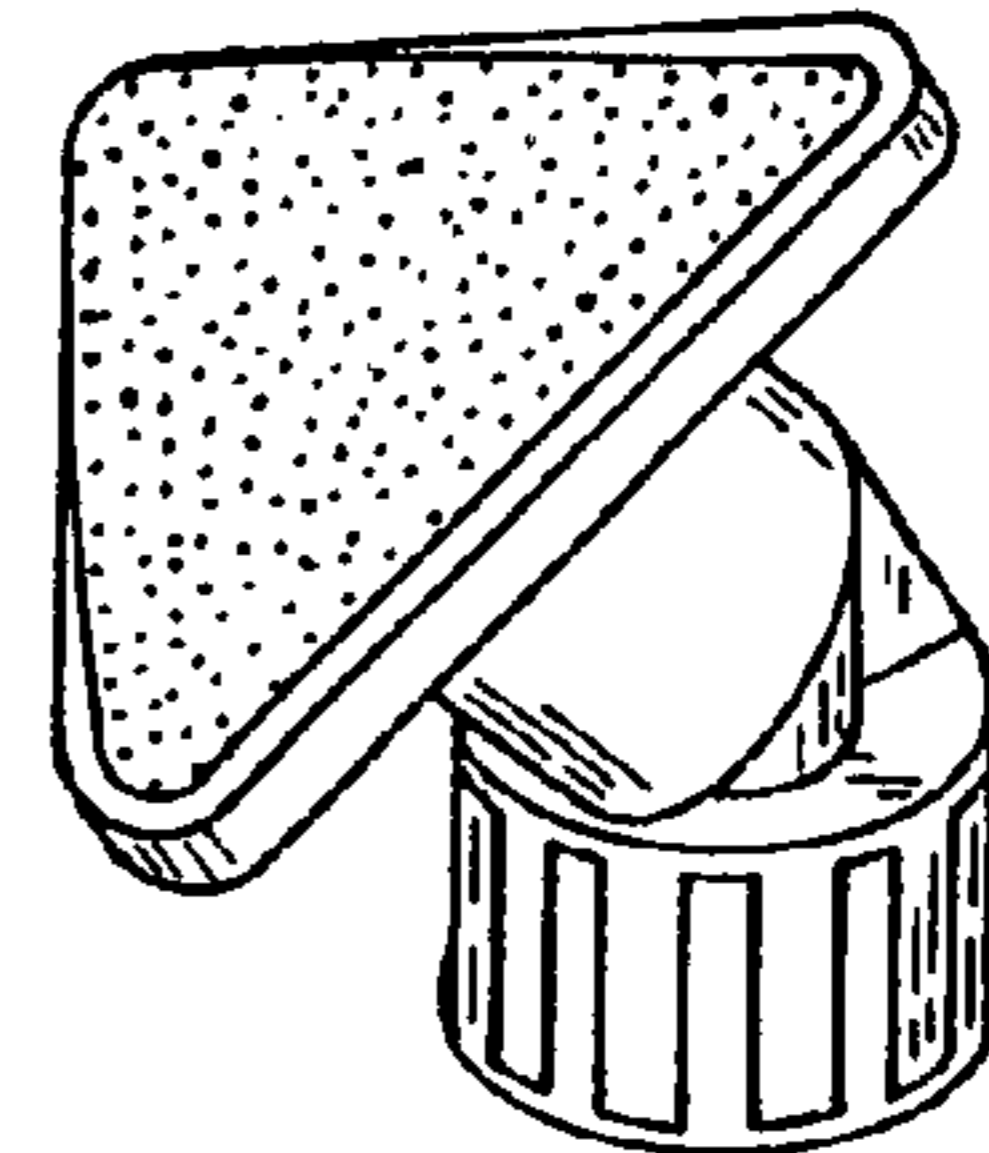


FIG. 13

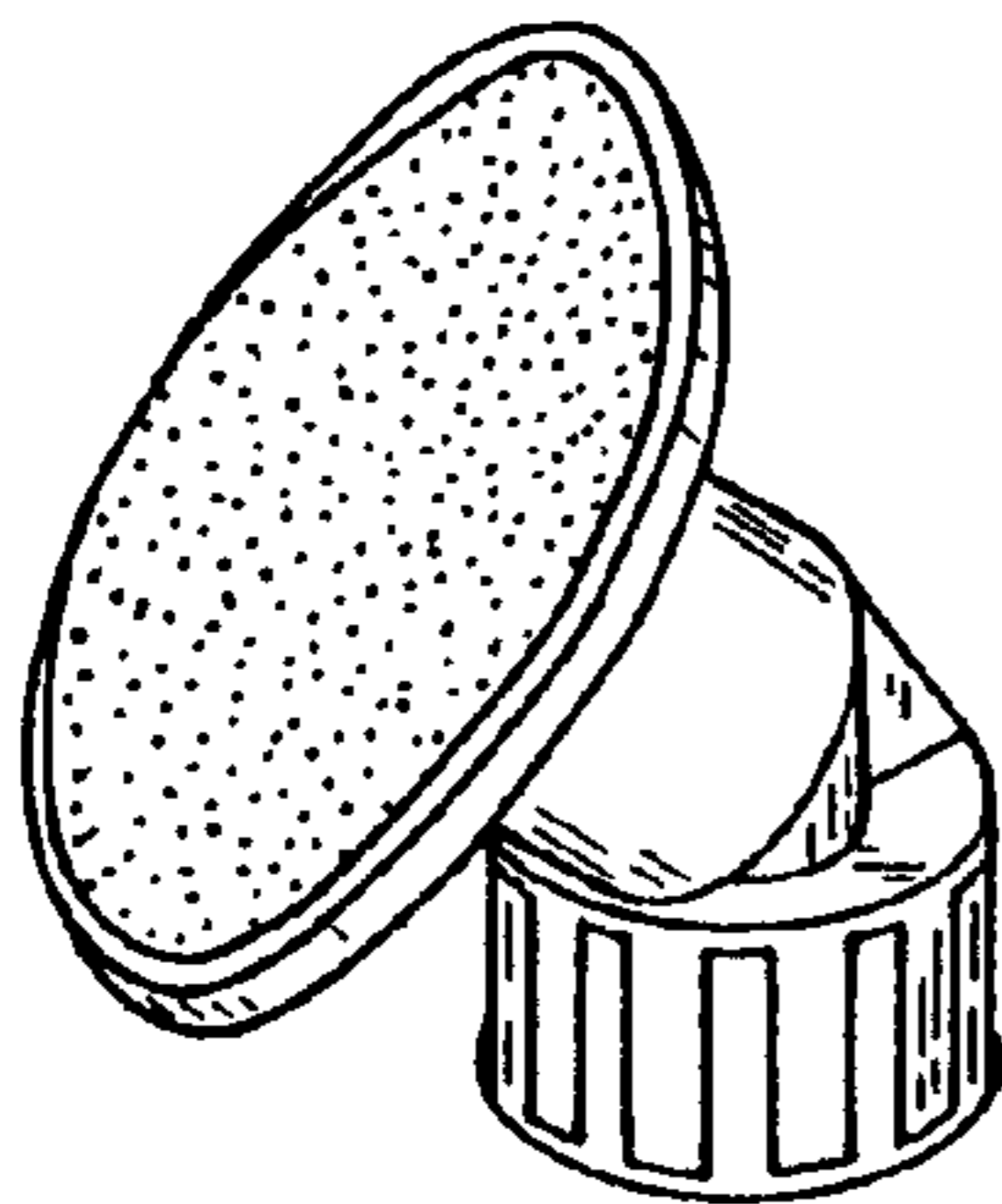


FIG. 14

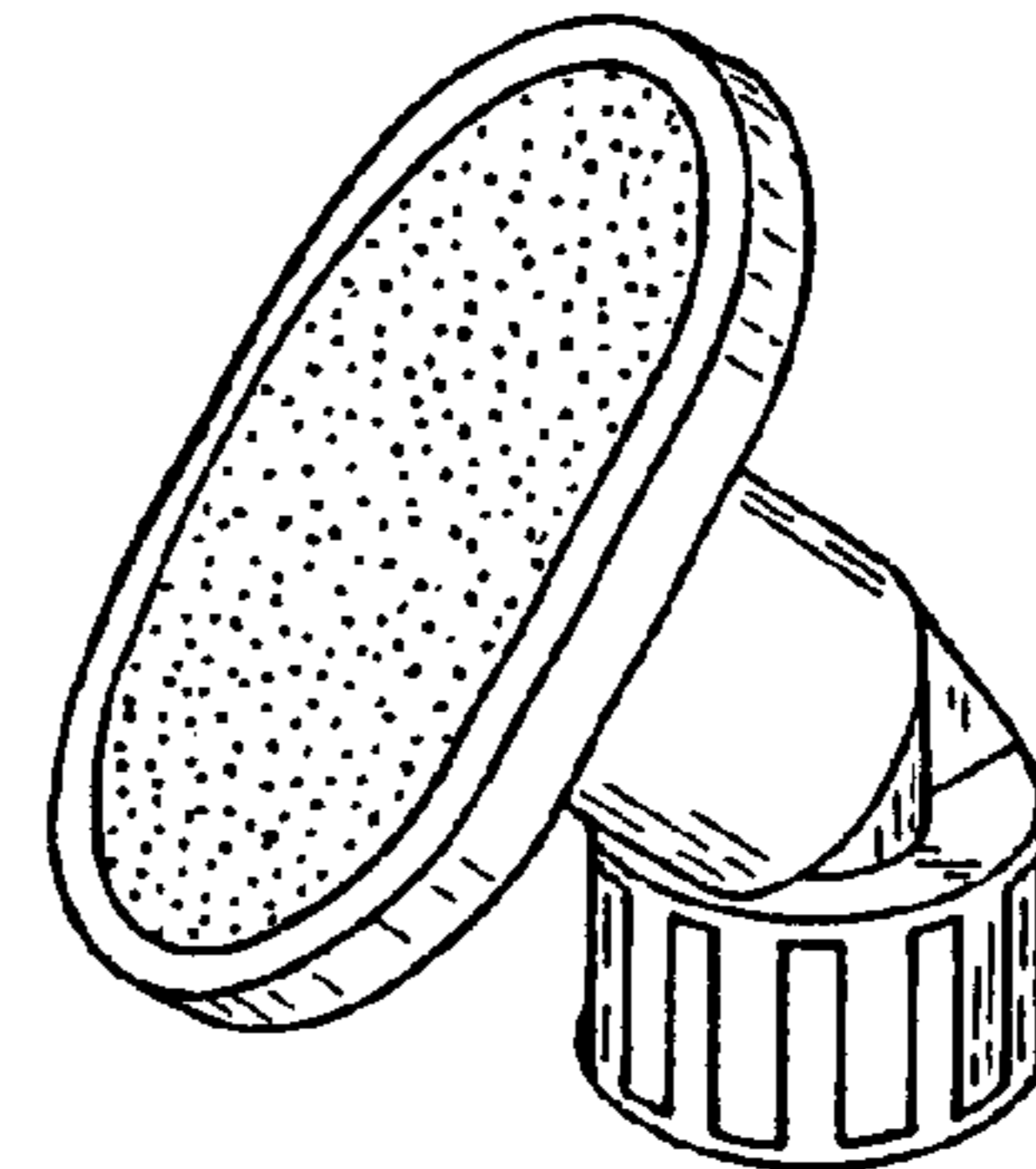


FIG. 15

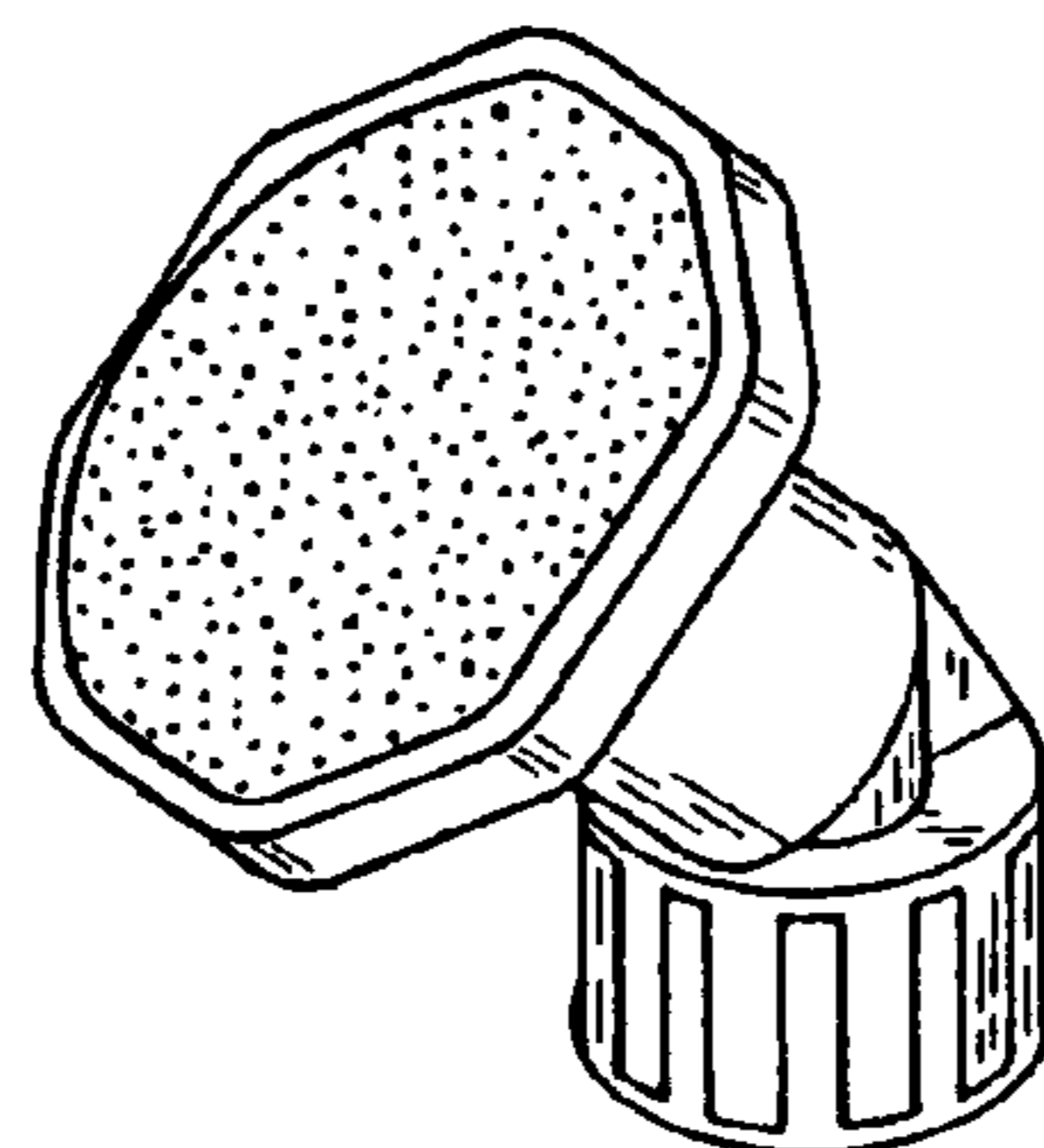


FIG. 16

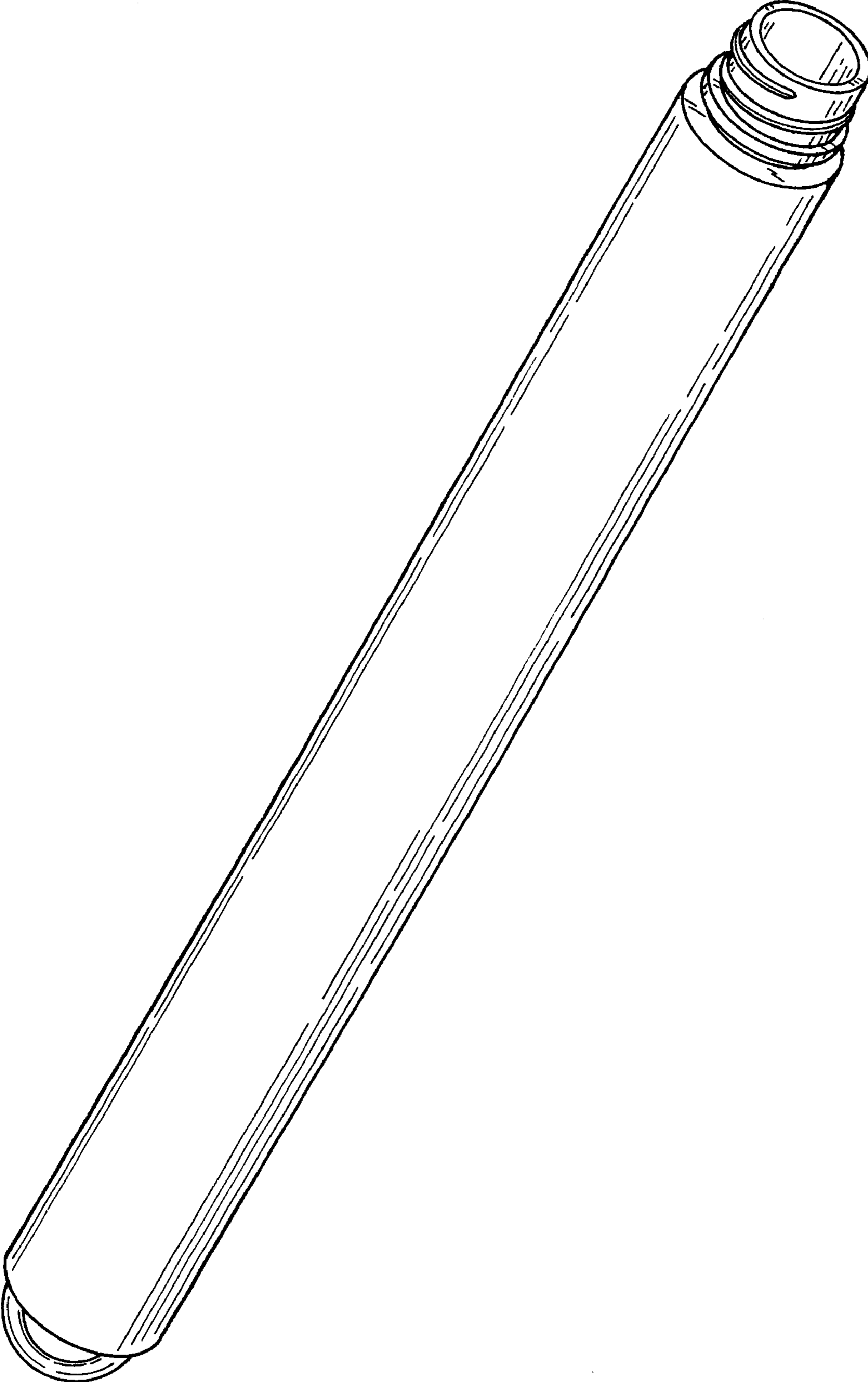


FIG.17