



US00D514738S

(12) **United States Design Patent**
Wachter

(10) **Patent No.:** **US D514,738 S**
(45) **Date of Patent:** **** Feb. 7, 2006**

(54) **SUSPENDED LIGHT FIXTURE CANOPY**

(57) **CLAIM**

(75) **Inventor:** **Peter F. Wachter**, Northfield, IL (US)

The ornamental design for a suspended light fixture canopy, as shown and described.

(73) **Assignee:** **Juno Manufacturing, Inc.**, Des Plaines, IL (US)

DESCRIPTION

(**) **Term:** **14 Years**

This application is related to the following: (1) U.S. Design Application Ser. No. 29/188,793 entitled "Light Fixture Having a Square Grid Cell With Arcuate Cross-Members" filed concurrently, having the same inventor and assignee as the present application; and (2) U.S. Design Application Ser. No. 29/188,791 entitled "Light Fixture Having A Square Grid Cell With An Arched Trim" filed concurrently, having the same inventor and assignee as the present application.

(21) **Appl. No.:** **29/188,799**

(22) **Filed:** **Aug. 22, 2003**

(51) **LOC (8) Cl.** **26-99**

(52) **U.S. Cl.** **D26/142; D26/63**

(58) **Field of Classification Search** D26/61, D26/63-66, 143, 72, 74, 76, 78, 90, 80, 84, D26/113, 118, 138, 142; 362/216, 225, 236, 362/237, 240, 241, 268, 283, 287, 291, 404, 362/407, 408, 372

See application file for complete search history.

FIG. 1 is a perspective view of a suspended light fixture canopy showing the new design;

FIG. 2 is a front view of the suspended light fixture canopy as shown in FIG. 1, the reverse side being a mirror image of the front view;

FIG. 3 is a side view of the suspended light fixture canopy as shown in FIG. 1, the opposite side being a mirror image of this side view;

FIG. 4 is a top view of the suspended light fixture canopy as shown in FIG. 1; and,

FIG. 5 is a bottom view of the suspended light fixture canopy as shown in FIG. 1 with the light fixture removed.

Features shown in dashed lines immediately adjacent the shaded areas or adjacent the solid lines represent the bounds of the claim and all other dashed lines are for illustrative purposes only. None of the dashed lines form a part of the claimed design.

(56) **References Cited**

U.S. PATENT DOCUMENTS

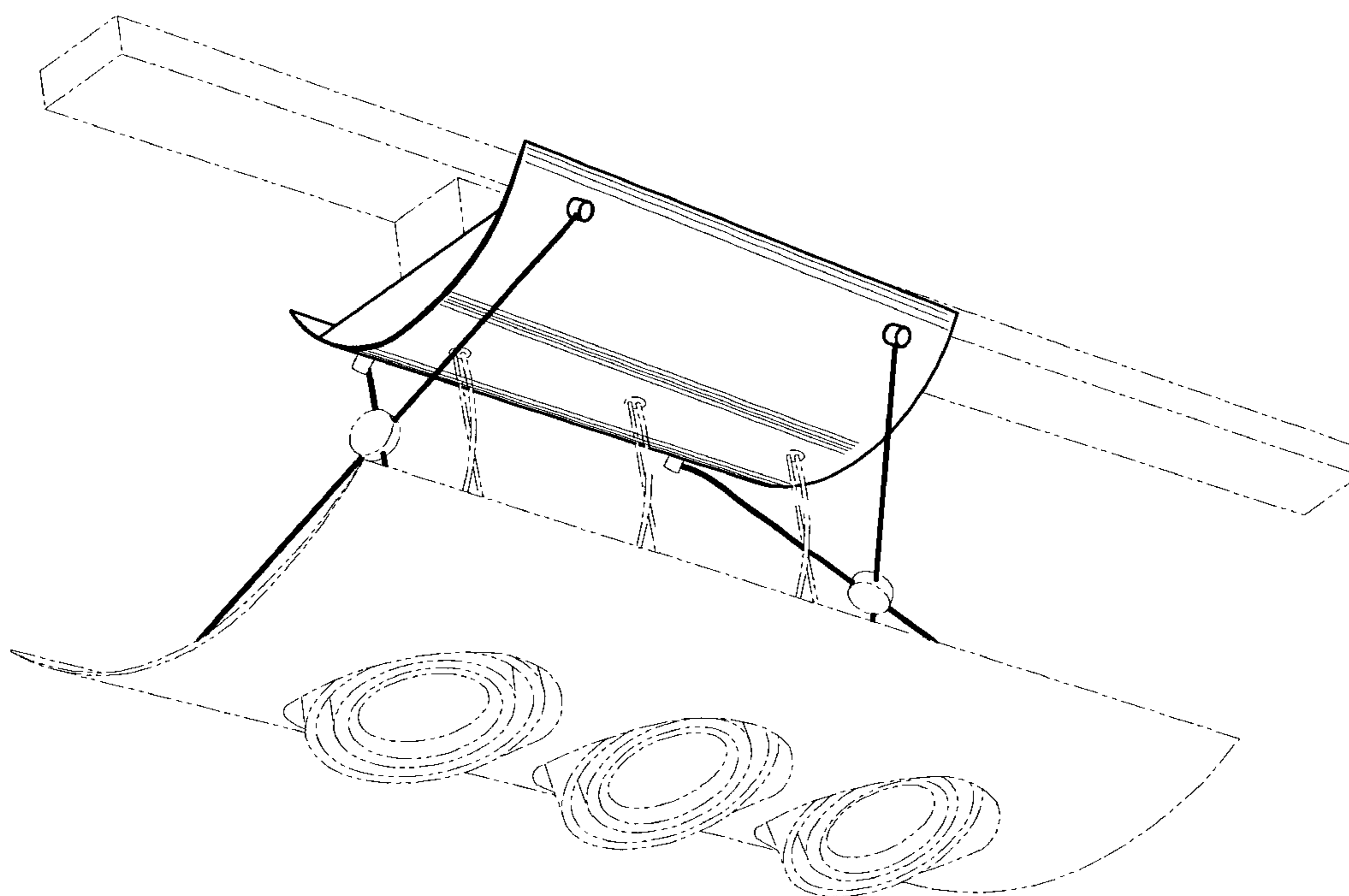
D16,950 S	*	10/1886	Clarke	D26/138
2,293,672 A	*	8/1942	Bookman, Jr.	362/355
2,522,230 A	*	9/1950	Komulaine	362/341
D197,246 S	*	12/1963	Lambert	D26/142
6,305,816 B1	*	10/2001	Corcoran et al.	362/147
D463,061 S	*	9/2002	Ludwig	D26/118
D472,668 S	*	4/2003	Herst et al.	D26/118

* cited by examiner

Primary Examiner—Clare E Heflin

(74) *Attorney, Agent, or Firm*—Sonnenschein Nath & Rosenthal LLP

1 Claim, 3 Drawing Sheets



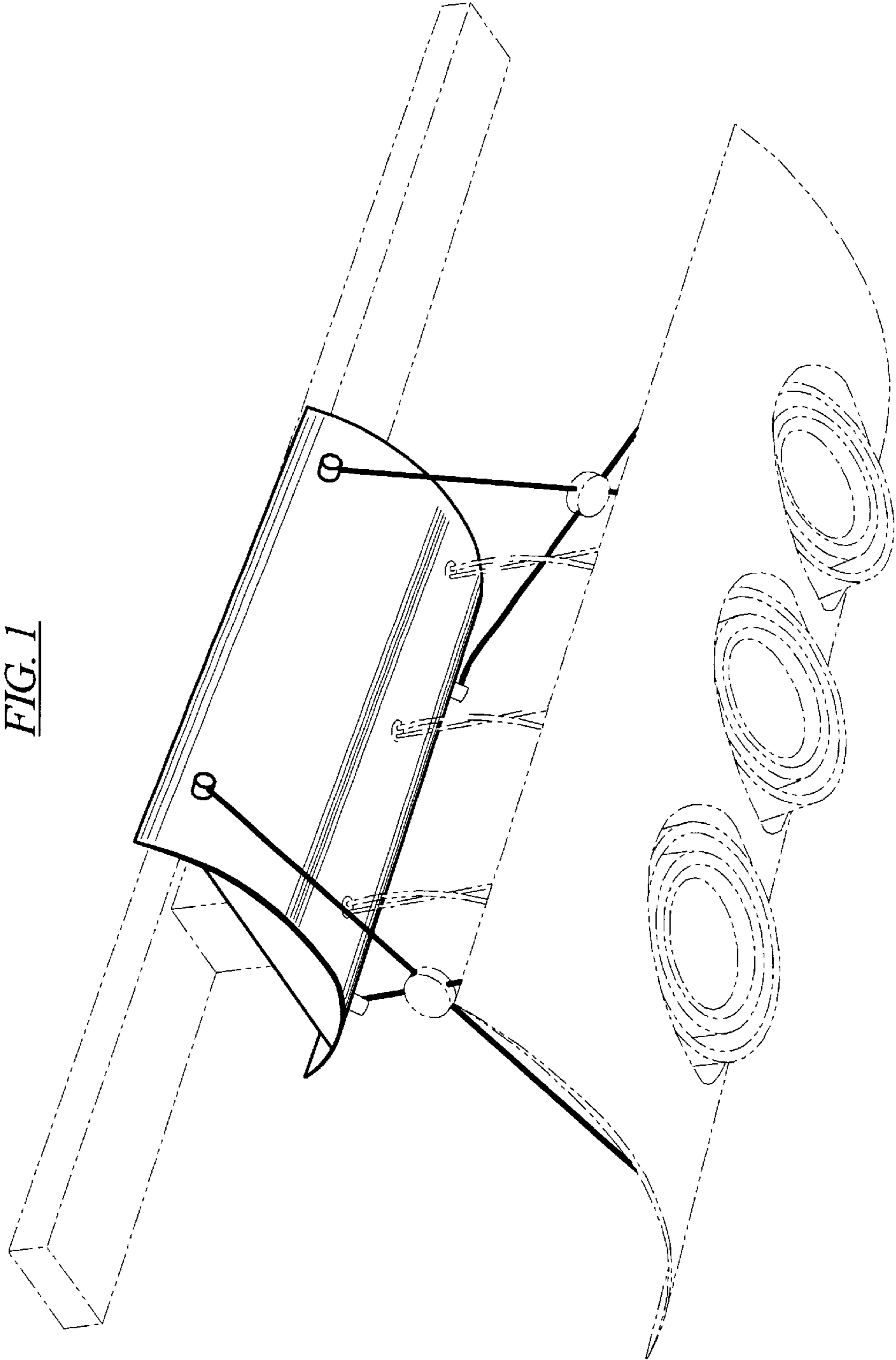


FIG. 1

FIG. 3

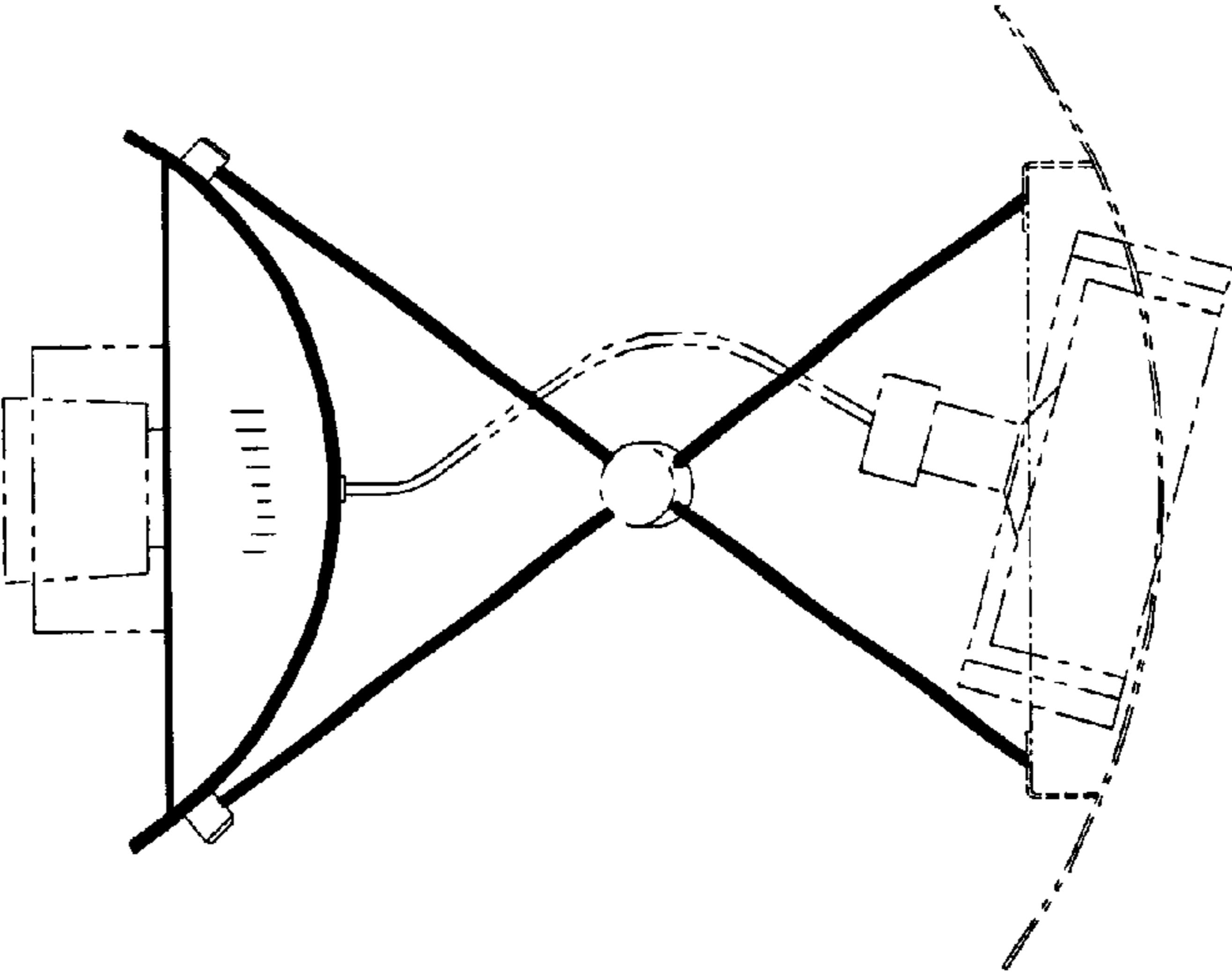


FIG. 2

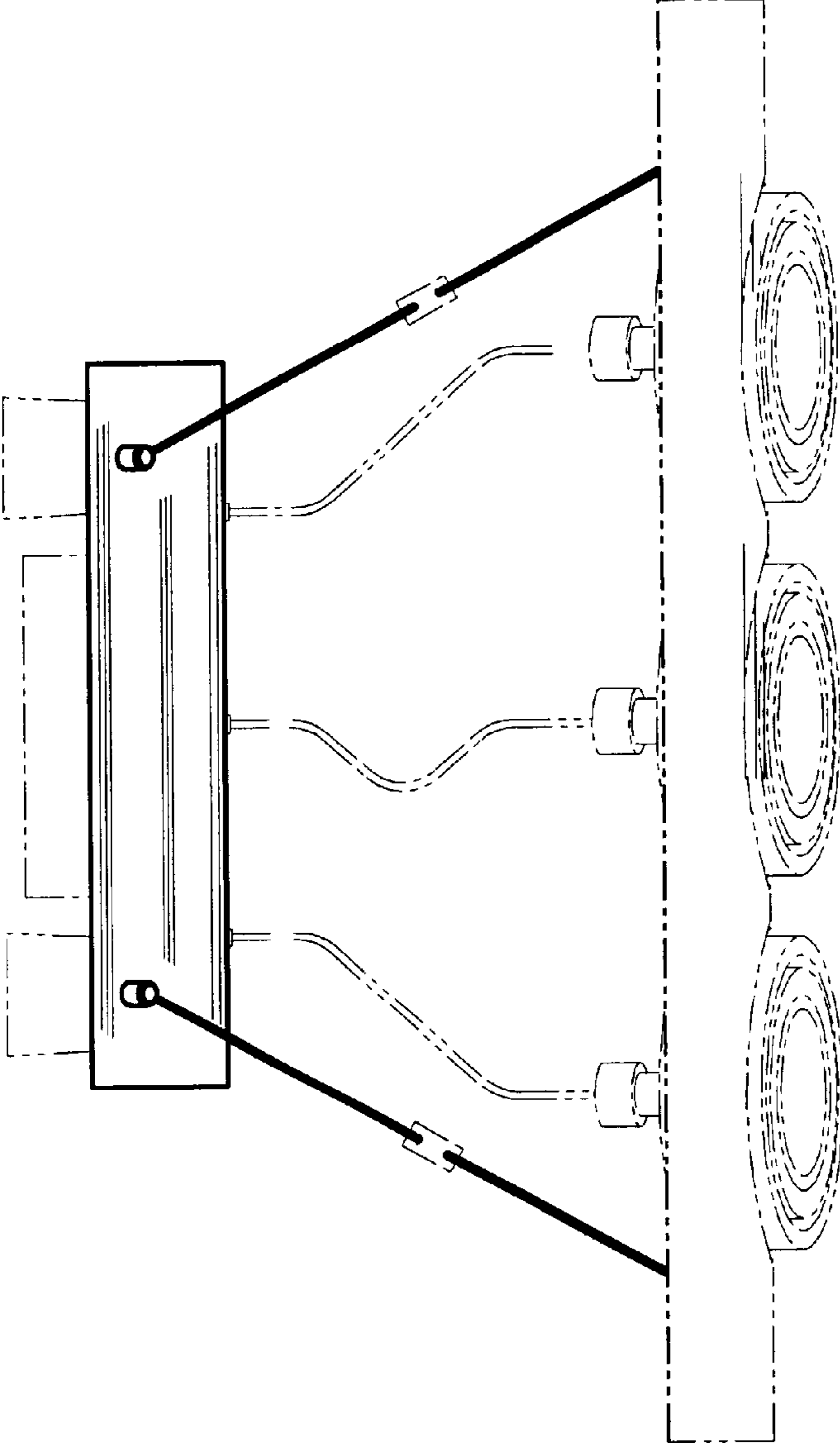


FIG. 4

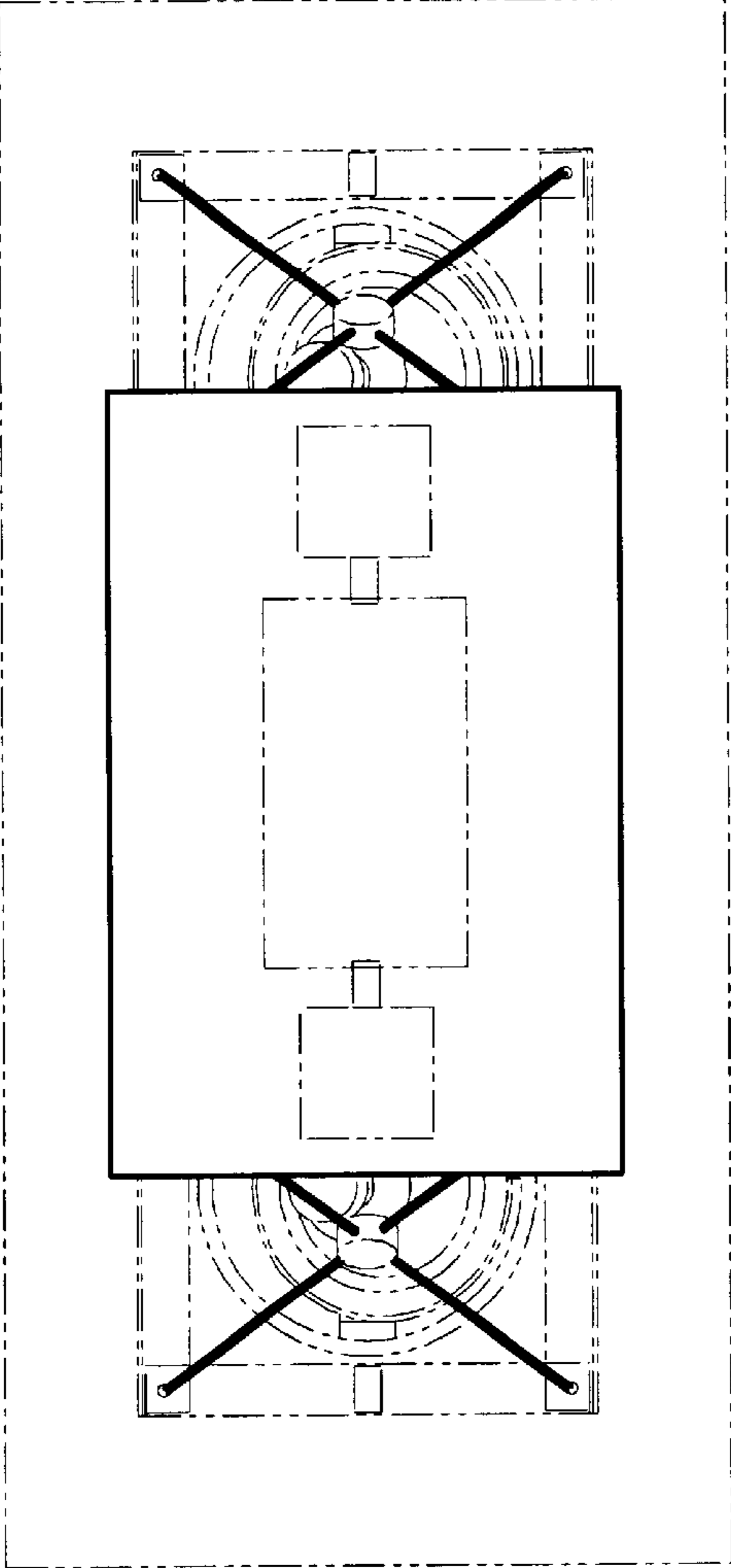


FIG. 5

