

US00D514734S

(12) **United States Design Patent** (10) **Patent No.:** **US D514,734 S**
Lo (45) **Date of Patent:** **** Feb. 7, 2006**

(54) **GOLF CLUB LAMP**

D463,598 S 9/2002 Sonneman

(75) Inventor: **David Lo**, Taipei (TW)

* cited by examiner

(73) Assignee: **The Holmes Group, Inc.**, Milford, MA (US)

Primary Examiner—Alan P. Douglas

Assistant Examiner—Linda Brooks

(74) *Attorney, Agent, or Firm*—Hoffmann & Baron, LLP; Francis E. Marino

(**) Term: **14 Years**

(57) **CLAIM**

(21) Appl. No.: **29/168,287**

The ornamental design for a golf club lamp, as shown and described.

(22) Filed: **May 3, 2004**

(51) **LOC (8) Cl.** **26-03**

(52) **U.S. Cl.** **D26/94**

(58) **Field of Classification Search** D26/51, D26/57, 93-112; 362/410-414, 806; D21/747-752, D21/733, 735; 473/203, 219, 300-303, 316-323, 473/304, 313, 340-350

See application file for complete search history.

DESCRIPTION

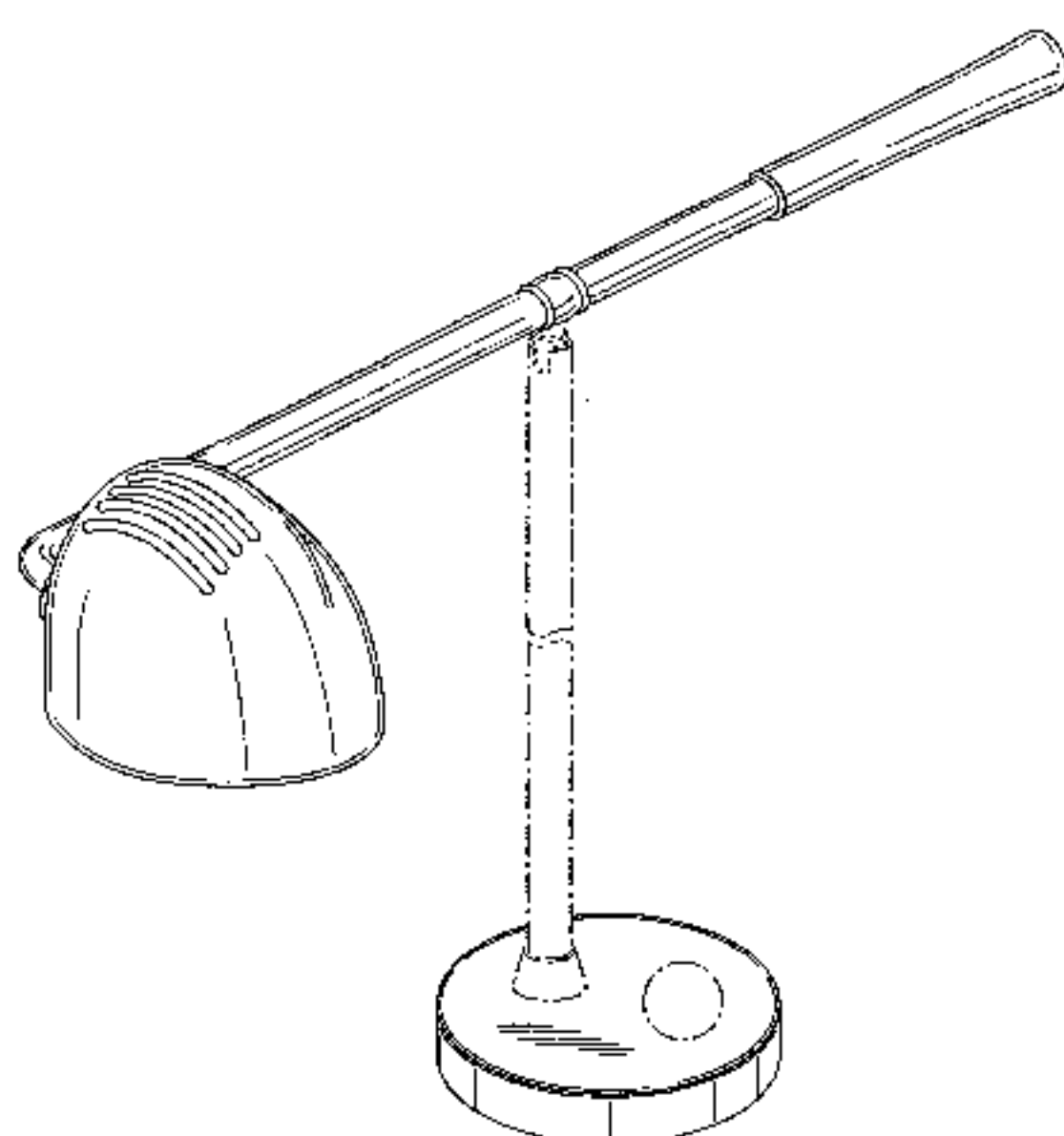
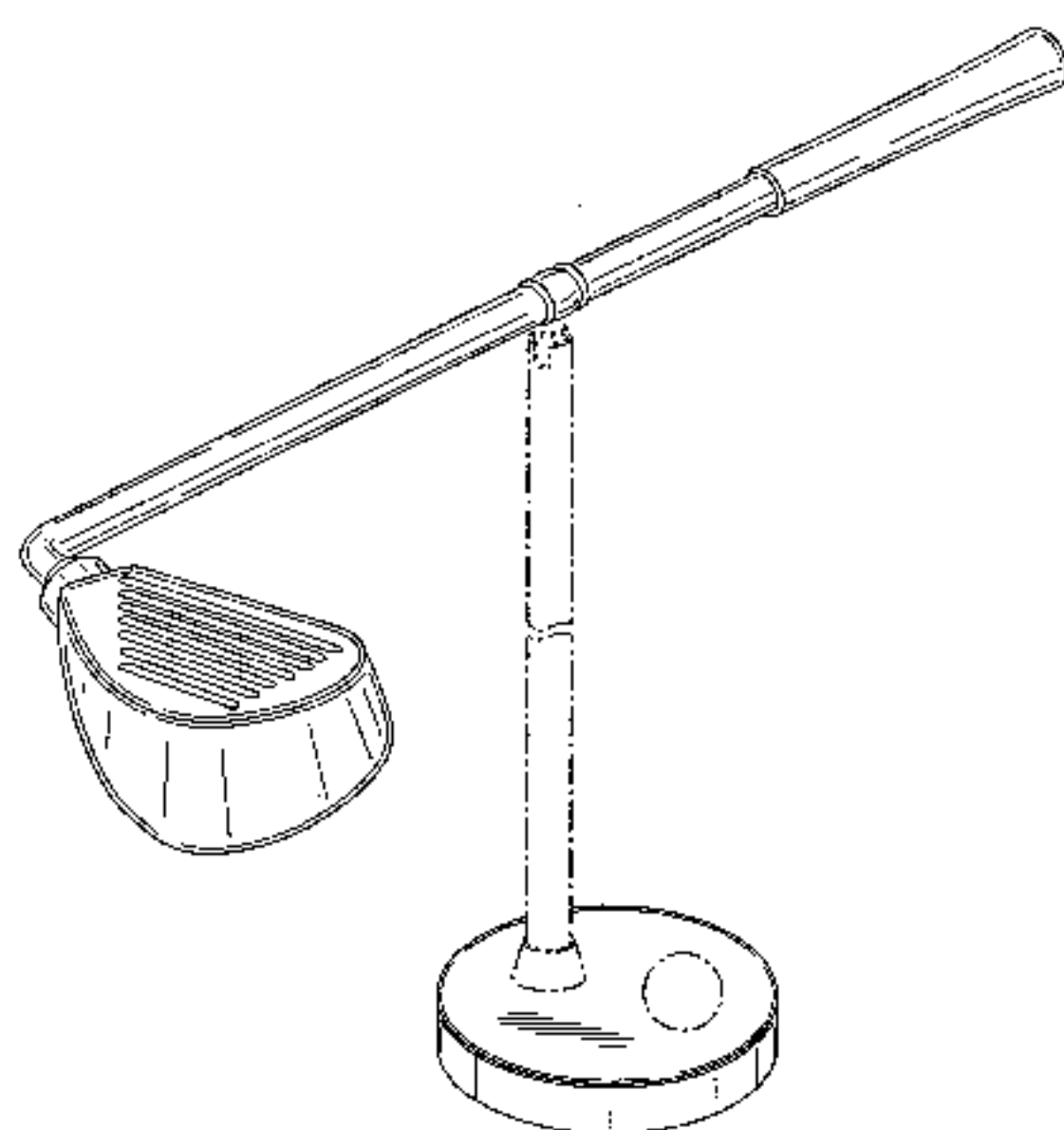
(56) **References Cited**

U.S. PATENT DOCUMENTS

D28,735 S	5/1898	Rayment	
D127,850 S	6/1941	Clement	
D235,915 S	7/1975	Desrochers	
D304,093 S	10/1989	Holter	
D328,150 S	7/1992	Tseng	
D335,190 S	4/1993	Blet	
D342,802 S	12/1993	Barletta	
D343,696 S	1/1994	Ruxer	
D348,323 S	6/1994	Tseng	
D430,686 S	9/2000	Gismondi	
6,139,446 A	* 10/2000	Wanchena 473/328

FIG. 1 is a top perspective view of a golf club lamp showing my new design;
 FIG. 2 is a front elevation view thereof;
 FIG. 3 is a top plan view thereof;
 FIG. 4 is a side elevation view thereof;
 FIG. 5 is a side elevation view thereof, showing the side opposite from that shown in FIG. 4;
 FIG. 6 is a rear elevation view thereof;
 FIG. 7 is a top perspective view of a second embodiment of a golf club lamp showing my new design;
 FIG. 8 is a front elevation view thereof;
 FIG. 9 is a top plan view thereof;
 FIG. 10 is a side elevation view thereof;
 FIG. 11 is a side elevation view thereof showing the side opposite from that shown in FIG. 10; and,
 FIG. 12 is a rear elevation view thereof.
 The subject matter shown in broken lines is for illustrative purposes only and forms no part of the claimed design.

1 Claim, 10 Drawing Sheets



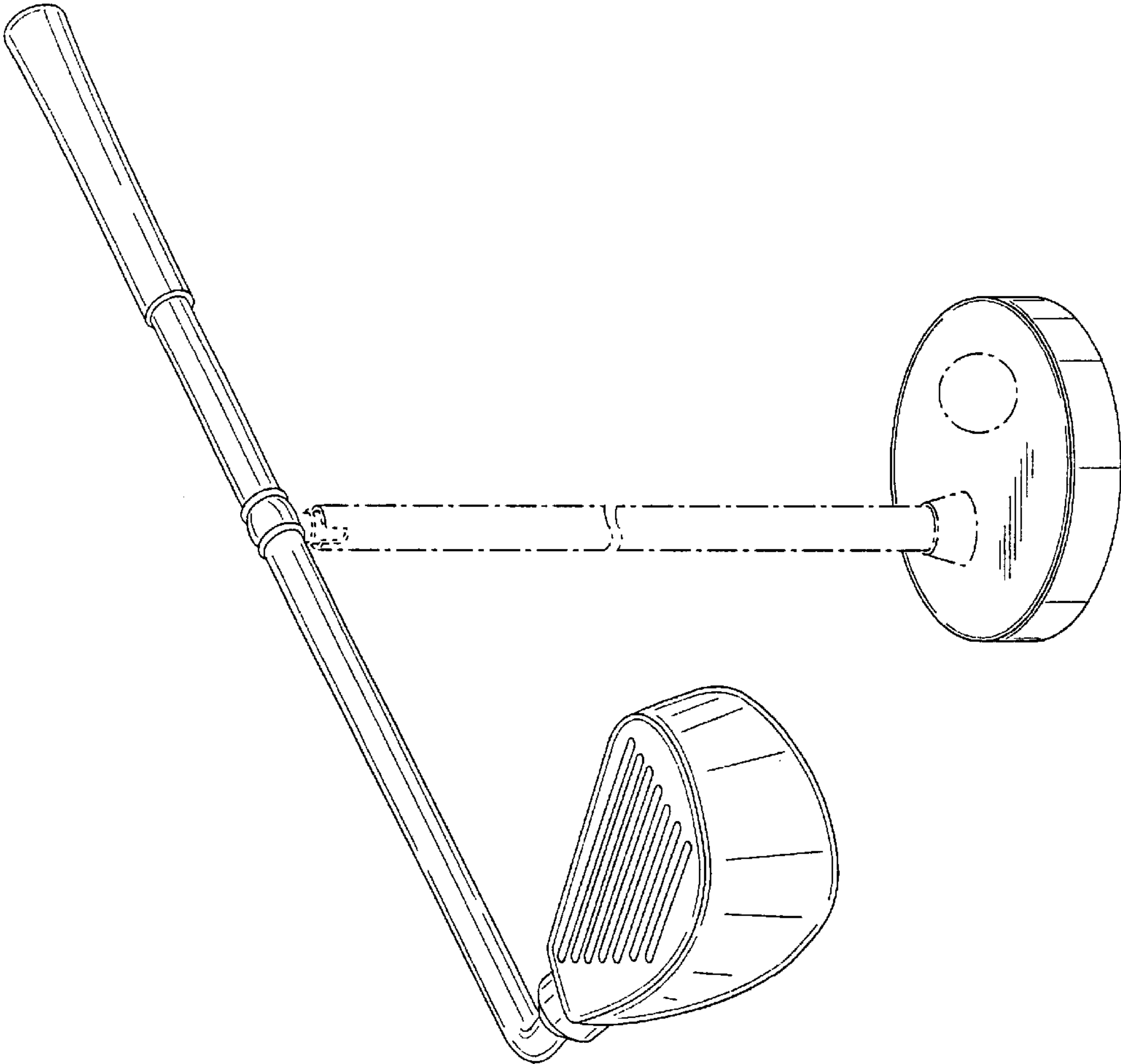
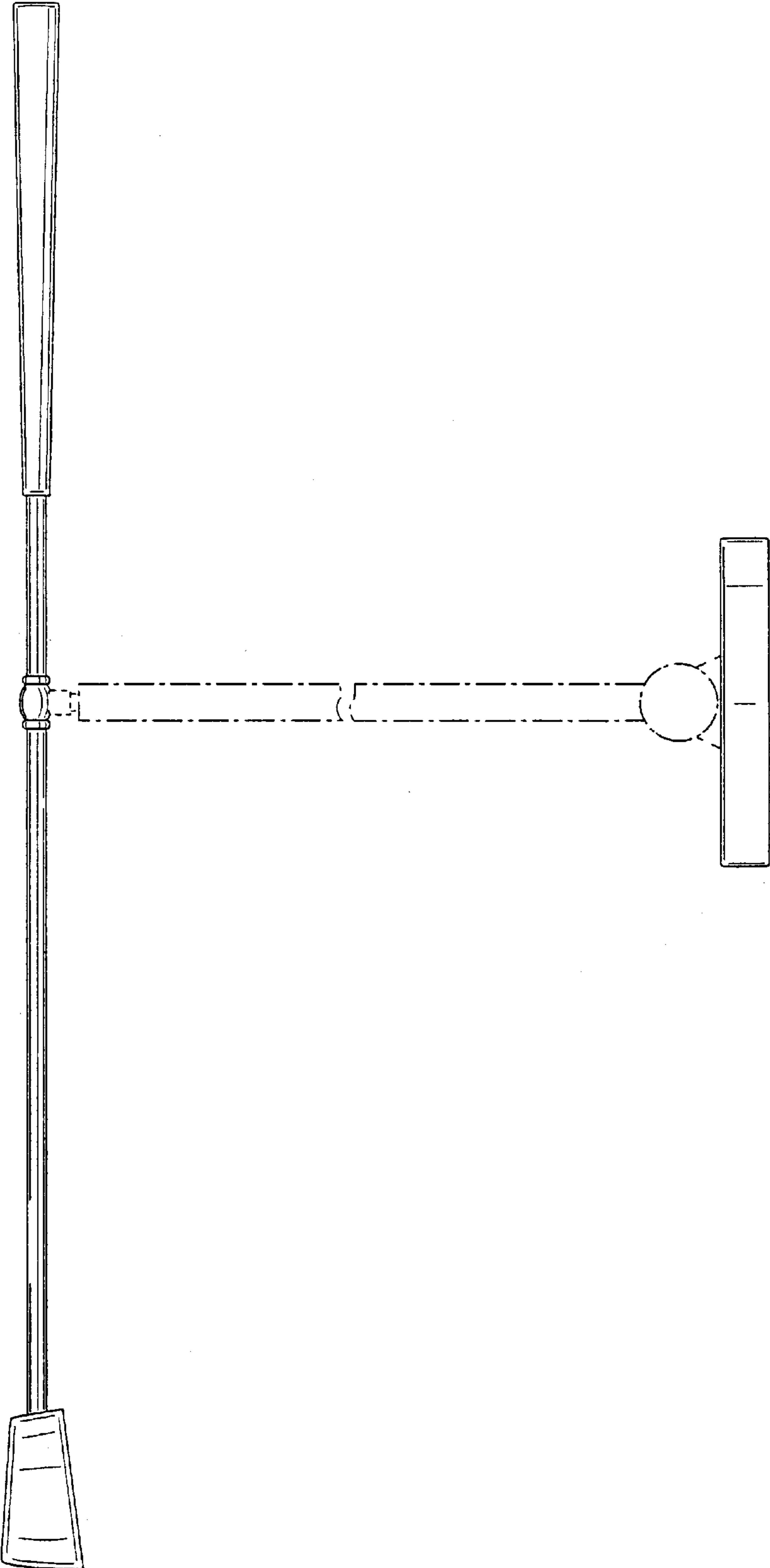


FIG. 1

FIG. 2



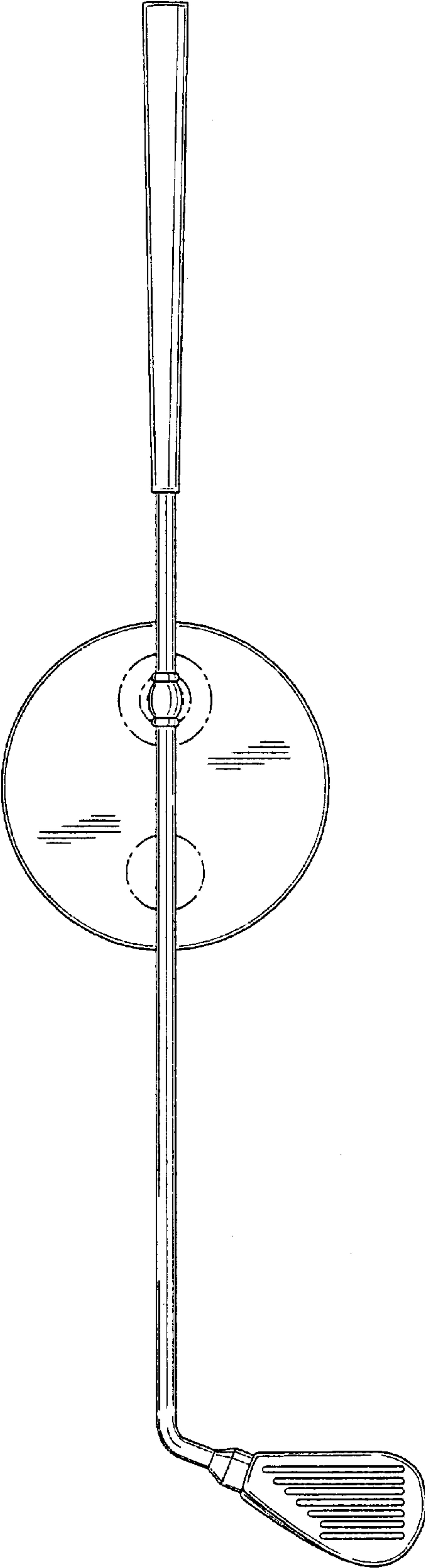


FIG. 3

FIG. 5

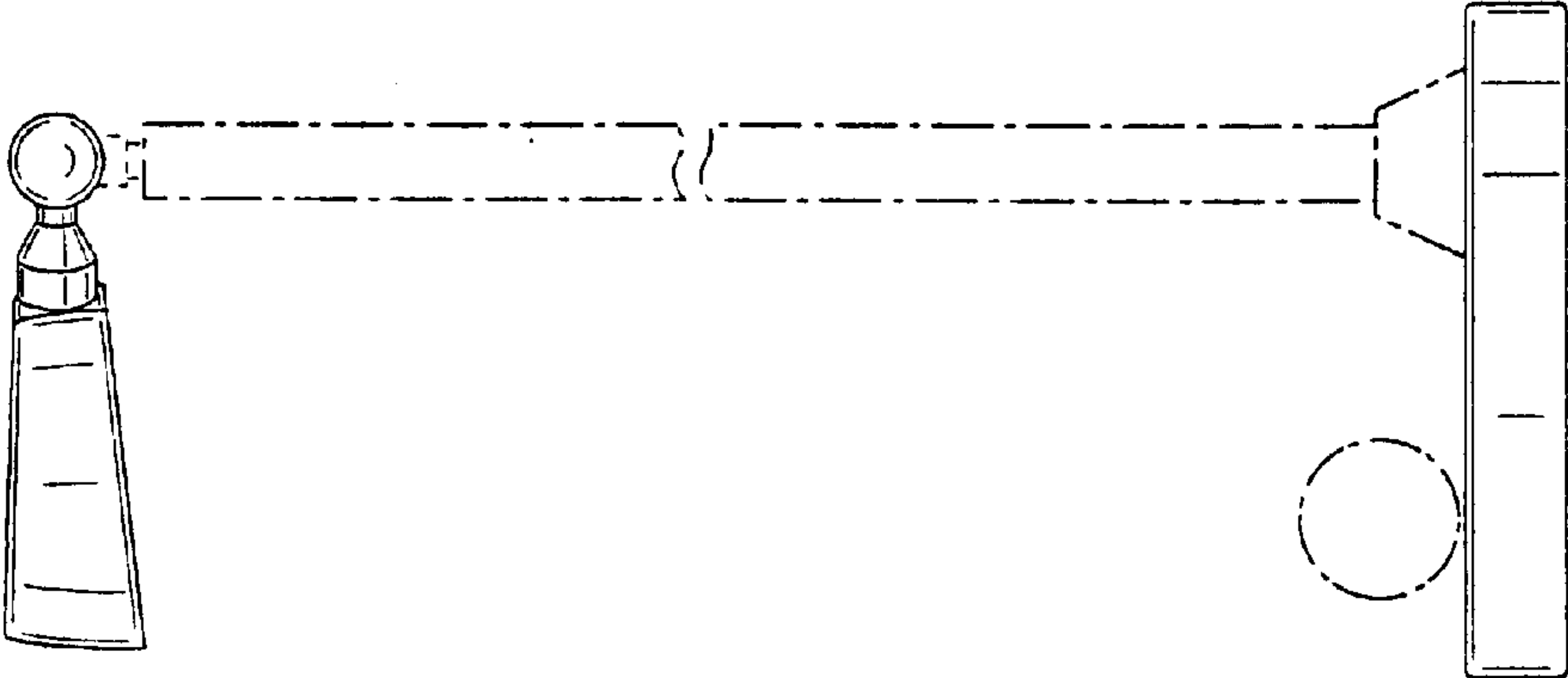


FIG. 4

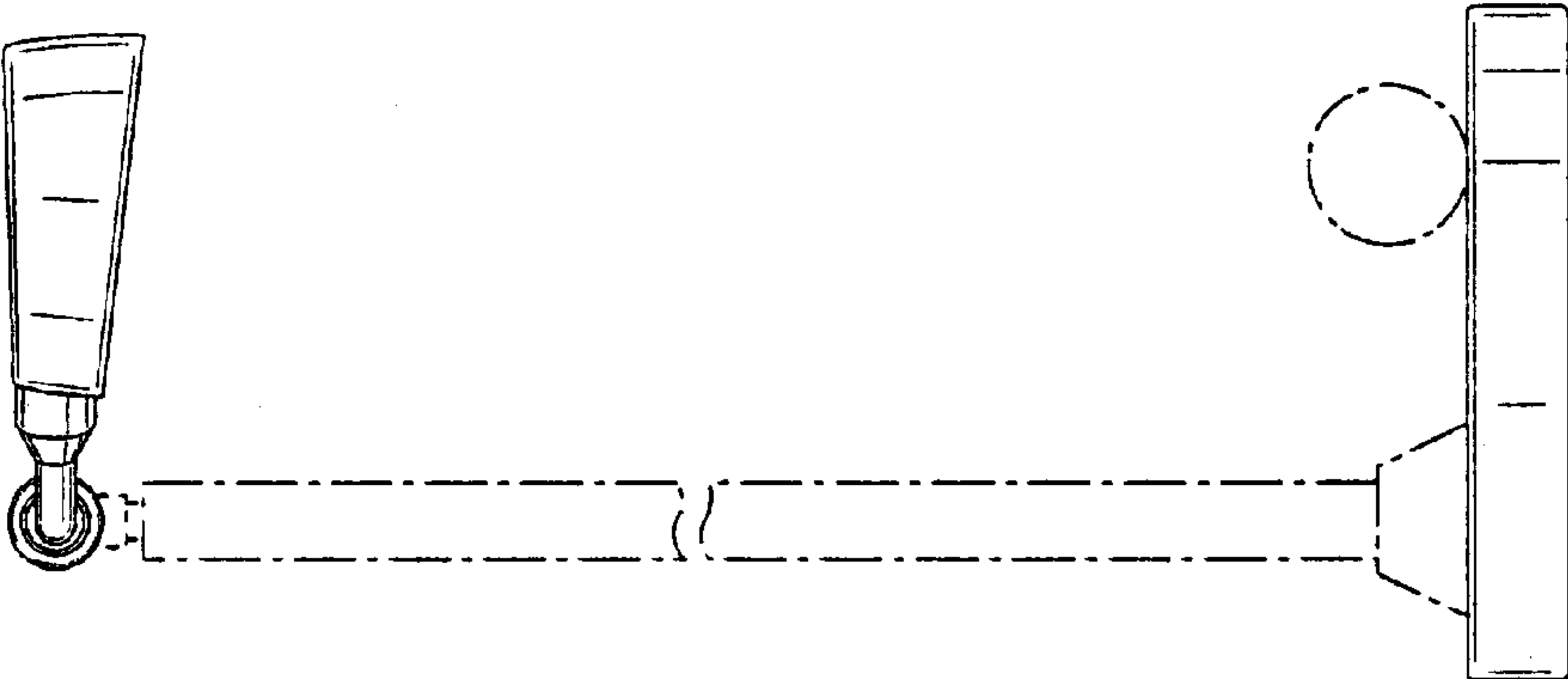
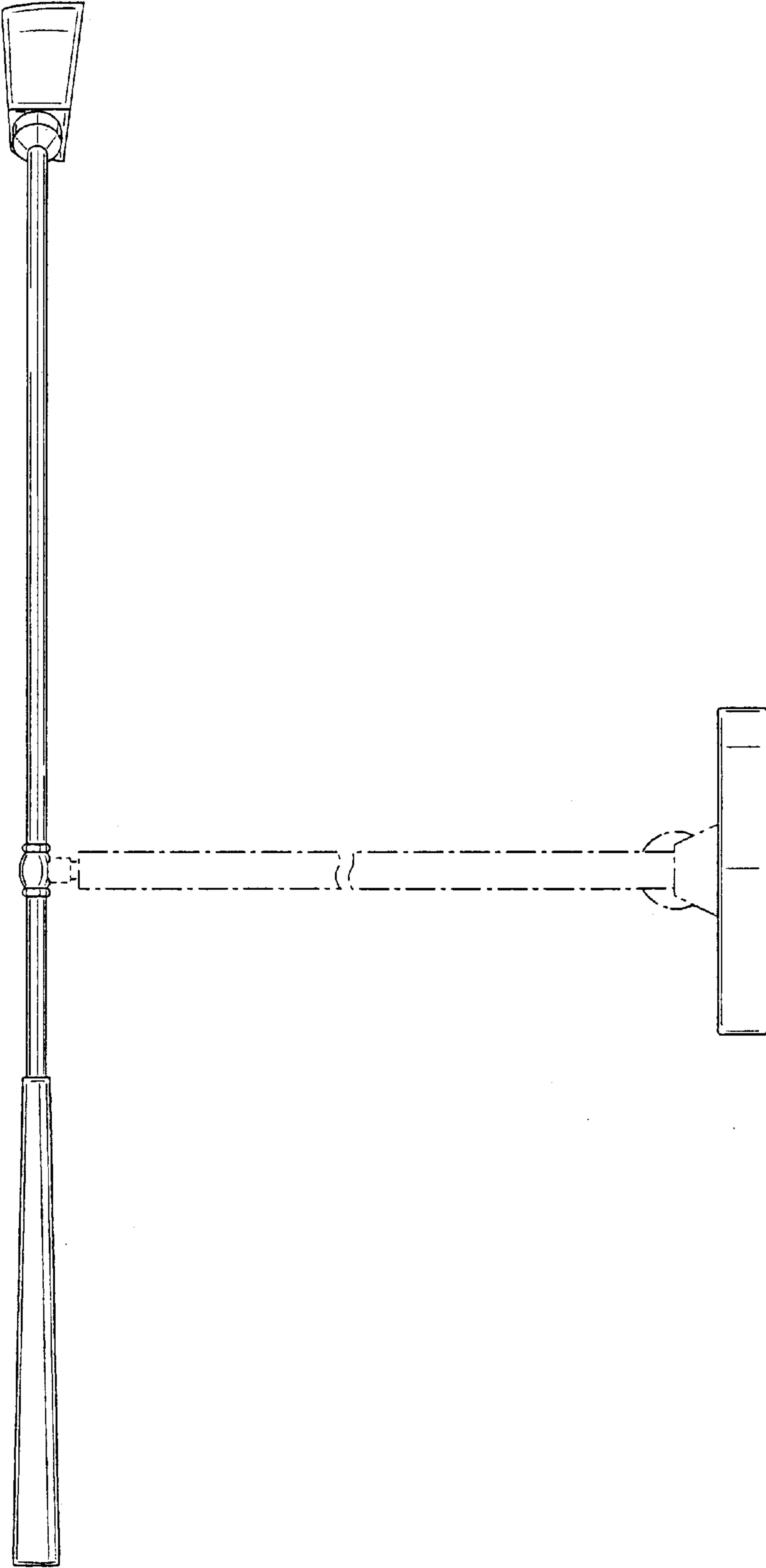


FIG. 6



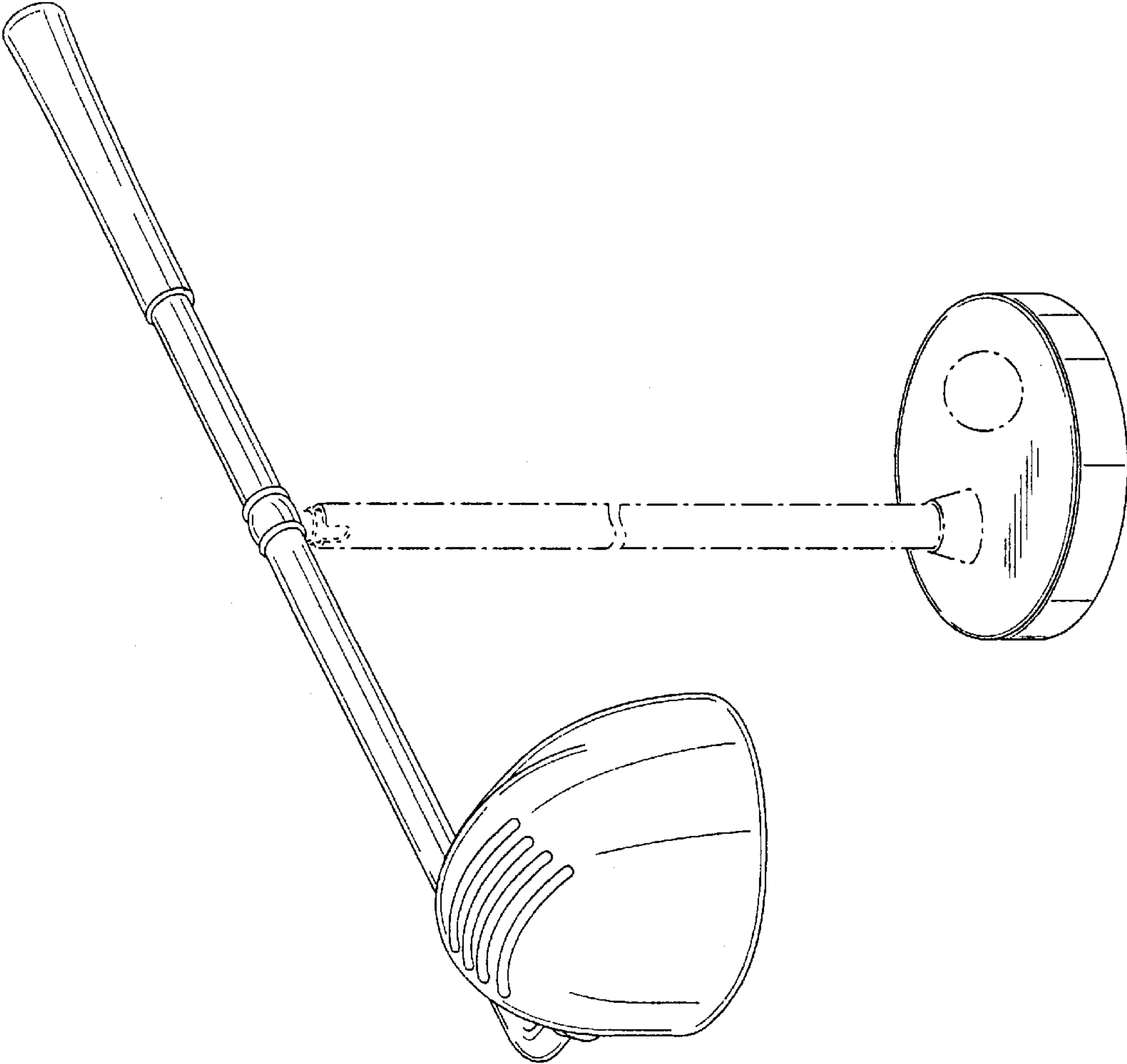
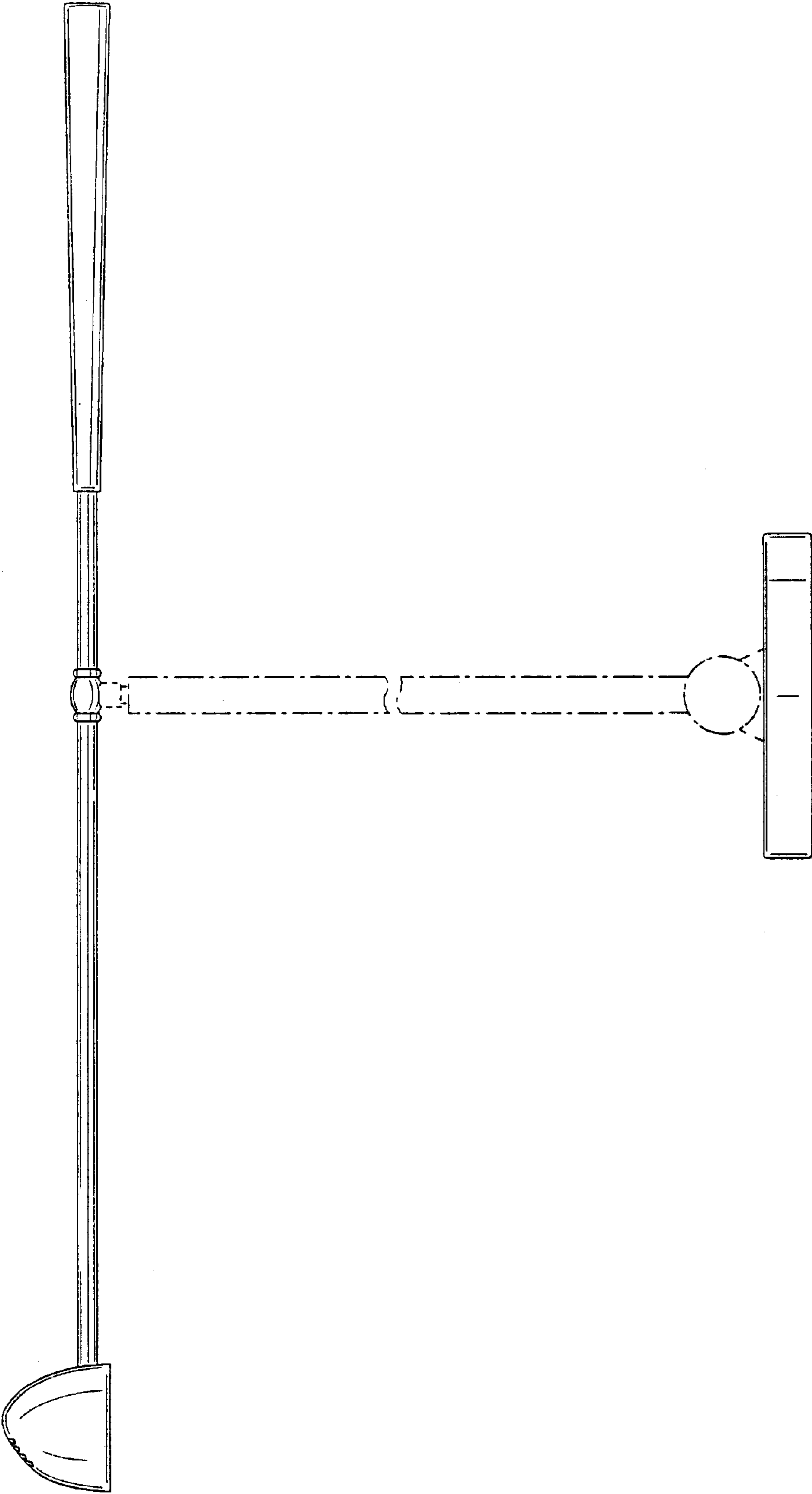


FIG. 7

FIG. 8



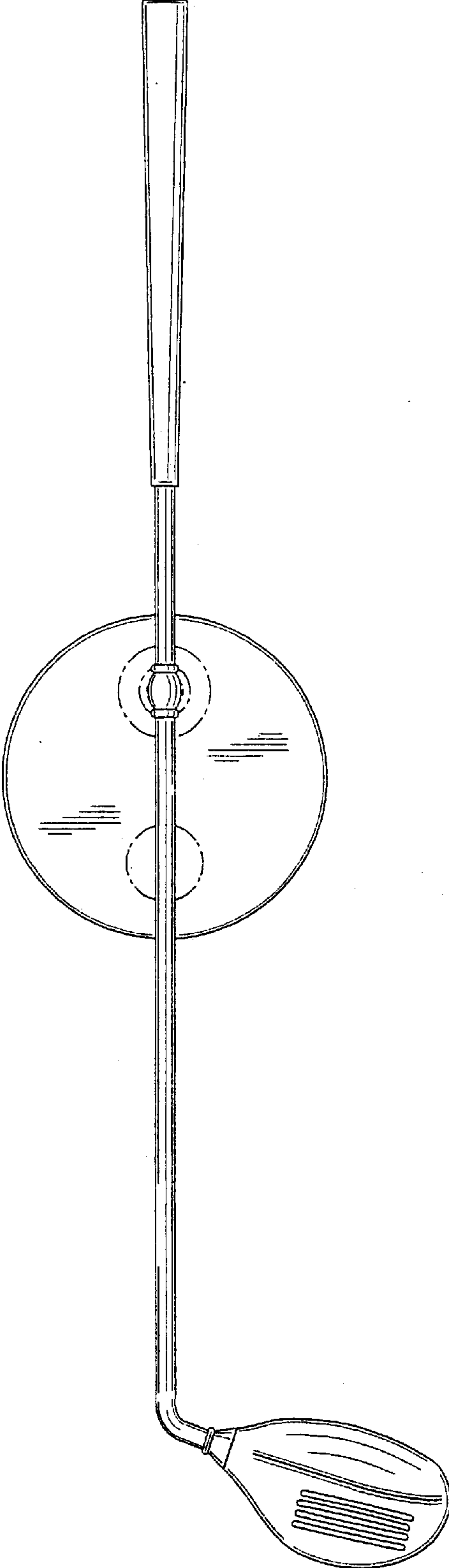


FIG. 9

FIG. 11

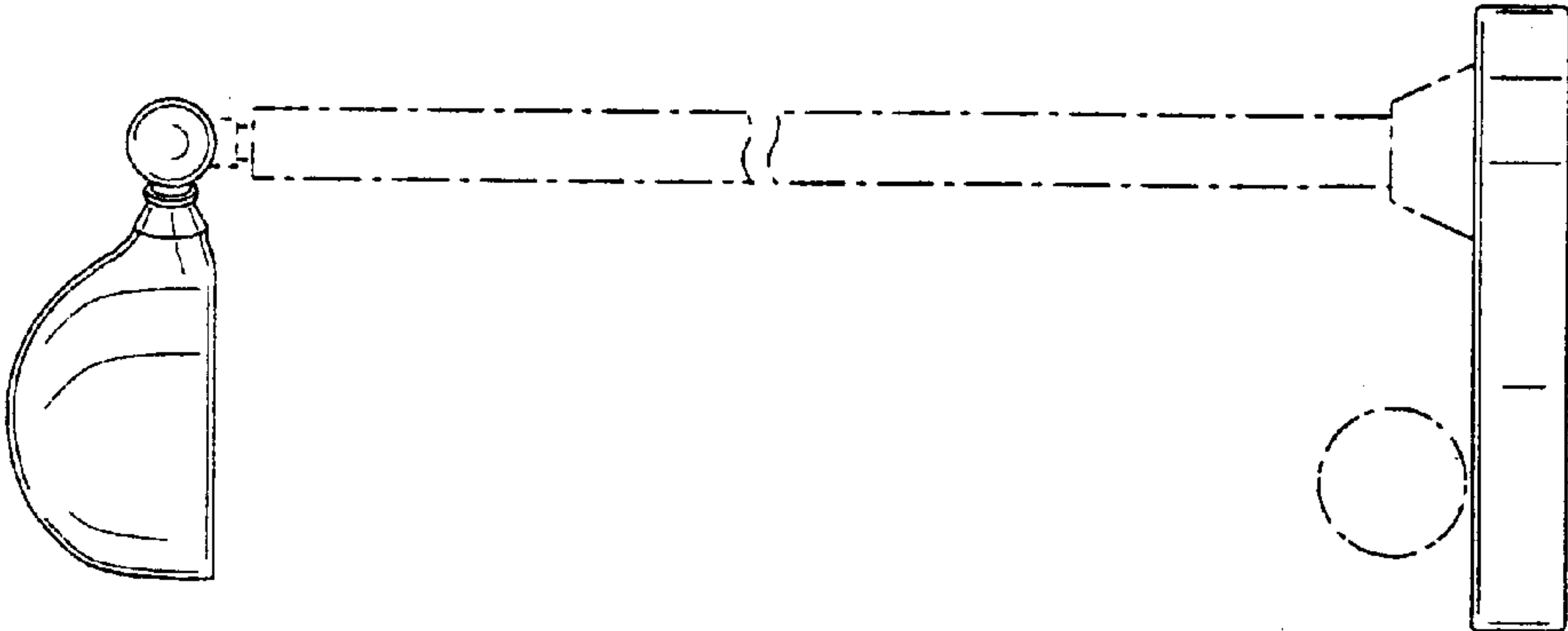


FIG. 10

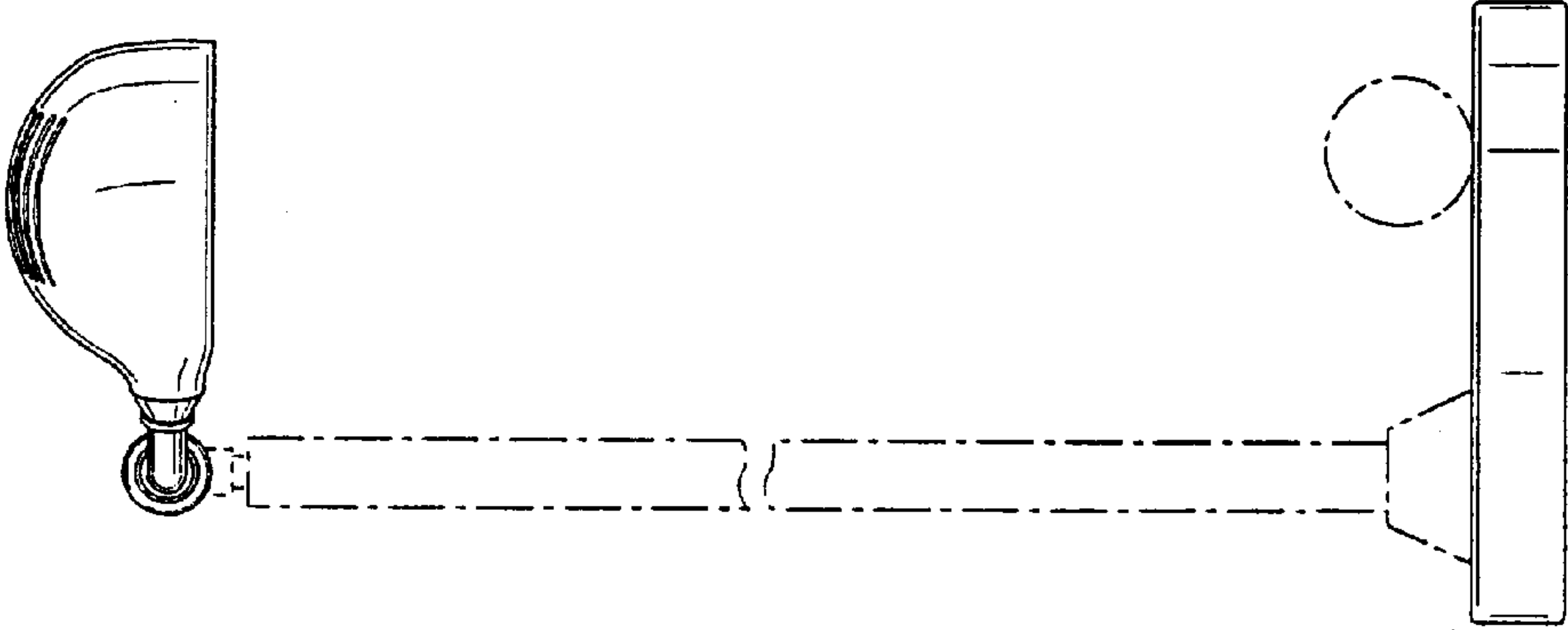


FIG. 12

