



US00D514732S

(12) **United States Design Patent**
Benensohn

(10) **Patent No.:** **US D514,732 S**
(45) **Date of Patent:** **** Feb. 7, 2006**

(54) **LIGHTING FIXTURE**

(75) **Inventor:** **Sanford H. Benensohn**, Valencia, CA (US)

(73) **Assignee:** **Lusa Lighting, Inc.**, Valencia, CA (US)

(**) **Term:** **14 Years**

(21) **Appl. No.:** **29/217,685**

(22) **Filed:** **Nov. 22, 2004**

(51) **LOC (8) Cl.** **26-03**

(52) **U.S. Cl.** **D26/89**

(58) **Field of Classification Search** D26/24,
D26/27, 59, 72, 79, 128, 131; 362/147, 404-408,
362/432

See application file for complete search history.

(56) **References Cited**

U.S. PATENT DOCUMENTS

D212,899 S	*	12/1968	Vesely	D26/24
4,071,749 A	*	1/1978	Balogh	362/20
D352,797 S	*	11/1994	Mehaffey	D26/85
D405,207 S	*	2/1999	Mora	D26/85
D496,487 S	*	9/2004	Rhee	D26/89
D499,505 S	*	12/2004	Benensohn	D26/89

OTHER PUBLICATIONS

CENS Lighting, Oct. 2002 catalog; Asiaalex item #AE6000 on p. 9.*

Progress Lighting 2000 catalog. Item #P7118 on p. 207.*

Illuminotechnica Nov./Dec. 1997. All items on p. 369.*

* cited by examiner

Primary Examiner—Clare E Heflin

(74) *Attorney, Agent, or Firm*—Michael A. Painter

(57) **CLAIM**

The ornamental design for a lighting fixture, as shown and described.

DESCRIPTION

FIG. 1 is a bottom perspective view of a lighting fixture illustrating my new design;

FIG. 2 is a bottom view thereof;

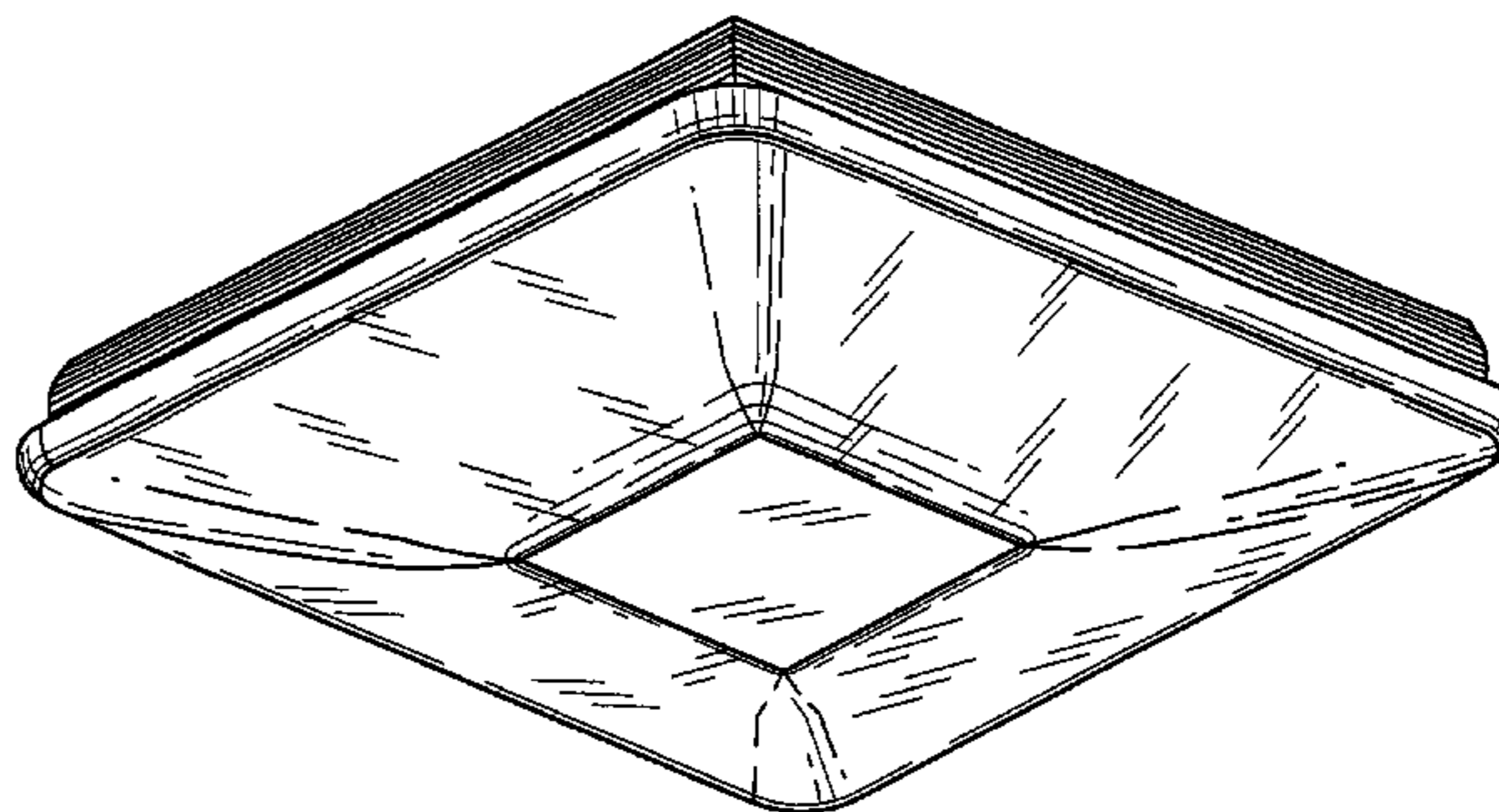
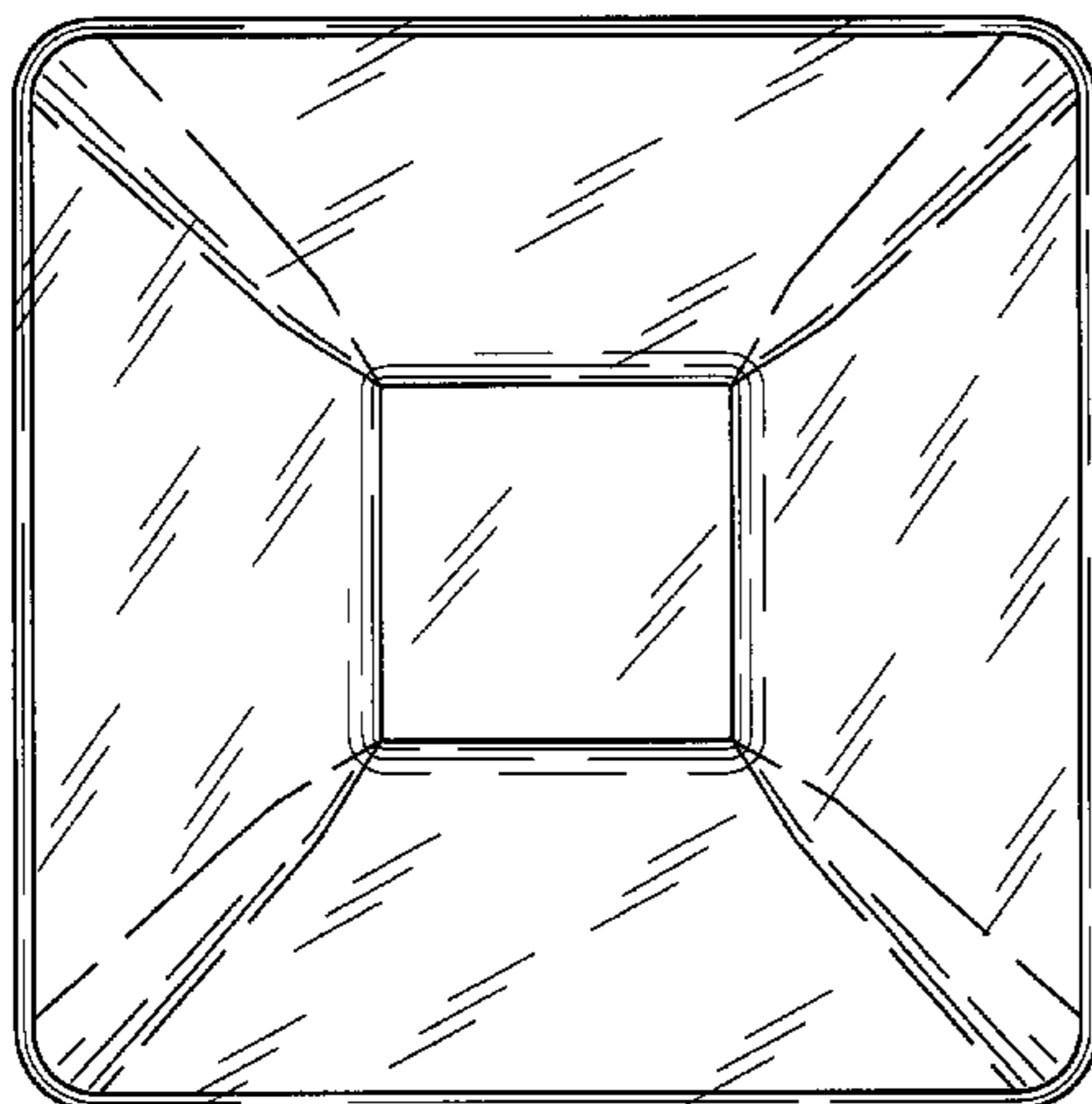
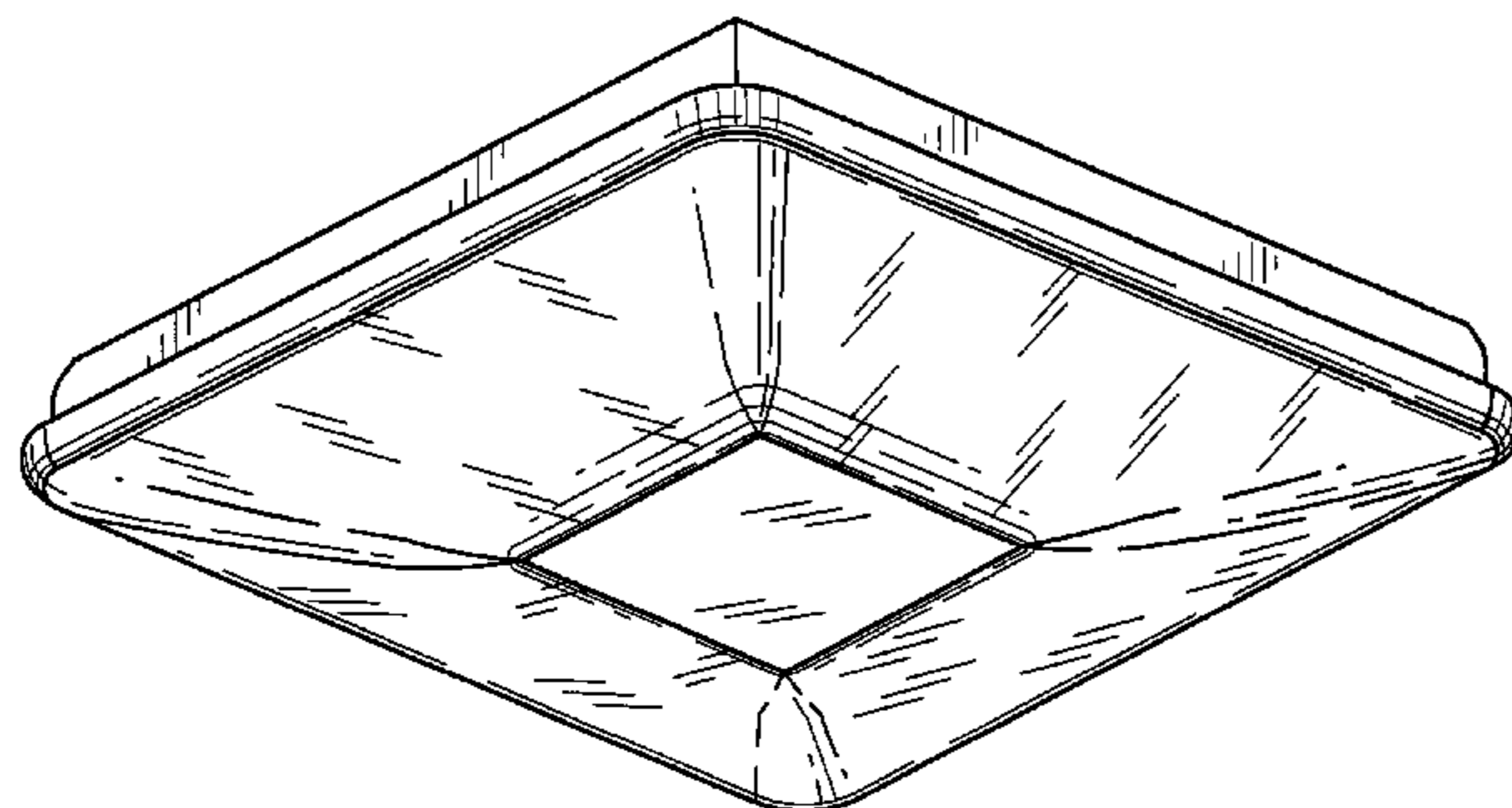
FIG. 3 is a front elevation view thereof, the rear, left side and right side elevation views being identical in appearance;

FIG. 4 is top view thereof;

FIG. 5 is a bottom perspective view of a second embodiment of my new invention; and,

FIG. 6 is front elevation view thereof, the right and left side and rear elevation views being identical in appearance.

1 Claim, 3 Drawing Sheets



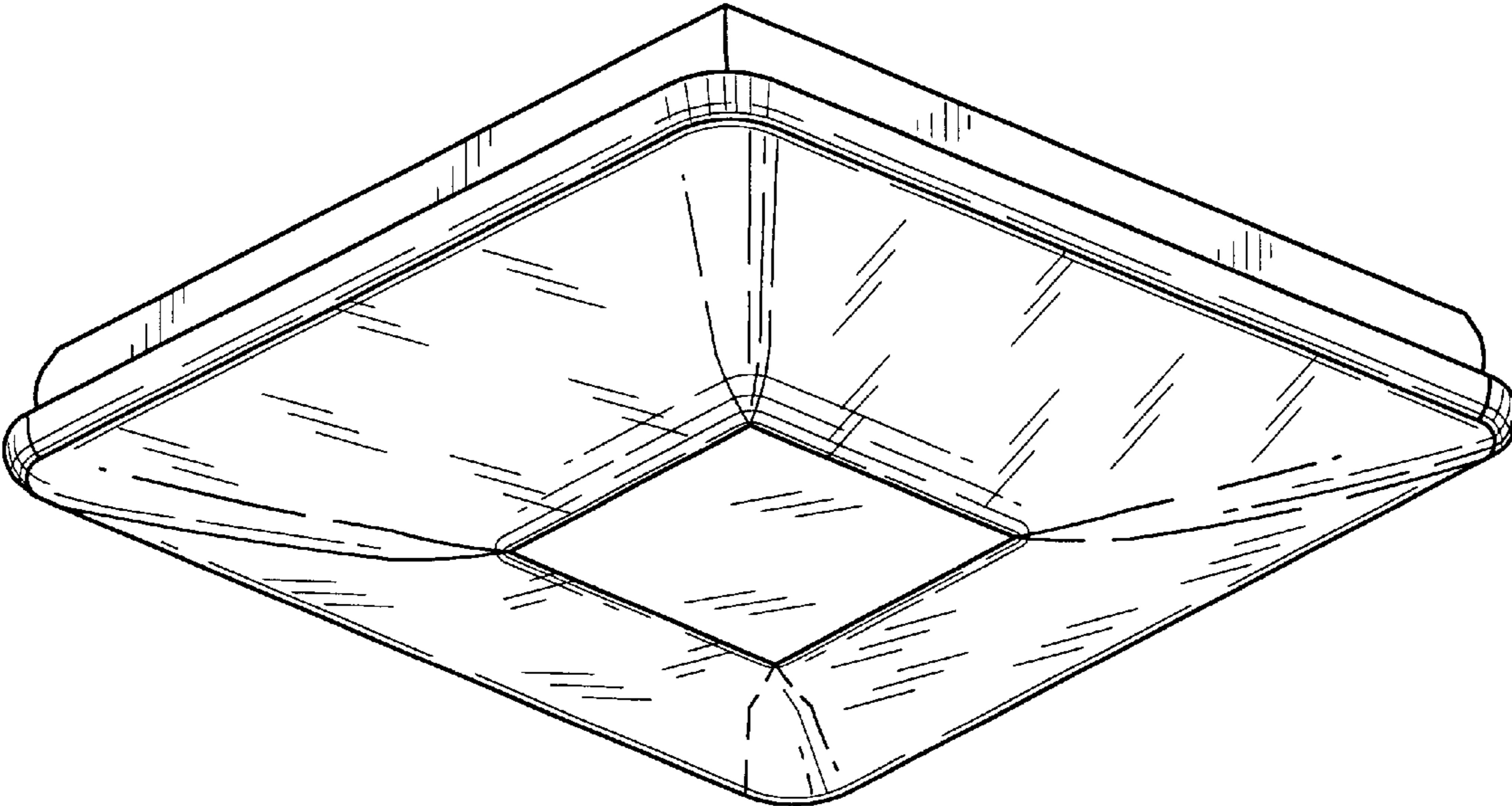


Fig. 1

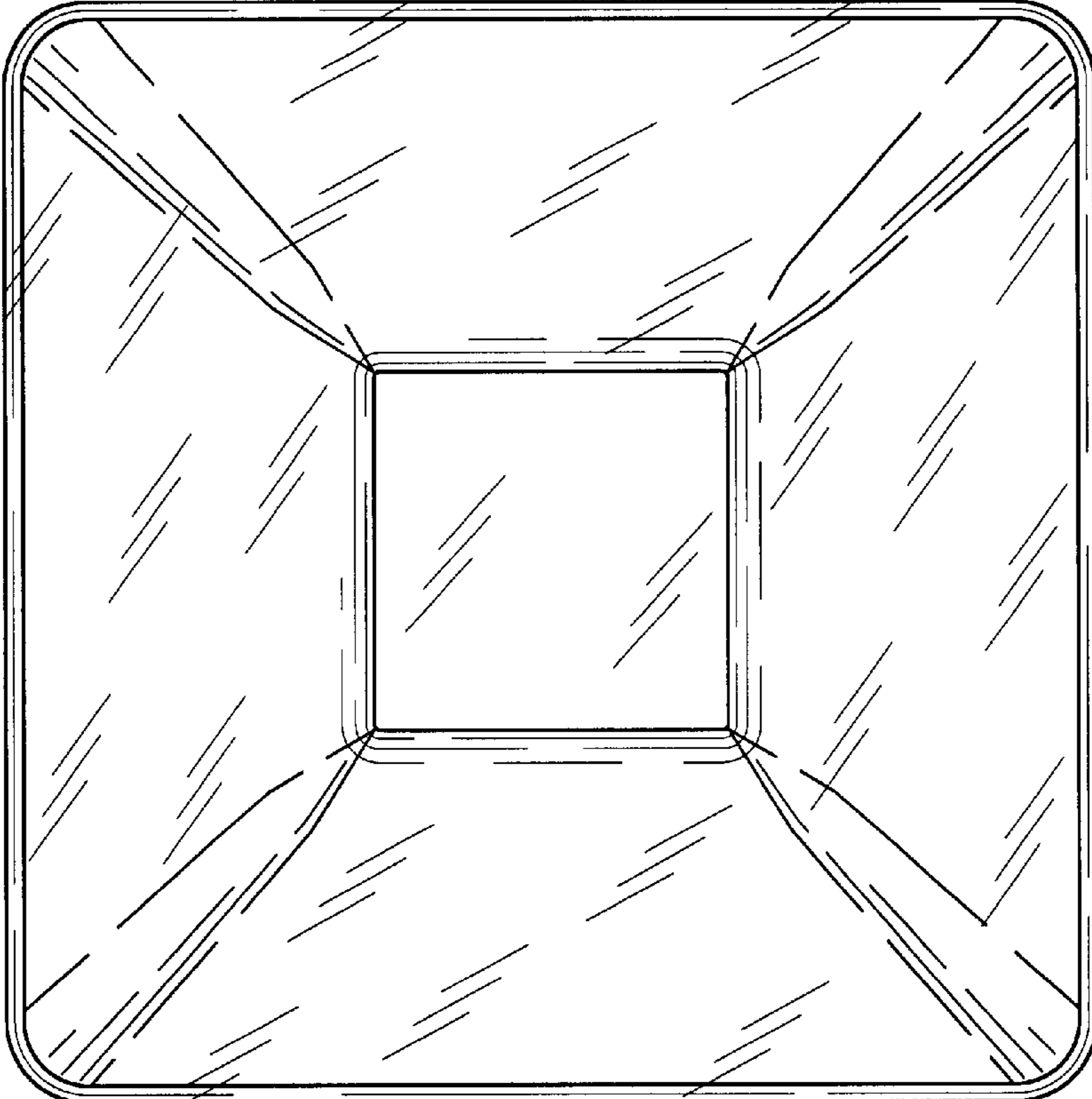


Fig. 2

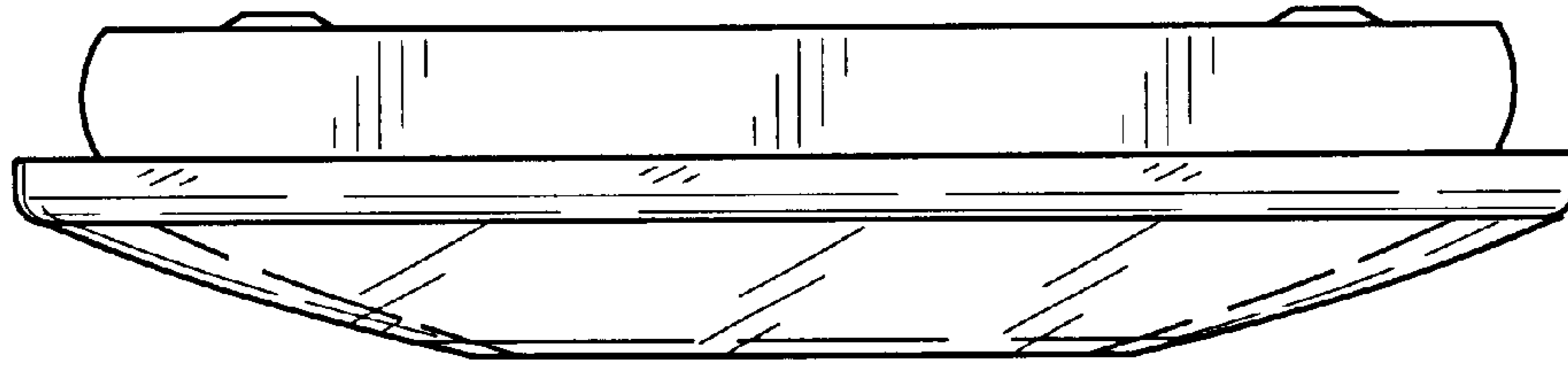


Fig. 3

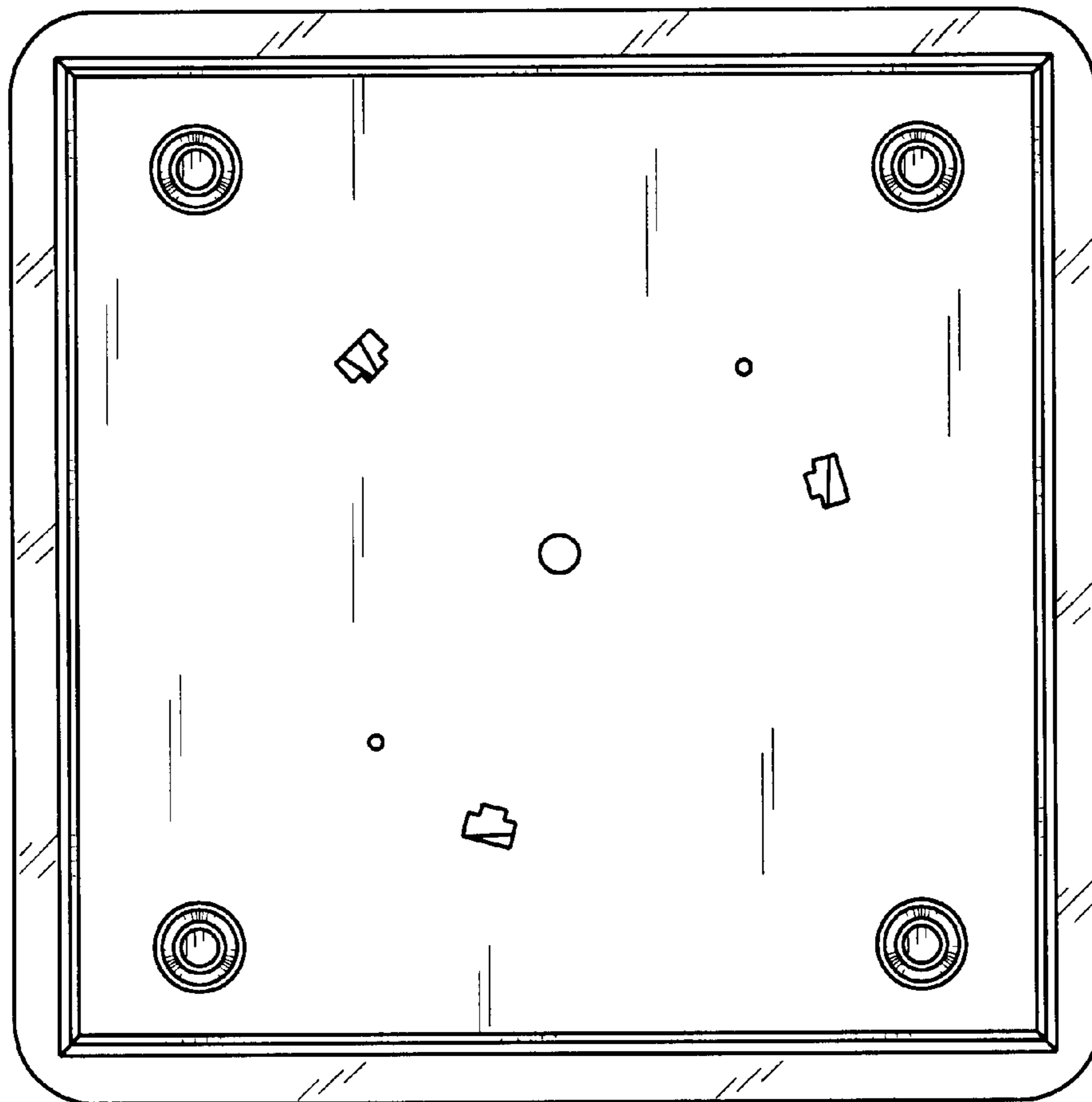


Fig. 4

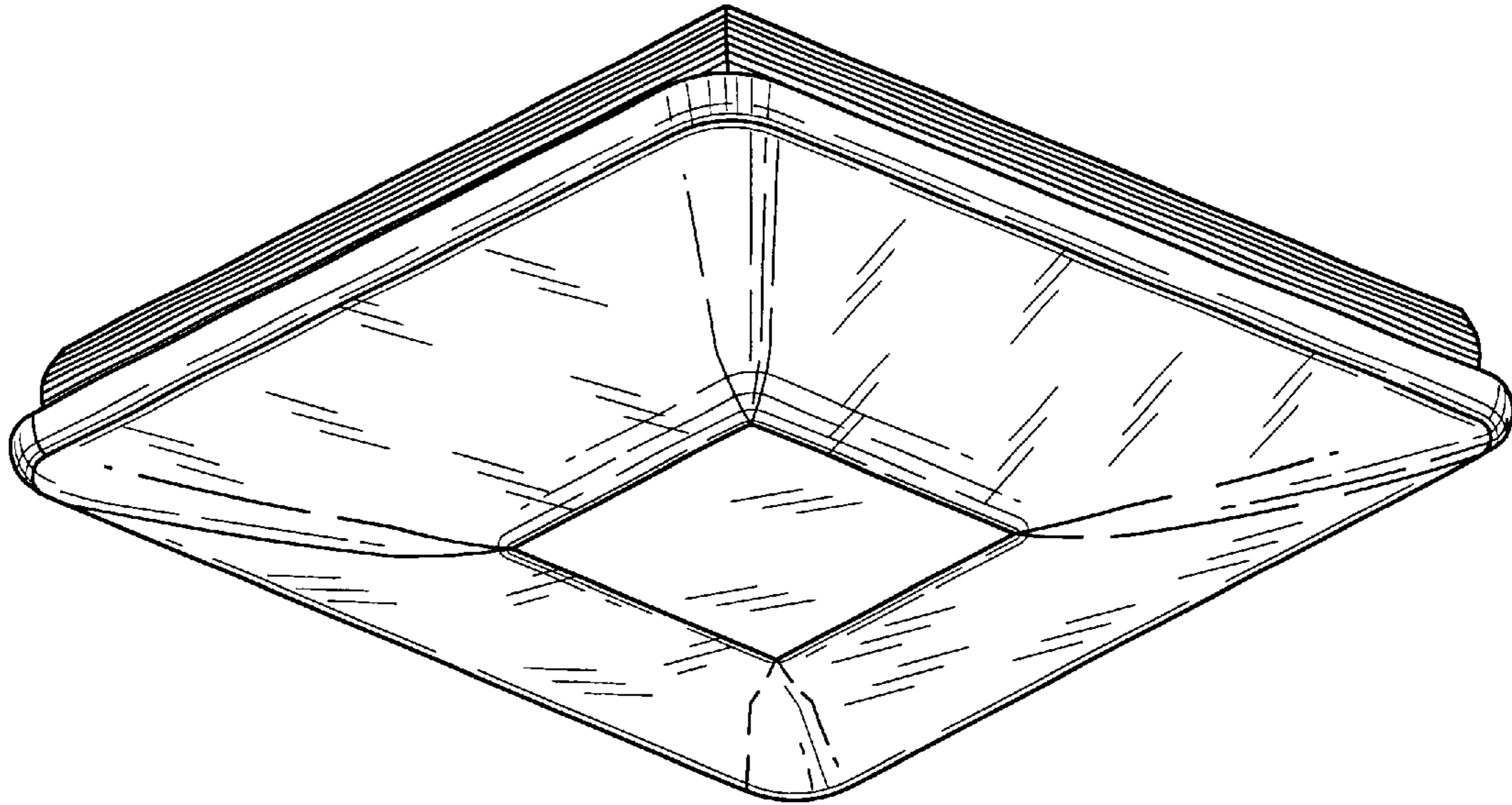


Fig. 5

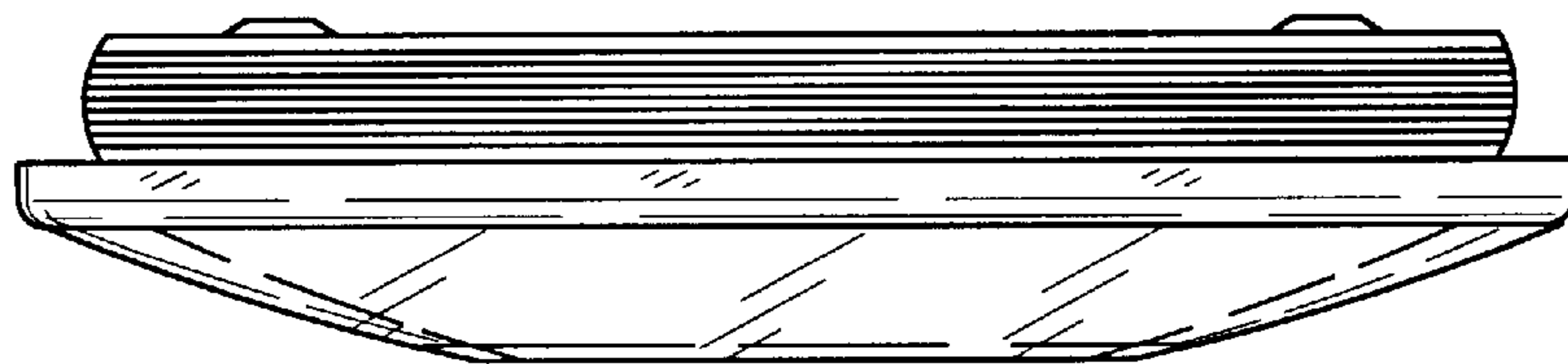


Fig. 6