



US00D514731S

(12) **United States Design Patent**
Engel

(10) **Patent No.:** **US D514,731 S**
(45) **Date of Patent:** **** Feb. 7, 2006**

(54) **LIGHTING UNIT**

(75) **Inventor:** **Hartmut S. Engel**, Monrepos-strasse 7,
D-71634 Ludwigsburg (DE)

(73) **Assignee:** **Hartmut S. Engel**, Ludwigsburg (DE)

(**) **Term:** **14 Years**

(21) **Appl. No.:** **29/208,673**

(22) **Filed:** **Jun. 30, 2004**

Related U.S. Application Data

(62) Division of application No. 29/146,845, filed on Aug. 20,
2001, now Pat. No. Des. 493,244.

(30) **Foreign Application Priority Data**

Feb. 20, 2001 (DE) 401 01 613
Feb. 20, 2001 (DE) 401 01 912

(51) **LOC (8) Cl.** **26-03**

(52) **U.S. Cl.** **D26/88; D26/76**

(58) **Field of Classification Search** D26/63,
D26/72, 75-78, 84, 90; 362/217-220, 247,
362/432, 147
See application file for complete search history.

(56) **References Cited**

U.S. PATENT DOCUMENTS

D121,590 S * 7/1940 Heath D26/76
D123,757 S * 12/1940 Dreyfuss D26/76

D128,961 S * 8/1941 Hrabak D26/77
D194,063 S * 11/1962 Whitley D26/76
D292,322 S * 10/1987 Krol D26/75
D330,268 S * 10/1992 Jaksich D26/74

OTHER PUBLICATIONS

Architectural Record, Aug. 1963, p. 66, "Troffer" fixture in
center right of page. □ □ "Fluorescent Lamp Catalogs".*
Miller Lighting Catalog 1964/1965, p. 10, "Permilux
Dropped Dish Diffuser" in lower half of photo. "Fluorescent
Lamp Catalogs".*

* cited by examiner

Primary Examiner—Clare E Hefflin

(74) *Attorney, Agent, or Firm*—Townsend and Townsend
and Crew LLP

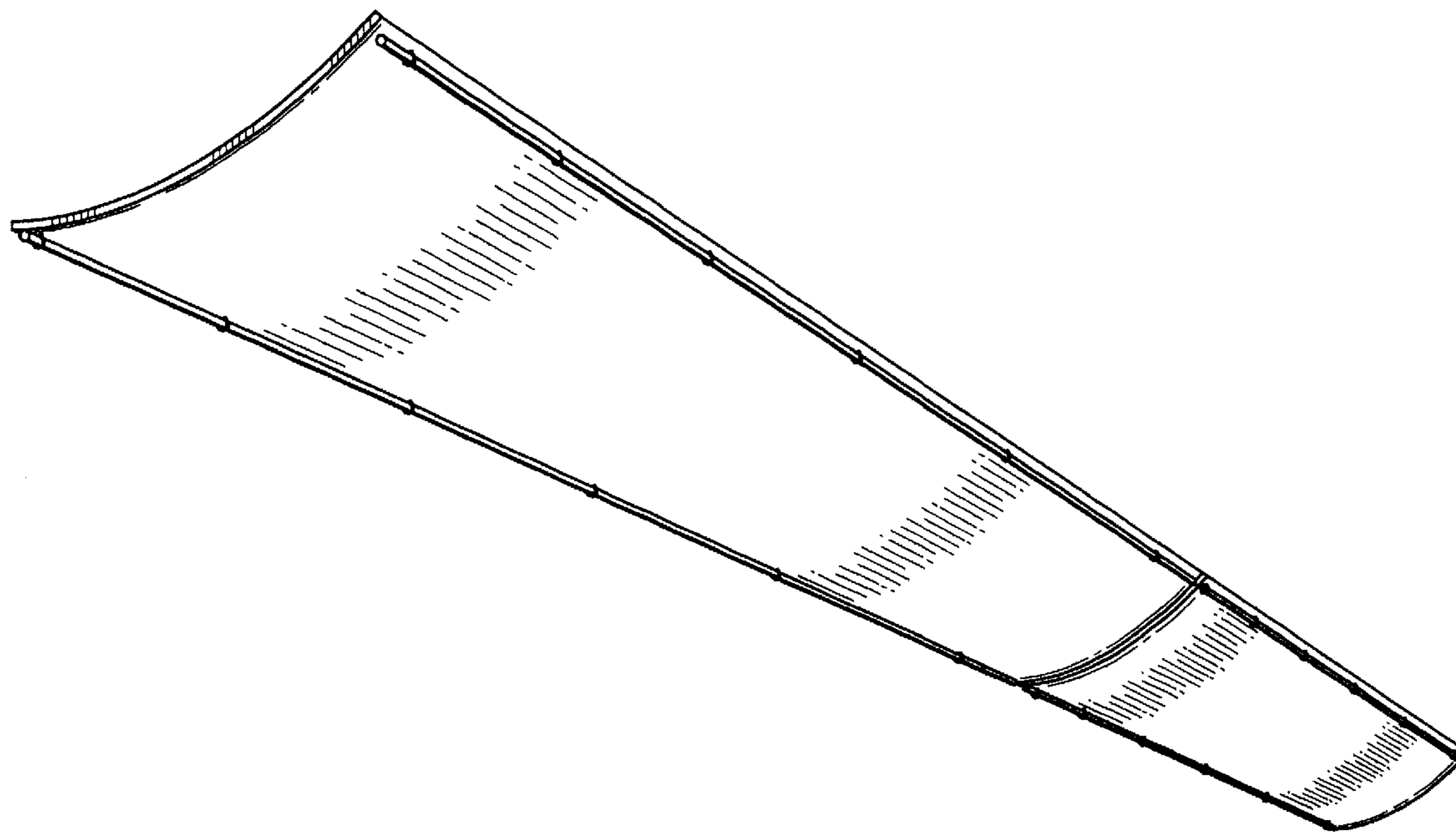
(57) **CLAIM**

The ornamental design for a lighting unit, as shown and
described.

DESCRIPTION

FIGS. 1 and 2 are perspective views from opposite sides of
a lighting unit showing my new design;
FIGS. 3 and 4 are opposite side views of the lighting unit of
FIGS. 1 and 2; and,
FIG. 5 is a fragmentary bottom view of the lighting unit of
FIGS. 1 and 2, with one of the panels being shown broken
away for illustrative purposes only.

1 Claim, 5 Drawing Sheets



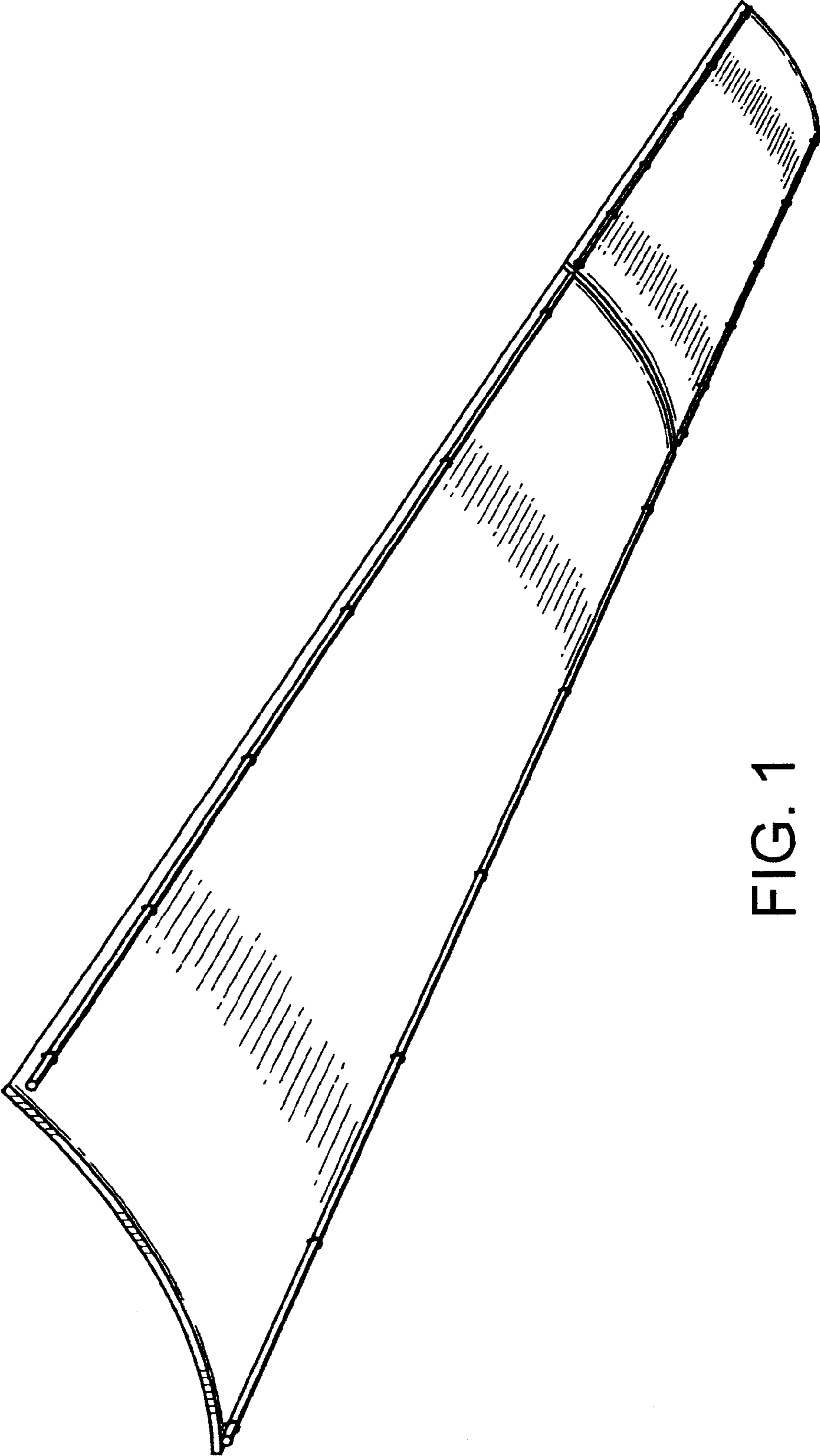


FIG. 1

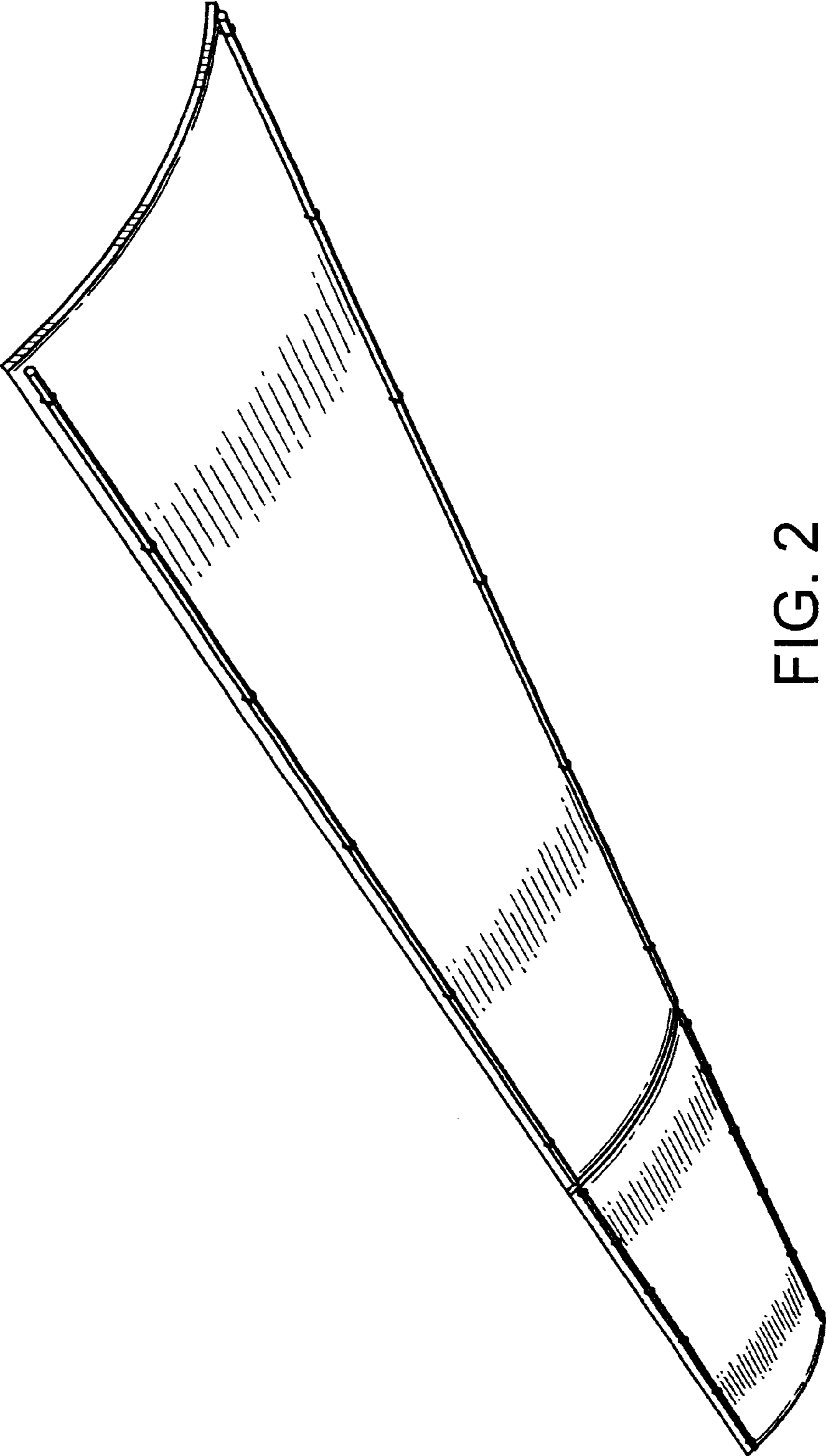


FIG. 2

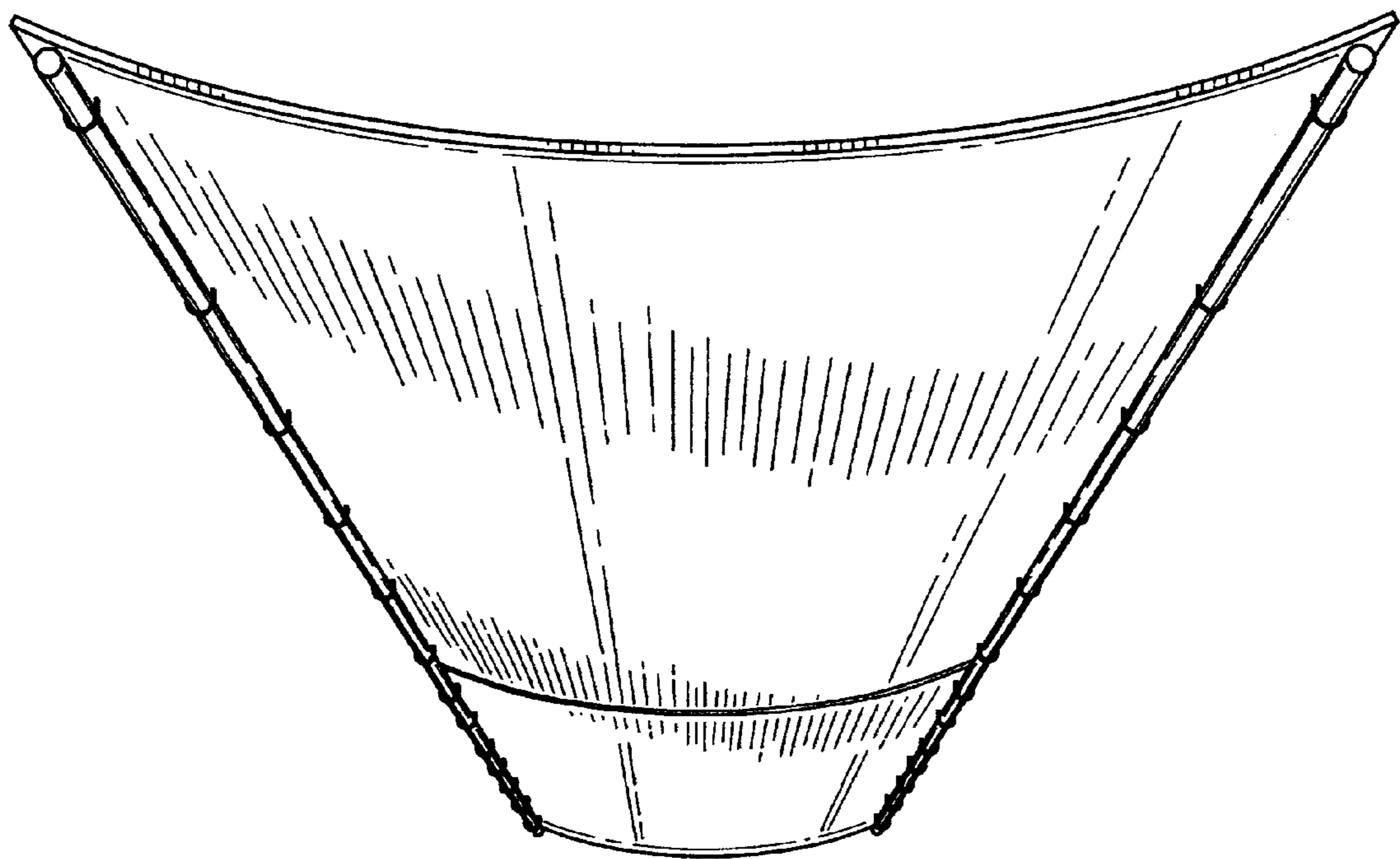


FIG. 3

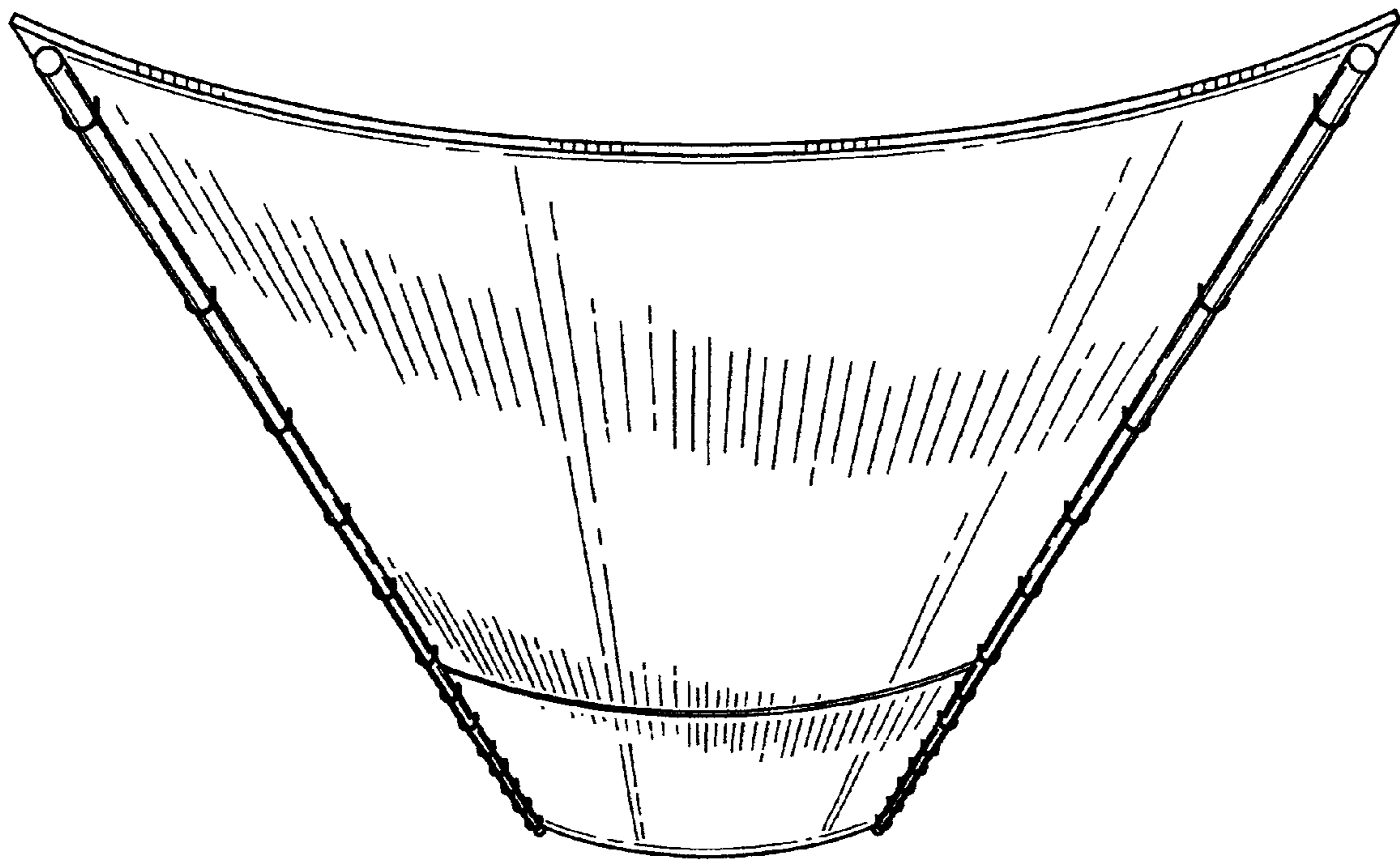


FIG. 4

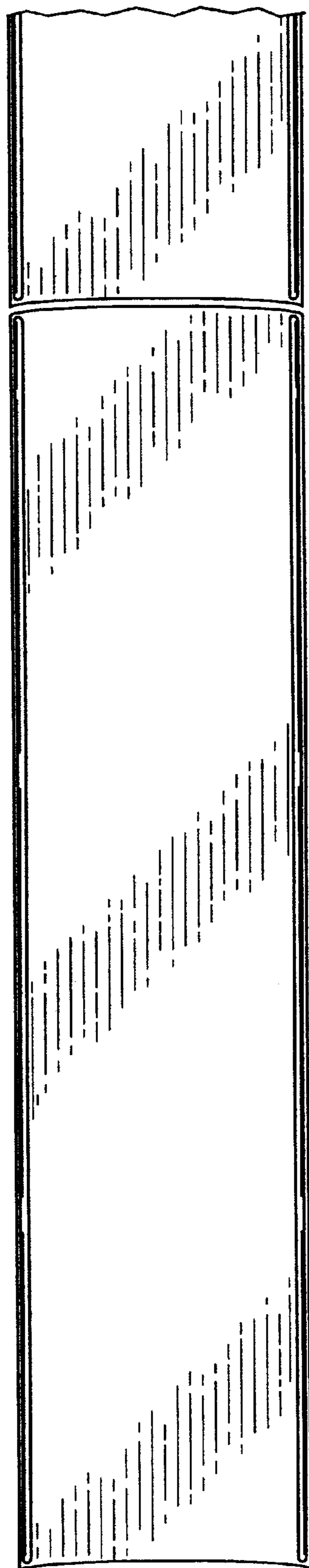


FIG. 5