



US00D514730S

(12) **United States Design Patent**
Lo

(10) **Patent No.:** **US D514,730 S**
(45) **Date of Patent:** **** Feb. 7, 2006**

(54) **WALL LIGHT**

(76) **Inventor:** **Yuan-Chen Lo**, F2, No. 2, Alley 3,
Lane 171, Wen De Rd., Nei Hu District,
Taipei City (TW)

(**) **Term:** **14 Years**

(21) **Appl. No.:** **29/214,988**

(22) **Filed:** **Oct. 12, 2004**

(51) **LOC (8) Cl.** **26-03**

(52) **U.S. Cl.** **D26/87; D26/86; D26/92**

(58) **Field of Classification Search** D26/72,
D26/80, 83-87, 92, 145, 155; 362/147, 432,
362/404-408, 806

See application file for complete search history.

(56) **References Cited**

U.S. PATENT DOCUMENTS

D457,678 S * 5/2002 Yang D26/80
D501,572 S * 2/2005 Lee D26/86

OTHER PUBLICATIONS

World Imports Catalog 26 ©2004. (2 pages) Item 00830-17
on p. 147; and Item 61074-42 on p. 155.*

Quoizel's 2004 Catalog. Item DY 8593ES from the Delray
collection on p. 250.*

* cited by examiner

Primary Examiner—Clare E Heflin
(74) *Attorney, Agent, or Firm*—Charles E. Baxley

(57) **CLAIM**

The ornamental design for a wall light, as shown and
described.

DESCRIPTION

FIG. 1 is a perspective view of a wall light showing my new
design;

FIG. 2 is a front elevational view thereof;

FIG. 3 is a rear elevational view thereof,

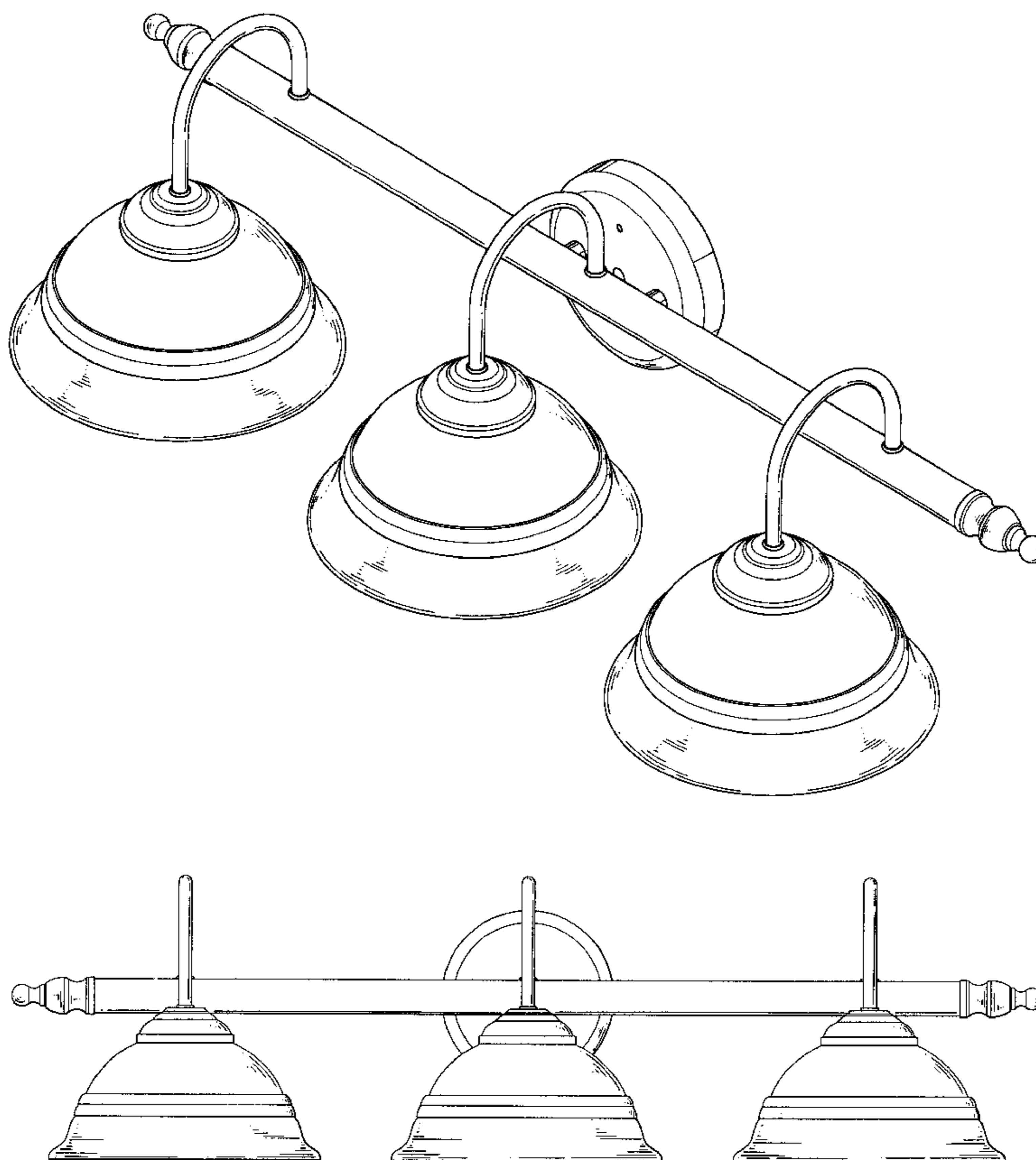
FIG. 4 is a left side elevational view thereof,

FIG. 5 is a right side elevational view thereof,

FIG. 6 is a top plan view thereof; and,

FIG. 7 is a bottom plan view to that shown.

1 Claim, 7 Drawing Sheets



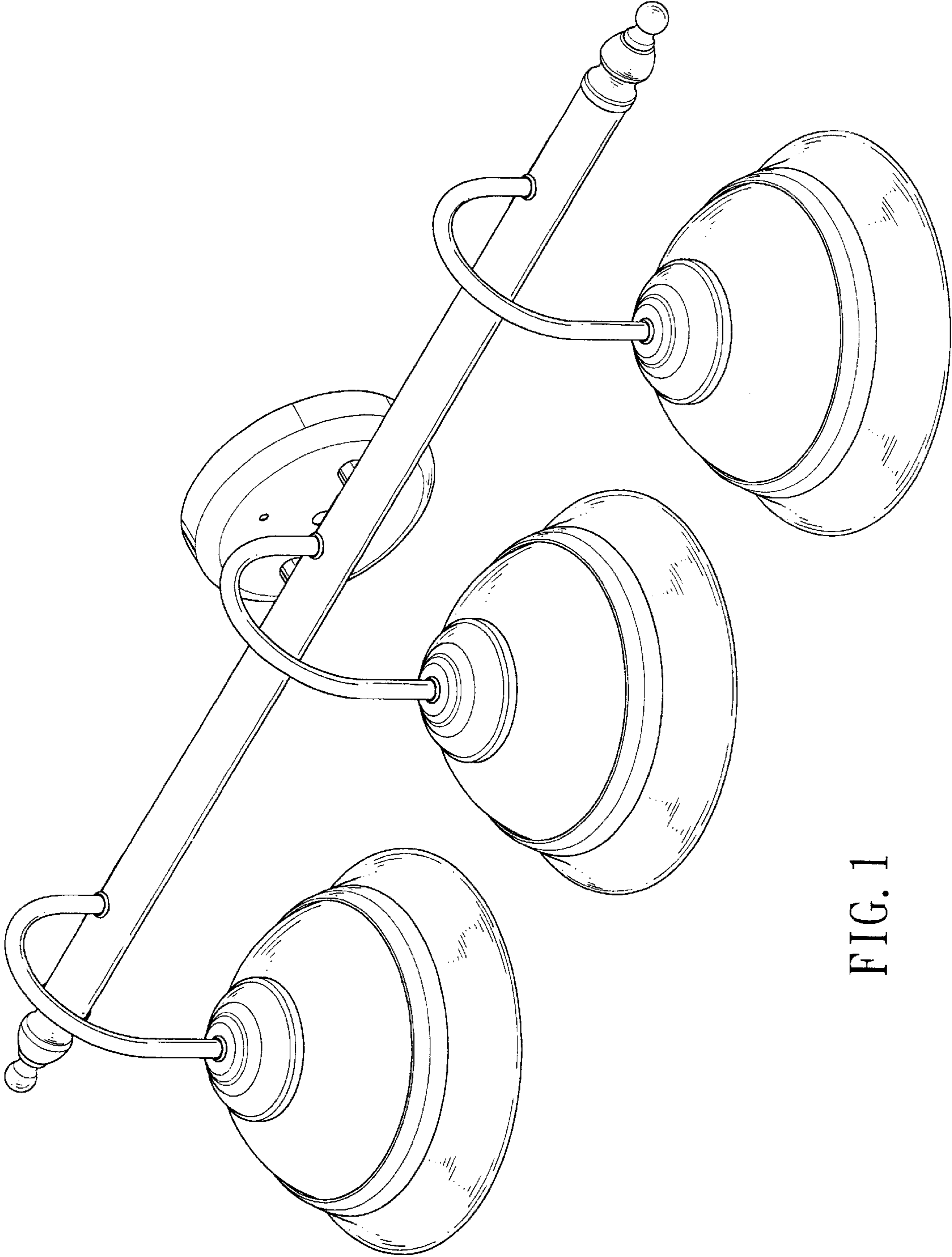


FIG. 1

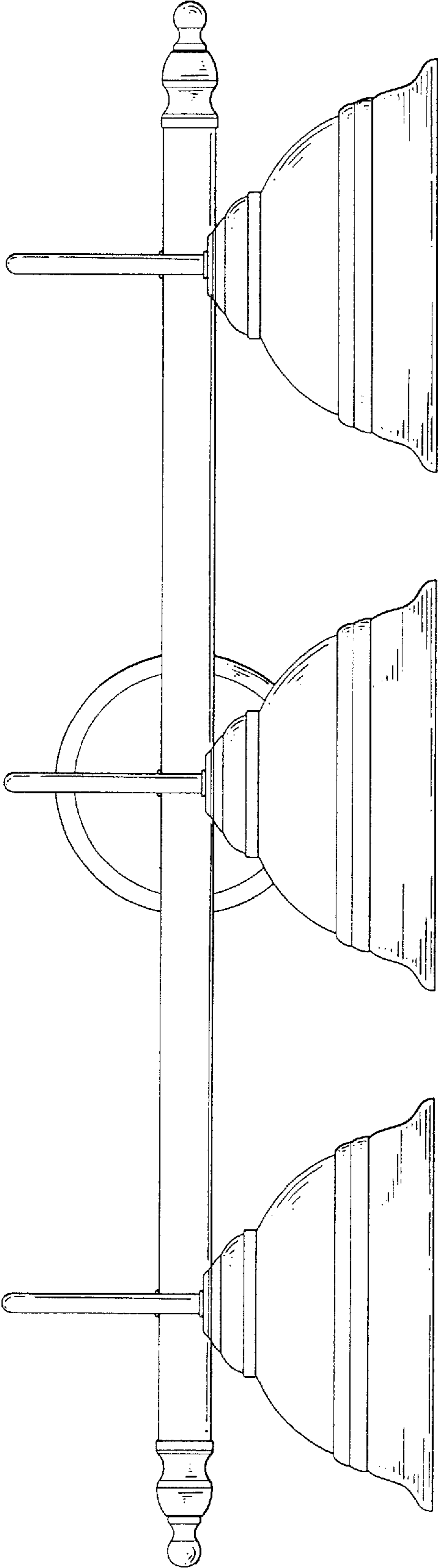


FIG. 2

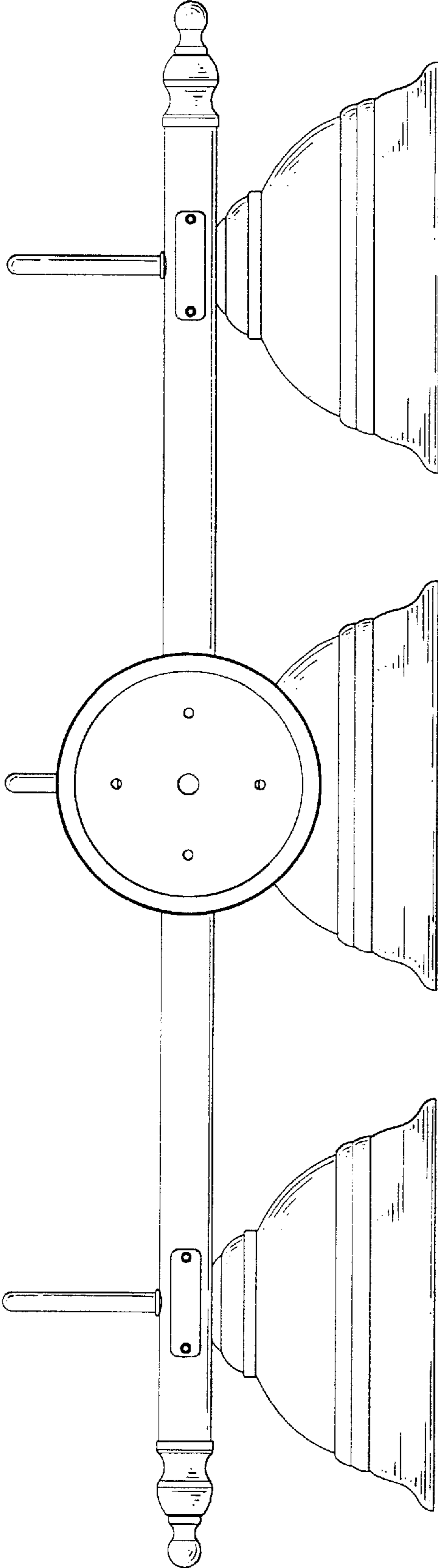


FIG. 3

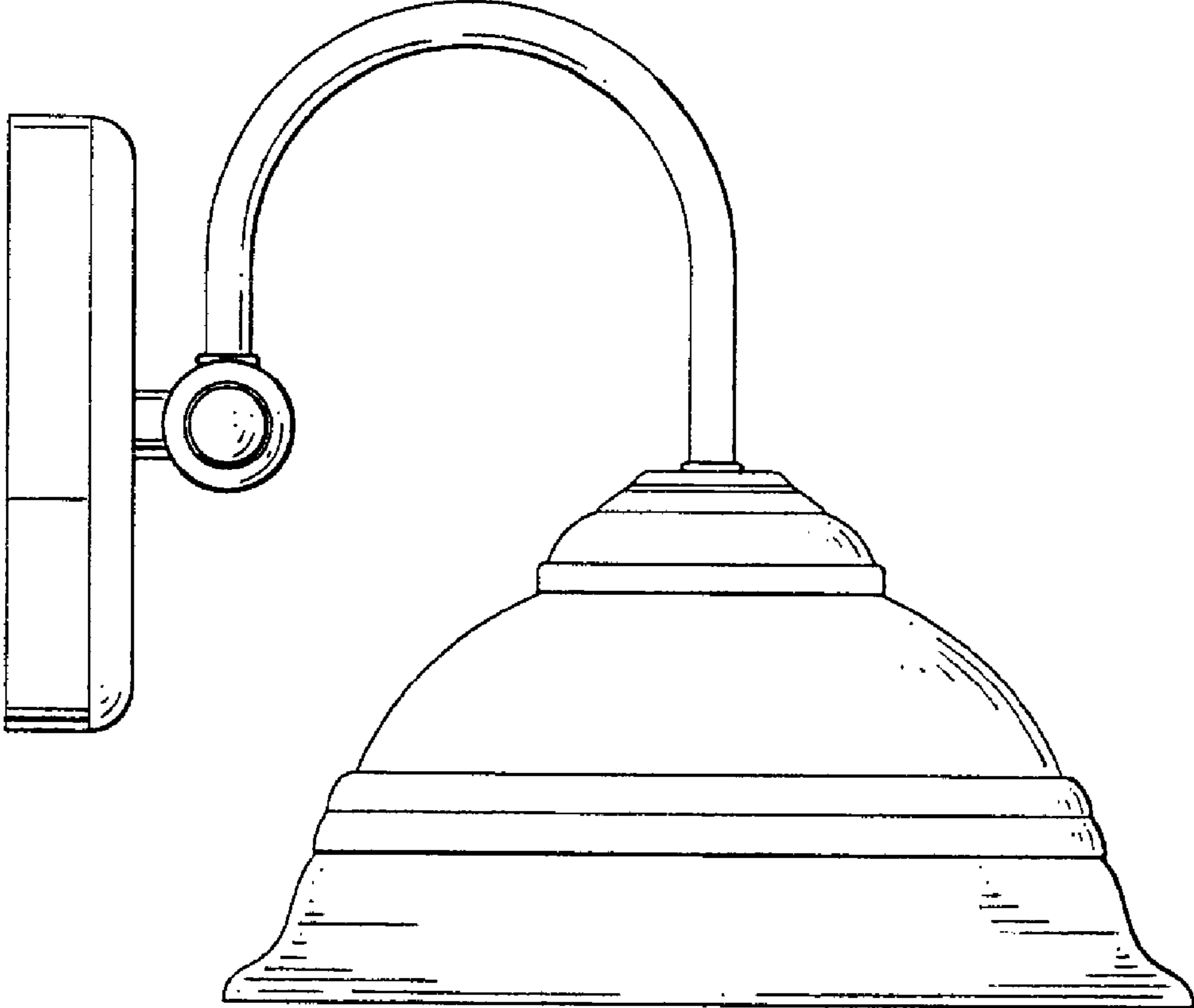


FIG. 4

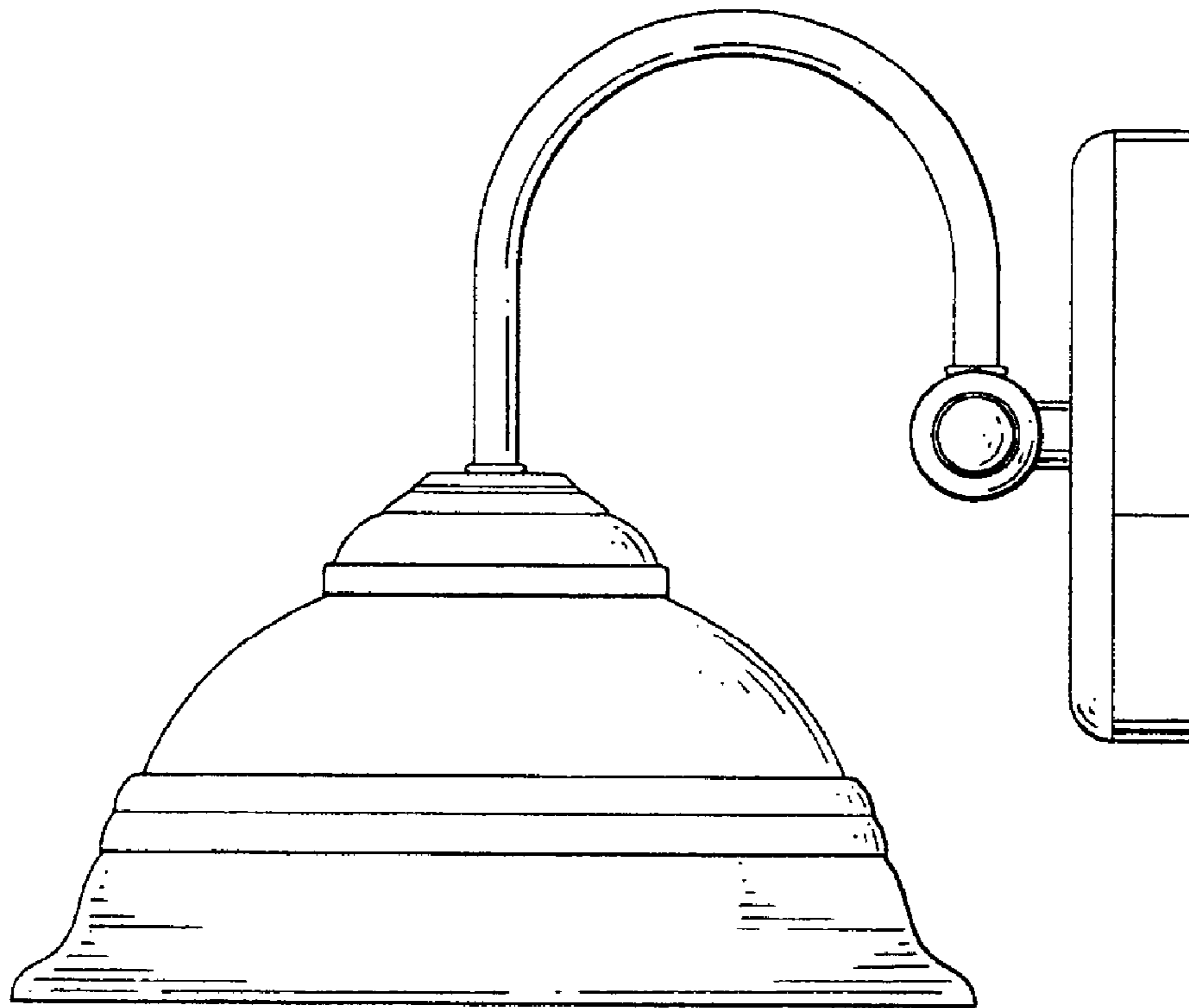


FIG. 5

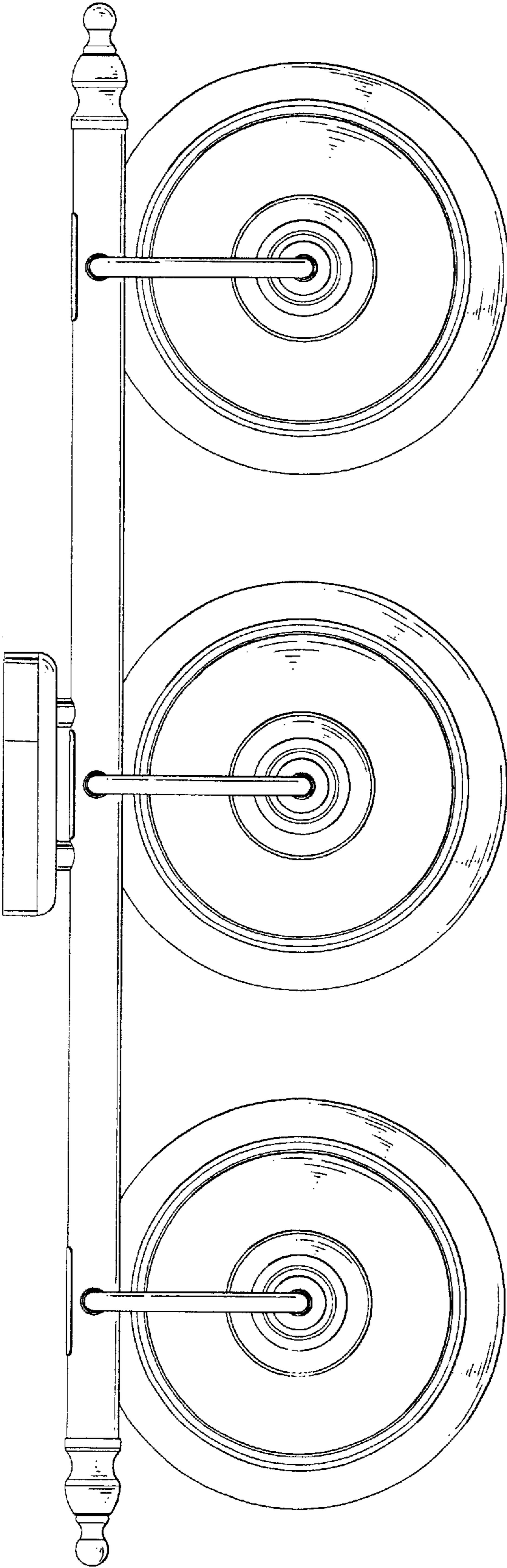


FIG. 6

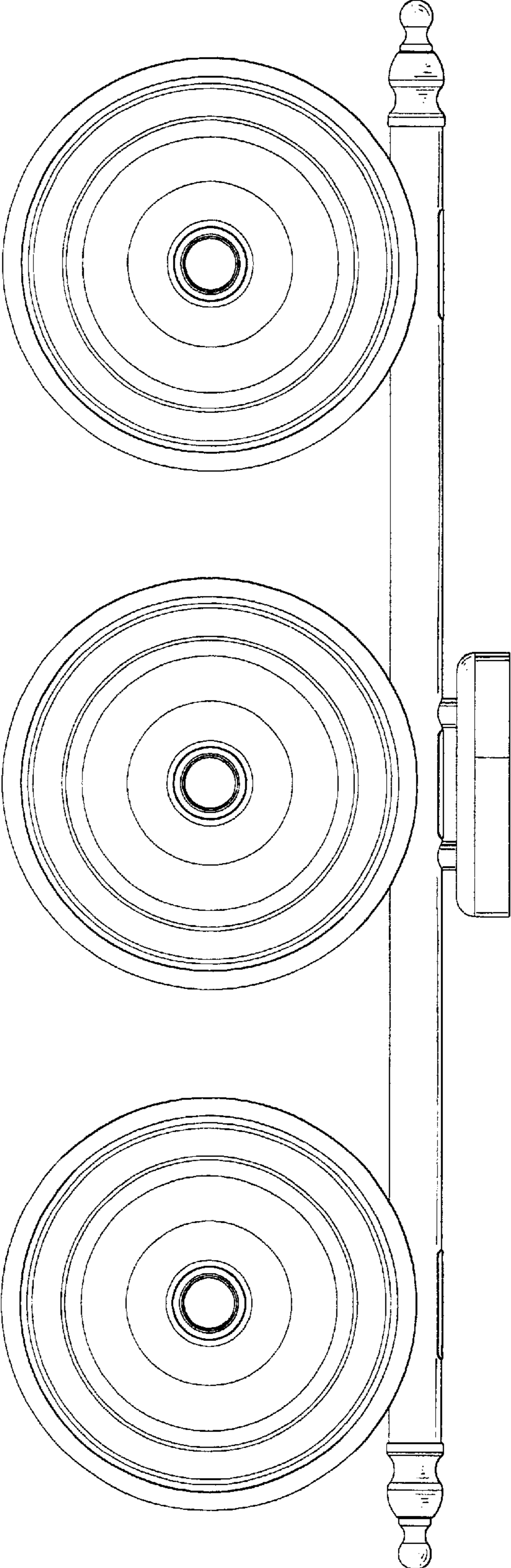


FIG. 7