



US00D514727S

(12) **United States Design Patent**
Chen

(10) **Patent No.:** **US D514,727 S**
(45) **Date of Patent:** **** Feb. 7, 2006**

(54) **CHANDELIER**

(76) Inventor: **Chia-Teh Chen**, 5F, No. 30, Yet Sen Rd., Taipei (TW)

(**) Term: **14 Years**

(21) Appl. No.: **29/205,791**

(22) Filed: **May 21, 2004**

(51) **LOC (8) Cl.** **26-03**

(52) **U.S. Cl.** **D26/81; D26/84**

(58) **Field of Classification Search** D26/72,
D26/80-92, 142-144, 152, 155; 362/147,
362/432, 404-408
See application file for complete search history.

(56) **References Cited**

U.S. PATENT DOCUMENTS

D369,878 S	*	5/1996	Lupien	D26/81
D372,551 S	*	8/1996	Dolan	D26/81
D404,162 S	*	1/1999	Dolan	D26/84
D453,581 S	*	2/2002	Orozco	D26/84
D459,524 S	*	6/2002	Dolan	D26/86
D459,826 S	*	7/2002	Dolan	D26/81

OTHER PUBLICATIONS

SeaGull Lighting Catalog No. 04A(C)2003. Item 5138E-61 on p. 141.*

“The Big Book” Edition 2004 by Murray Feiss. Items F1710/9 WP and F1711/18 WP from the Neo Classic Collection.*

* cited by examiner

Primary Examiner—Clare E Heflin

(74) *Attorney, Agent, or Firm*—Rosenberg, Klein & Lee

(57) **CLAIM**

The ornamental design for a “chandelier,” as shown and described.

DESCRIPTION

FIG. 1 is a perspective view of a “chandelier” showing my new design;

FIG. 2 is a front view thereof;

FIG. 3 is a rear view thereof;

FIG. 4 is a left side view thereof;

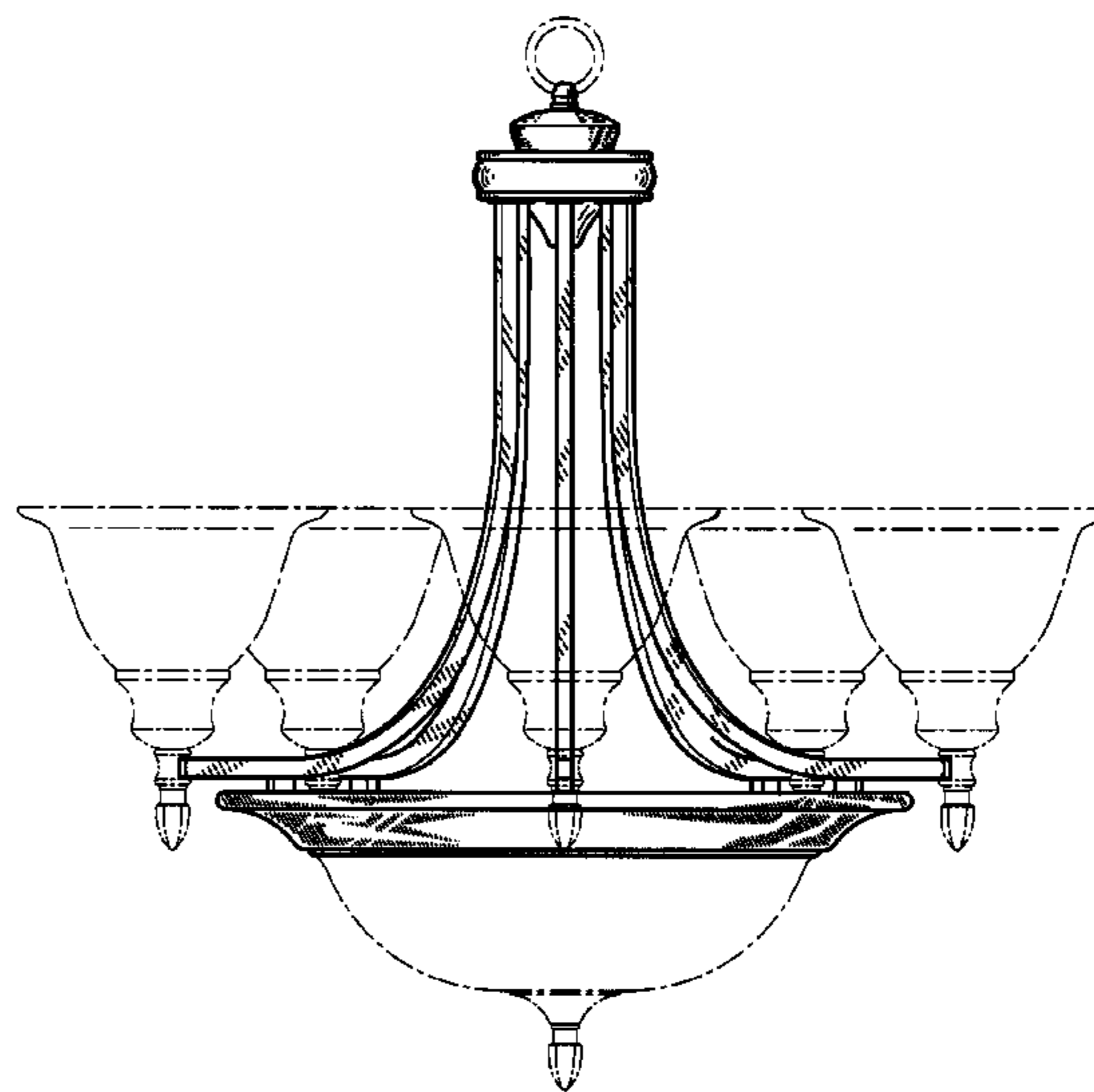
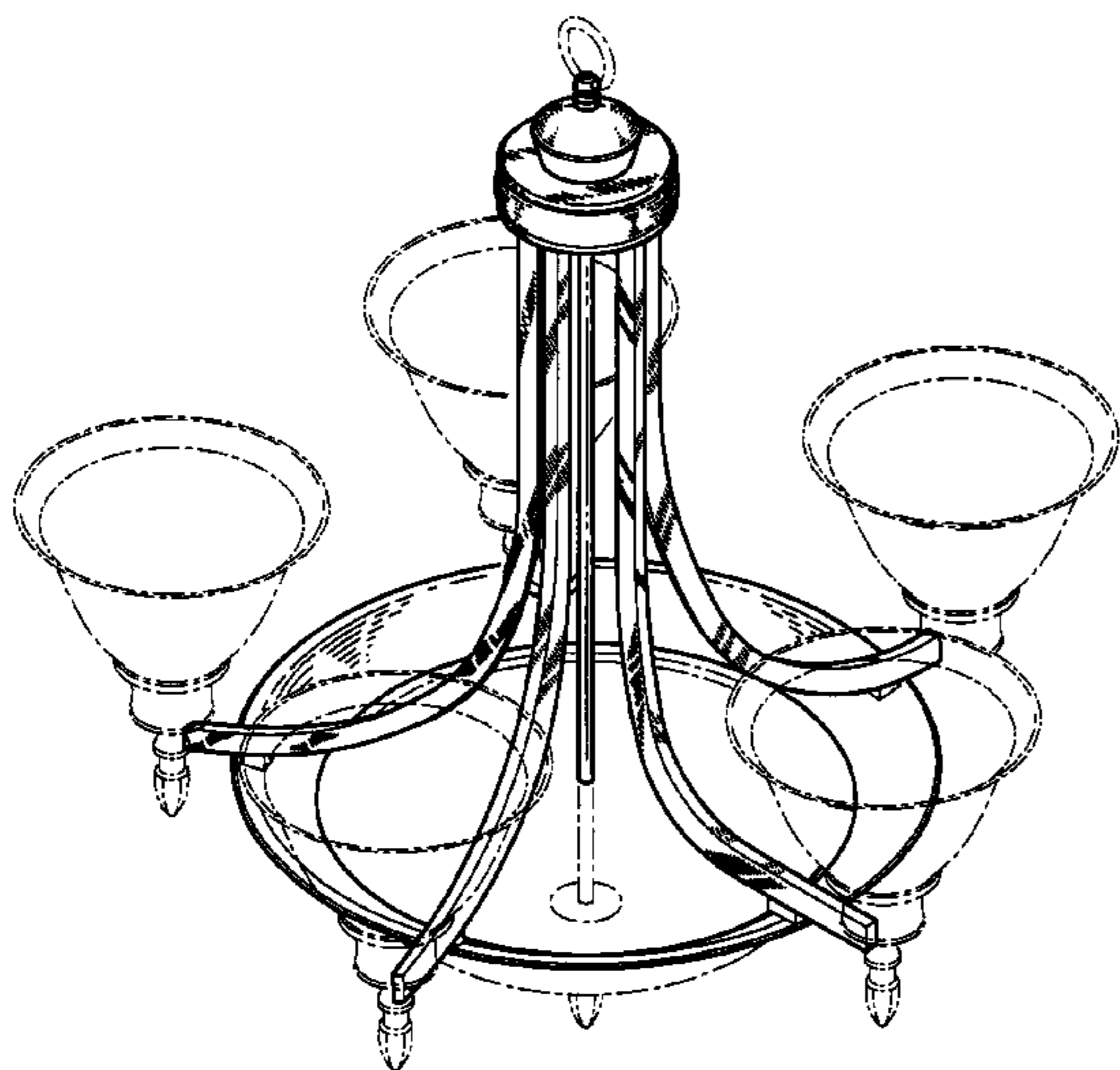
FIG. 5 is a right side view thereof;

FIG. 6 is a top view thereof; and,

FIG. 7 is a bottom view thereof.

The broken lines shown on the drawings are for illustrative purposes only and form no part of the claimed design.

1 Claim, 4 Drawing Sheets



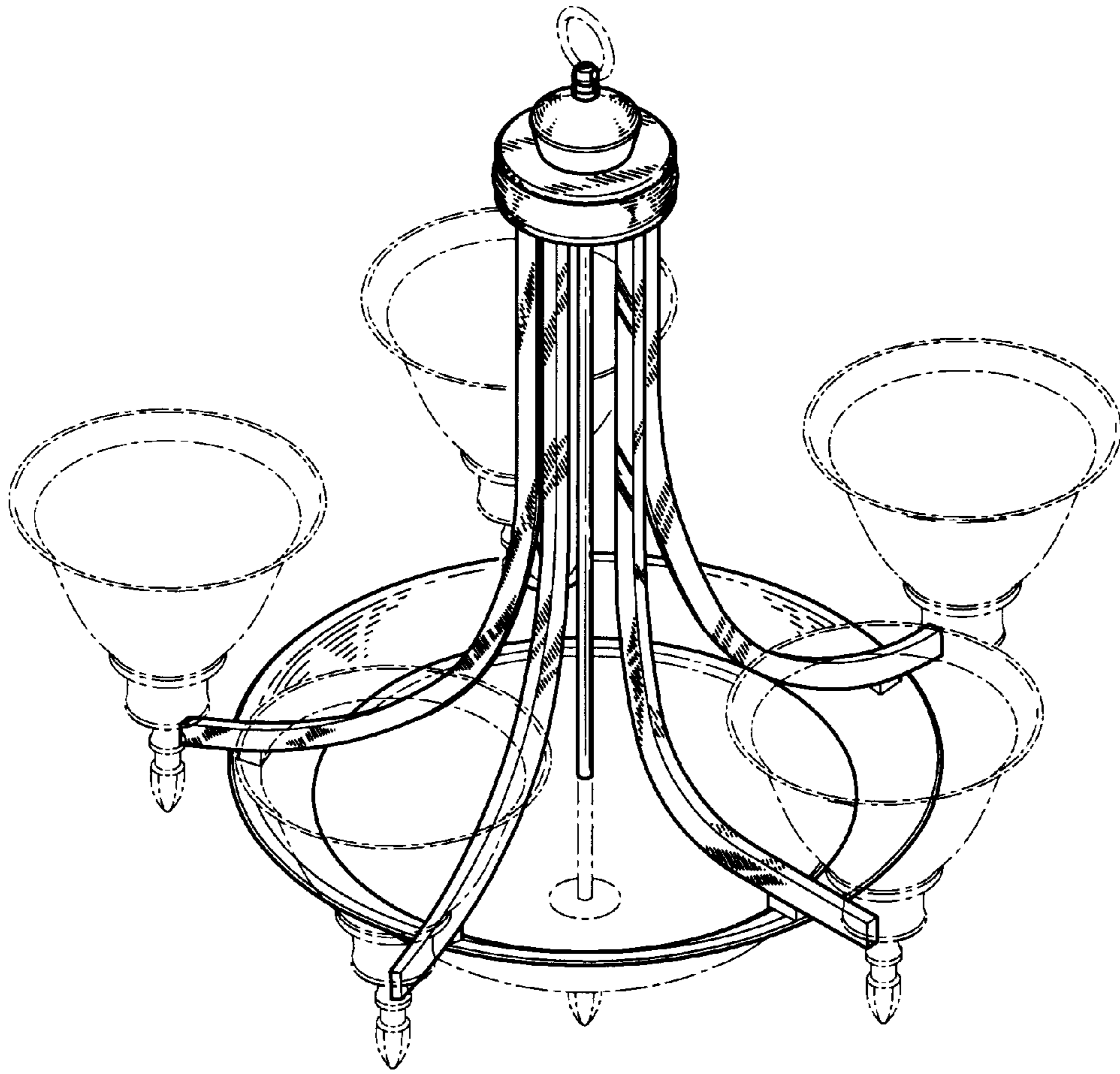


FIG. 1

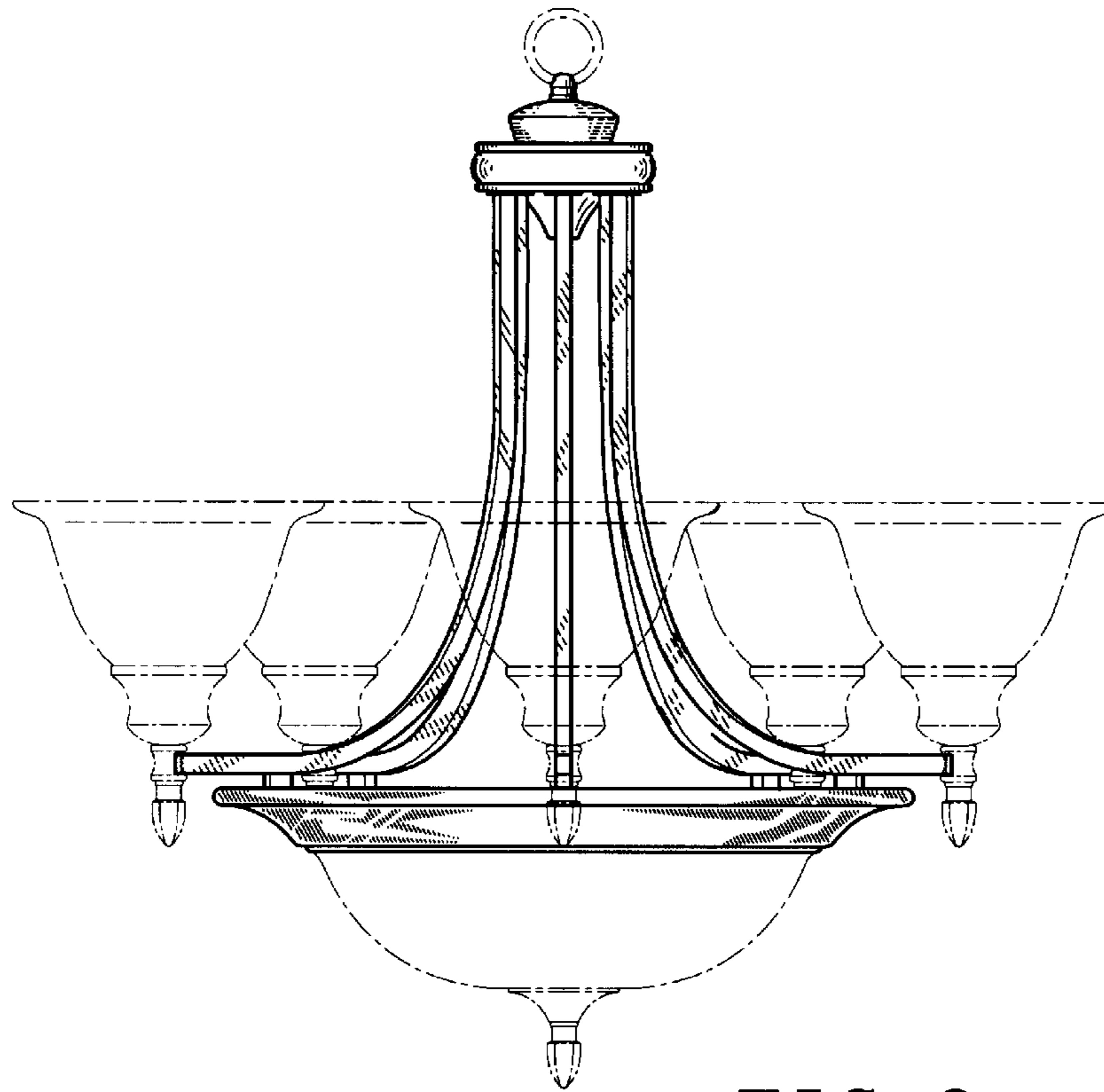


FIG. 2

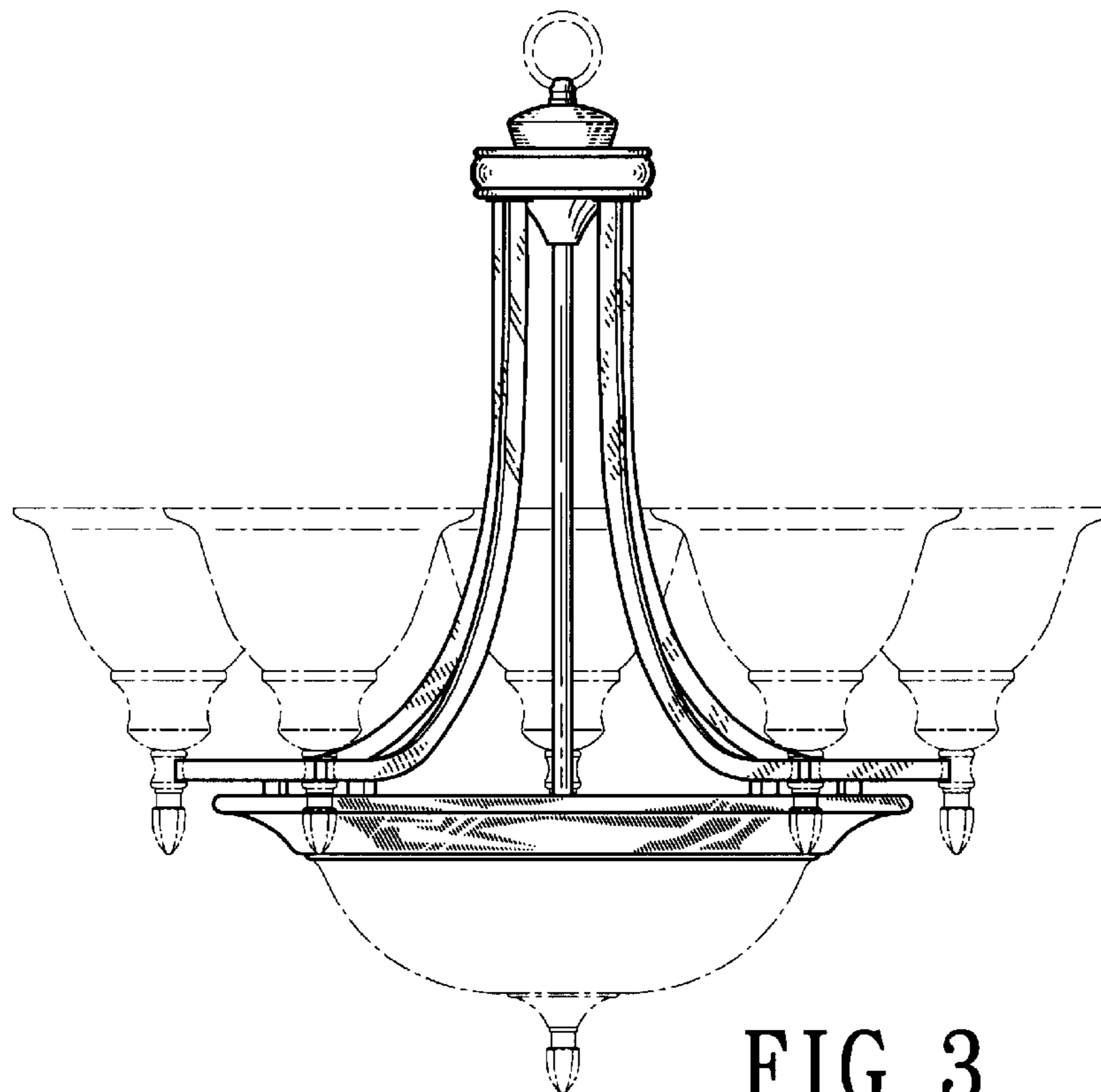


FIG. 3

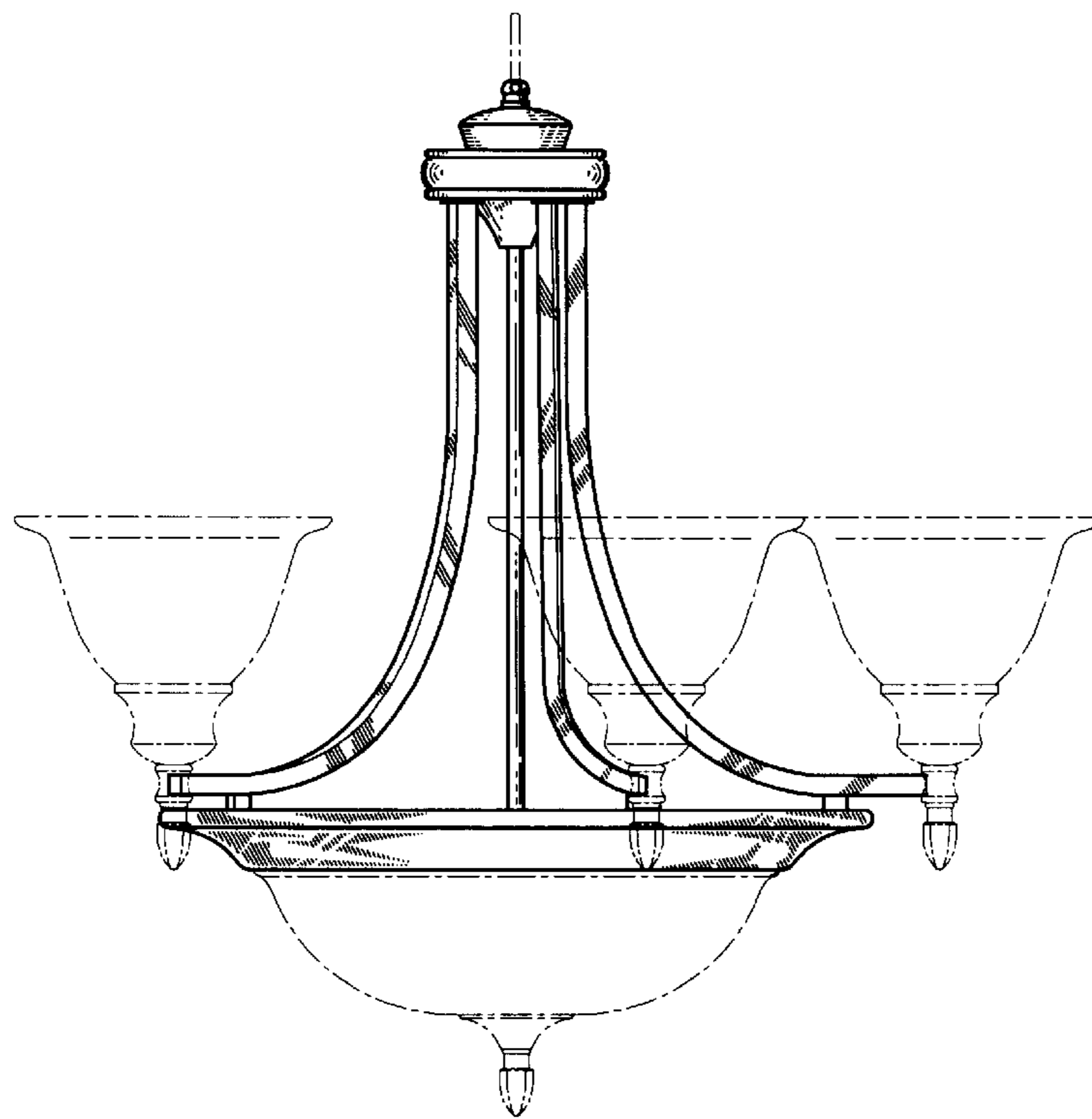


FIG. 4

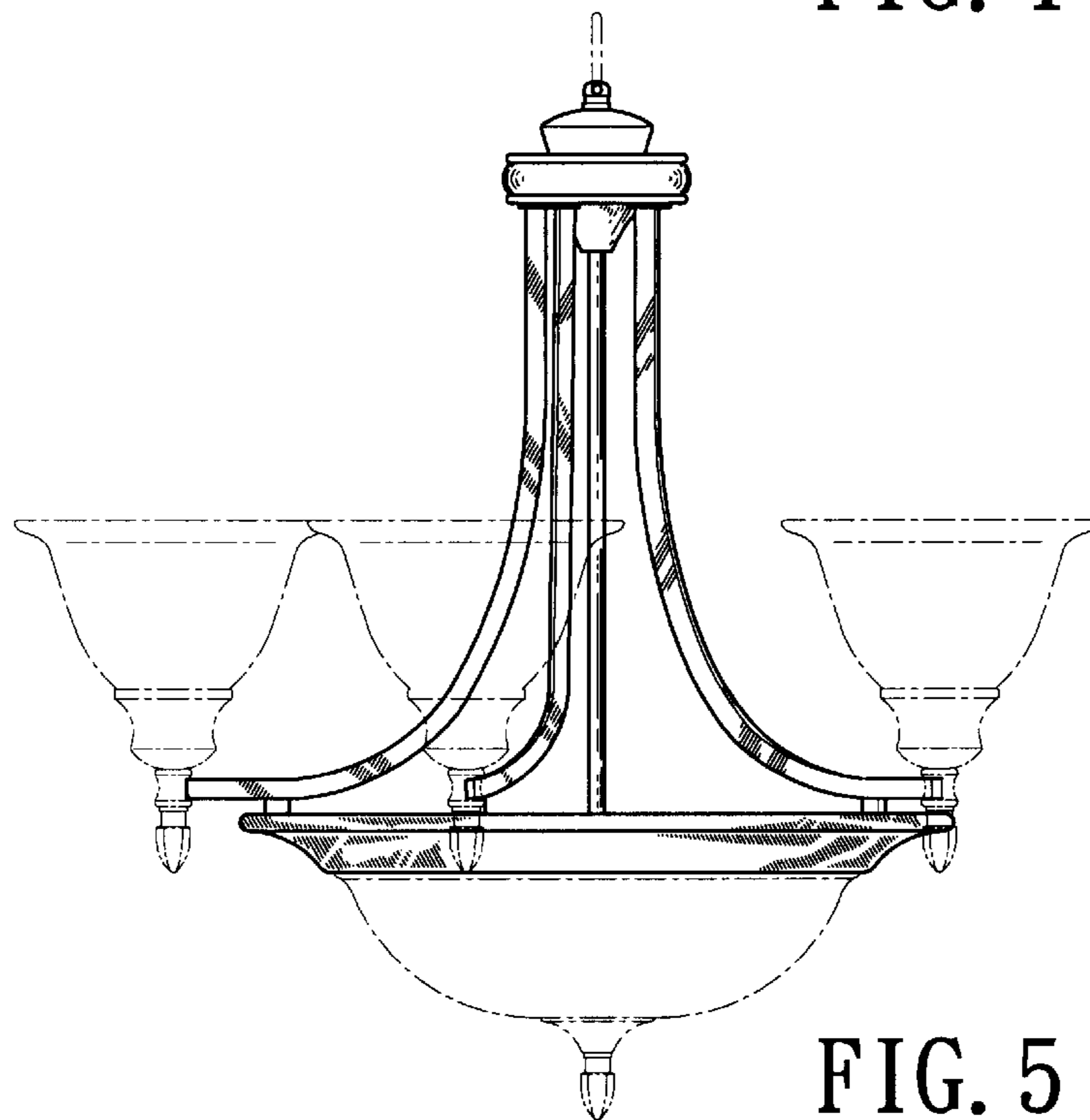


FIG. 5

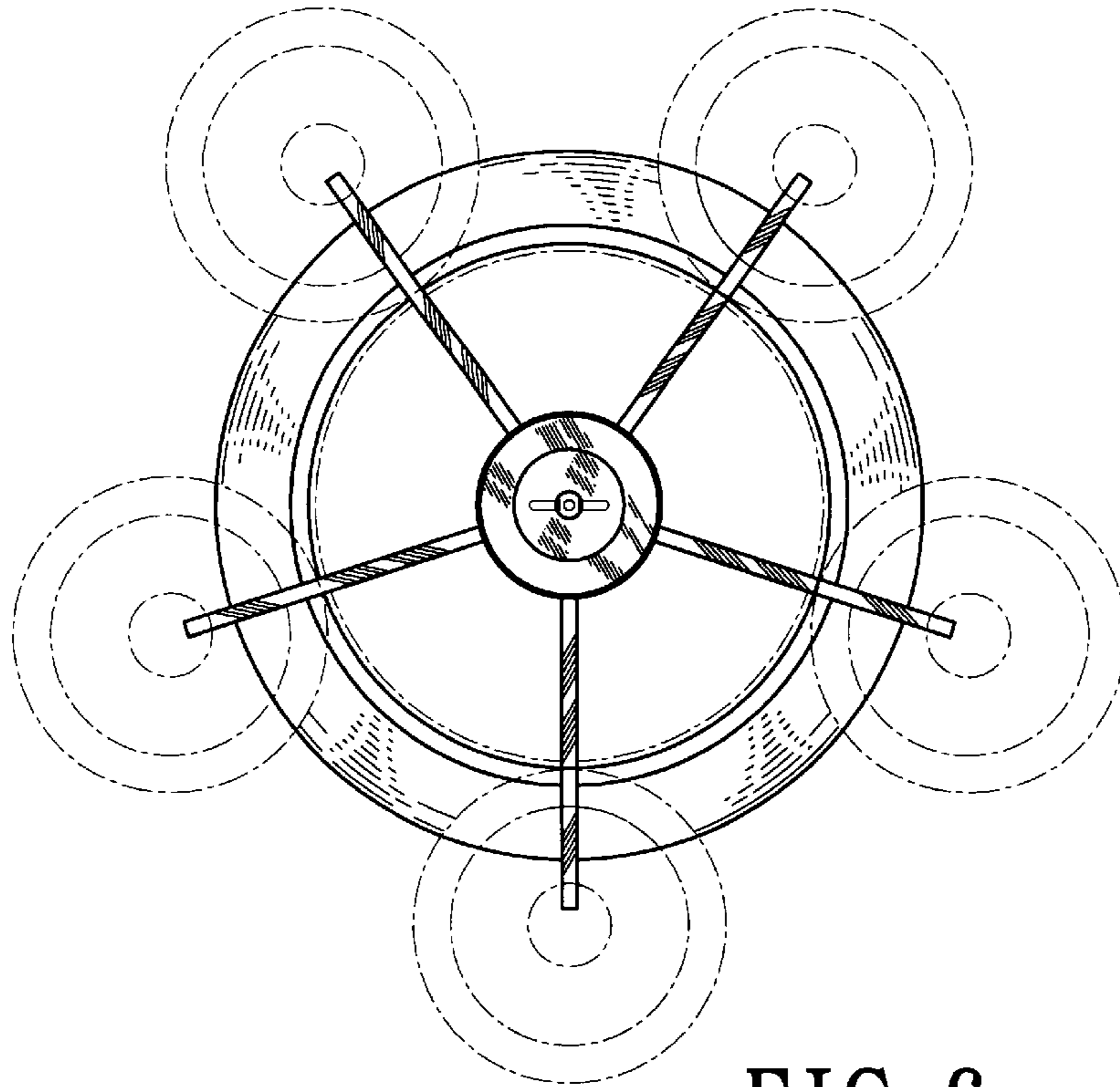


FIG. 6

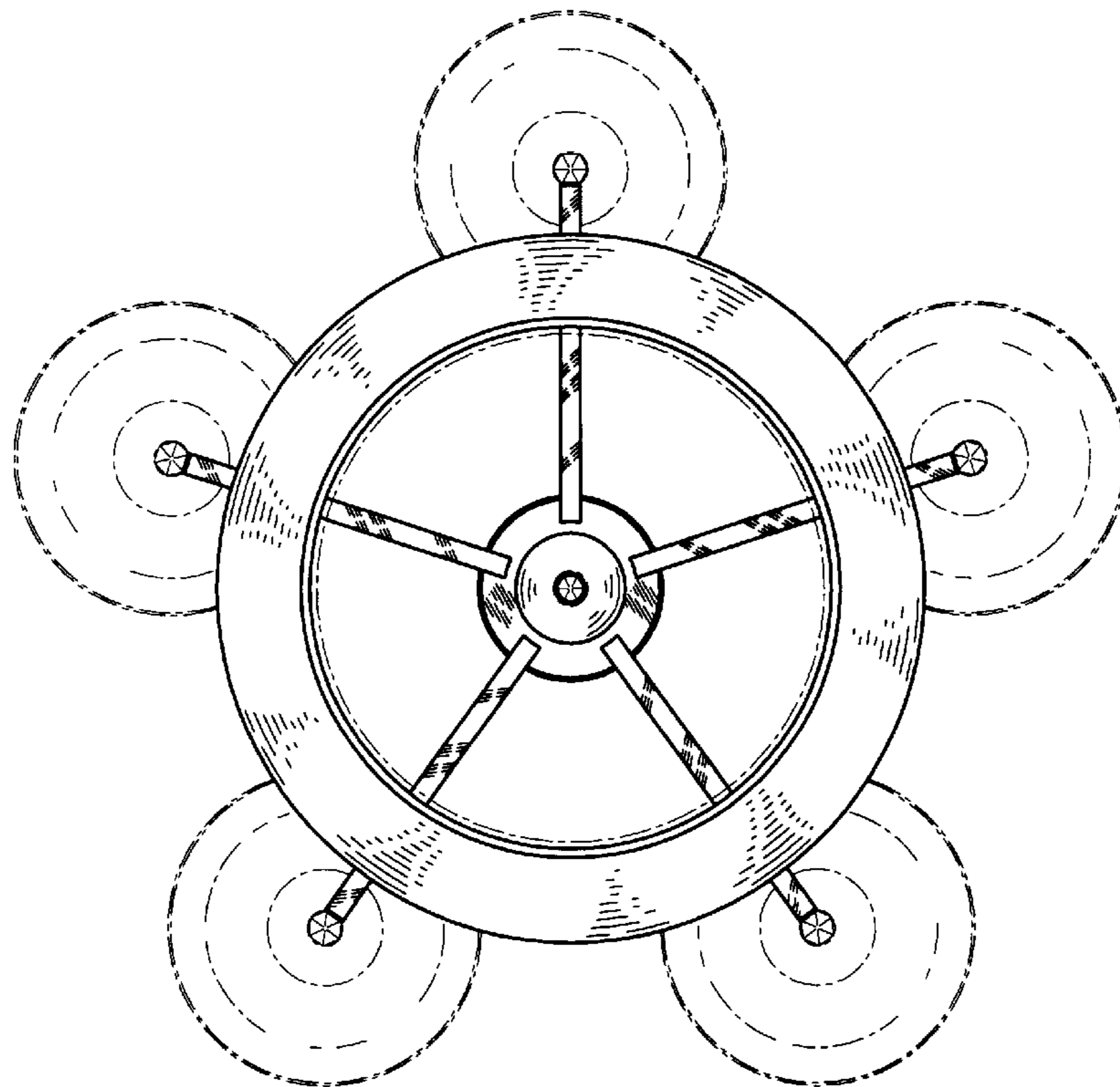


FIG. 7