



US00D514726S

(12) **United States Design Patent**
Ping

(10) **Patent No.:** **US D514,726 S**

(45) **Date of Patent:** **** Feb. 7, 2006**

(54) **DETACHABLE LAMP**

(75) **Inventor:** **Qiu Jian Ping, Hangzhou (CN)**

(73) **Assignee:** **Great Neck Saw Manufacturers, Inc.,
Mineola, NY (US)**

(**) **Term:** **14 Years**

(21) **Appl. No.:** **29/215,259**

(22) **Filed:** **Oct. 15, 2004**

(51) **LOC (8) Cl. 26-05**

(52) **U.S. Cl. D26/60; D26/62**

(58) **Field of Classification Search** D26/60-66,
D26/94; 362/190, 191, 267, 275, 285, 287,
362/396, 418, 419, 427, 215, 259, 273, 289
See application file for complete search history.

(56) **References Cited**

U.S. PATENT DOCUMENTS

D105,588 S	8/1937	Korengold	
D147,900 S	11/1947	Fanelli	
2,440,873 A	5/1948	Popp et al.	
3,270,192 A	* 8/1966	Watson	362/293
3,374,347 A	3/1968	Hirose	
3,992,618 A	11/1976	Matthews et al.	
D251,686 S	4/1979	Kurokawa	
4,238,816 A	12/1980	Merlo	
4,288,848 A	9/1981	Fido	
4,528,618 A	7/1985	Bitsch	
D286,682 S	* 11/1986	Greenlee	D26/63
5,180,220 A	1/1993	Van Kalsbeek	

D342,336 S	12/1993	Blet	
D366,711 S	1/1996	Clasby	
D383,235 S	9/1997	Murch, Sr.	
5,664,875 A	9/1997	Hegedus	
D385,052 S	10/1997	Huang	
5,823,657 A	10/1998	Price et al.	
D412,591 S	8/1999	Murch	
6,086,228 A	7/2000	McGowan et al.	
6,202,640 B1	3/2001	Naperola et al.	
D457,672 S	* 5/2002	Tsai	D26/62
6,666,563 B2	* 12/2003	Brown	362/84
2004/0228123 A1	* 11/2004	Stewart	362/183
2005/0007778 A1	* 1/2005	Lin	362/250

* cited by examiner

Primary Examiner—Clare E Heflin

(74) *Attorney, Agent, or Firm*—Joseph J. Previto

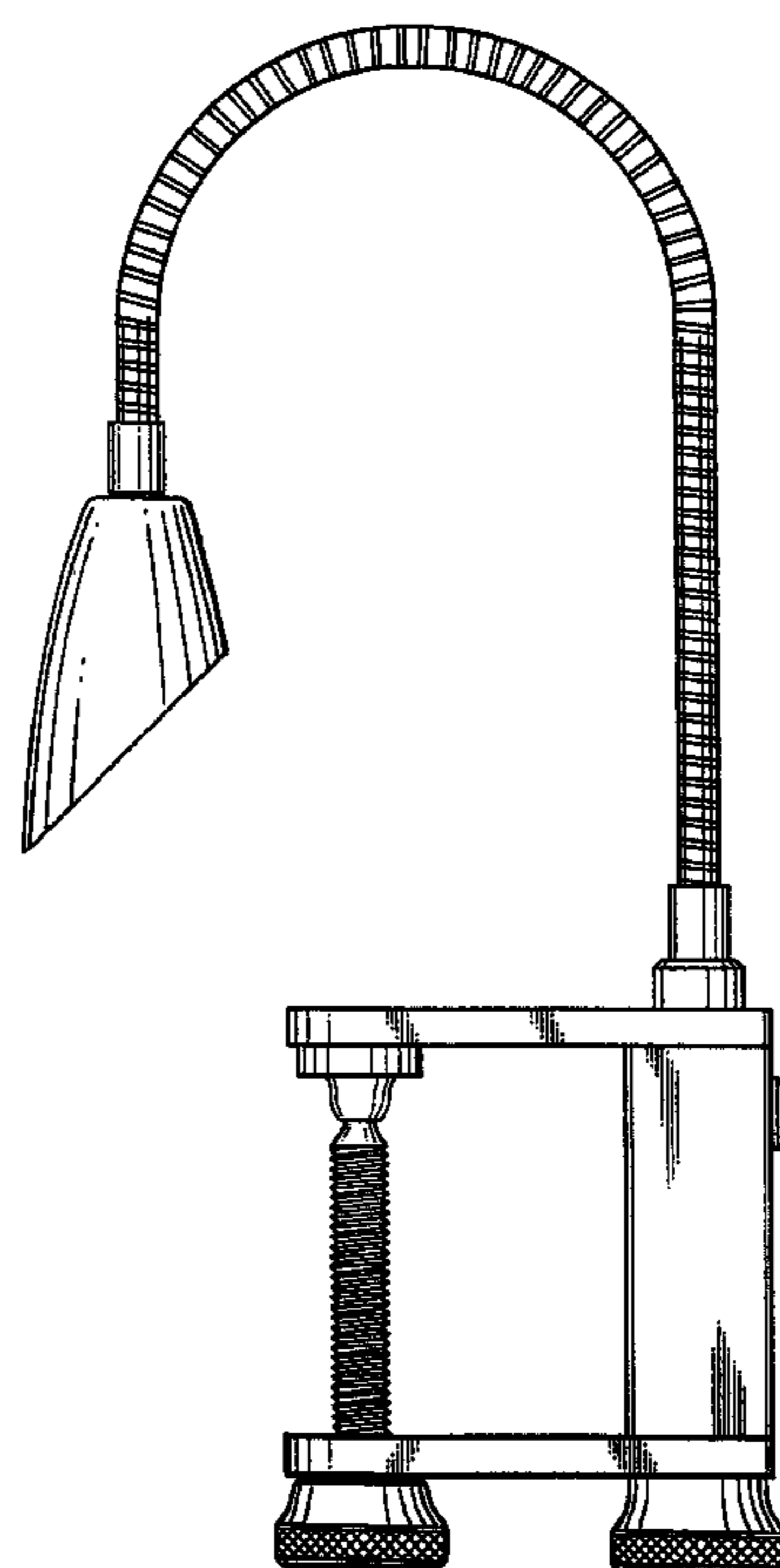
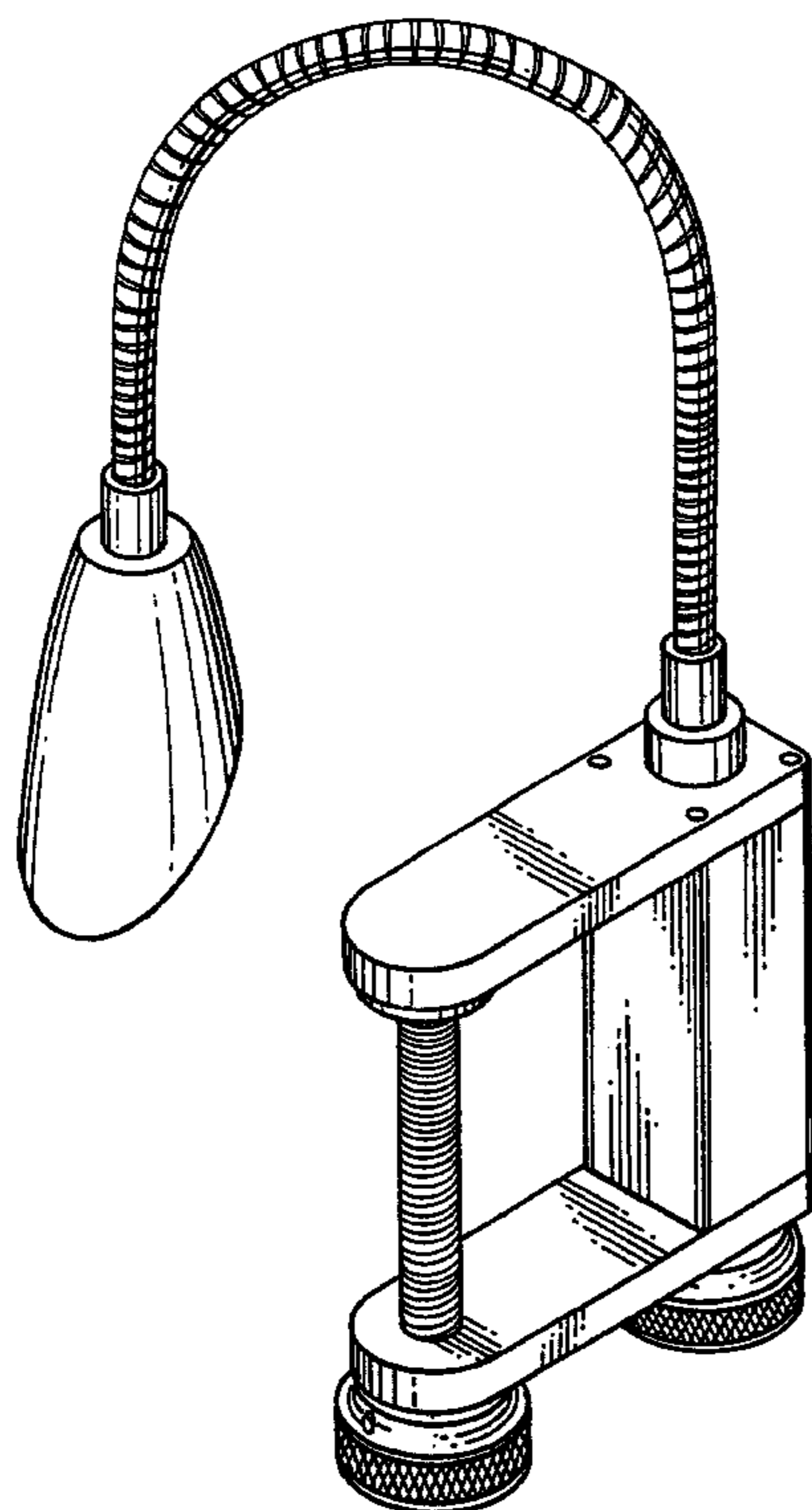
(57) **CLAIM**

The ornamental design for a detachable lamp, as shown and described.

DESCRIPTION

FIG. 1 is a perspective view of my new design.
FIG. 2 is a top view thereof.
FIG. 3 is a front view thereof.
FIG. 4 is a side view thereof.
FIG. 5 is a rear view thereof.
FIG. 6 is a bottom view thereof.
FIG. 7 is a front view of another embodiment of the present invention; and,
FIG. 8 is a side view thereof.

1 Claim, 5 Drawing Sheets



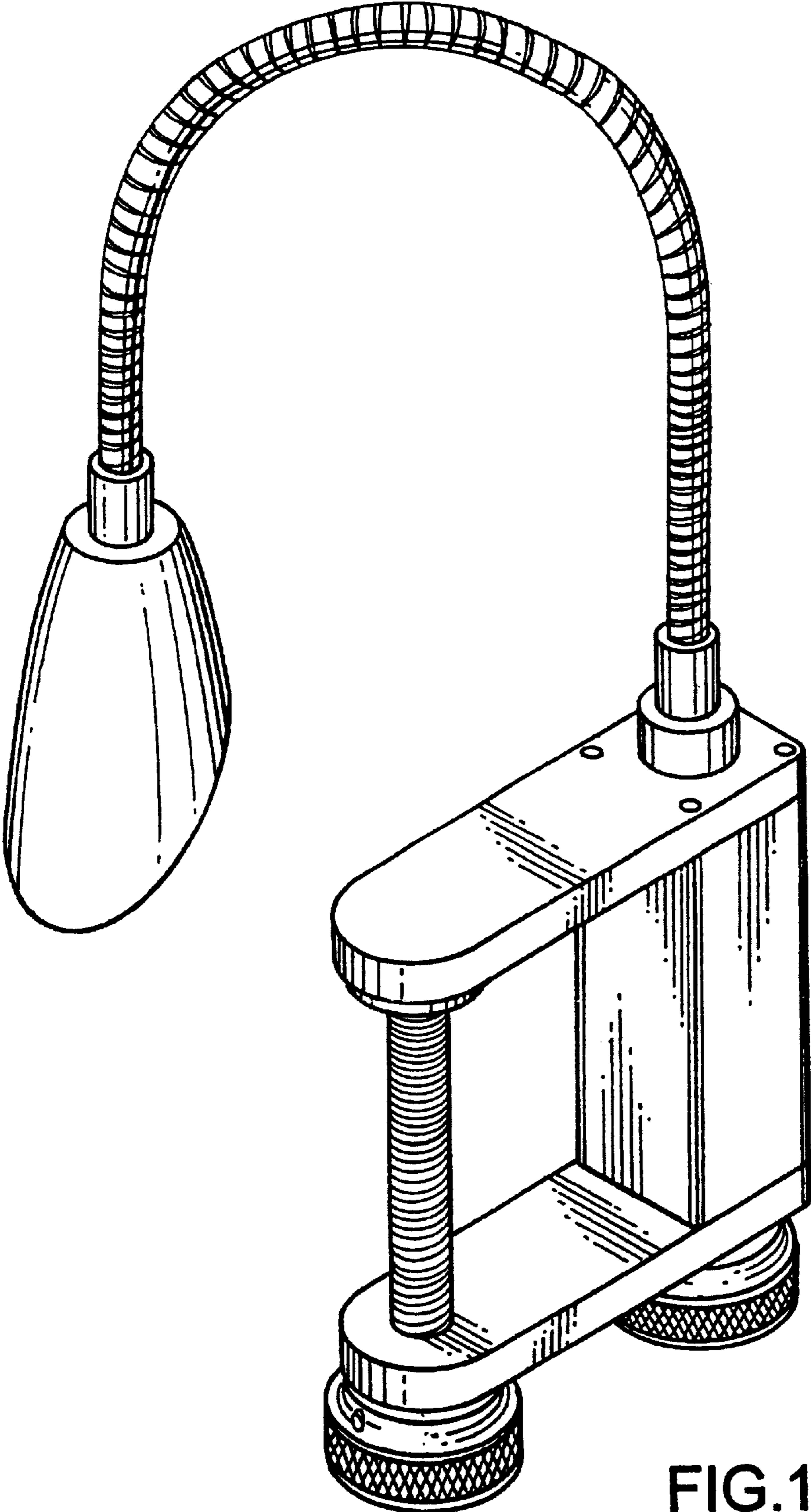


FIG. 1

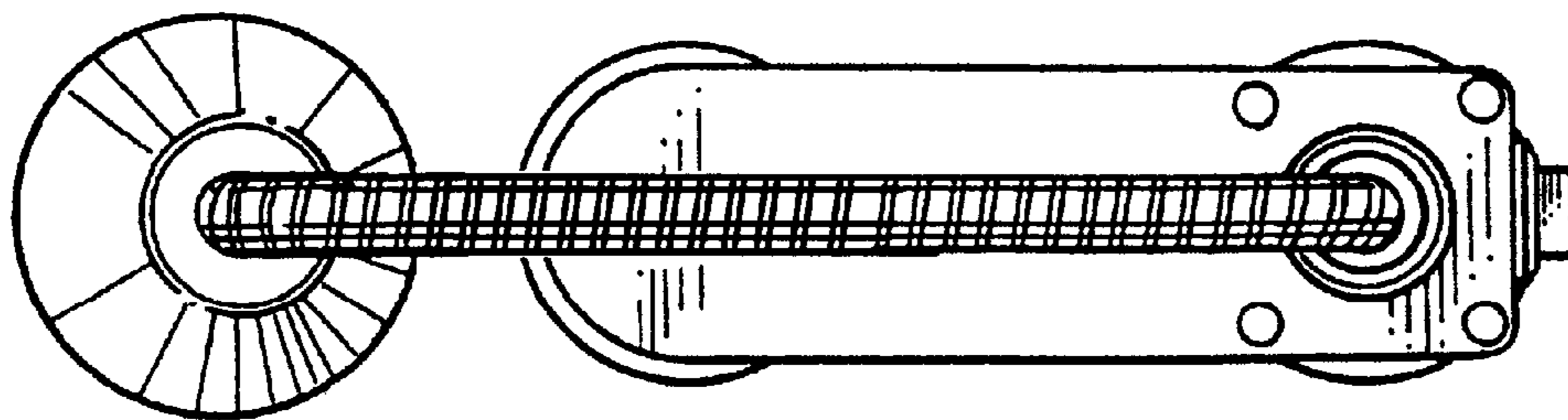


FIG. 2

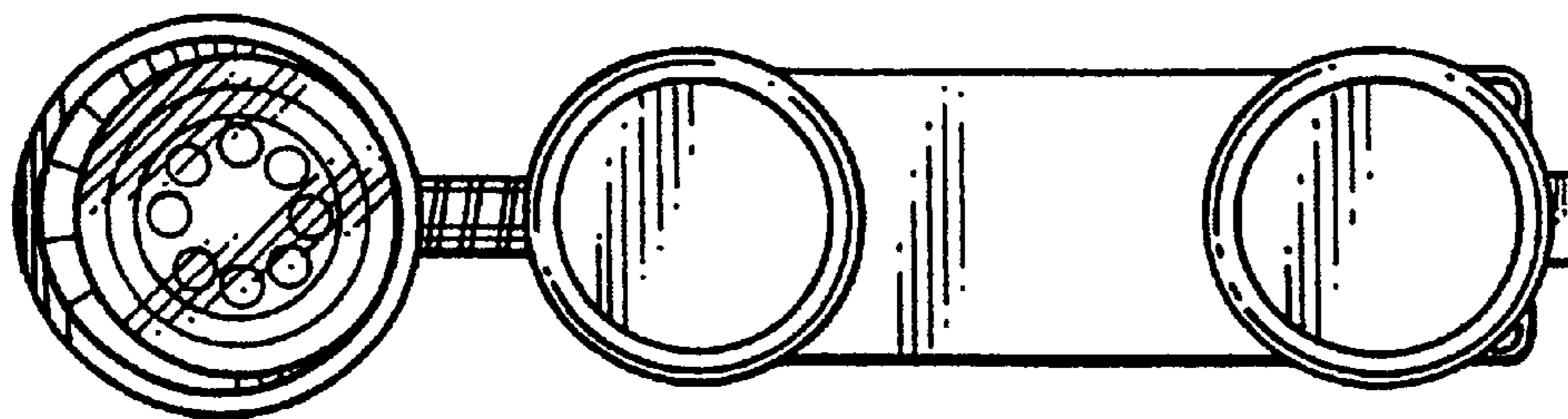


FIG. 6

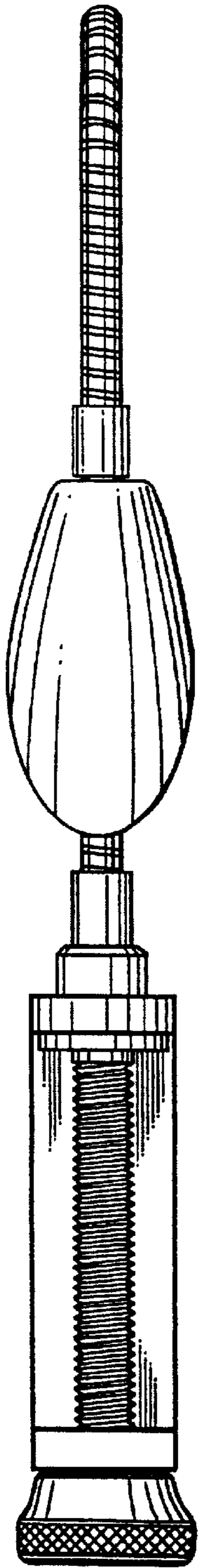


FIG.3

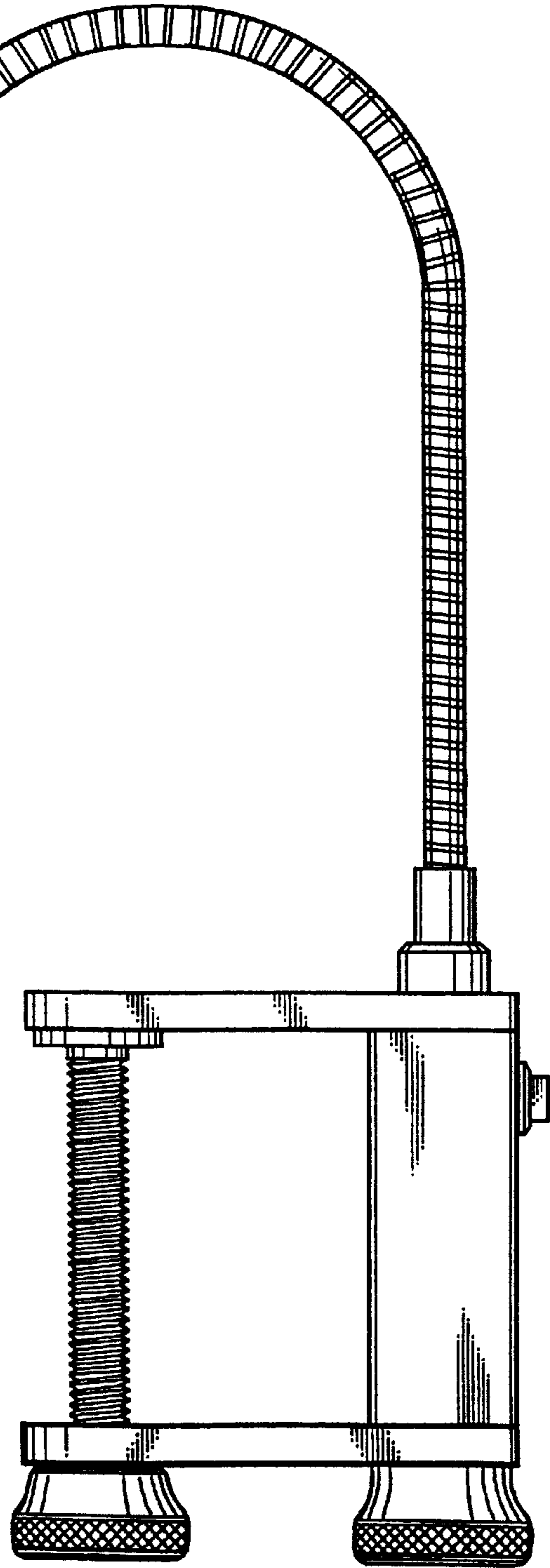
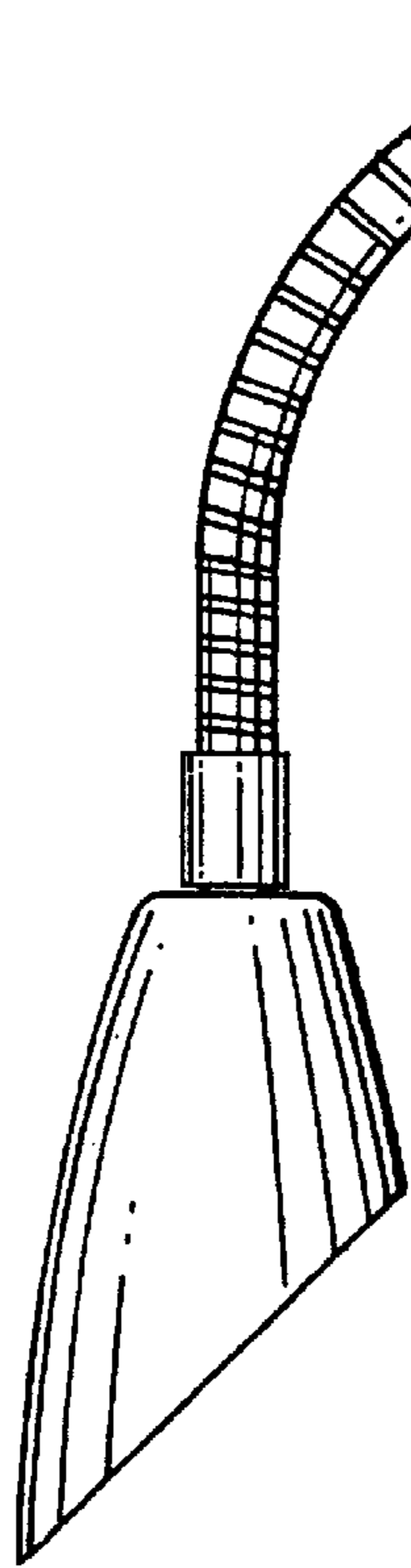


FIG.4

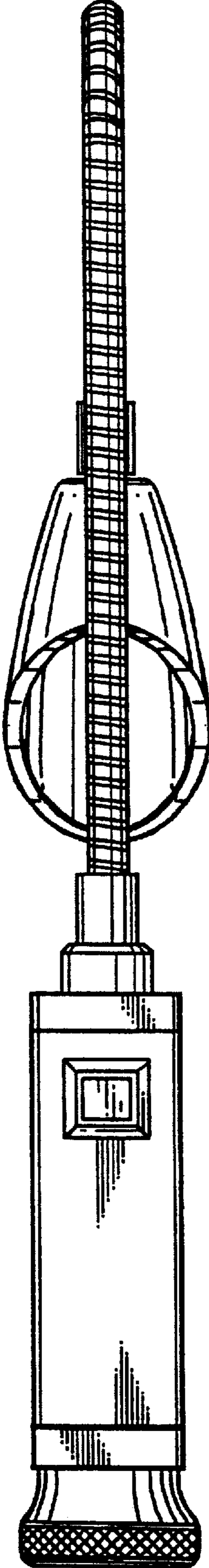


FIG.5

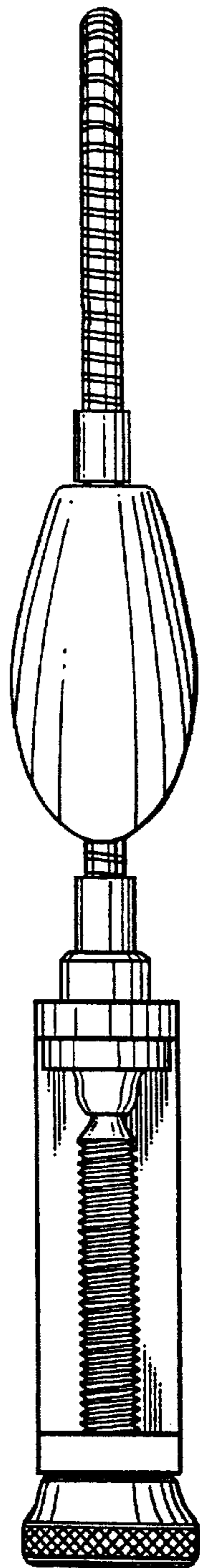


FIG. 7

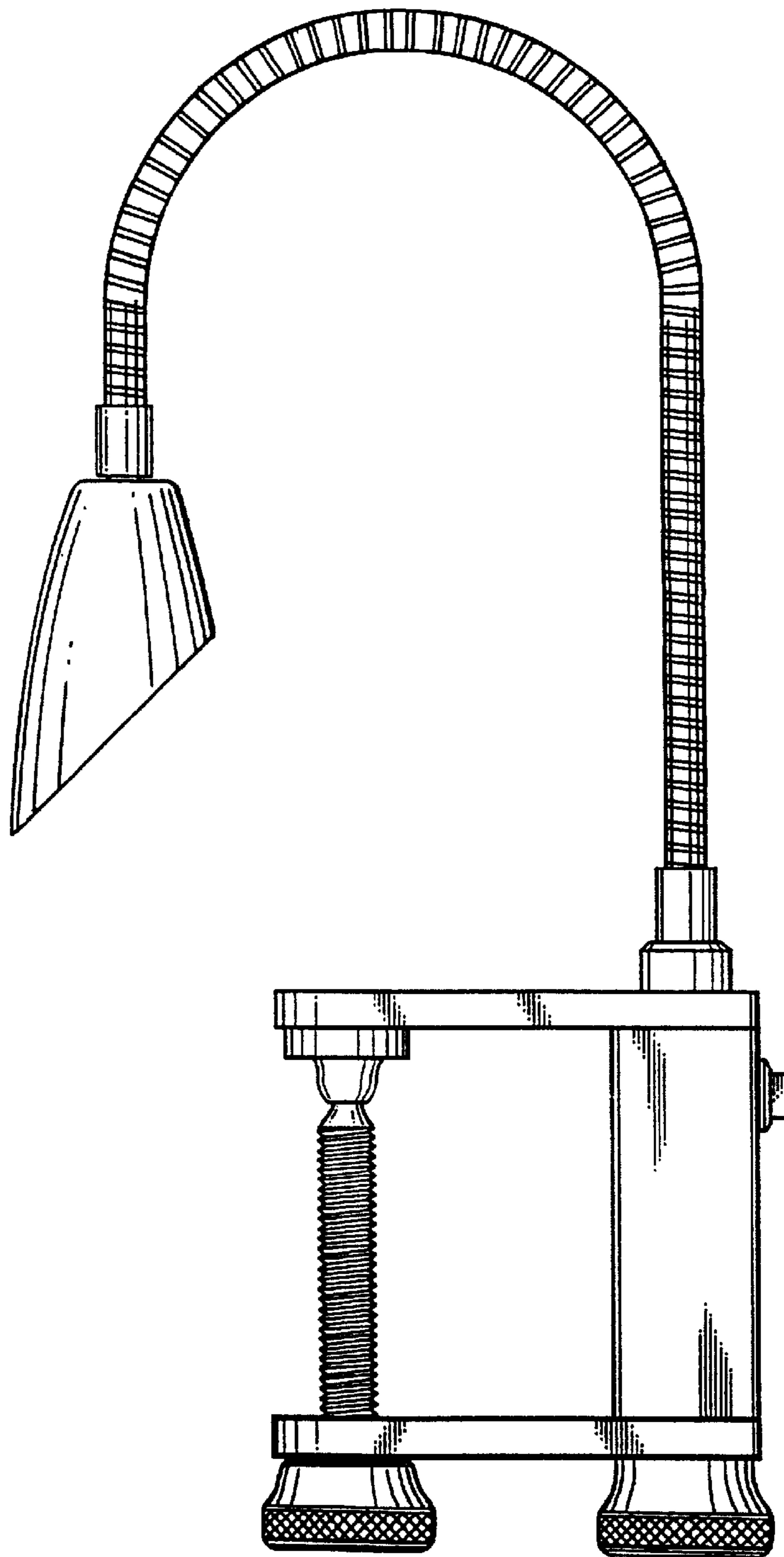


FIG. 8