



US00D514724S

(12) **United States Design Patent**
Yuen

(10) **Patent No.:** **US D514,724 S**
(45) **Date of Patent:** **** Feb. 7, 2006**

(54) **STORMER HI-TECH SUPER HALOGEN SPOTLIGHT**

D443,708 S * 6/2001 Lynch et al. D26/46
D447,588 S * 9/2001 Zeller D26/46
D485,628 S * 1/2004 Yuen D26/44

(76) **Inventor:** **Se Kit Yuen**, 6/F., Yau Lee Centre, 45
Hol Yuen Road, Kwun Tong, Kowloon,
Hong Kong (CN)

* cited by examiner

Primary Examiner—Marcus A. Jackson

(**) **Term:** **14 Years**

(57) **CLAIM**

(21) **Appl. No.:** **29/218,087**

The ornamental design for a stormer hi-tech super halgon spotlight, as shown.

(22) **Filed:** **Nov. 26, 2004**

DESCRIPTION

(30) **Foreign Application Priority Data**

Oct. 20, 2004 (HK) 0412397

(51) **LOC (8) Cl.** **26-02**

(52) **U.S. Cl.** **D26/46**

(58) **Field of Classification Search** D26/37-50;
362/157, 158, 171-174, 183-208

See application file for complete search history.

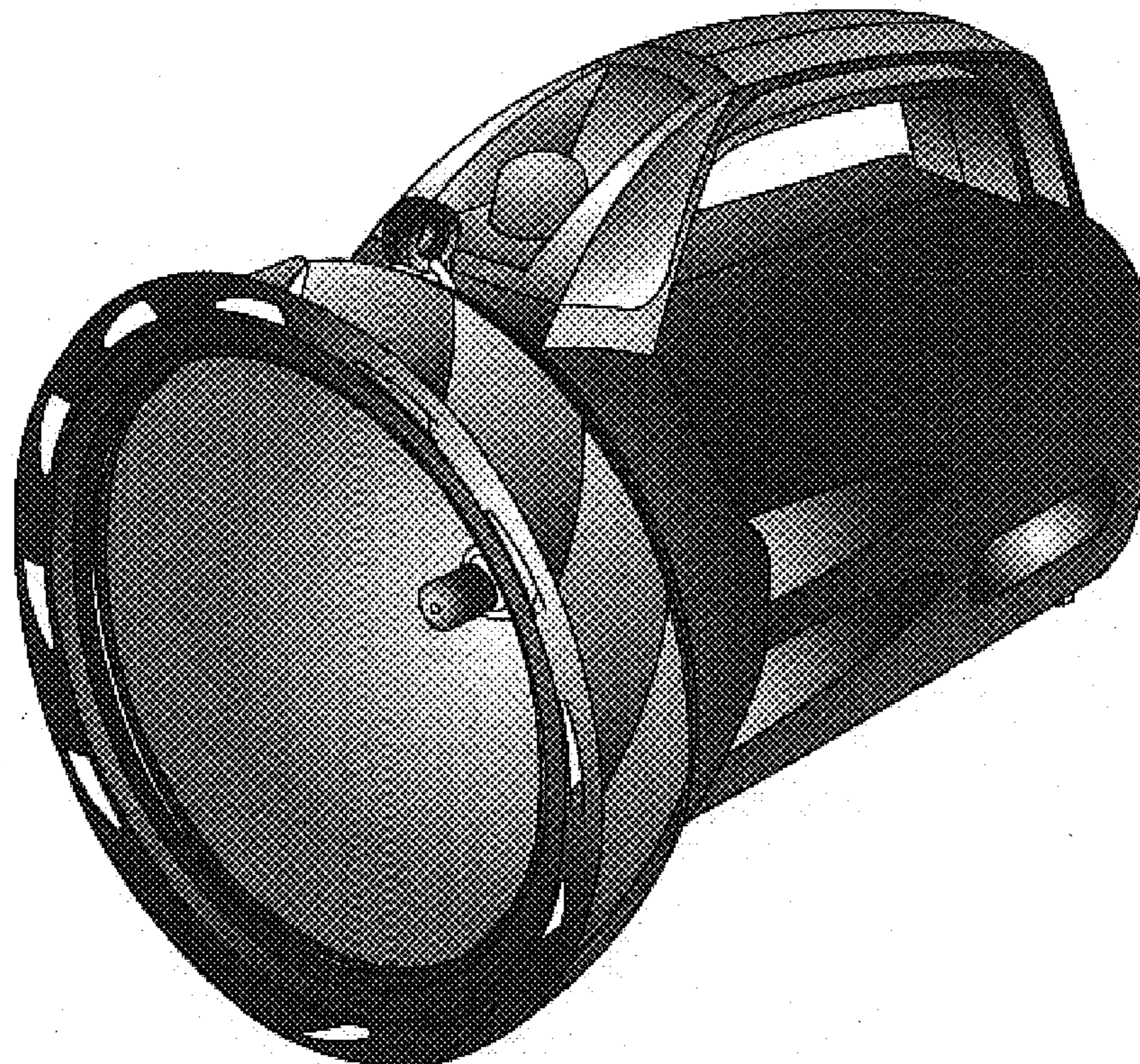
FIG. 1 is front view showing my new design.
FIG. 2 is a rear view thereof.
FIG. 3 is a side view thereof.
FIG. 4 is an other side view thereof.
FIG. 5 is a plan view thereof.
FIG. 6 is an underneath view thereof.
FIG. 7 is a front isometric view thereof; and,
FIG. 8 is a rear isometric view thereof.
The surface(s) or portion(s) of the article not shown in the drawing or described in the specification form(s) no part of the claimed design.

(56) **References Cited**

U.S. PATENT DOCUMENTS

D424,224 S * 5/2000 Petterson D26/46

1 Claim, 8 Drawing Sheets



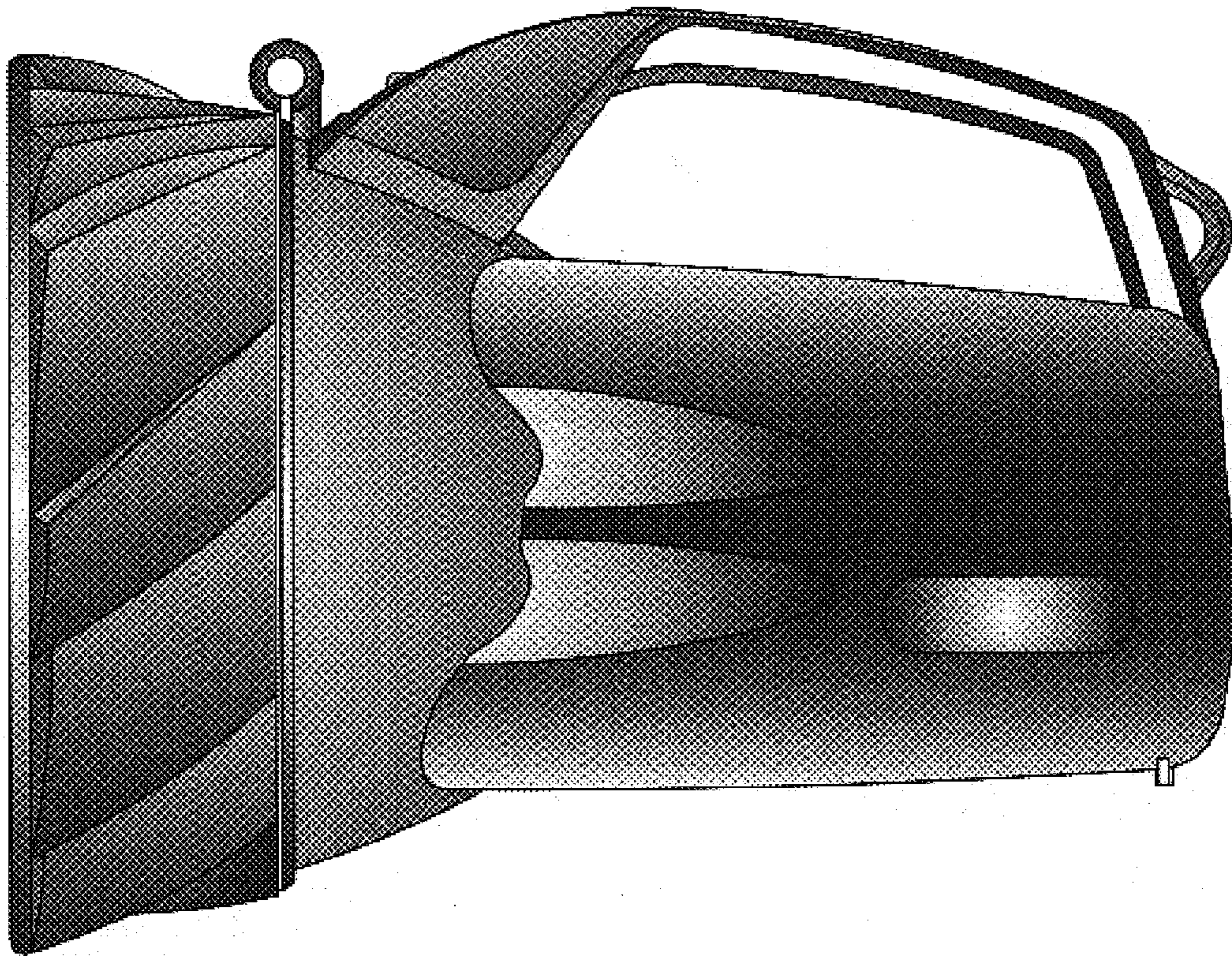


Fig. 1

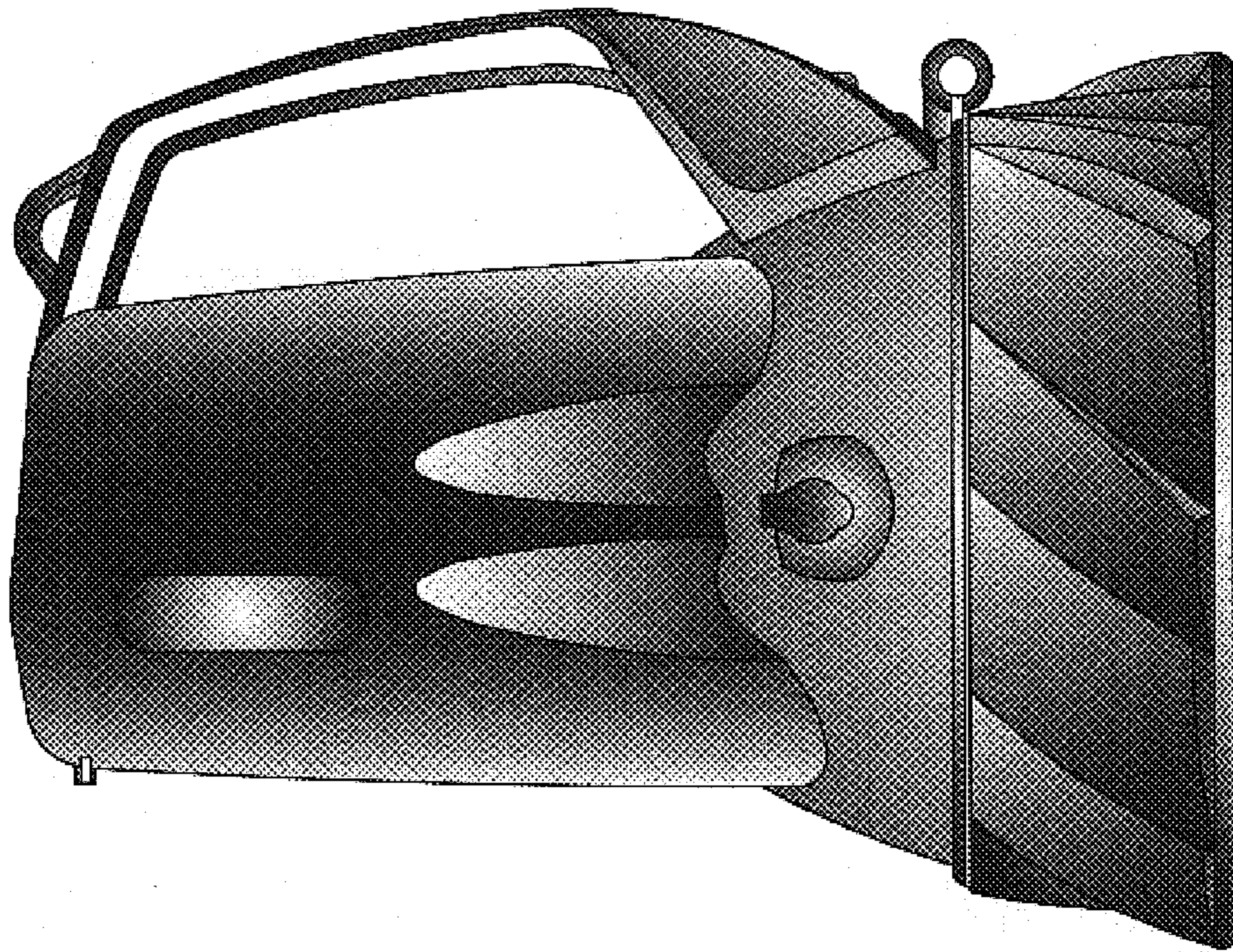


Fig. 2



FIG. 3

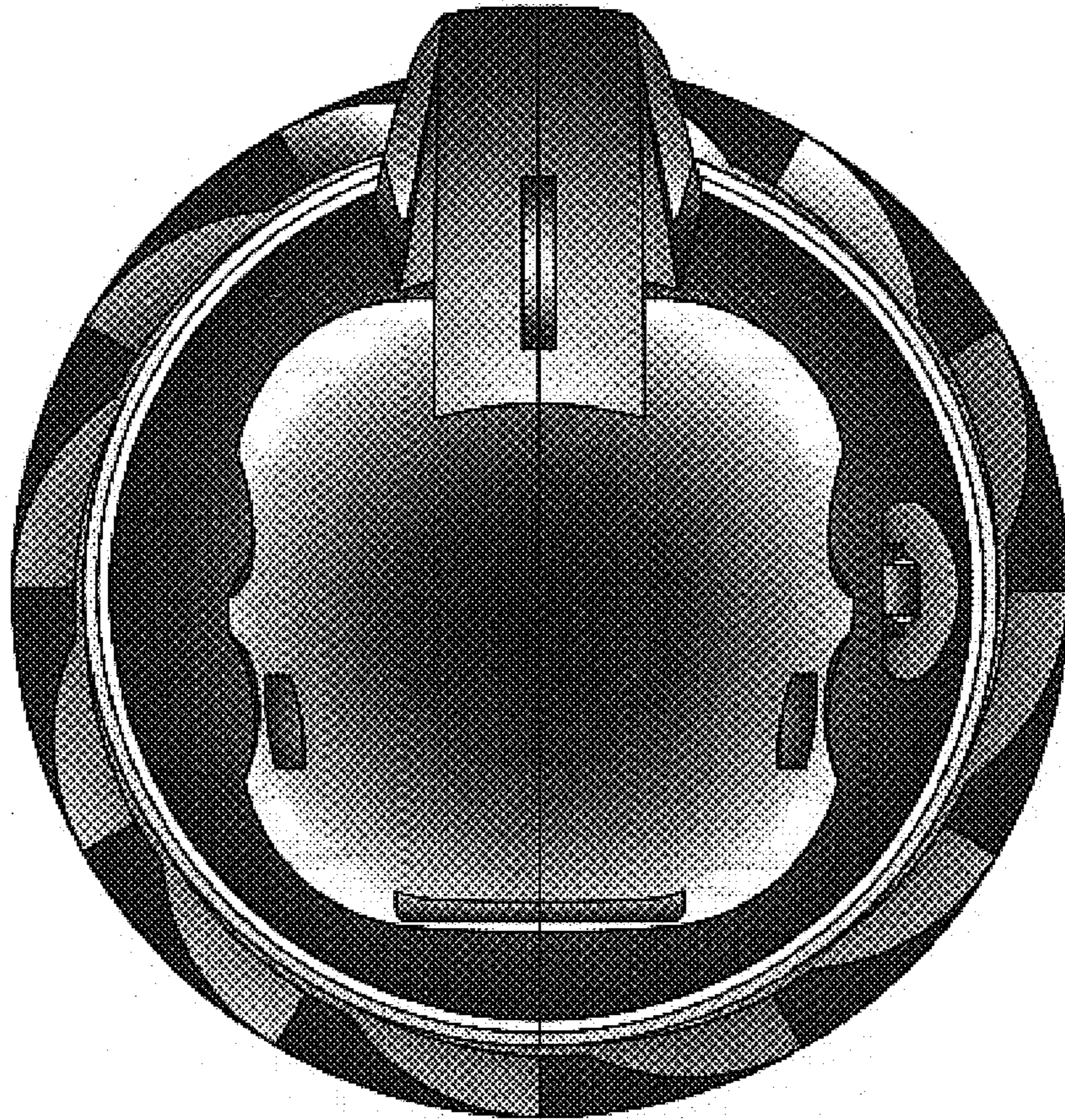


Fig. 4

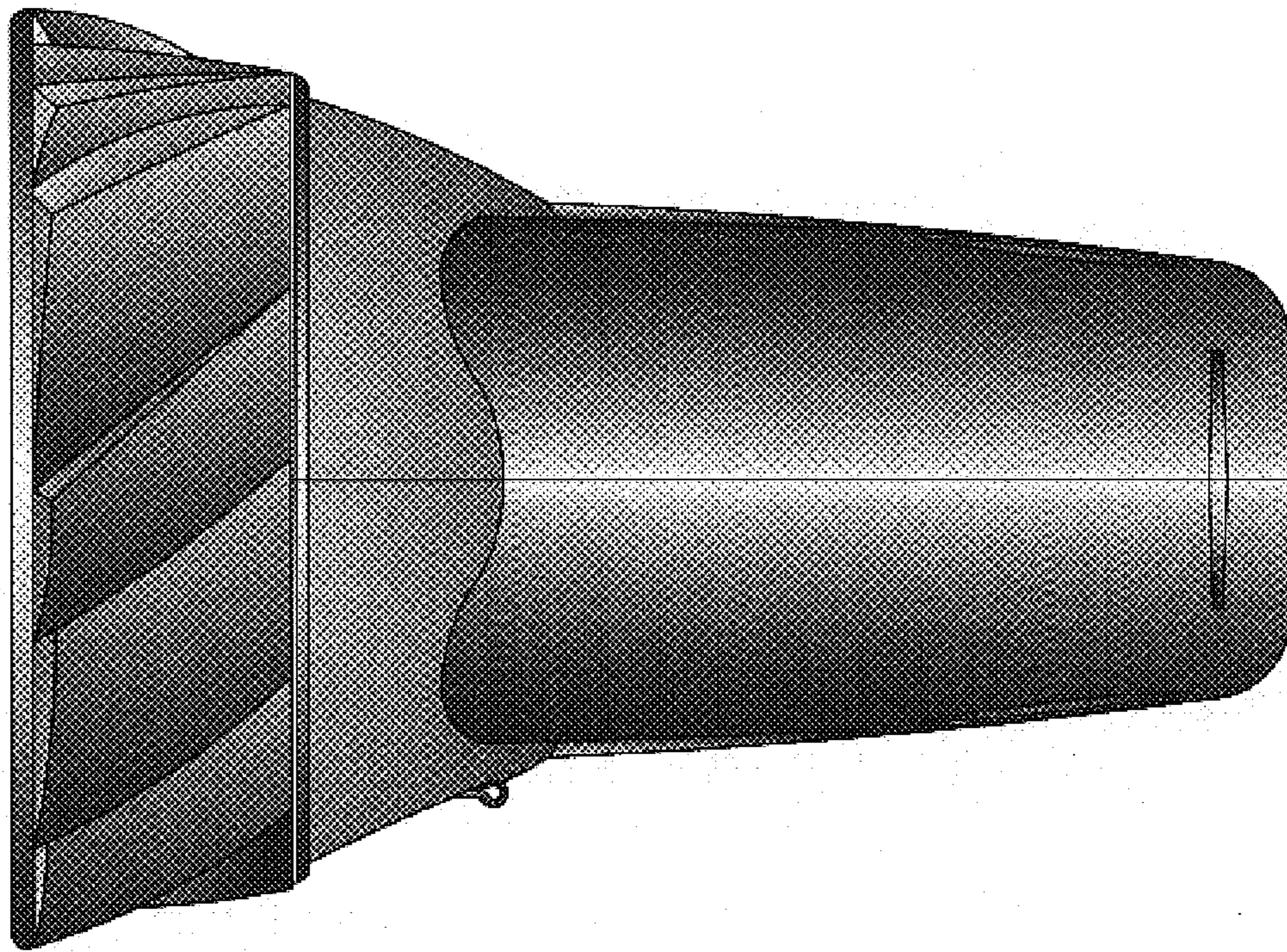


Fig. 5

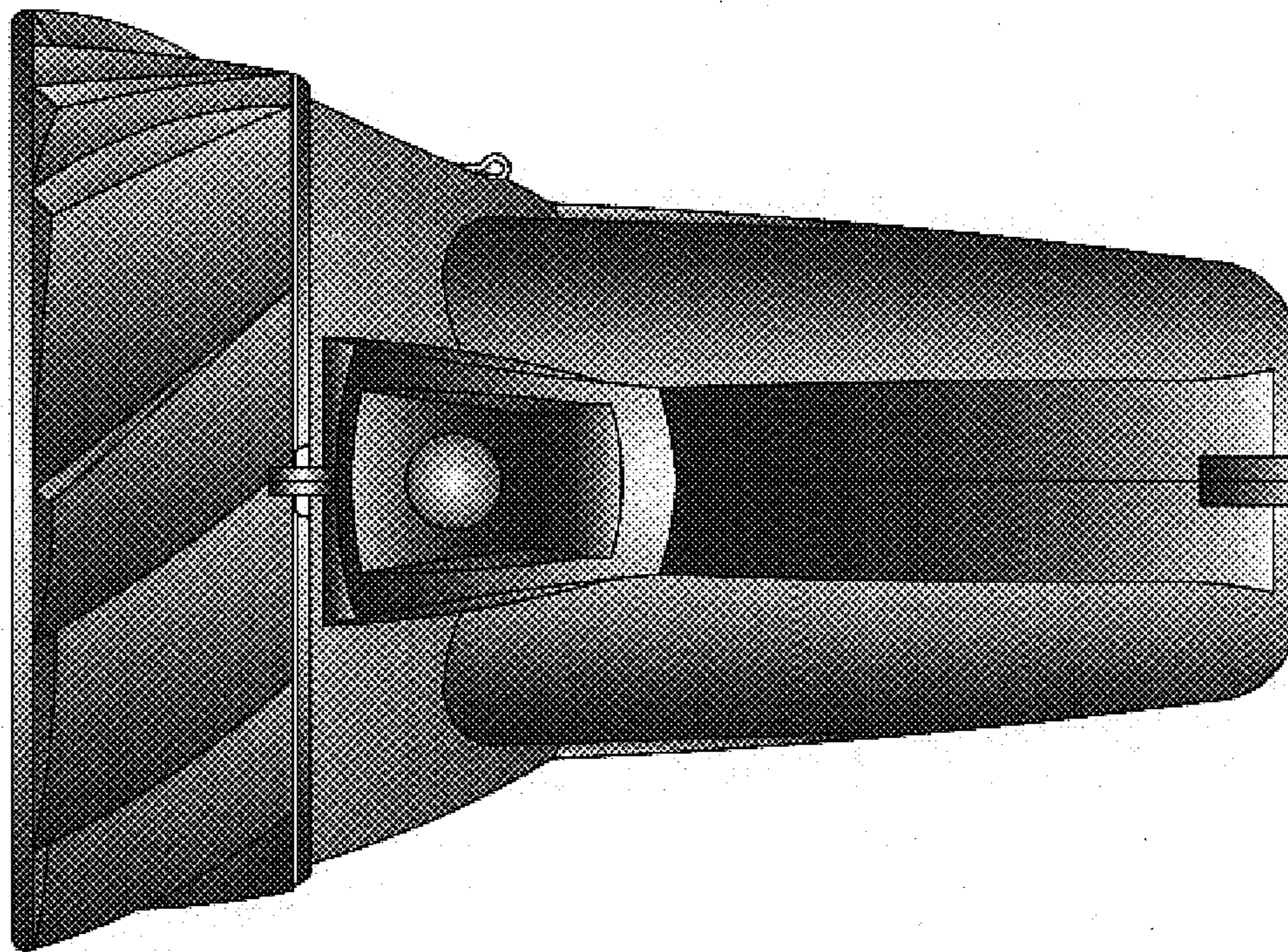


Fig. 6

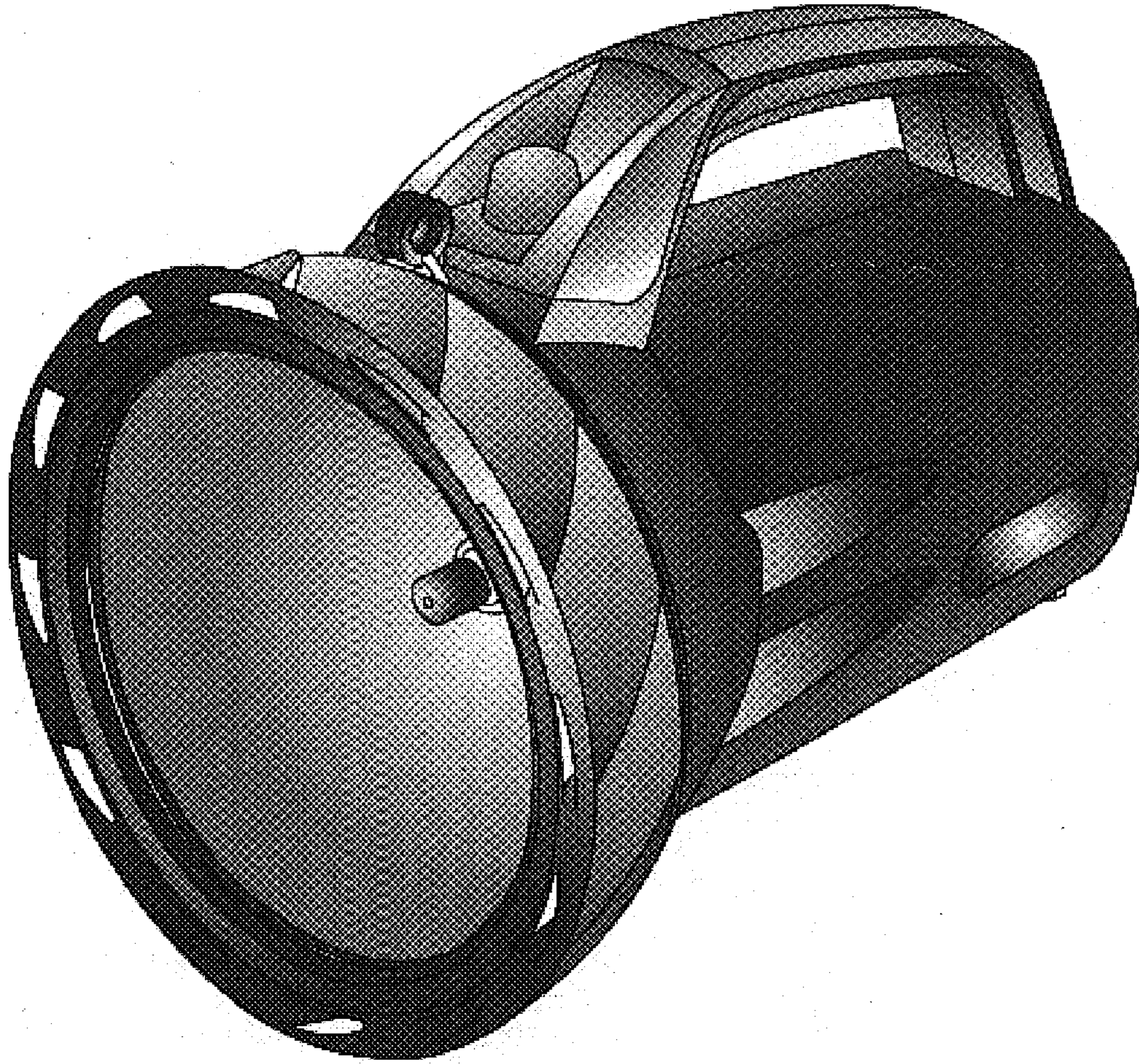


Fig. 7

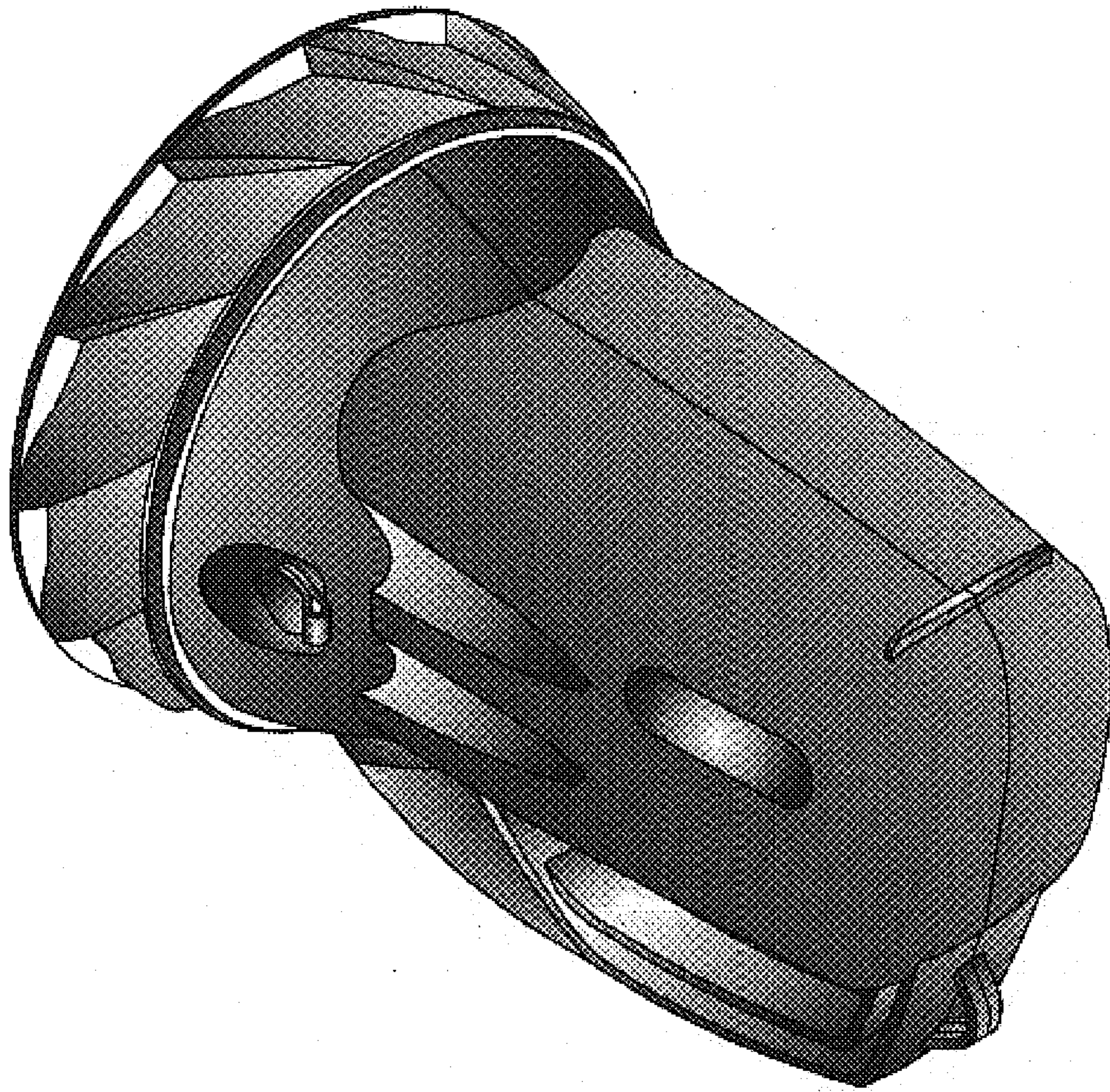


FIG. 8