



US00D514723S

(12) **United States Design Patent**  
**Yuen**

(10) **Patent No.:** **US D514,723 S**

(45) **Date of Patent:** **\*\* Feb. 7, 2006**

(54) **RECHARGEABLE HALOGEN SEARCH LIGHT**

D430,323 S \* 8/2000 Yuen ..... D26/46  
D494,297 S \* 8/2004 Yuen ..... D26/46

(76) **Inventor:** **Se Kit Yuen**, 6/F., Yau Lee Centre, 45  
Hoi Yuen Road, Kwun Tong, Hong  
Kong (HK)

\* cited by examiner

*Primary Examiner*—Marcus A. Jackson

(\*\*) **Term:** **14 Years**

(57) **CLAIM**

The ornamental design for a rechargeable halogen search light, as shown.

(21) **Appl. No.:** **29/216,617**

(22) **Filed:** **Nov. 5, 2004**

**DESCRIPTION**

(30) **Foreign Application Priority Data**

Aug. 23, 2004 (HK) ..... 0411848

(51) **LOC (8) Cl.** ..... **26-02**

(52) **U.S. Cl.** ..... **D26/46**

(58) **Field of Classification Search** ..... D26/37-50;  
362/157, 158, 171-174, 183-208

See application file for complete search history.

FIG. 1 is a right side elevational view of a rechargeable halogen search light showing my new design;  
FIG. 2 is a left elevational view thereof;  
FIG. 3 is a front elevational view thereof;  
FIG. 4 is a rear elevational view thereof;  
FIG. 5 is a plan view thereof; and,  
FIG. 6 is an underneath view thereof.

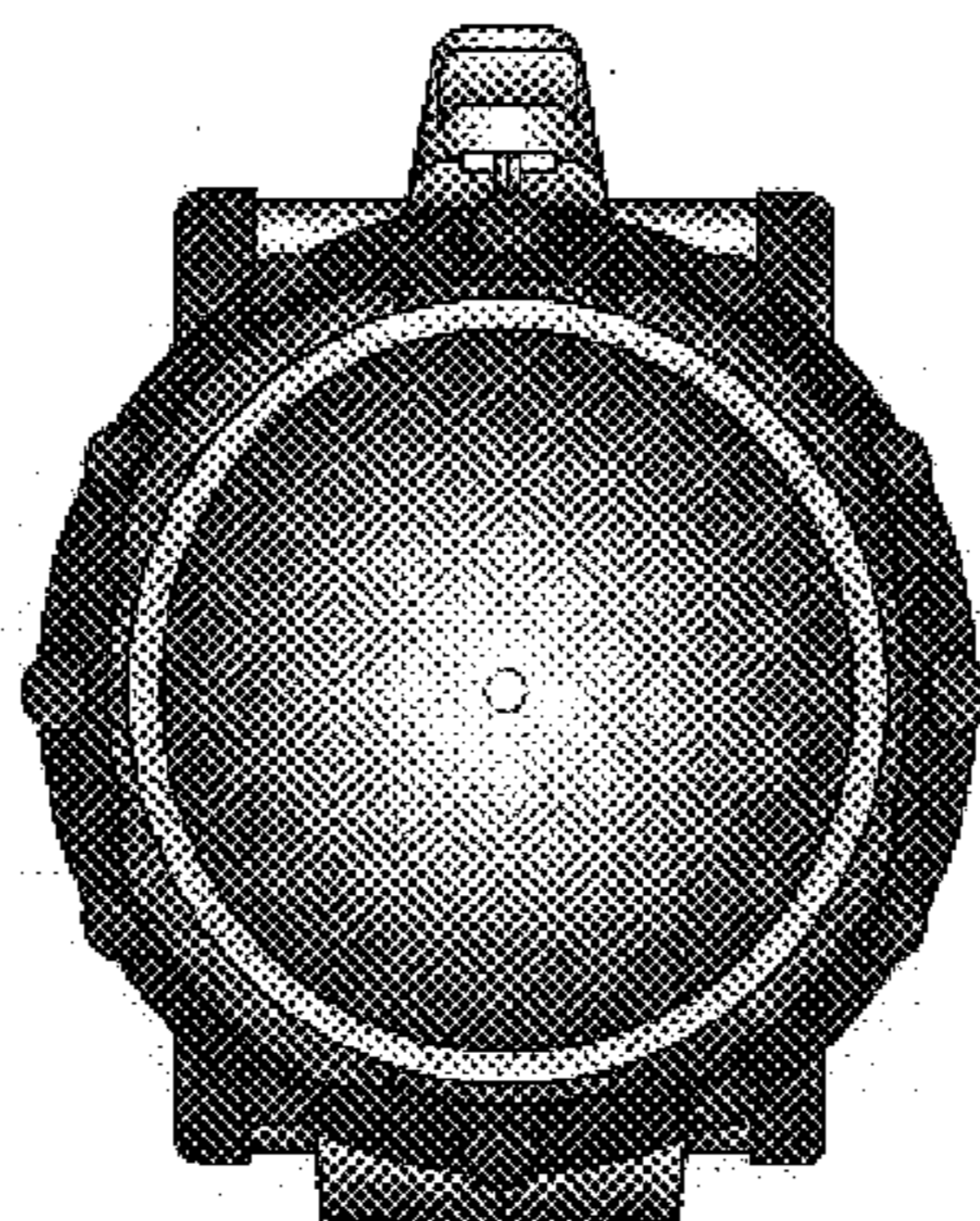
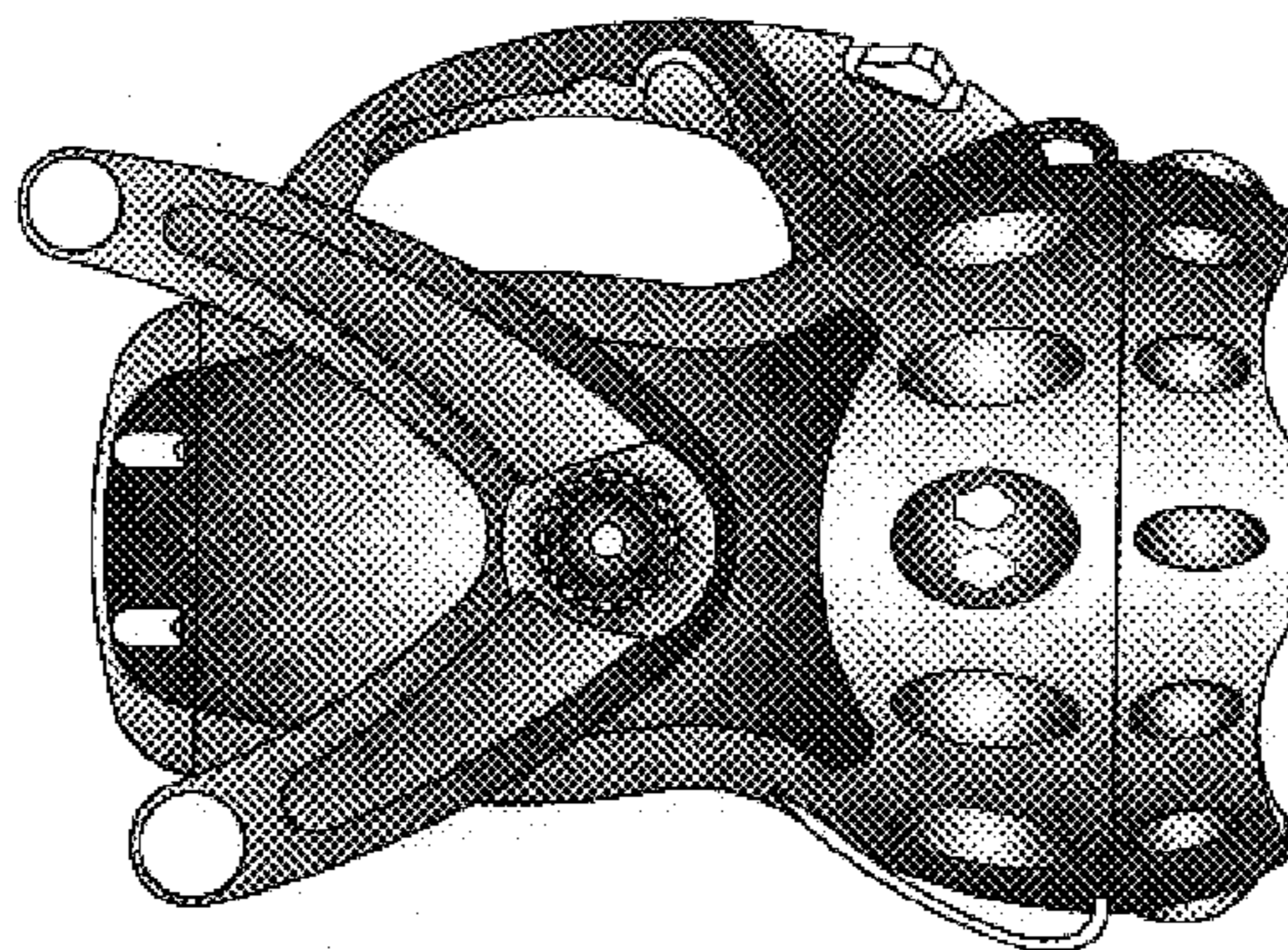
The surface(s) or portion(s) of the article not shown in the drawing or described in the specification form(s) no part of the claimed design.

(56) **References Cited**

**U.S. PATENT DOCUMENTS**

D425,229 S \* 5/2000 Poon ..... D26/46

**1 Claim, 6 Drawing Sheets**



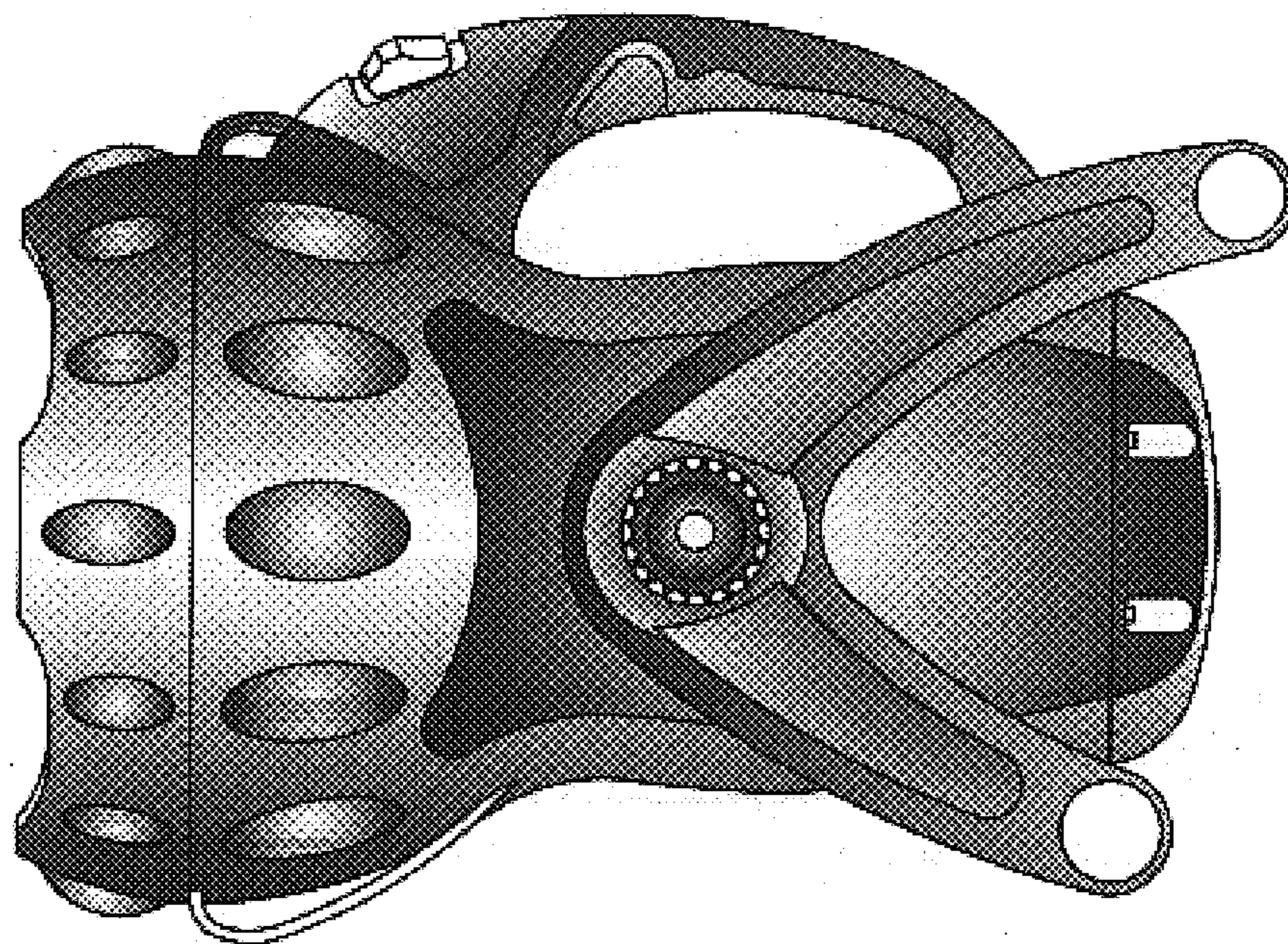


FIG. 1

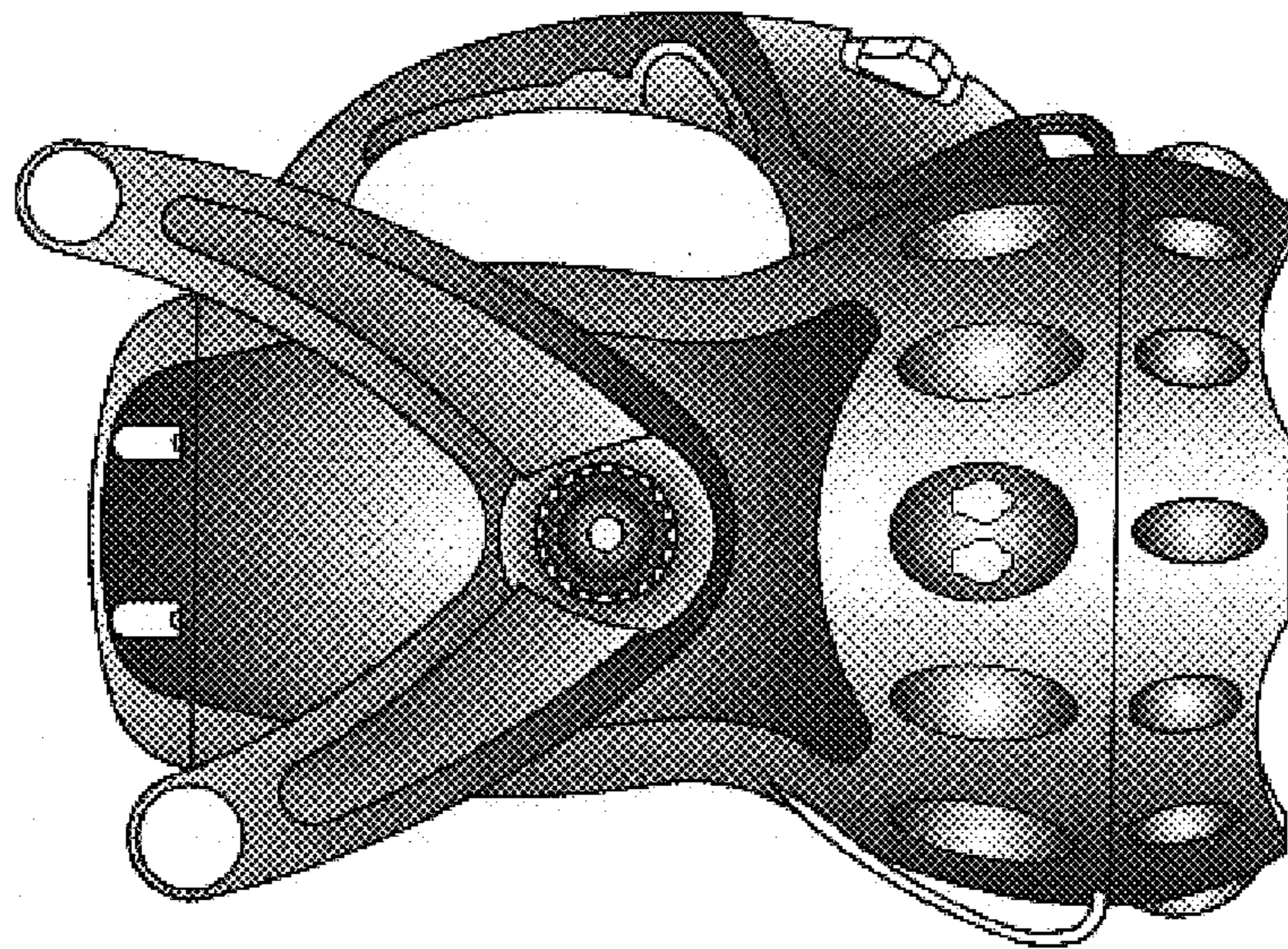


FIG. 2

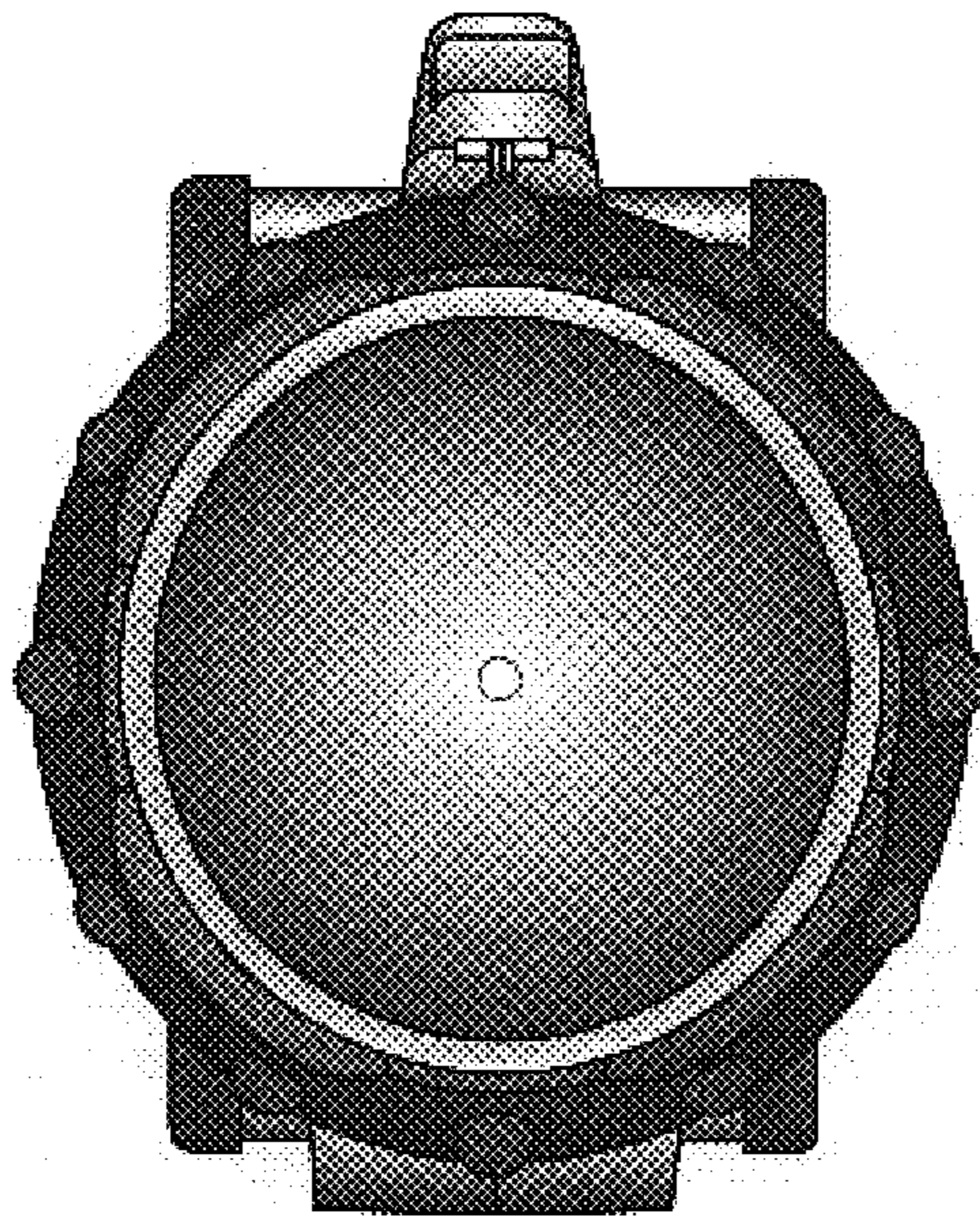


FIG. 3

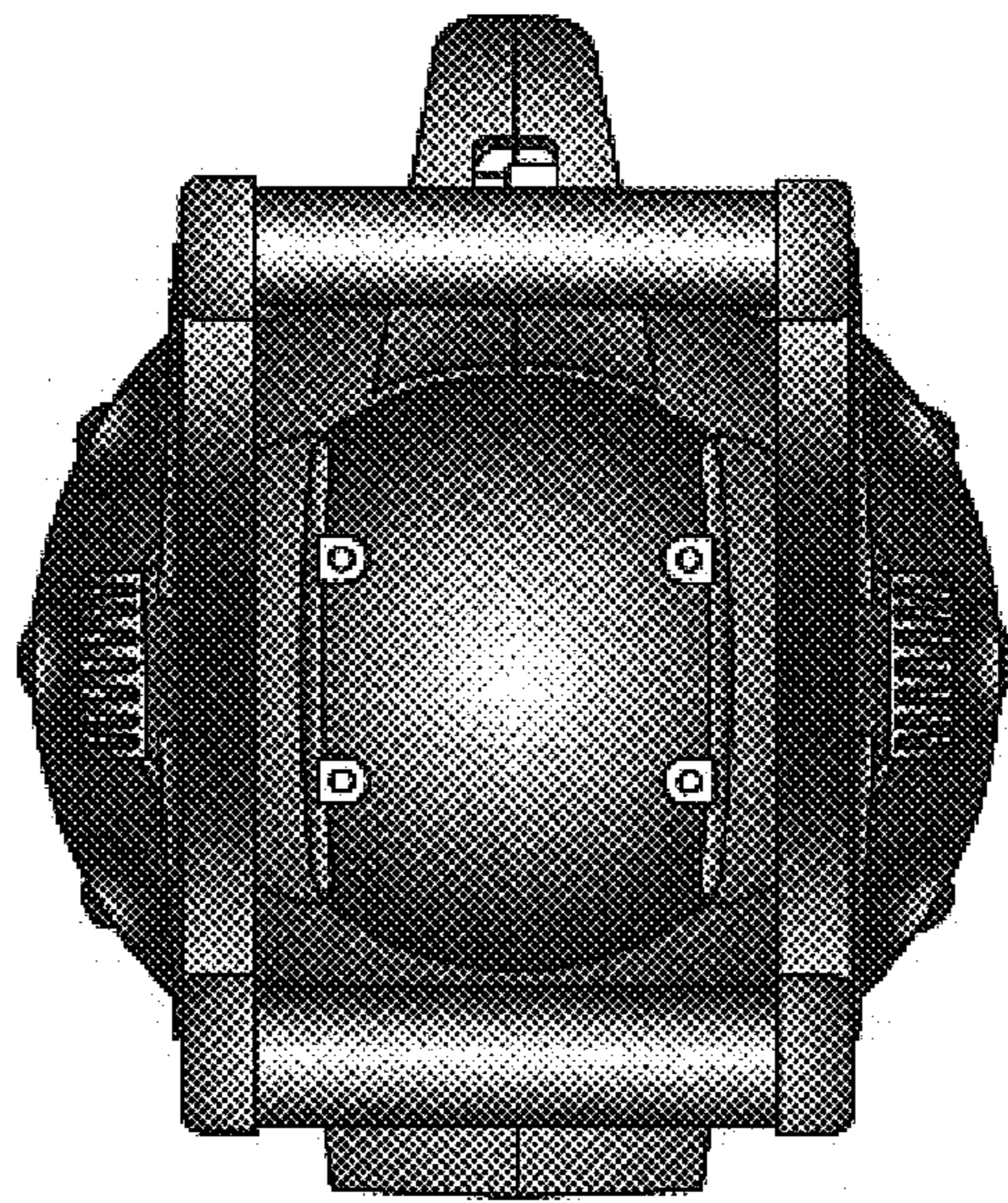


Fig. 4

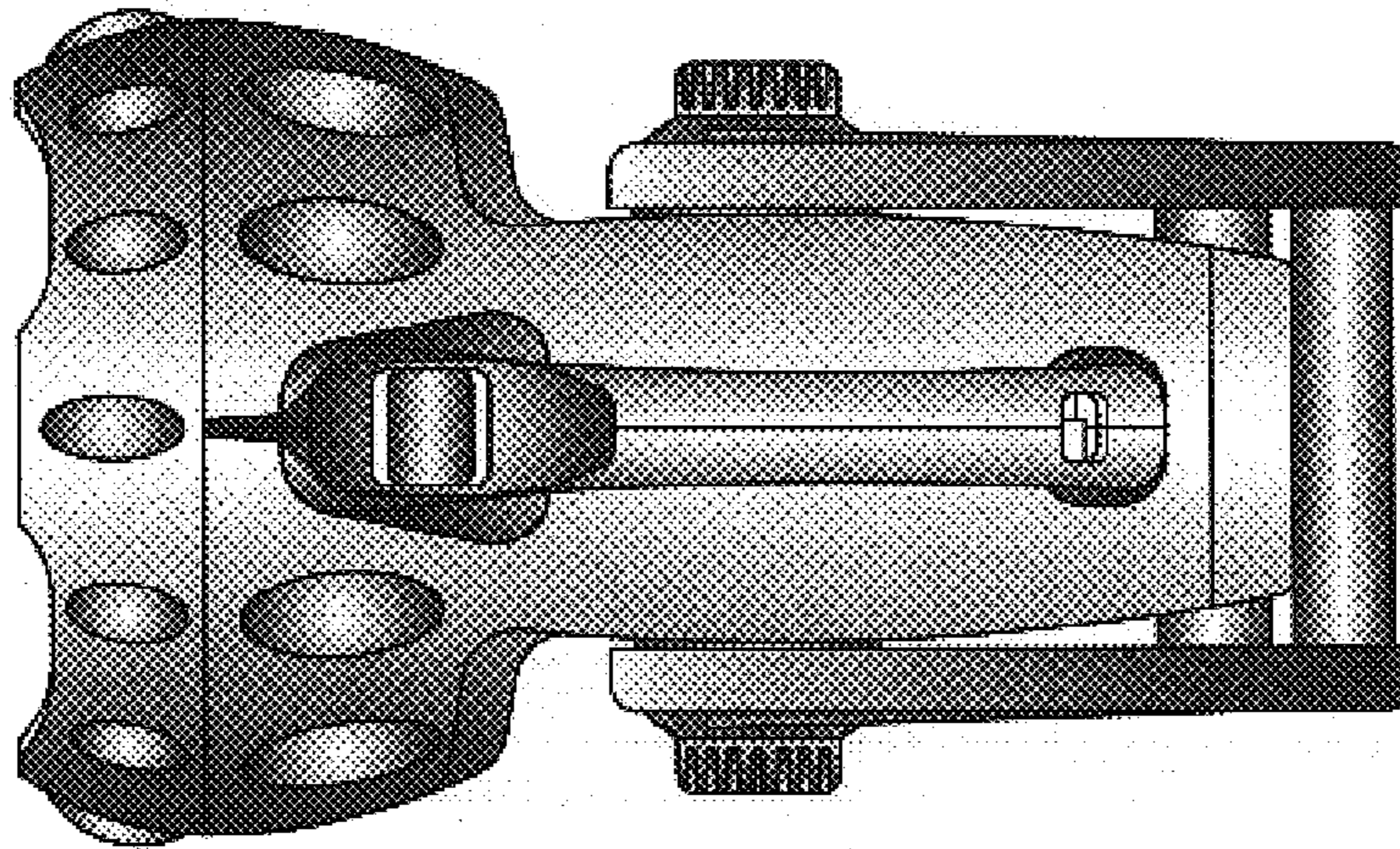


FIG. 5

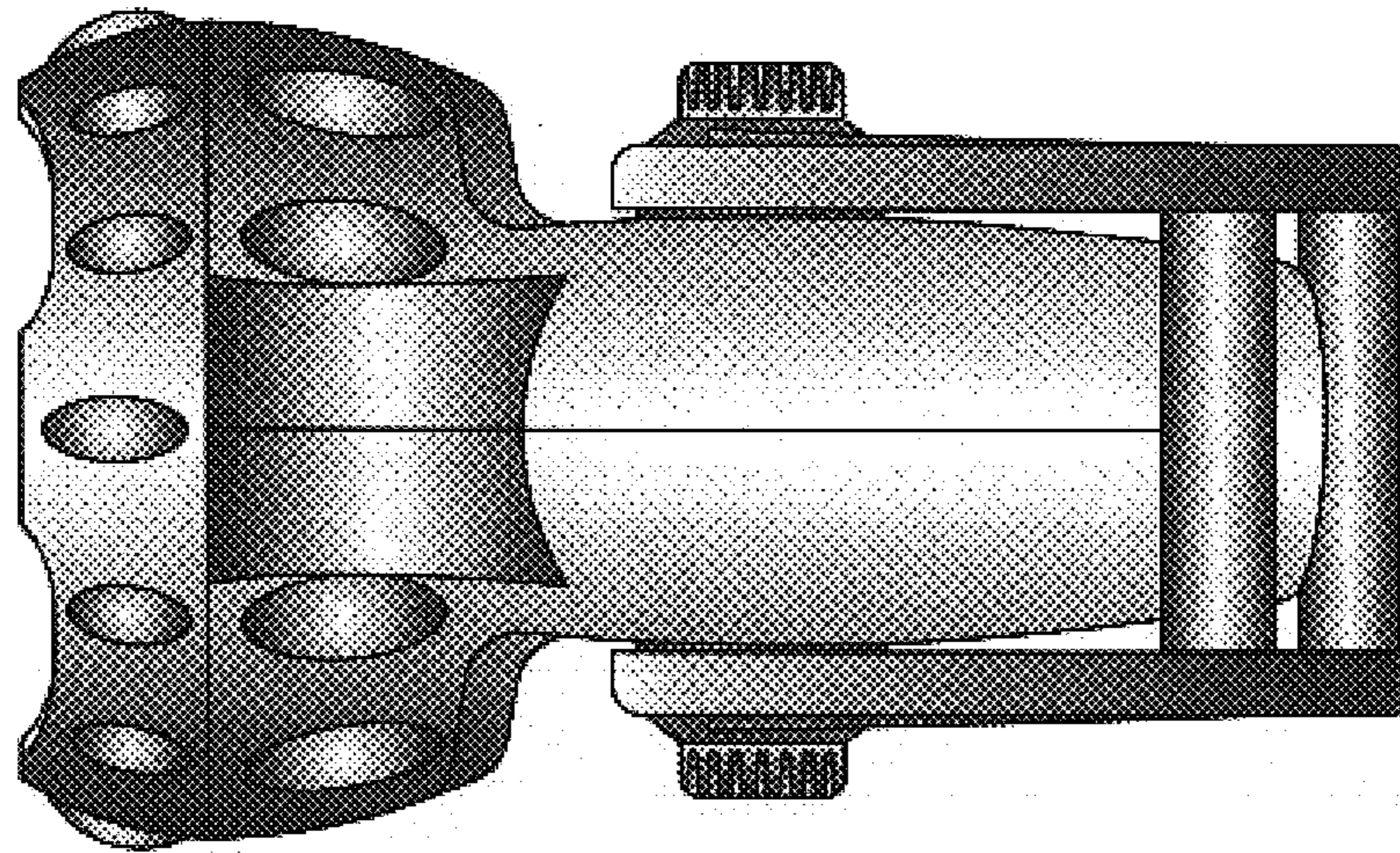


Fig. 6