



US00D514722S

(12) **United States Design Patent**
Shen

(10) **Patent No.:** **US D514,722 S**

(45) **Date of Patent:** **** Feb. 7, 2006**

(54) **SPOT LIGHT**

(76) **Inventor:** **Jianli Shen**, (Yuyao Tianli Electronics Co., Ltd) Guangming (north) road, Simen town, Yuyao city, Zhejiang province (CN), 315470

(**) **Term:** **14 Years**

(21) **Appl. No.:** **29/190,586**

(22) **Filed:** **Sep. 23, 2003**

(51) **LOC (8) Cl.** **26-02**

(52) **U.S. Cl.** **D26/46**

(58) **Field of Classification Search** D26/37-50;
362/157, 158, 171-174, 183-208

See application file for complete search history.

(56) **References Cited**

U.S. PATENT DOCUMENTS

D425,229 S	*	5/2000	Poon	D26/46
D430,323 S	*	8/2000	Yuen	D26/46
D494,297 S	*	8/2004	Yuen	D26/46

* cited by examiner

Primary Examiner—Marcus A. Jackson

(74) *Attorney, Agent, or Firm*—Kaplan, Gilman, Gibson & Dernier L.L.P.

(57) **CLAIM**

The ornamental design for a spot light, as shown and described.

DESCRIPTION

FIG. 1 is a perspective view from the front-right-top side of the spot light with a handle and two stands showing our new design, with the stands closed;

FIG. 2 is a right-side view of the design shown in FIG. 1;

FIG. 3 is a front view of the design shown in FIG. 1;

FIG. 4 is a rear view of the design shown in FIG. 1;

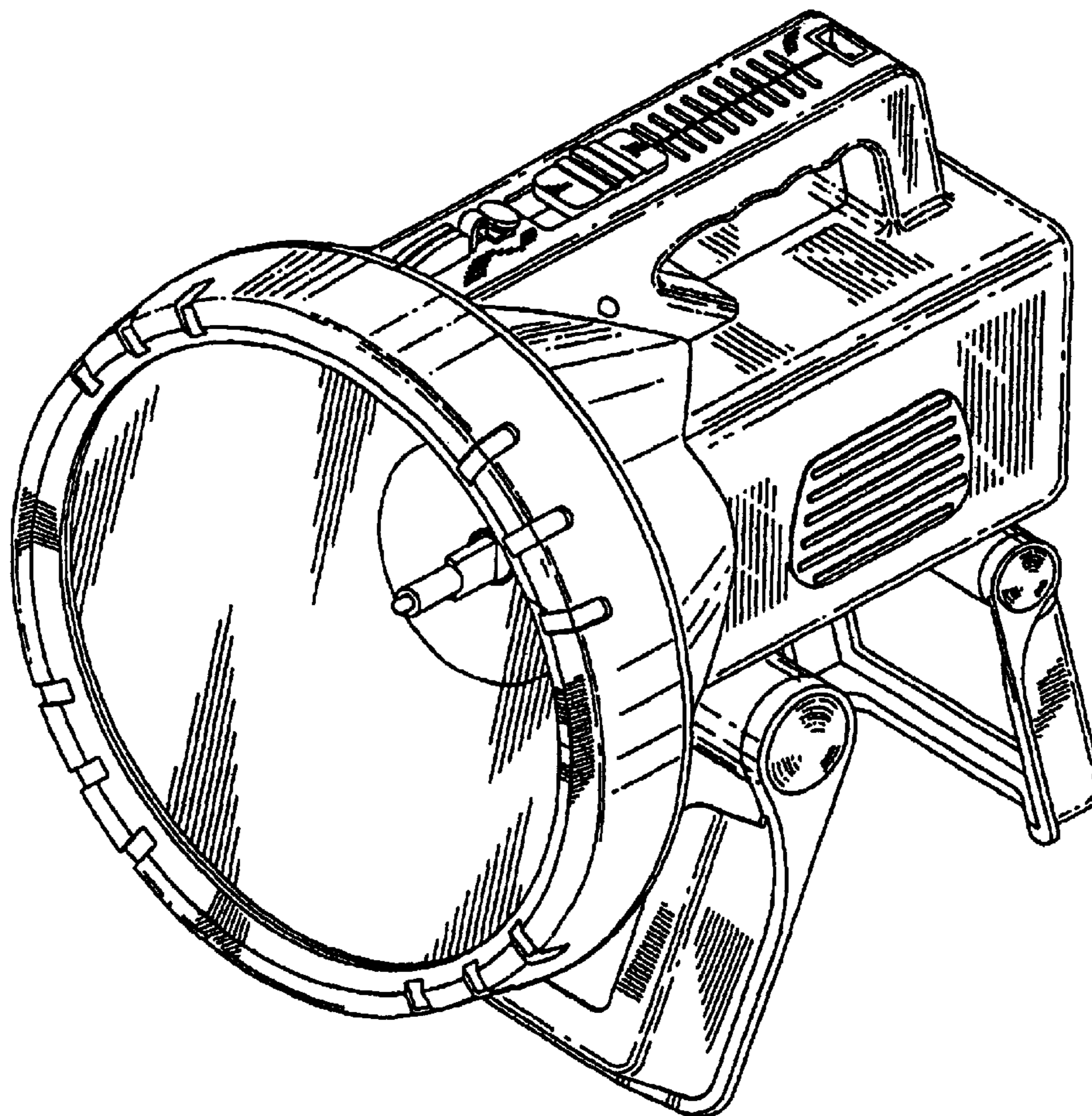
FIG. 5 is a top view of the design shown in FIG. 1;

FIG. 6 is a left-side view of the design shown in FIG. 1;

FIG. 7 is a perspective view from the front-right-top side of the spot light with the two stands expanded at a large angle; and,

FIG. 8 is a perspective view from the front-right-top side of the spot light showing an erecting attitude with the two stands expanded at a small angle.

1 Claim, 8 Drawing Sheets



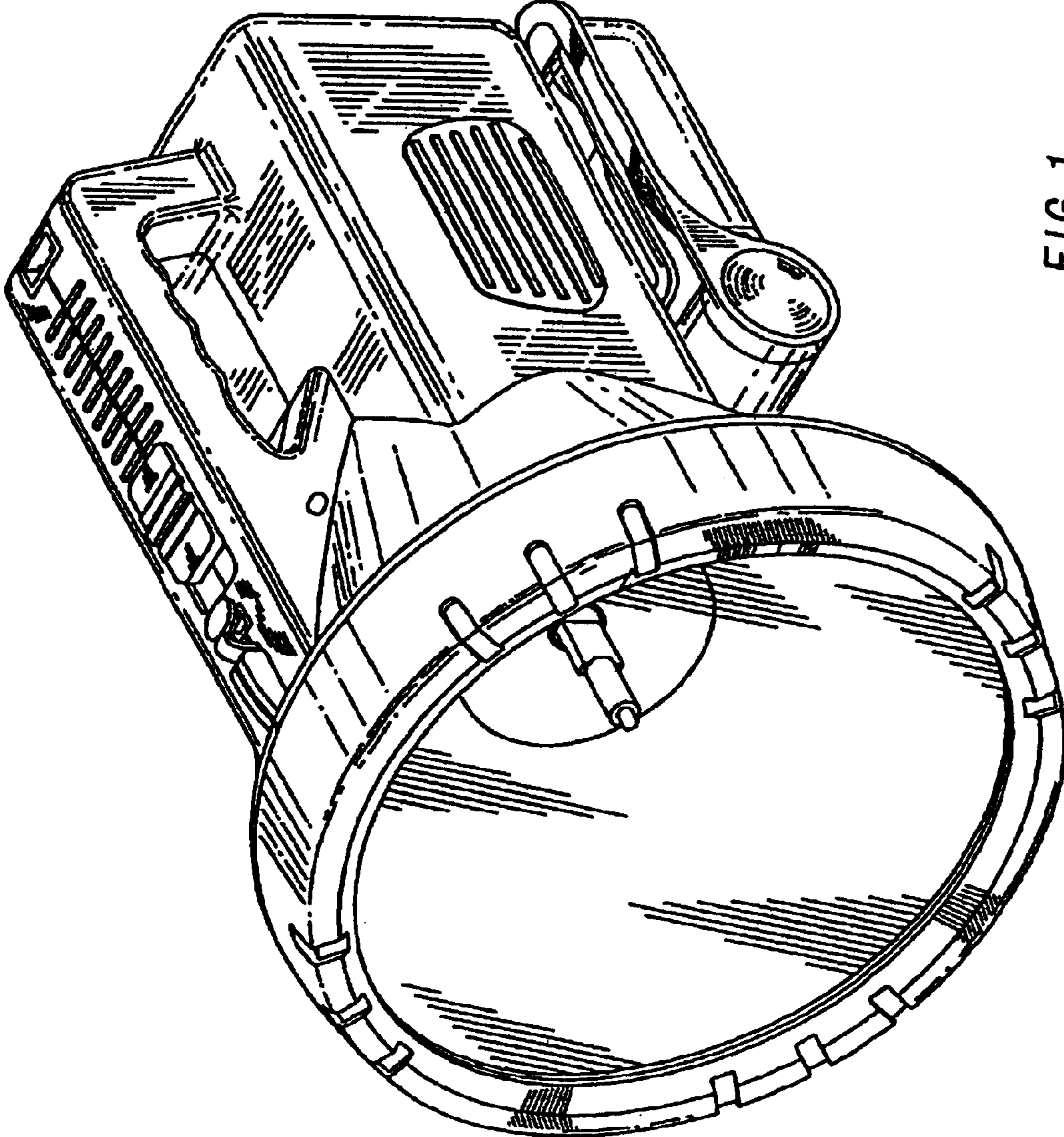


FIG. 1

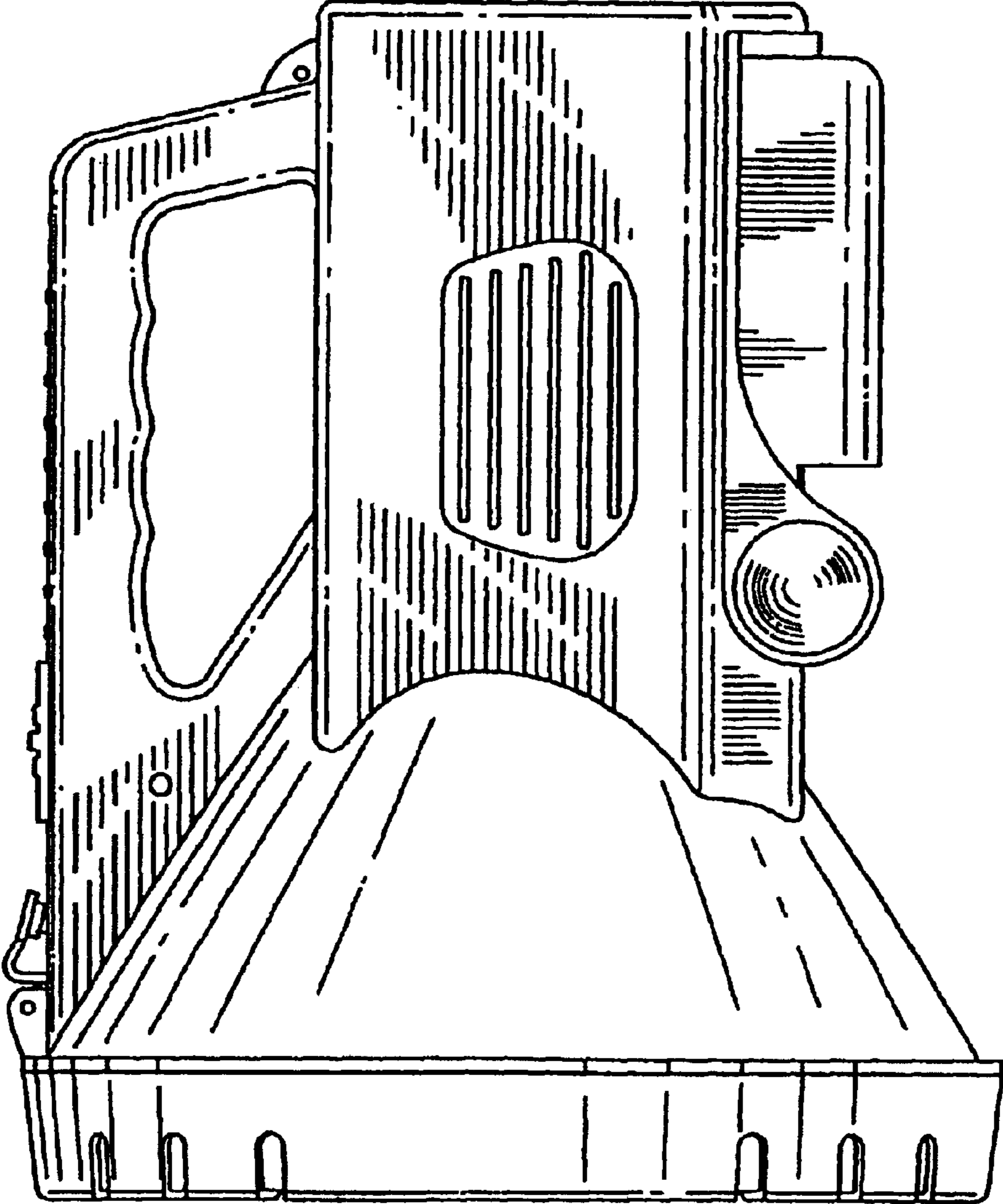


FIG. 2

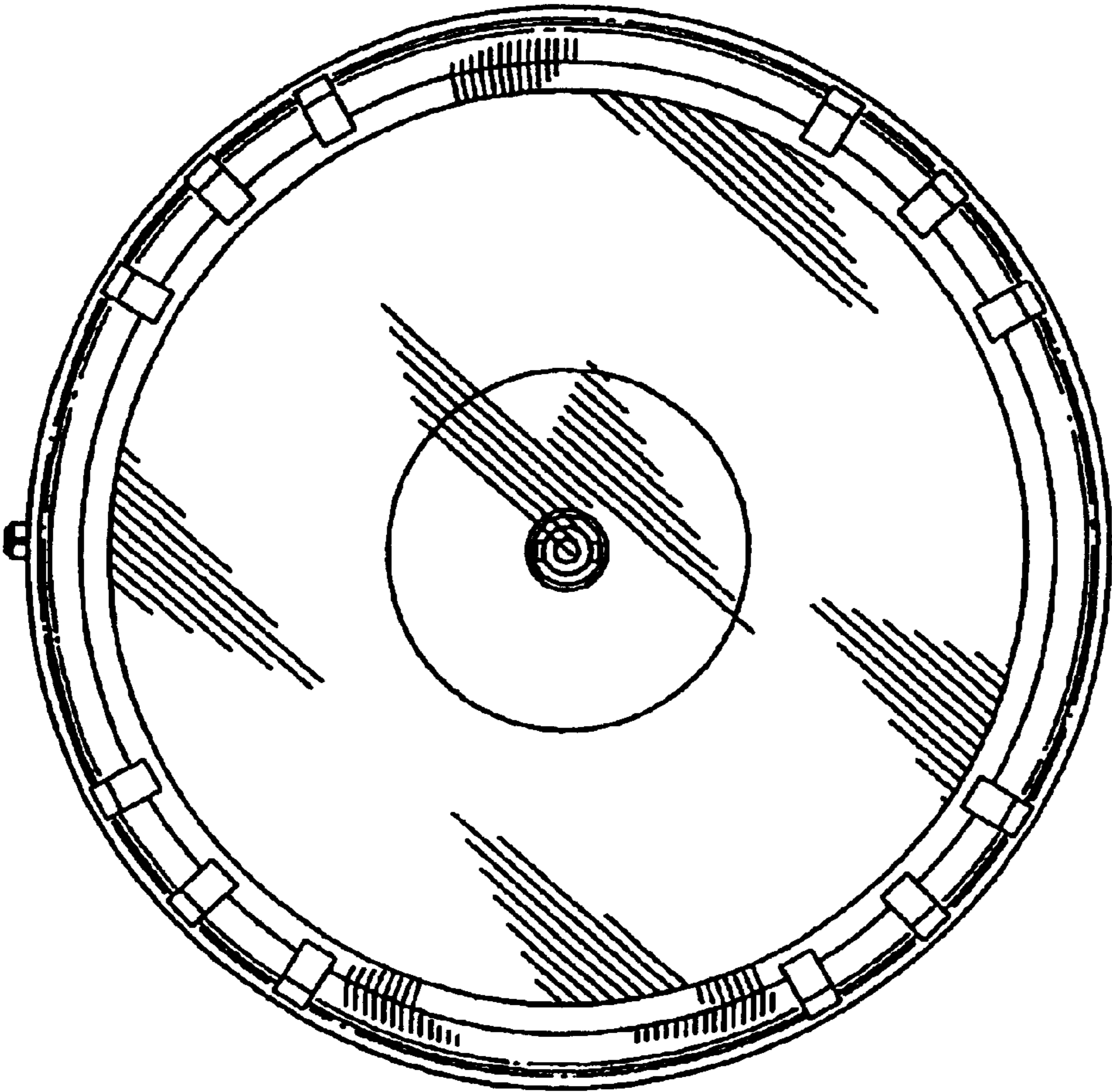


FIG. 3

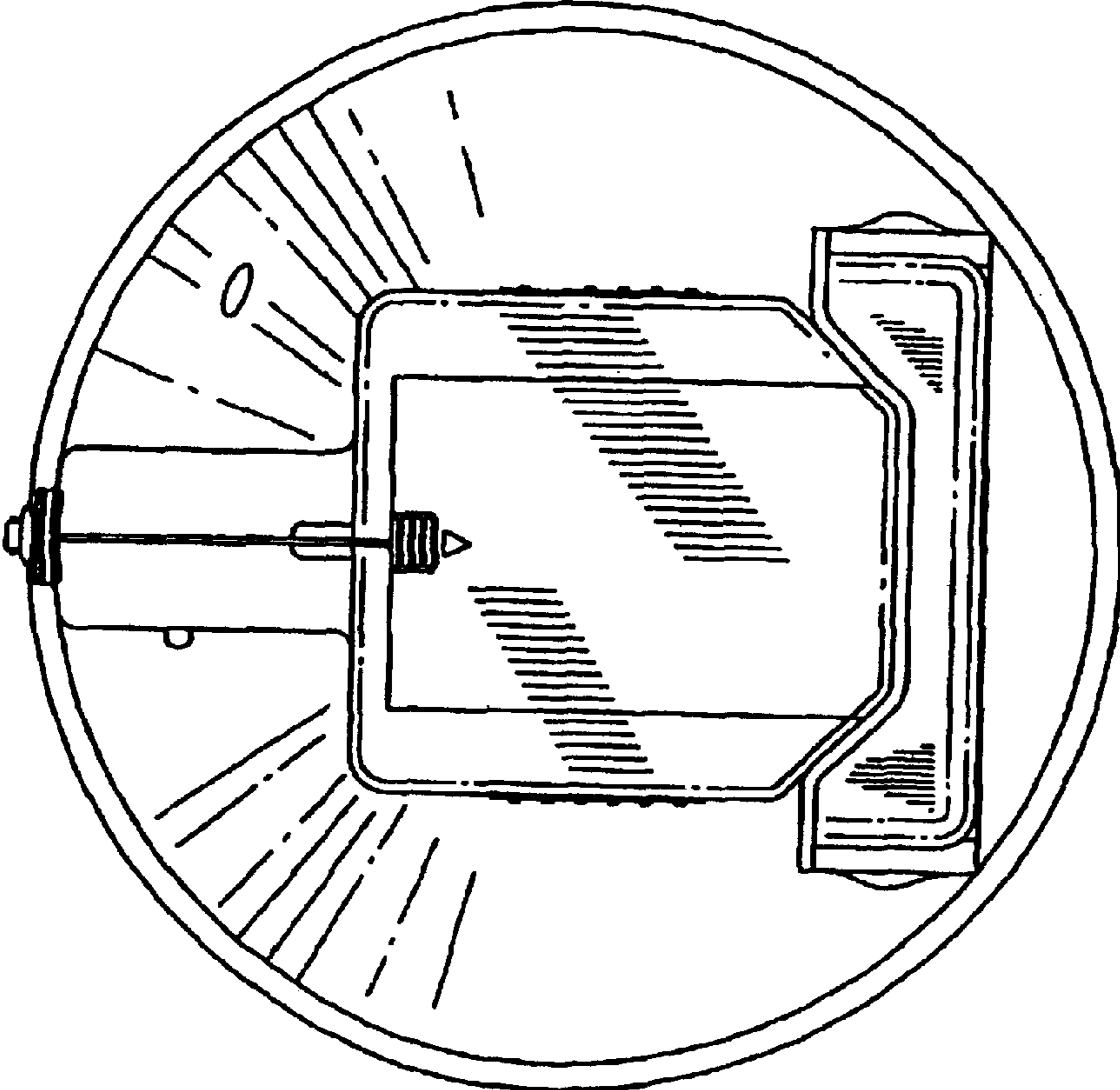


FIG. 4

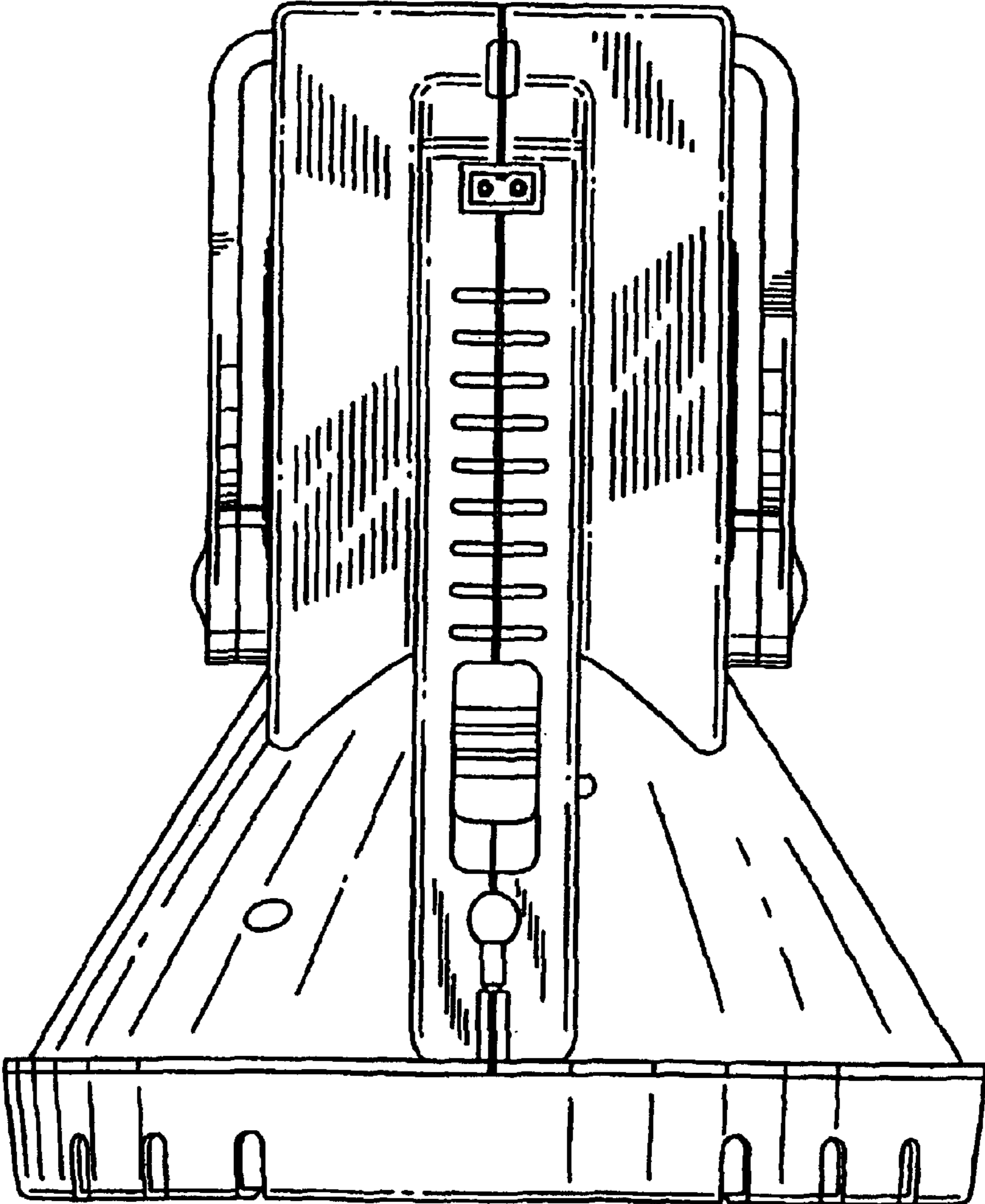


FIG. 5

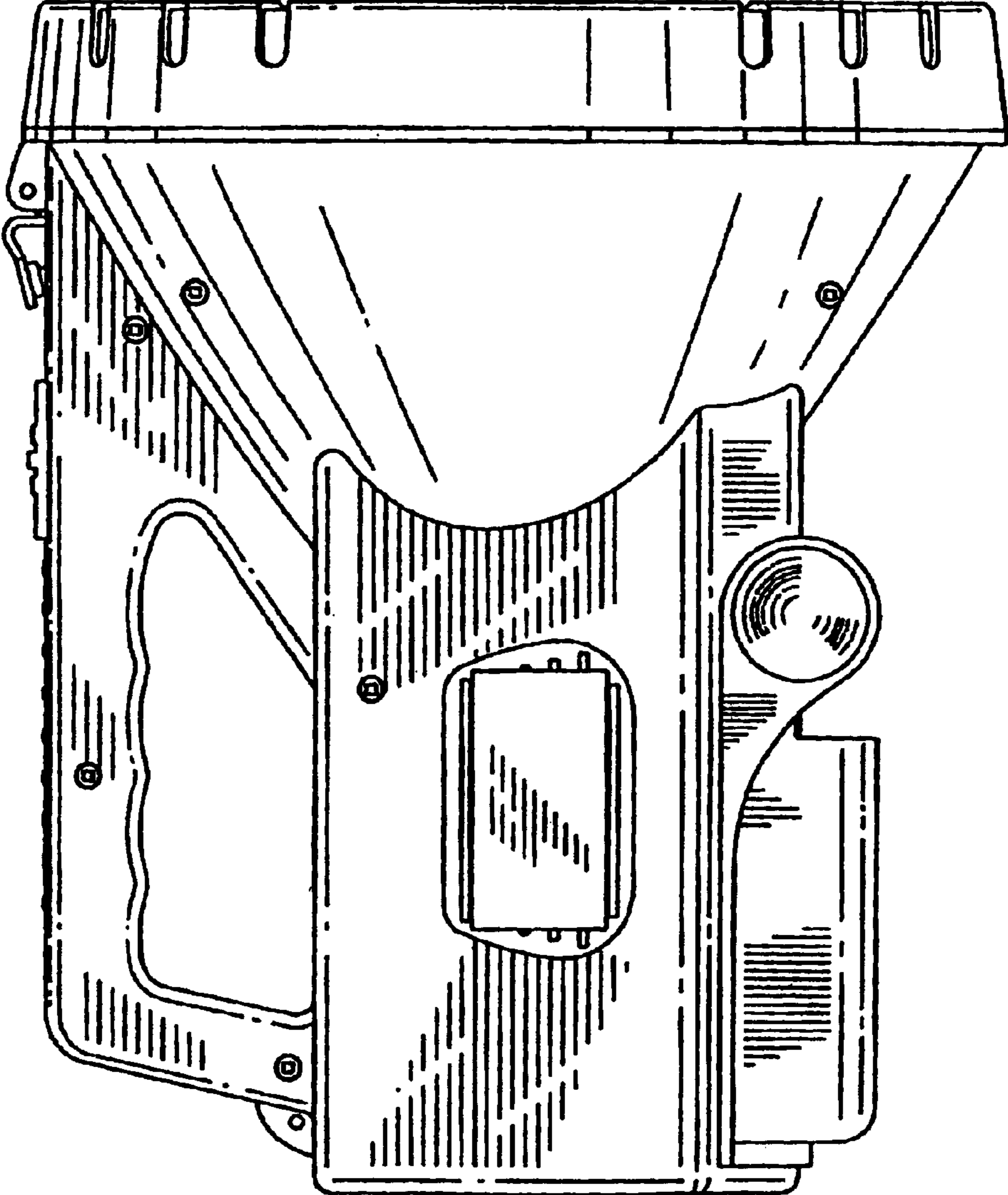


FIG. 6

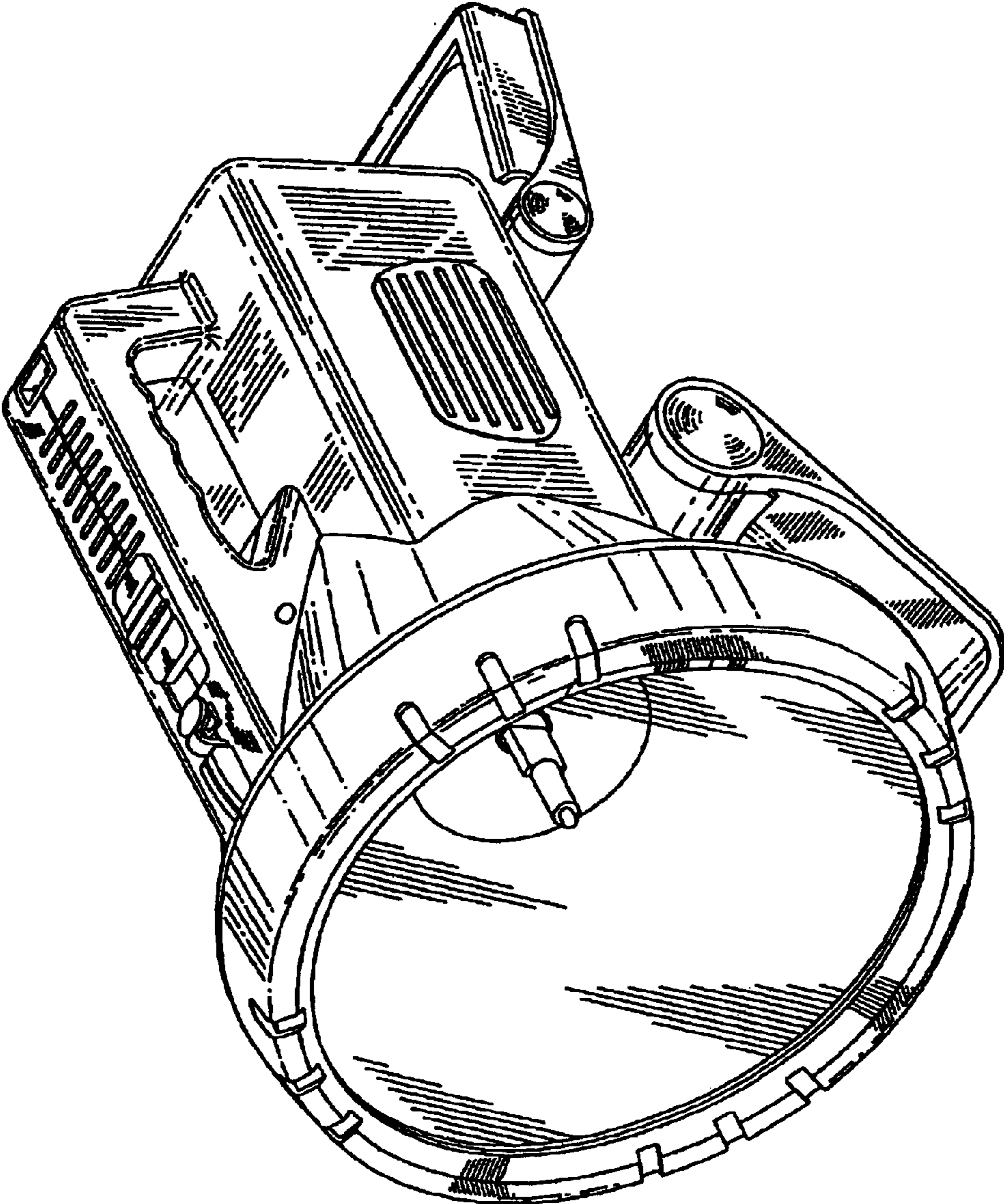


FIG. 7

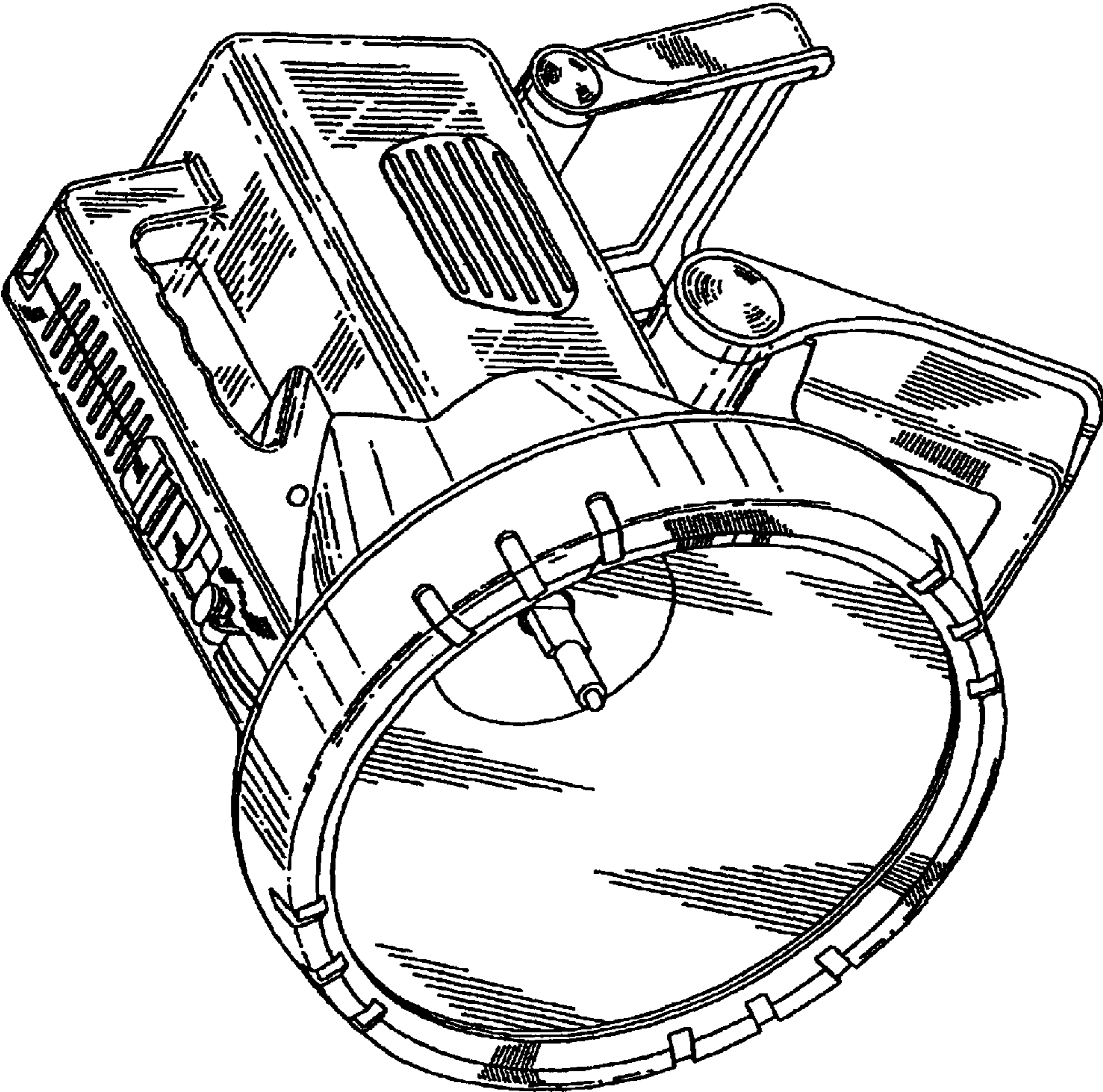


FIG. 8