

US00D514721S

(12) **United States Design Patent** (10) **Patent No.:** **US D514,721 S**
Osiecki et al. (45) **Date of Patent:** **** Feb. 7, 2006**

(54) **FLASHLIGHT**

(75) Inventors: **Scott Osiecki**, Skaneateles, NY (US);
Ronald Kingston, Syracuse, NY (US)

(73) Assignee: **Eveready Battery Company, Inc.**, St. Louis, MO (US)

(**) Term: **14 Years**

(21) Appl. No.: **29/215,629**

(22) Filed: **Oct. 21, 2004**

(51) **LOC (8) Cl.** **26-02**

(52) **U.S. Cl.** **D26/44**

(58) **Field of Classification Search** D26/37-50;
362/157, 158, 171-174, 183-208
See application file for complete search history.

(56) **References Cited**

U.S. PATENT DOCUMENTS

D404,839 S	*	1/1999	Petterson et al.	D26/44
D444,582 S	*	7/2001	Poon	D26/44
D467,375 S	*	12/2002	Lynch et al.	D26/44
D469,200 S	*	1/2003	Jong	D26/44
D487,810 S	*	3/2004	Kingston et al.	D26/44

* cited by examiner

Primary Examiner—Marcus A. Jackson

(74) *Attorney, Agent, or Firm*—Stewart A. Fraser

(57) **CLAIM**

We claim the ornamental design for a flashlight, as shown and described.

DESCRIPTION

FIG. 1 is a right front view of the flashlight of the present invention;

FIG. 2 is a left front view of the flashlight of the present invention;

FIG. 3 is a right bottom view of the flashlight of the present invention;

FIG. 4 is a left side view of the flashlight of the present invention;

FIG. 5 is a right side view of the flashlight of the present invention;

FIG. 6 is a right side view (up) of the flashlight of the present invention;

FIG. 7 is a right side view (down) of the flashlight of the present invention;

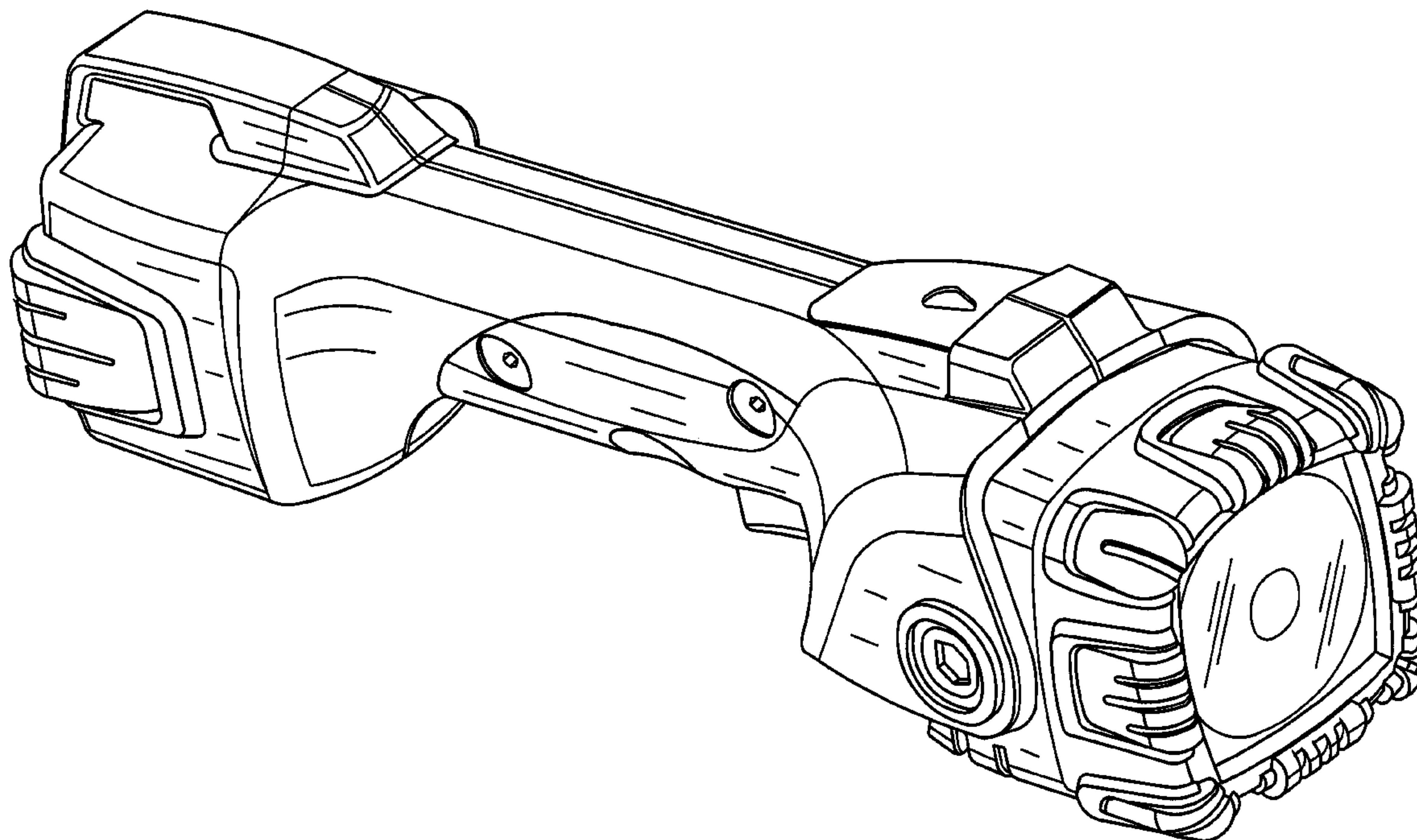
FIG. 8 is a bottom view of the flashlight of the present invention;

FIG. 9 is a top view of the flashlight of the present invention;

FIG. 10 is a front view of the flashlight of the present invention; and,

FIG. 11 is a rear view of the flashlight of the present invention.

1 Claim, 10 Drawing Sheets



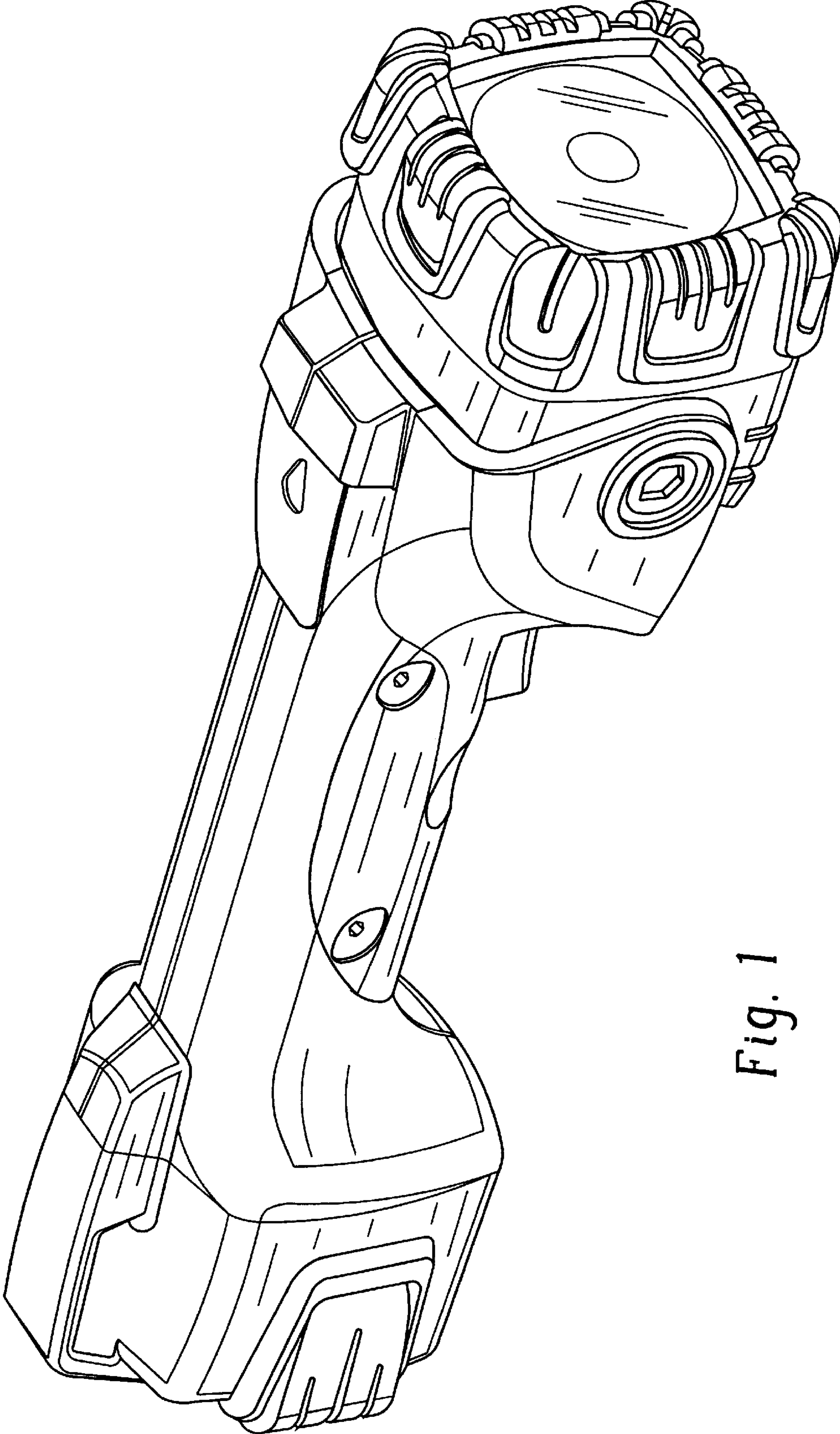


Fig. 1

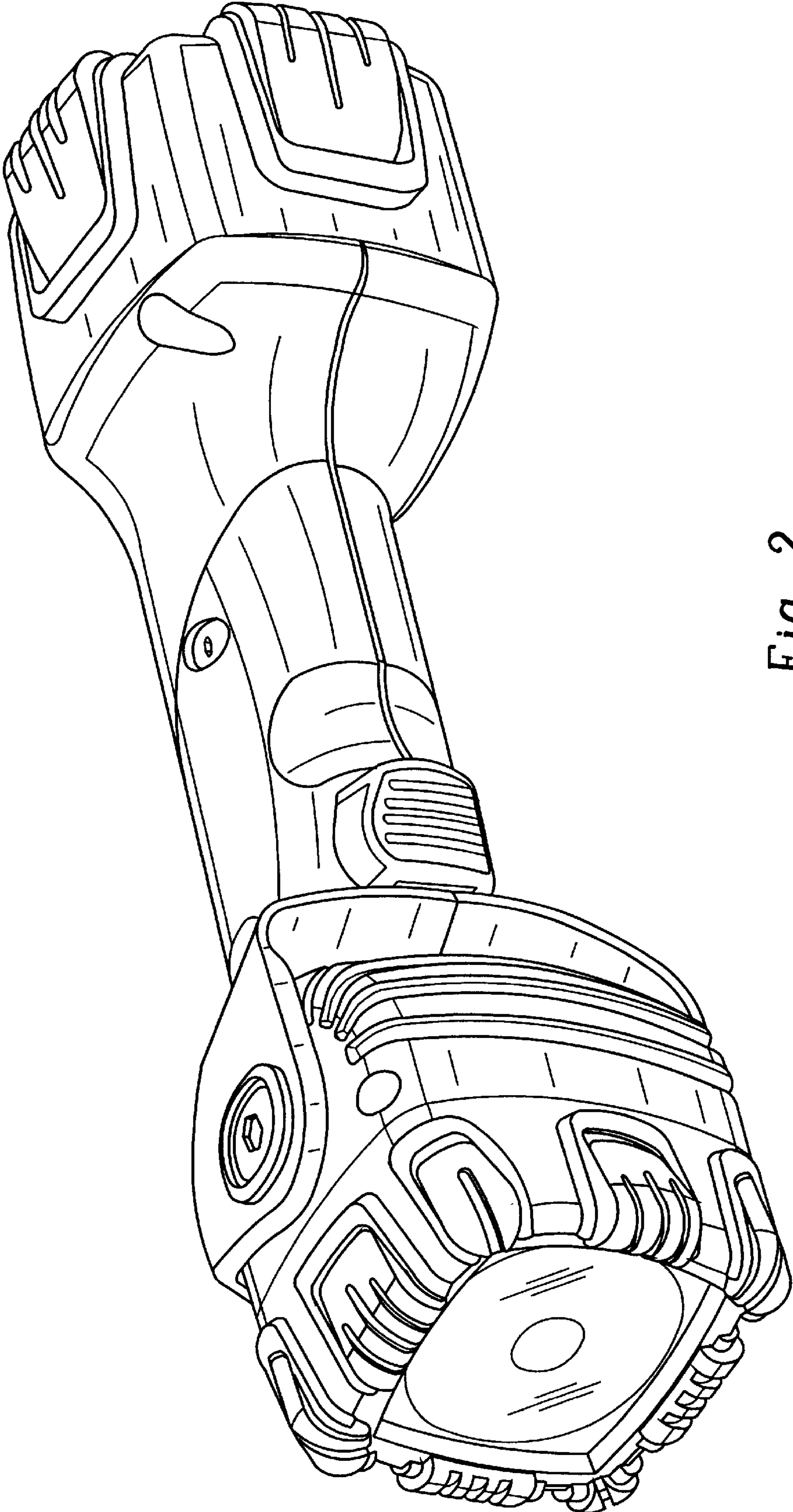


Fig. 2

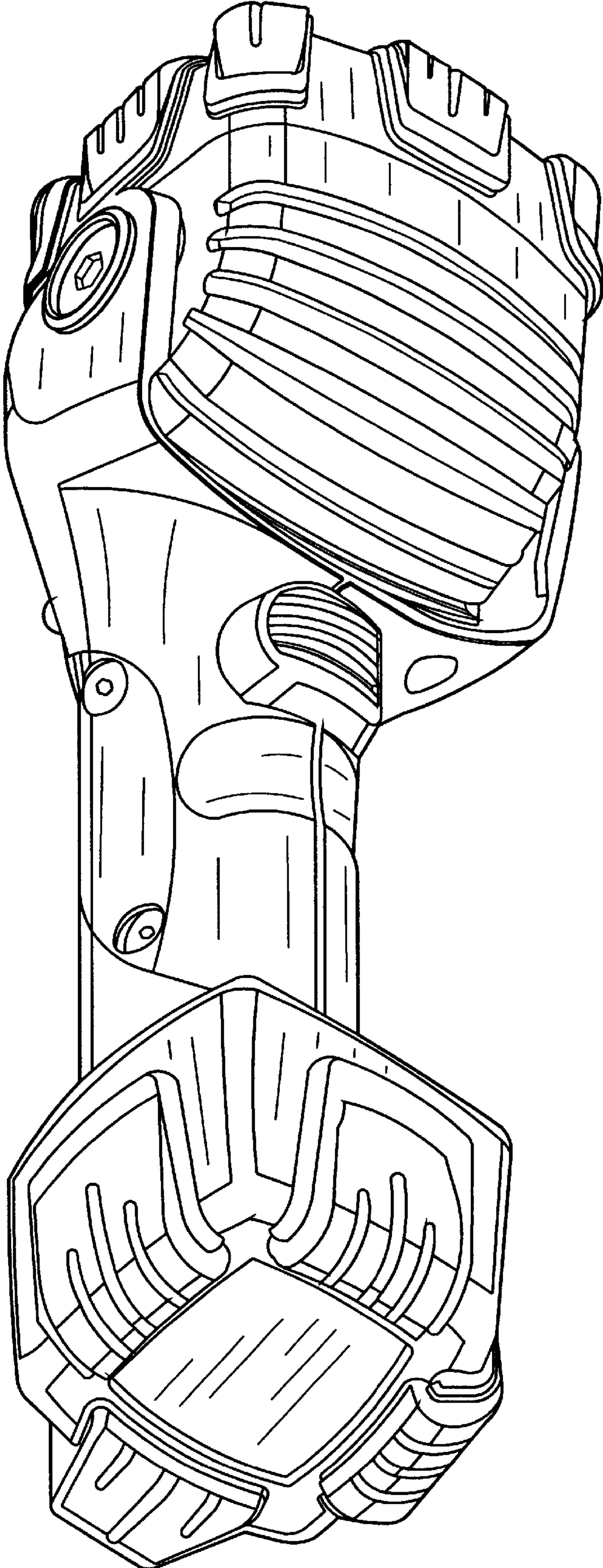


Fig. 3

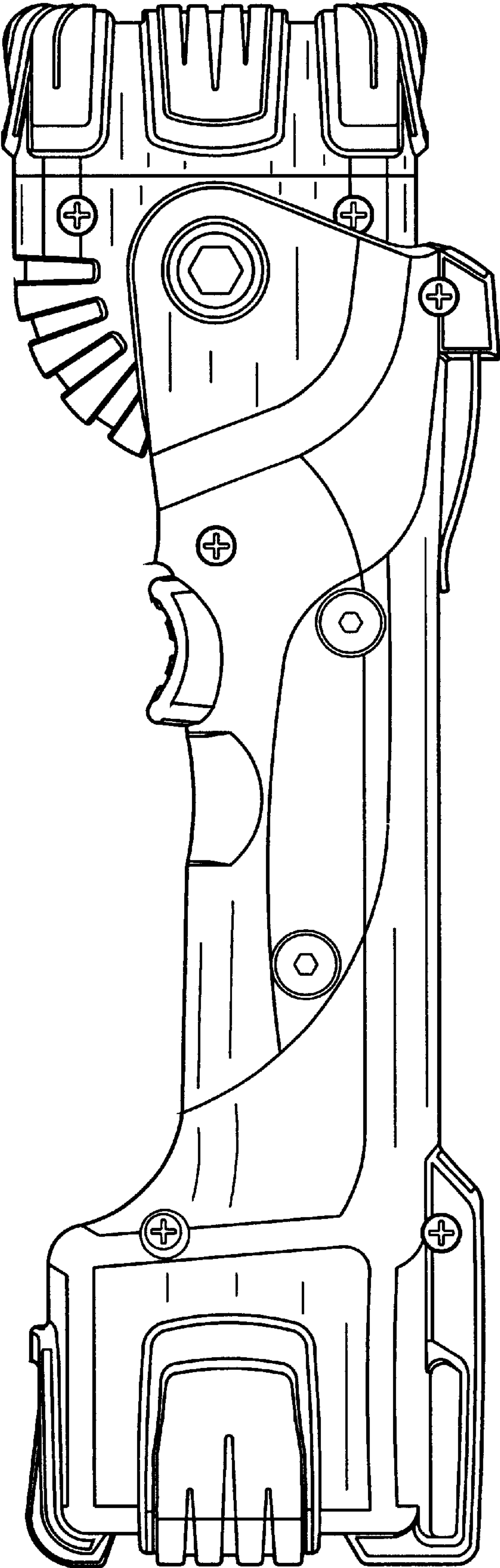


Fig. 4

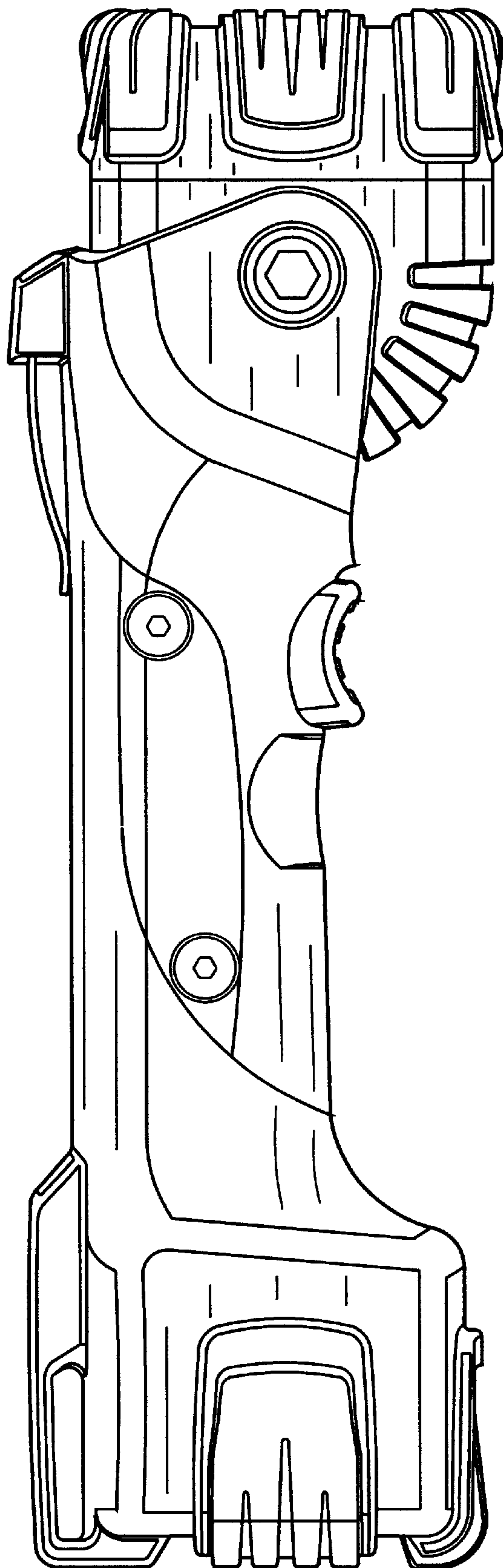


Fig. 5

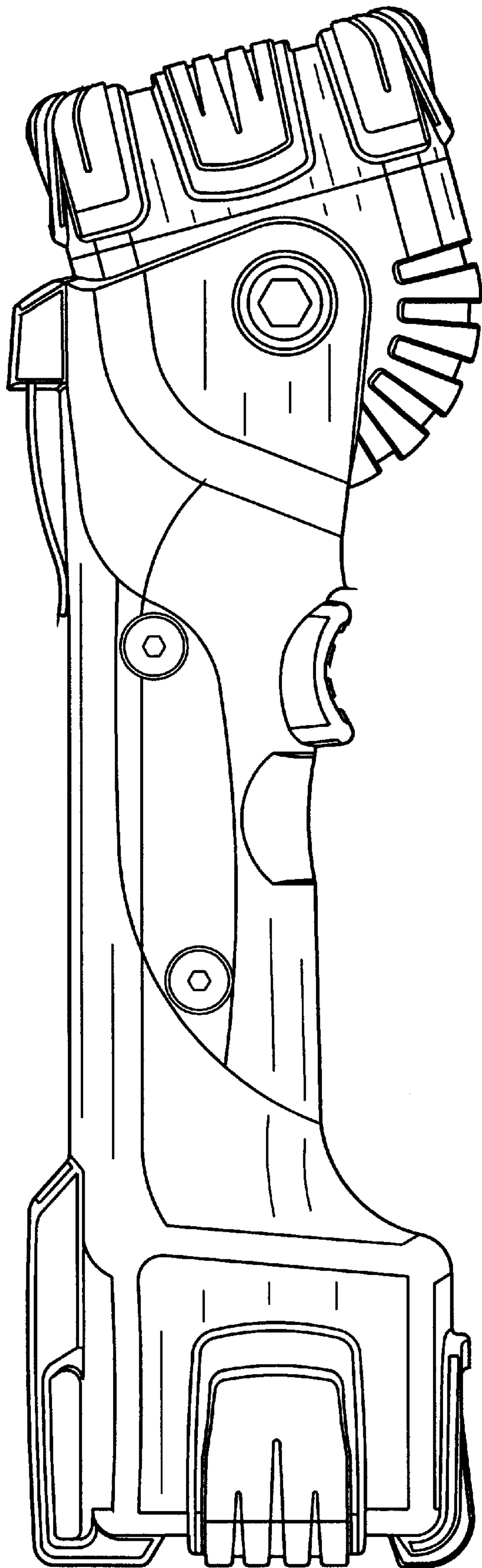


Fig. 6

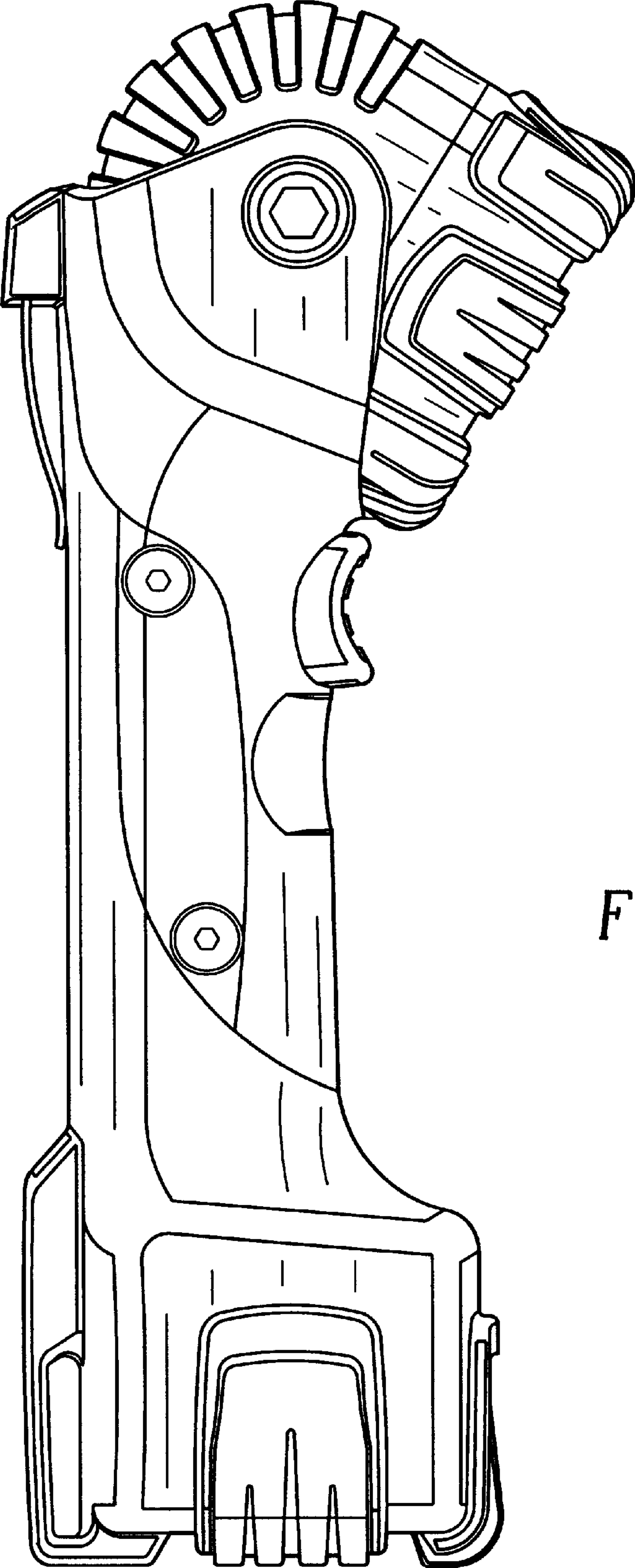


Fig. 7

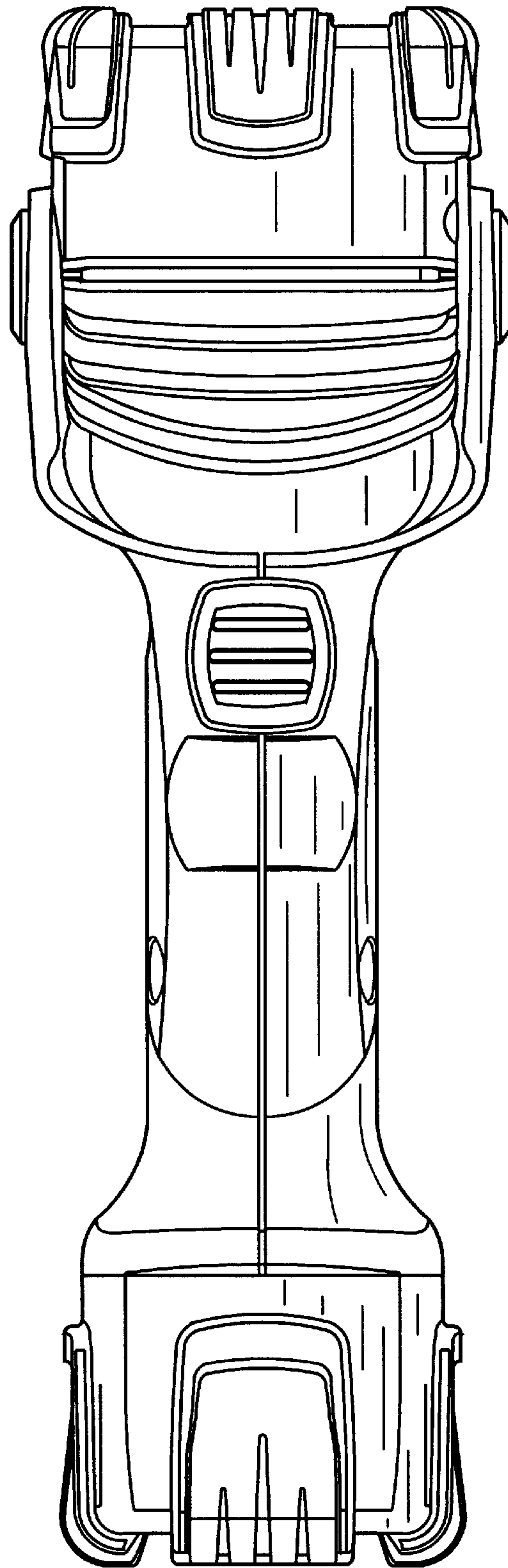


Fig. 8

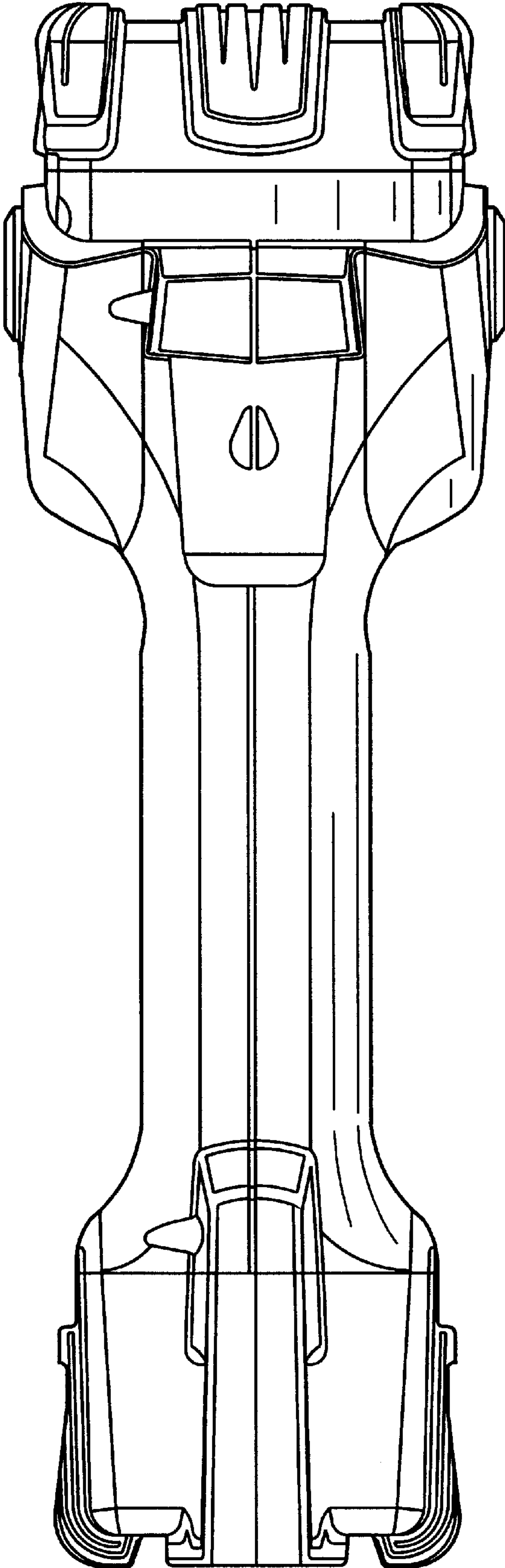


Fig. 9

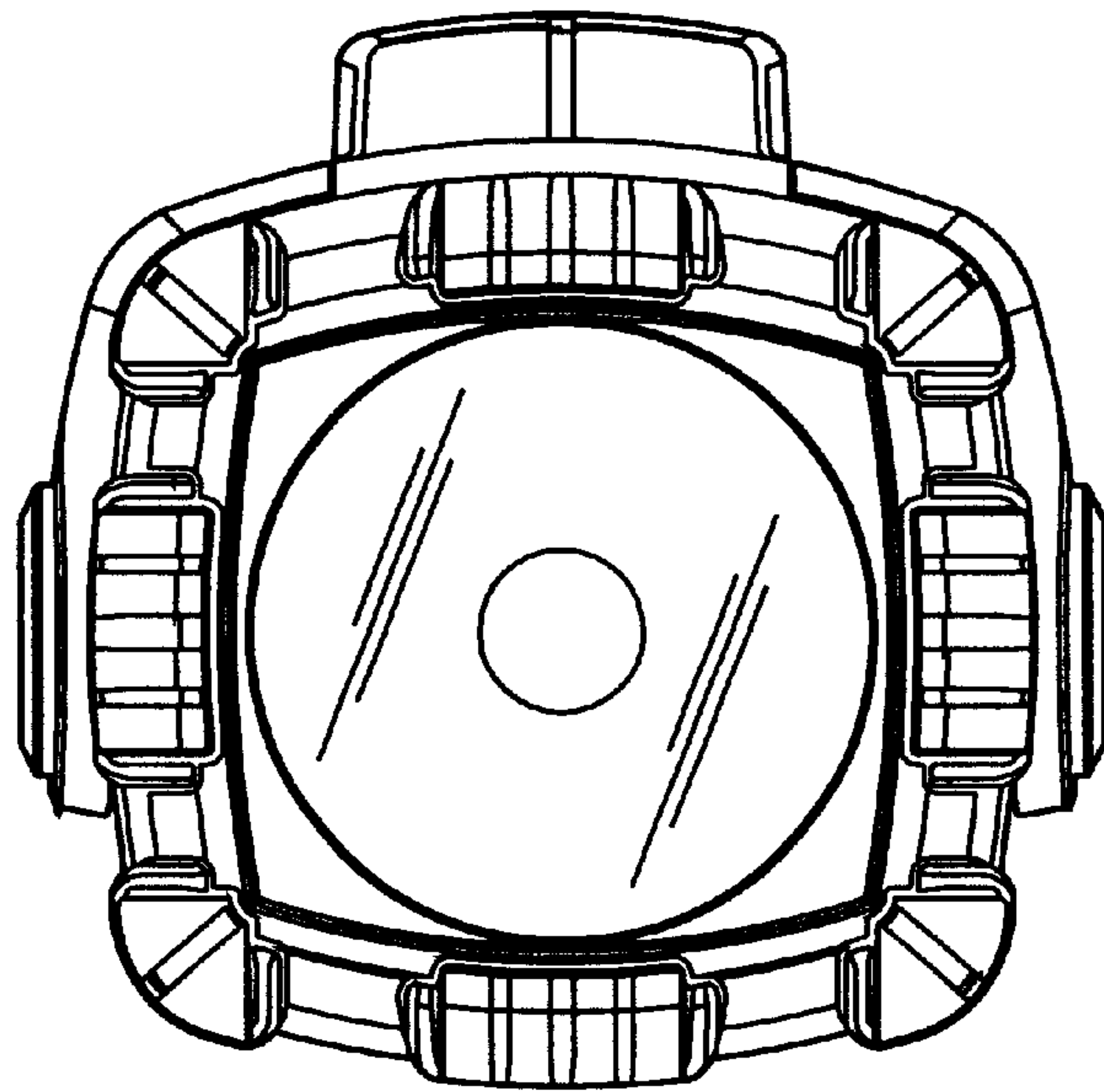


Fig. 10

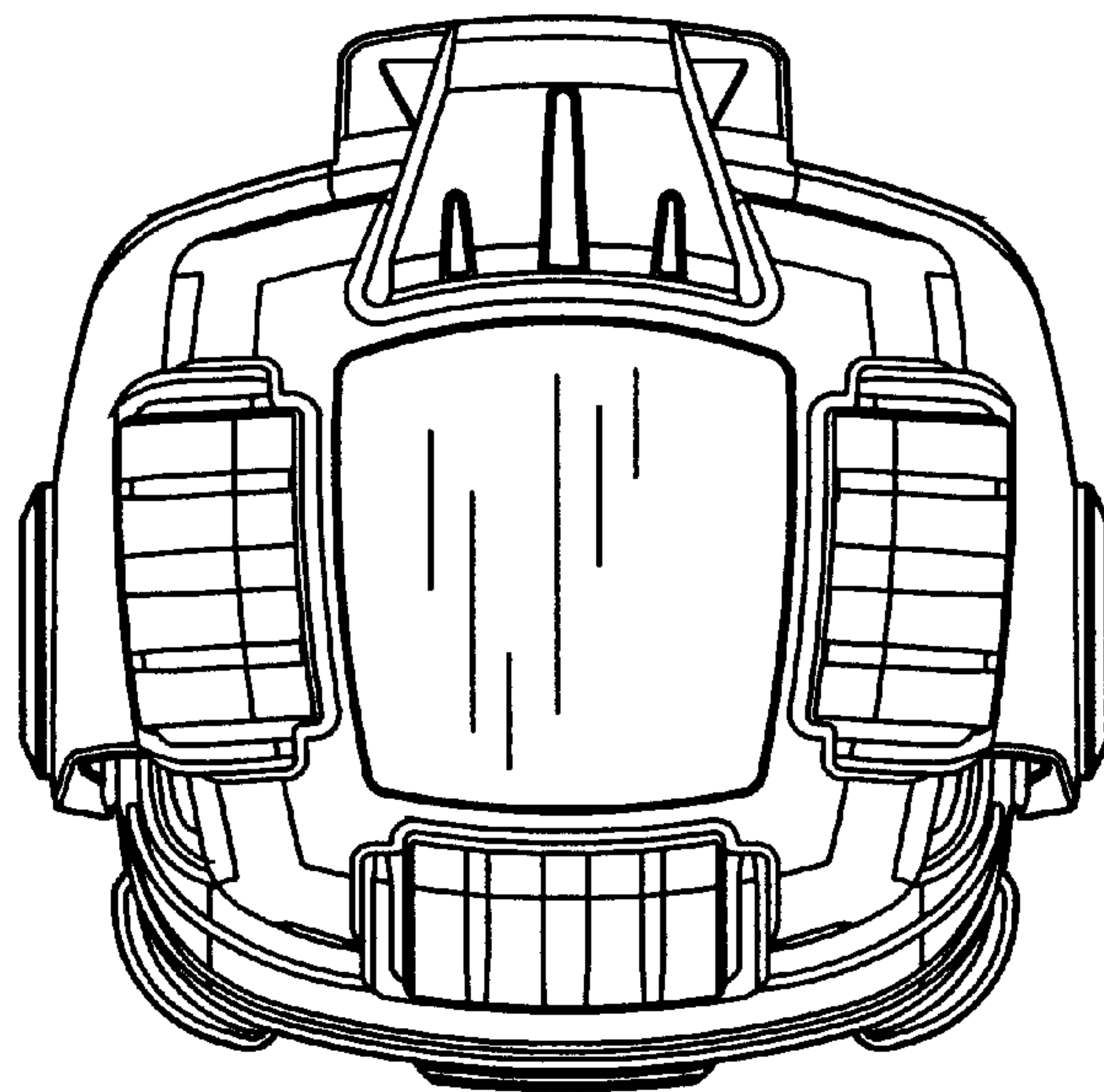


Fig. 11