



US00D514719S

(12) **United States Design Patent**
Krieger et al.

(10) **Patent No.:** **US D514,719 S**
(45) **Date of Patent:** **** Feb. 7, 2006**

(54) **SPOTLIGHT**

(75) Inventors: **Michael Krieger**, Miami Beach, FL (US); **Kevin Ellsworth**, Hollywood, FL (US)

(73) Assignee: **Vector Products, Inc.**, Ft. Lauderdale, FL (US)

(**) Term: **14 Years**

(21) Appl. No.: **29/202,307**

(22) Filed: **Mar. 30, 2004**

(51) **LOC (8) Cl.** **26-02**

(52) **U.S. Cl.** **D26/40**

(58) **Field of Classification Search** D26/37-50;
362/157, 158, 171-174, 183-208
See application file for complete search history.

(56) **References Cited**

U.S. PATENT DOCUMENTS

D429,832 S	*	8/2000	Poon	D26/40
D479,890 S	*	9/2003	Jacobs	D26/40
D500,378 S	*	12/2004	Kung	D26/40

* cited by examiner

Primary Examiner—Marcus A. Jackson

(74) *Attorney, Agent, or Firm*—Venable LLP; Robert Kinberg; Manni Li

(57) **CLAIM**

The ornamental design for a spotlight, as shown and described.

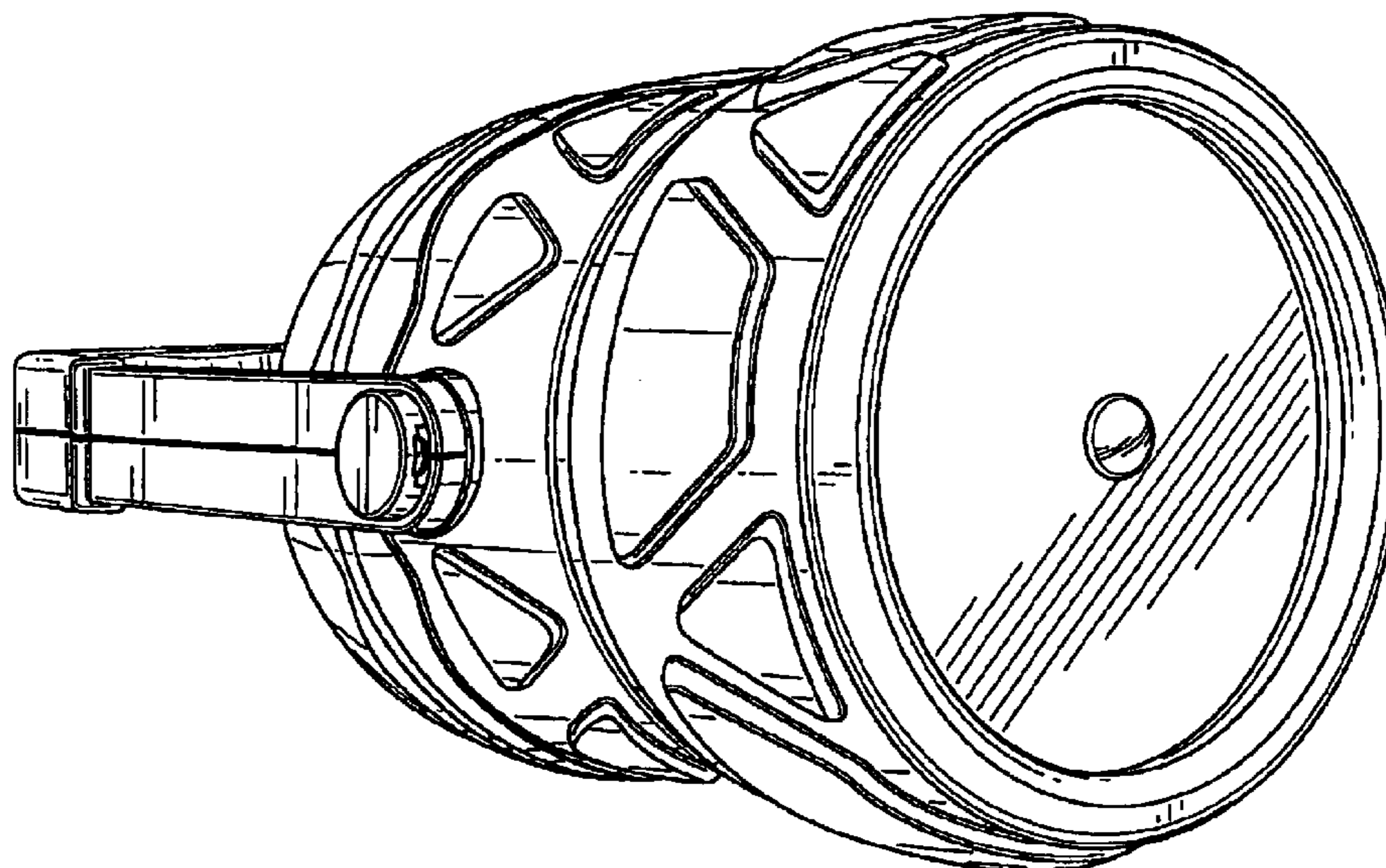
DESCRIPTION

FIG. 1 is a perspective view from the front-left side of the spotlight showing a first embodiment of our new design;

FIG. 2 is a front view of the design shown in FIG. 1;
 FIG. 3 is a rear view of the design shown in FIG. 1;
 FIG. 4 is a left side view of the design shown in FIG. 1;
 FIG. 5 is a right side view of the design shown in FIG. 1;
 FIG. 6 is a top view of the design shown in FIG. 1;
 FIG. 7 is a bottom view of the design shown in FIG. 1;
 FIG. 8 is a perspective view from the front-left side of the spotlight showing a second embodiment of our new design;
 FIG. 9 is a front view of the design shown in FIG. 8;
 FIG. 10 is a rear view of the design shown in FIG. 8;
 FIG. 11 is a left side view of the design shown in FIG. 8;
 FIG. 12 is a right side view of the design shown in FIG. 8;
 FIG. 13 is a top view of the design shown in FIG. 8;
 FIG. 14 is a bottom view of the design shown in FIG. 8;
 FIG. 15 is a perspective view from the front-left side of the spotlight showing a third embodiment of our new design;
 FIG. 16 is a front view of the design shown in FIG. 15;
 FIG. 17 is a rear view of the design shown in FIG. 15;
 FIG. 18 is a left side view of the design shown in FIG. 15;
 FIG. 19 is a right side view of the design shown in FIG. 15;
 FIG. 20 is a top view of the design shown in FIG. 15; and,
 FIG. 21 is a bottom view of the design shown in FIG. 15.

The broken lines immediately adjacent the shaded areas represent the bounds of the claimed design while all other broken lines are for illustrative purposes only; the broken lines form no part of the claimed design.

1 Claim, 21 Drawing Sheets



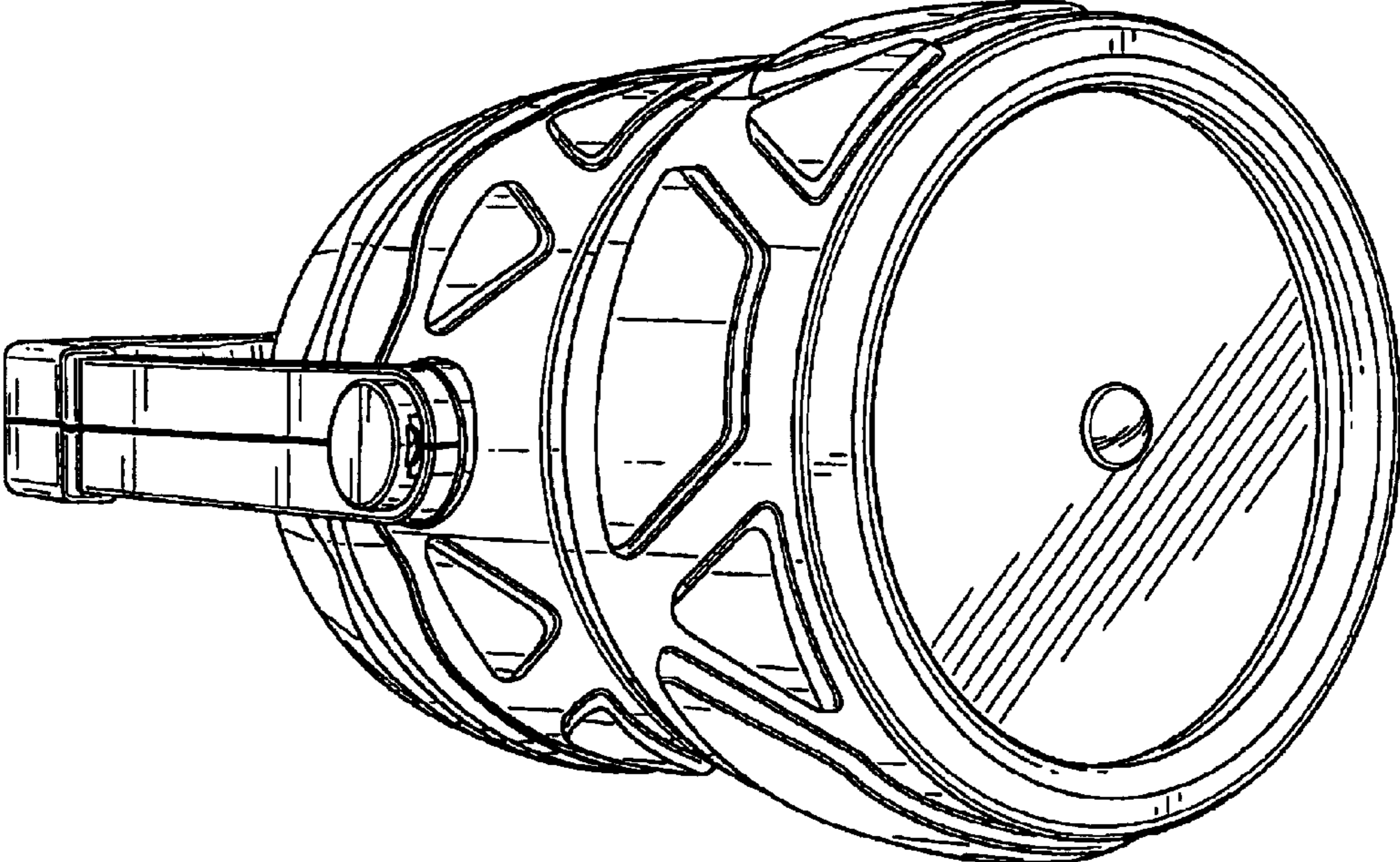


FIG. 1

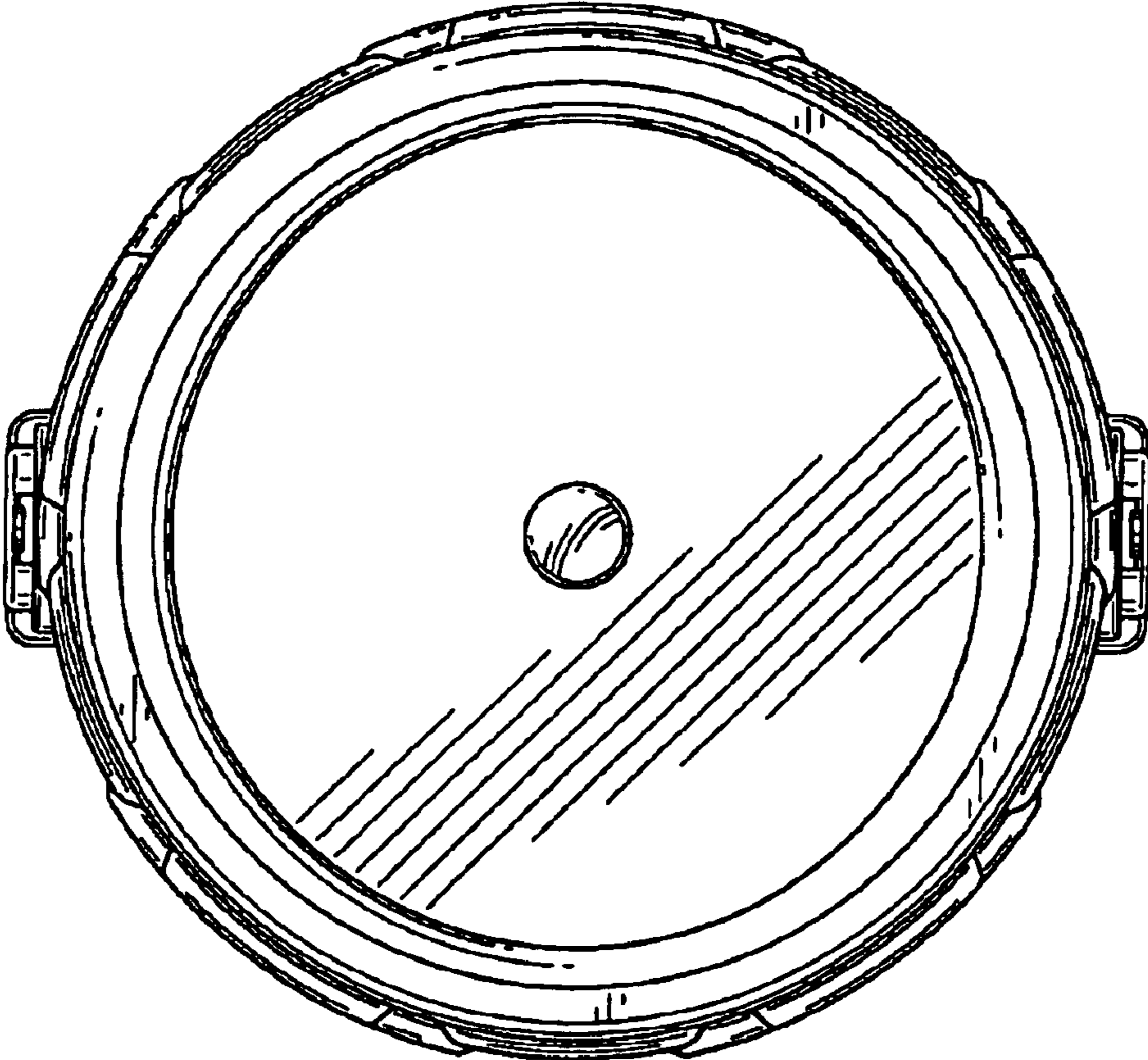


FIG. 2

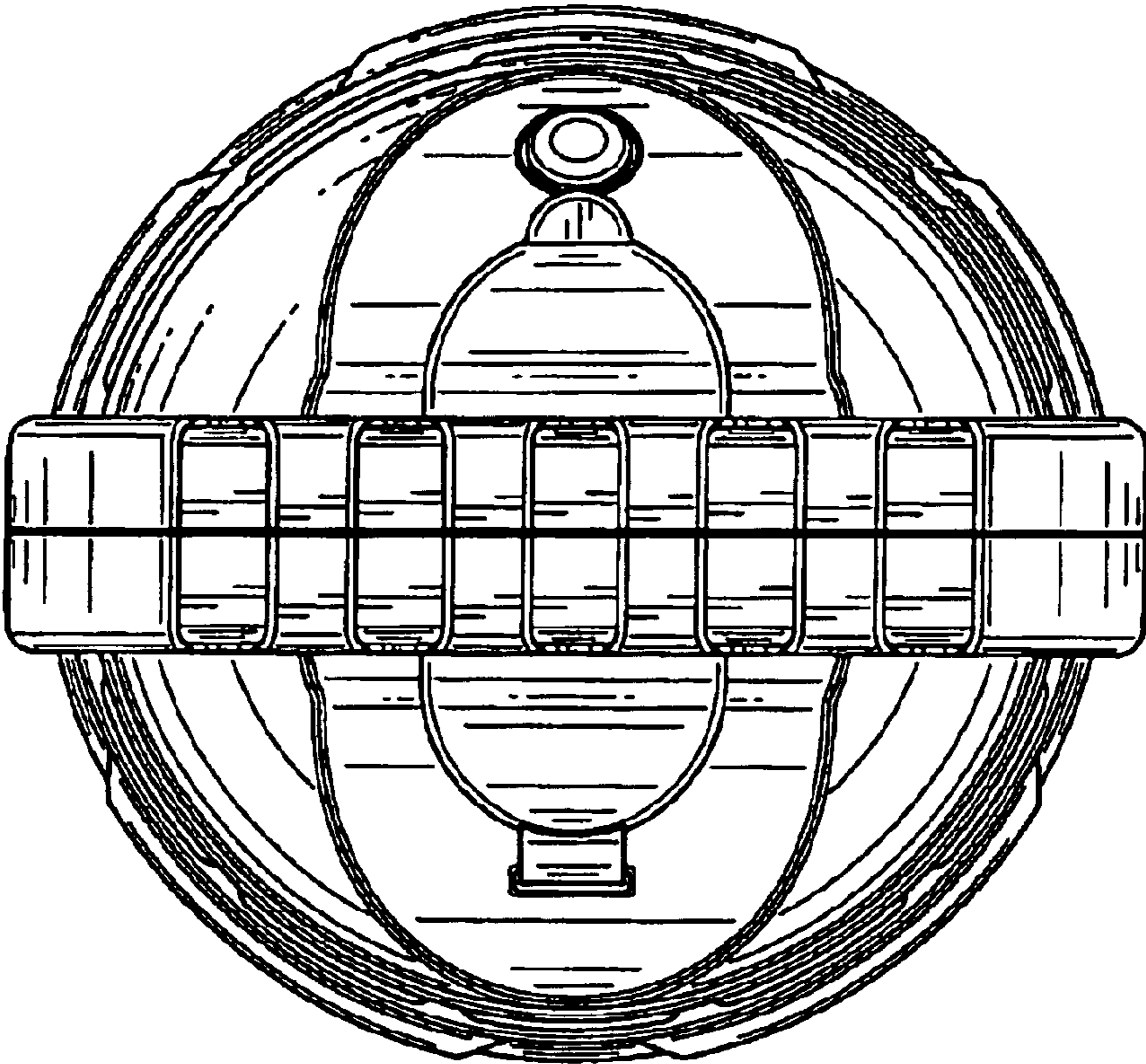


FIG. 3

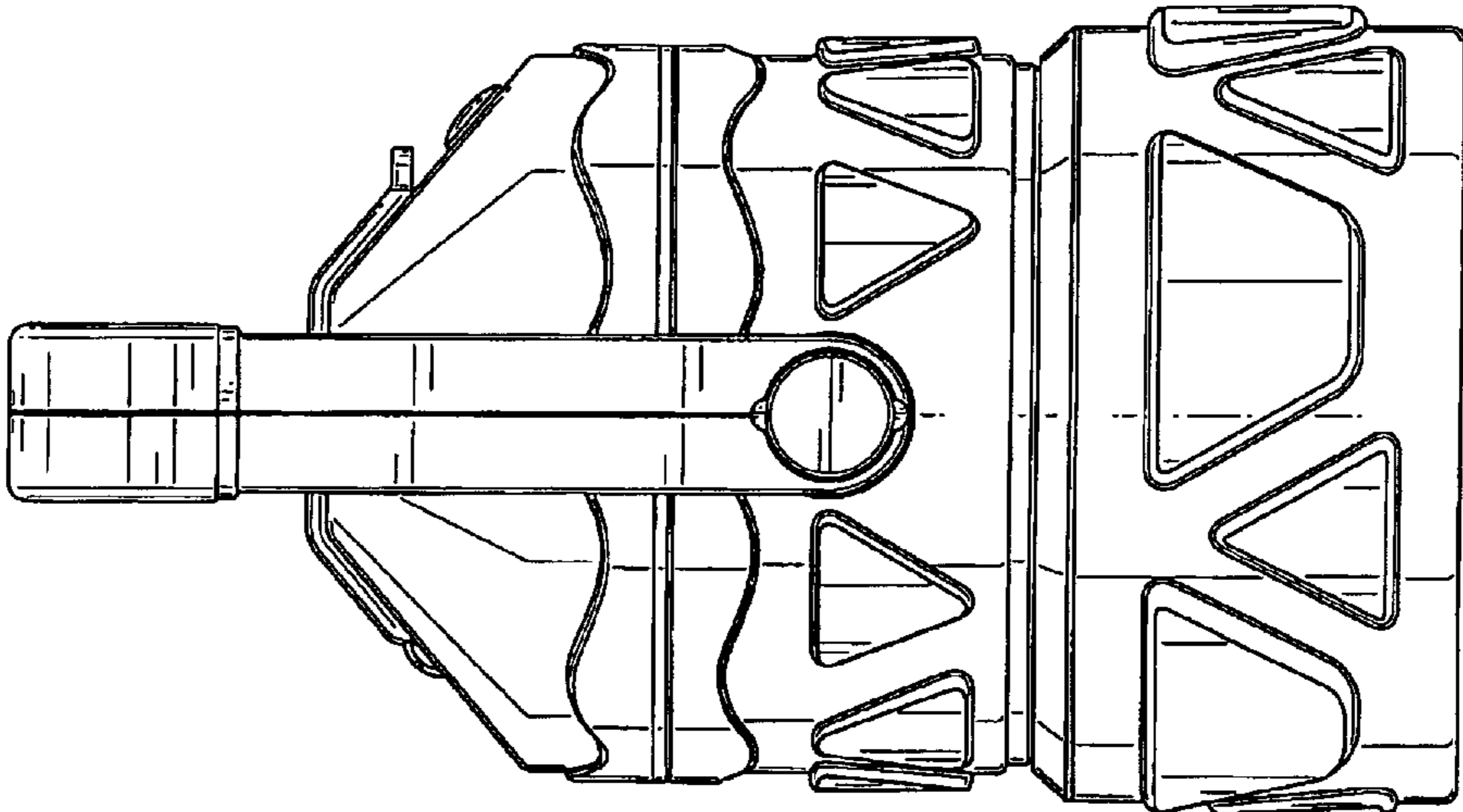


FIG. 4

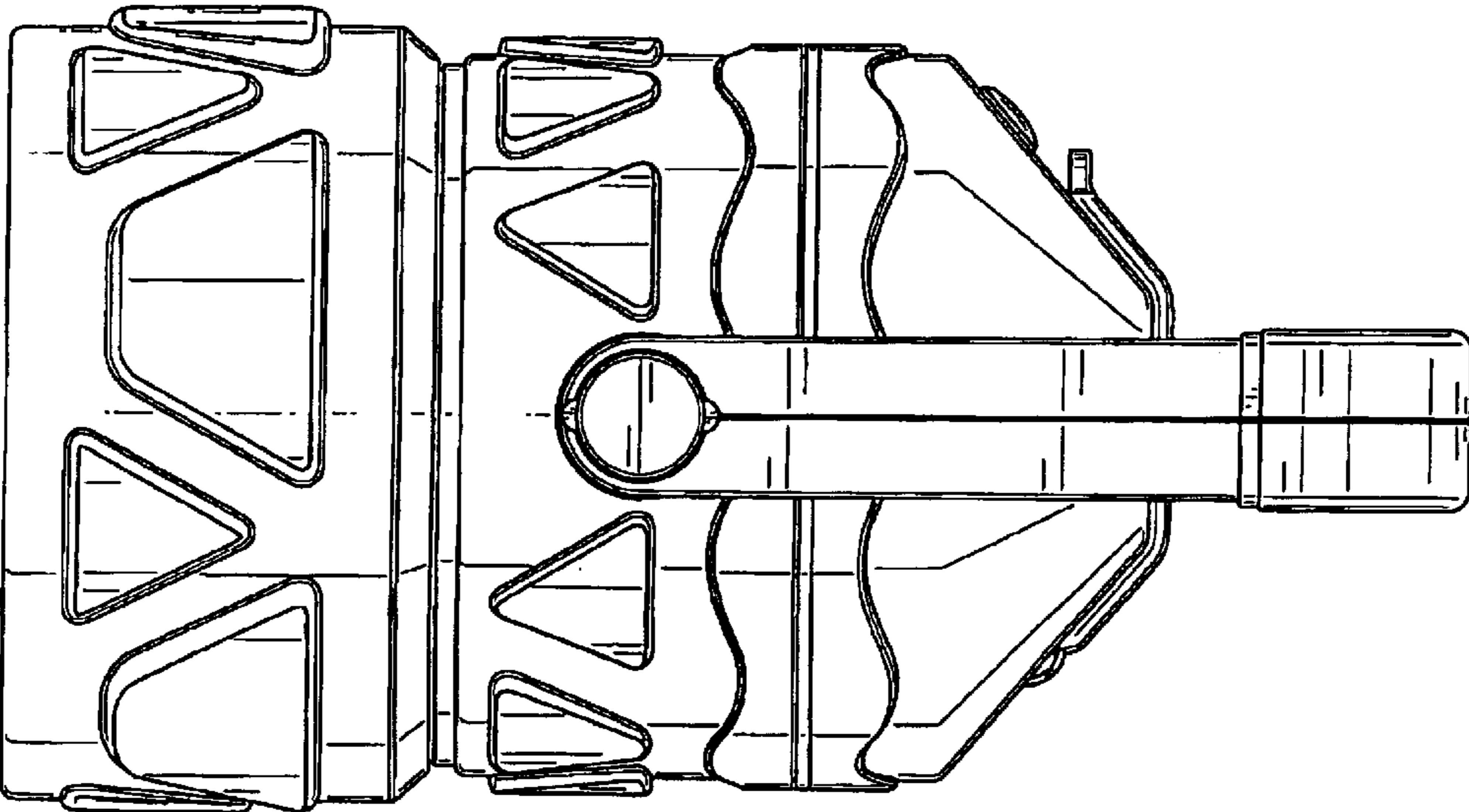


FIG. 5

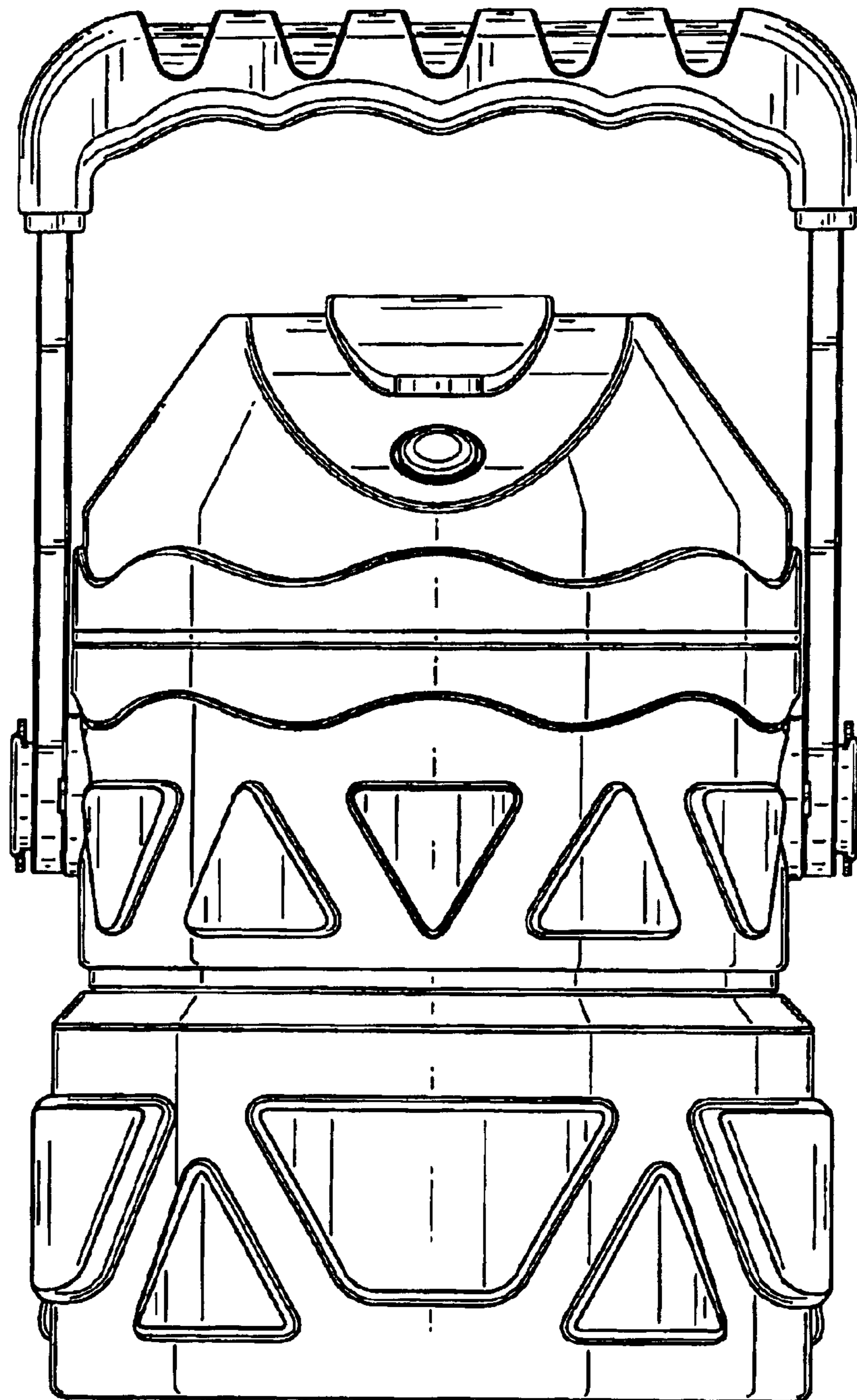


FIG. 6

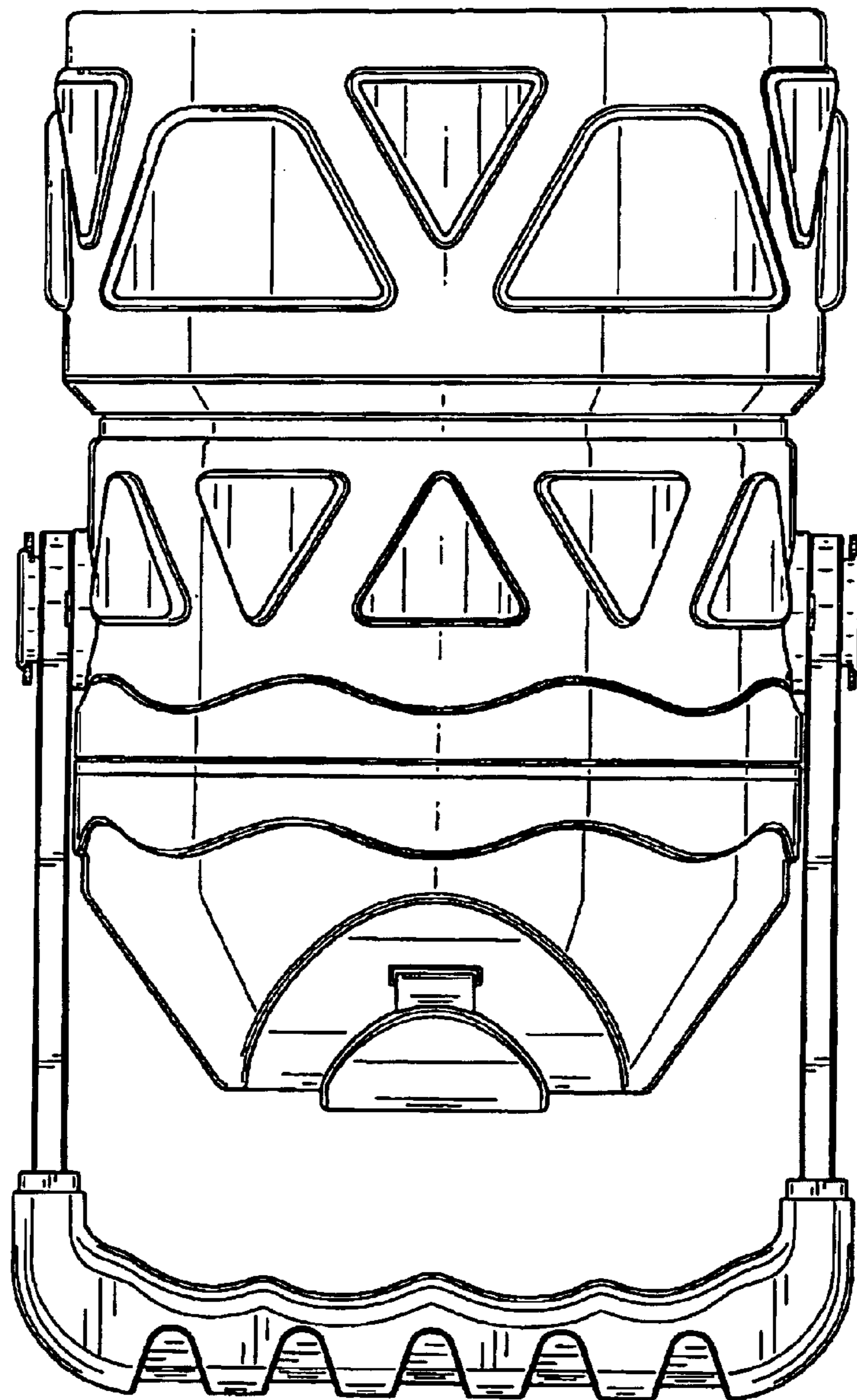


FIG. 7

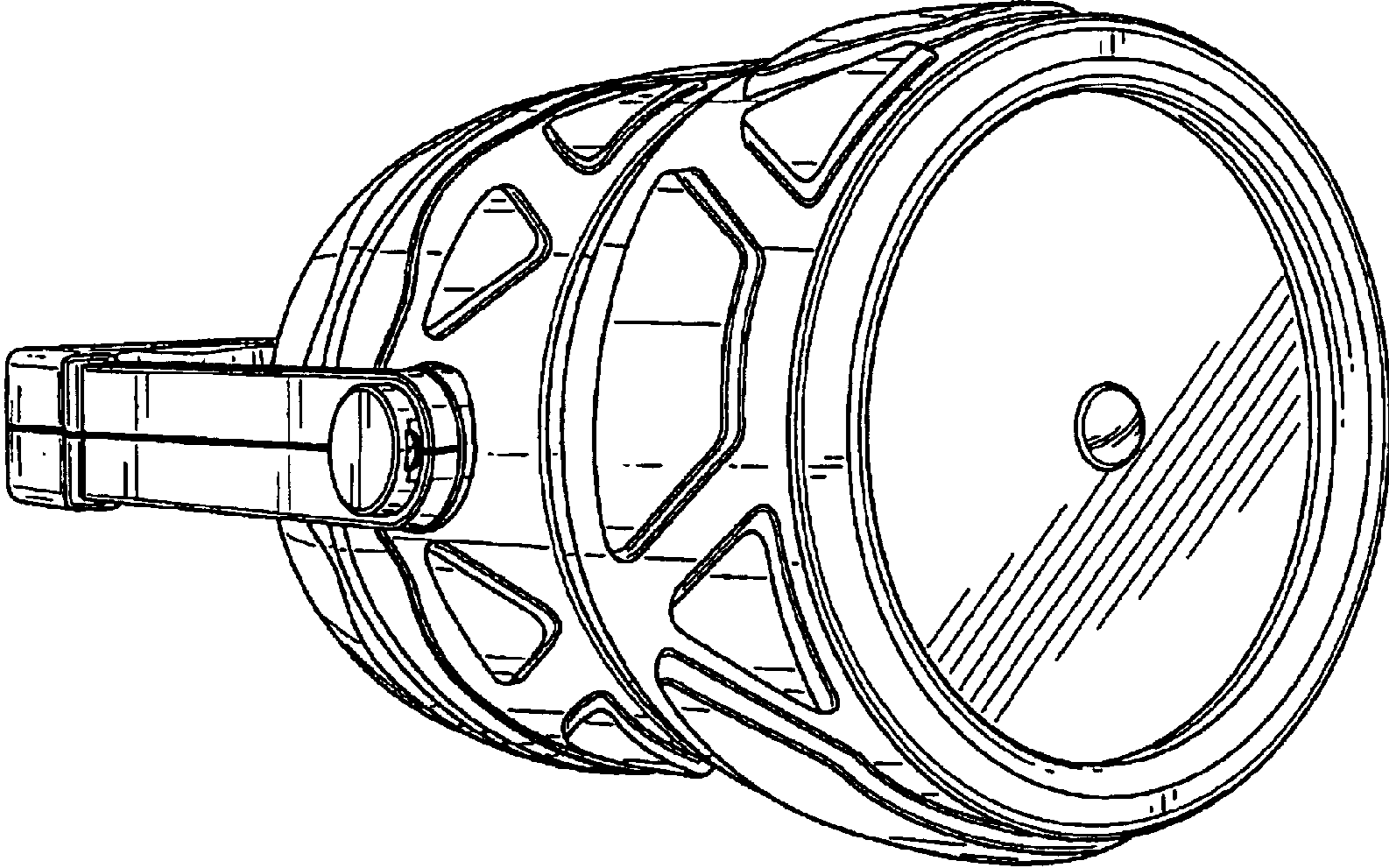


FIG. 8

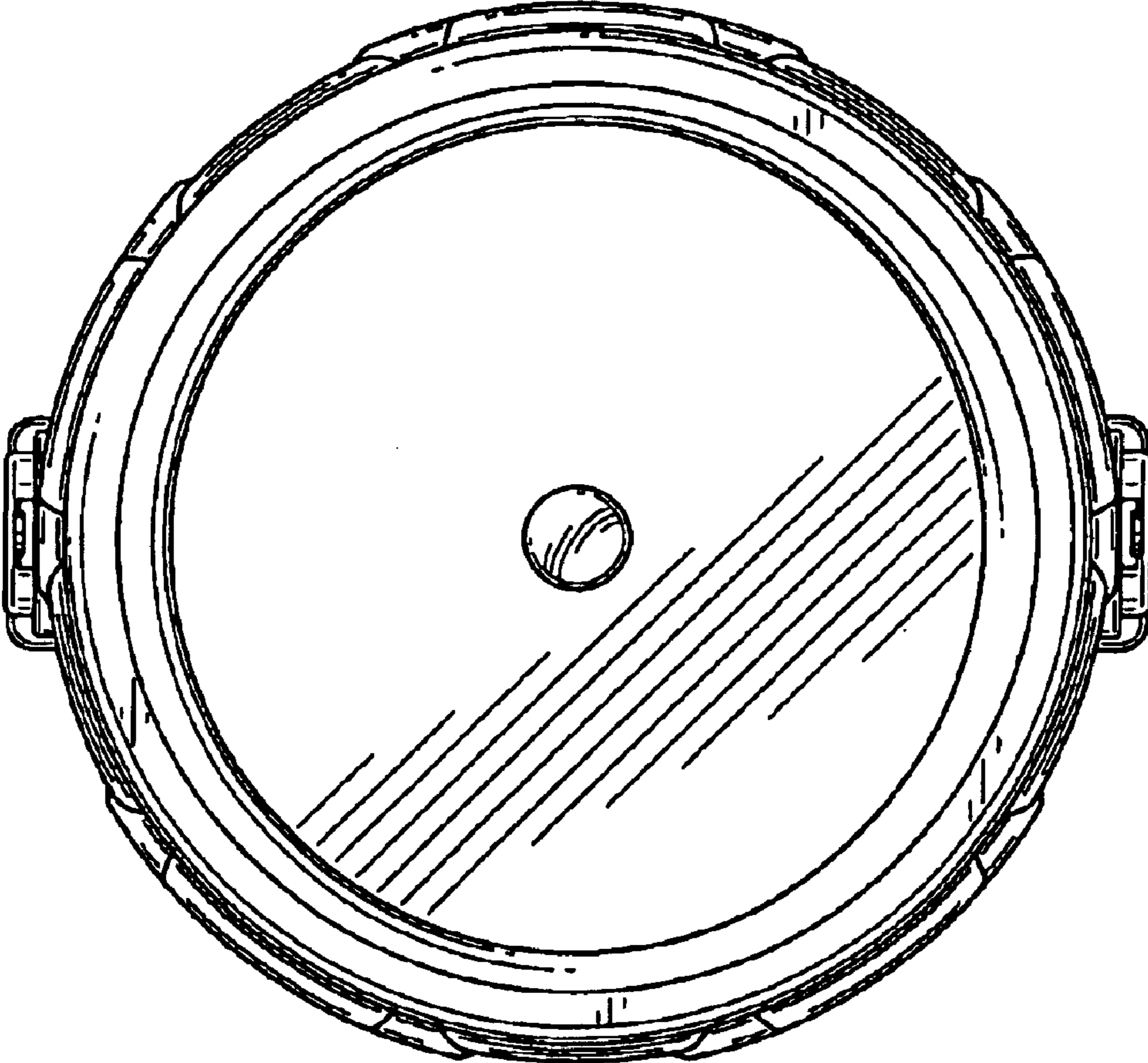


FIG. 9

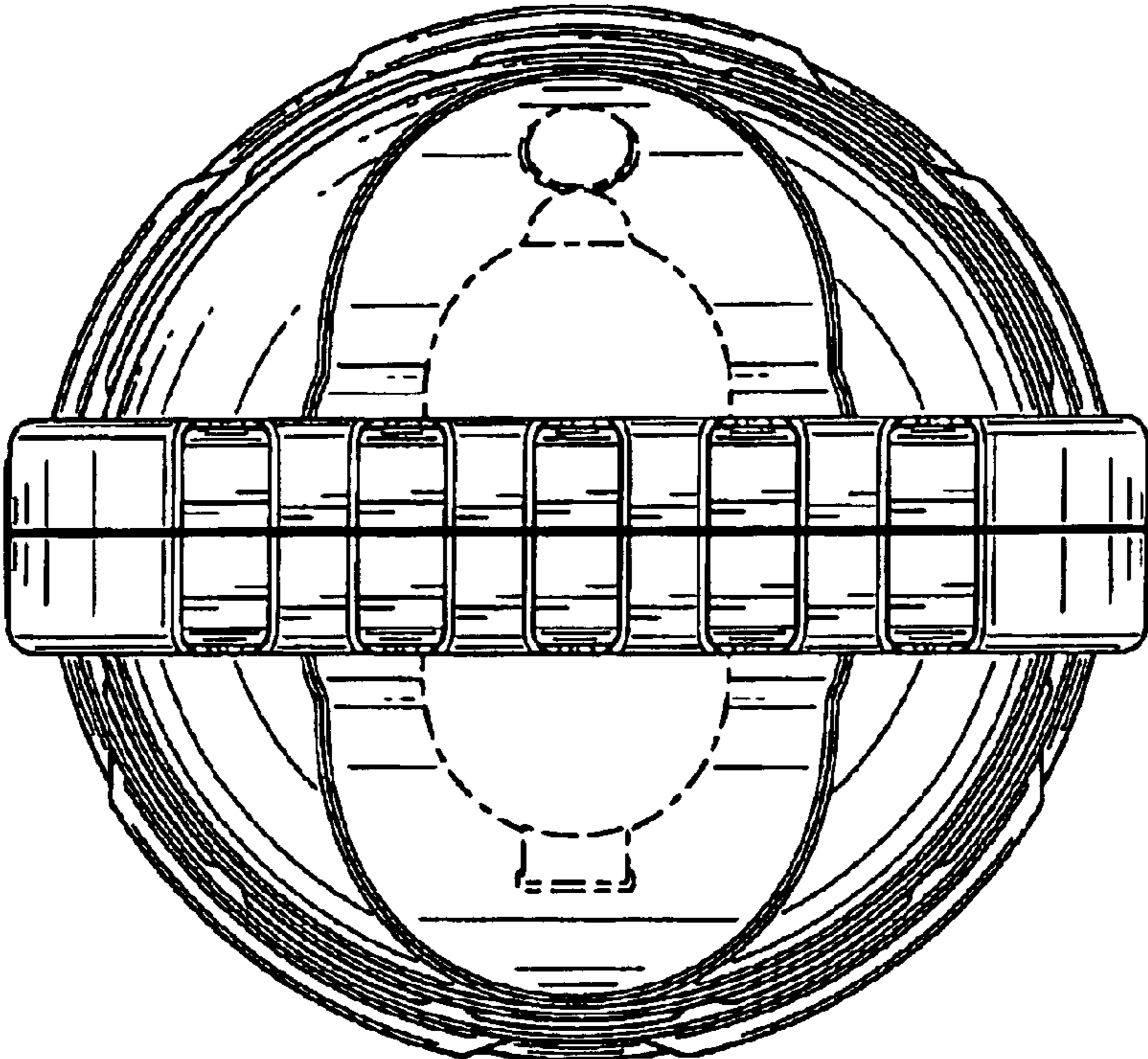


FIG. 10

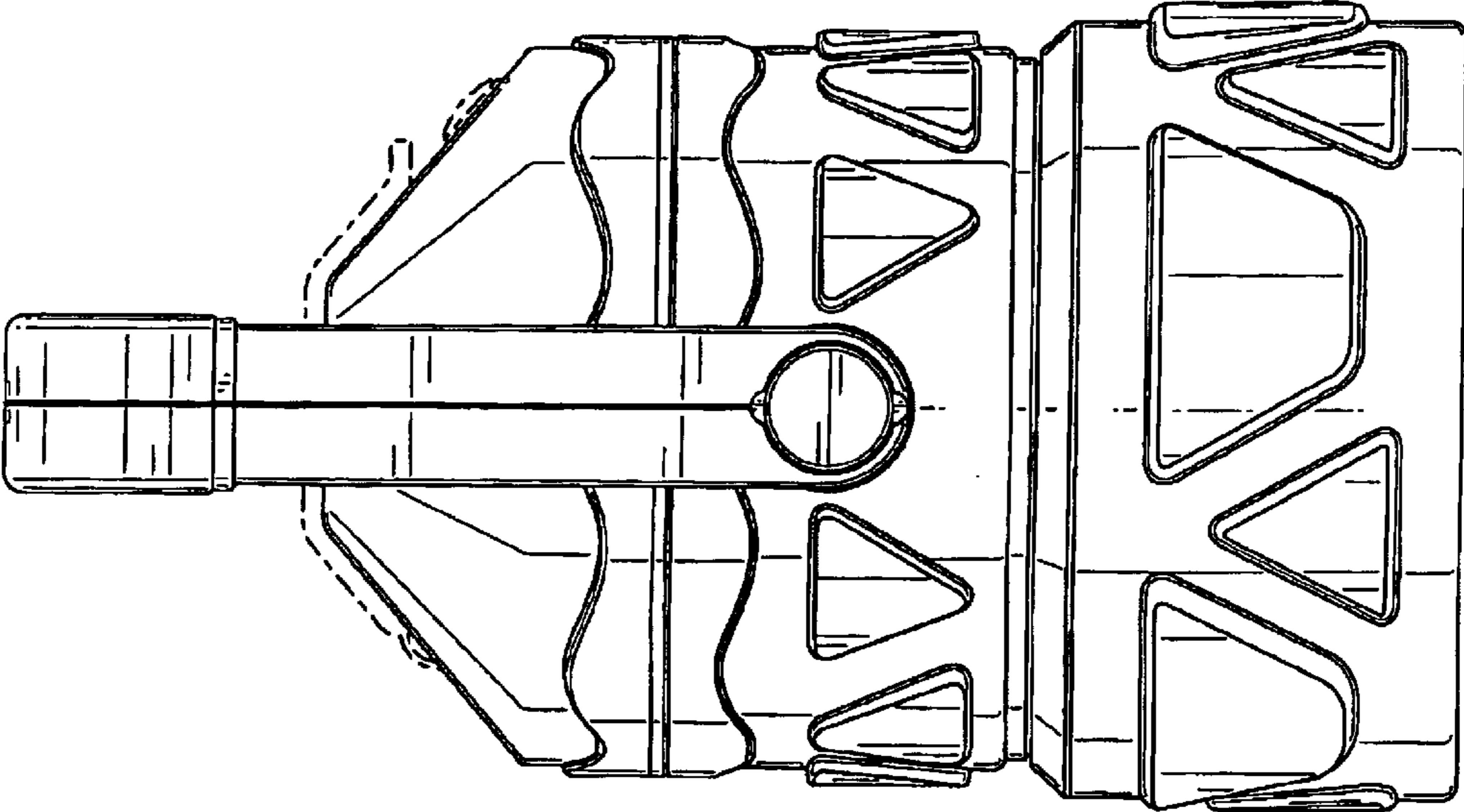


FIG. 11

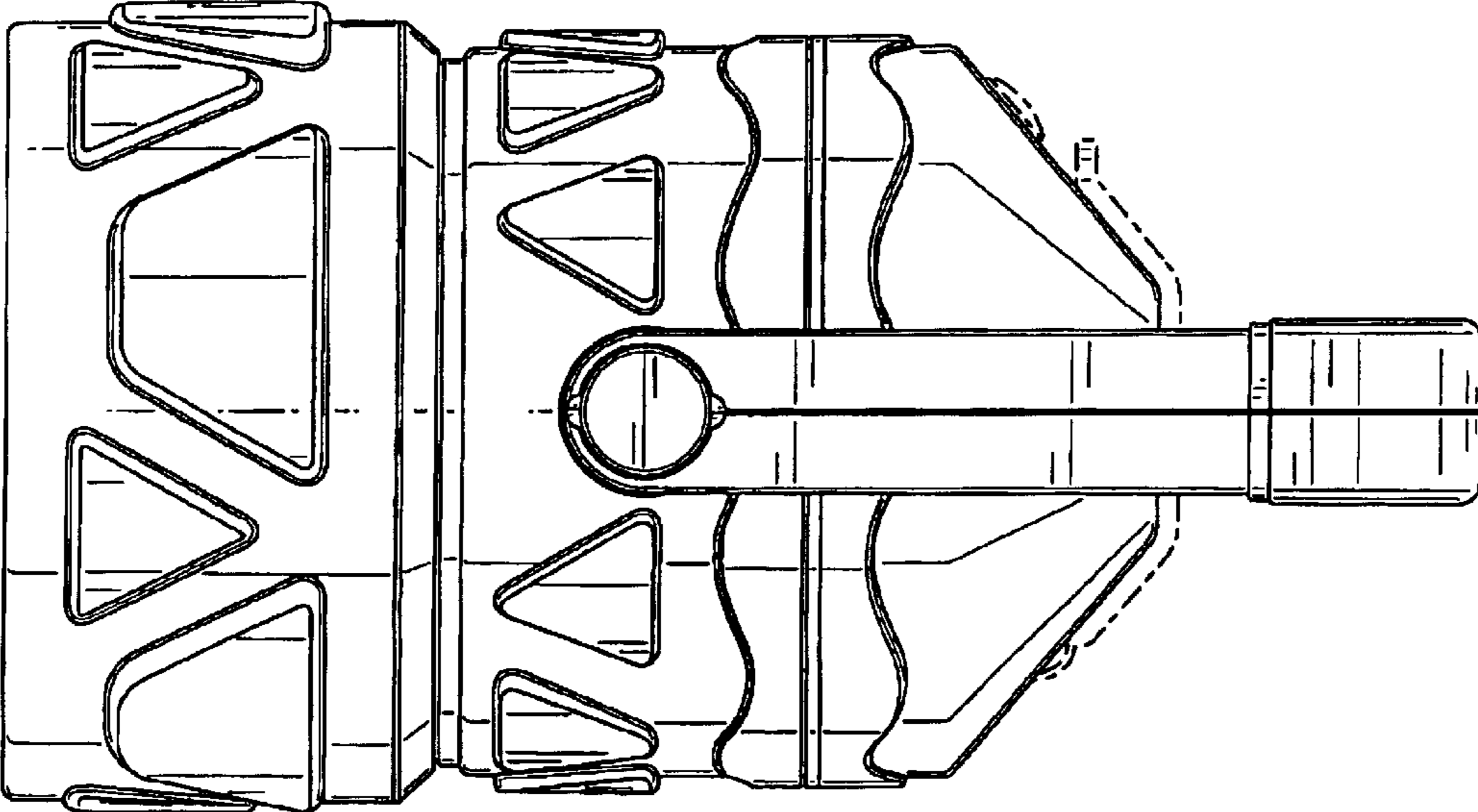


FIG. 12

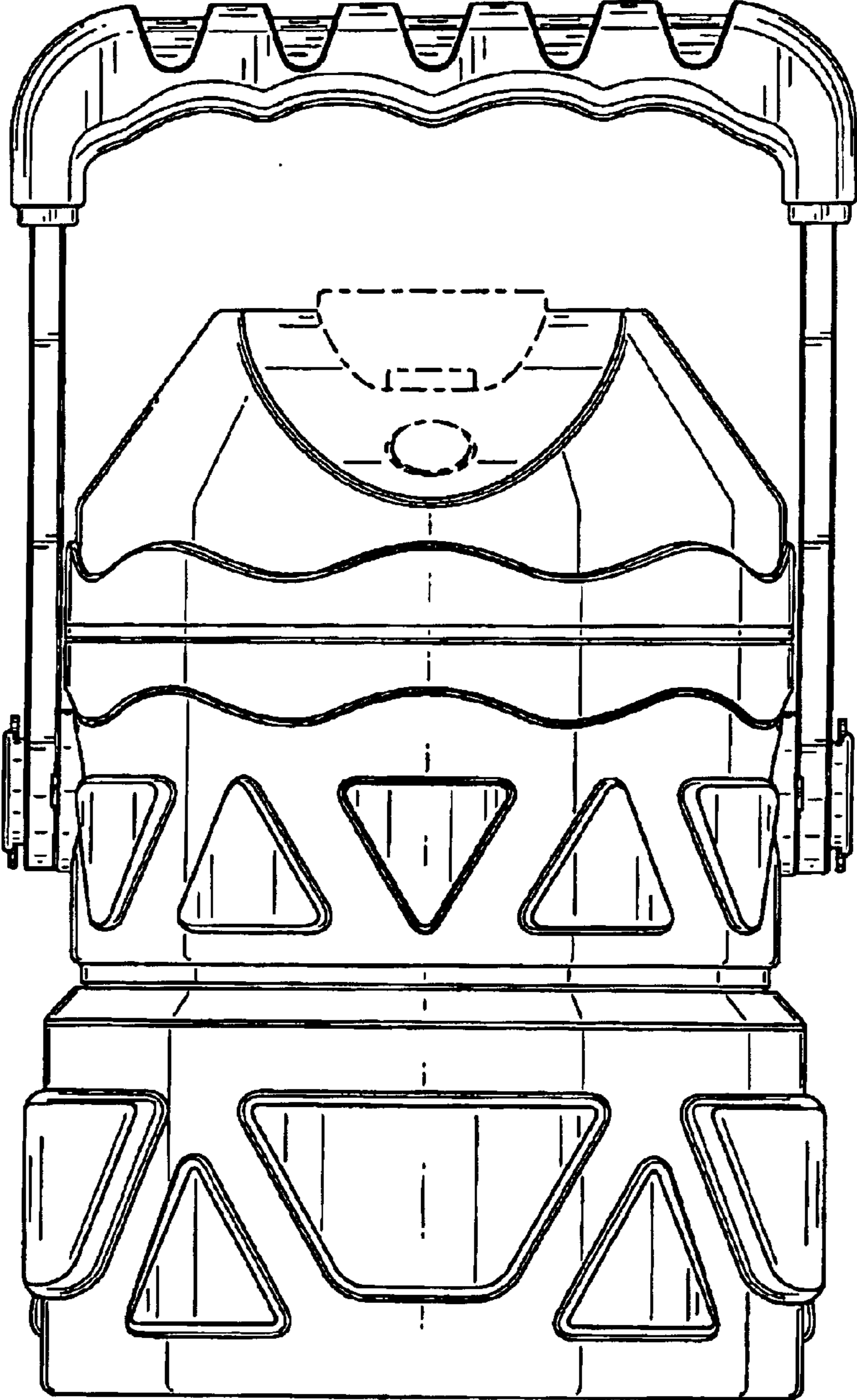


FIG. 13

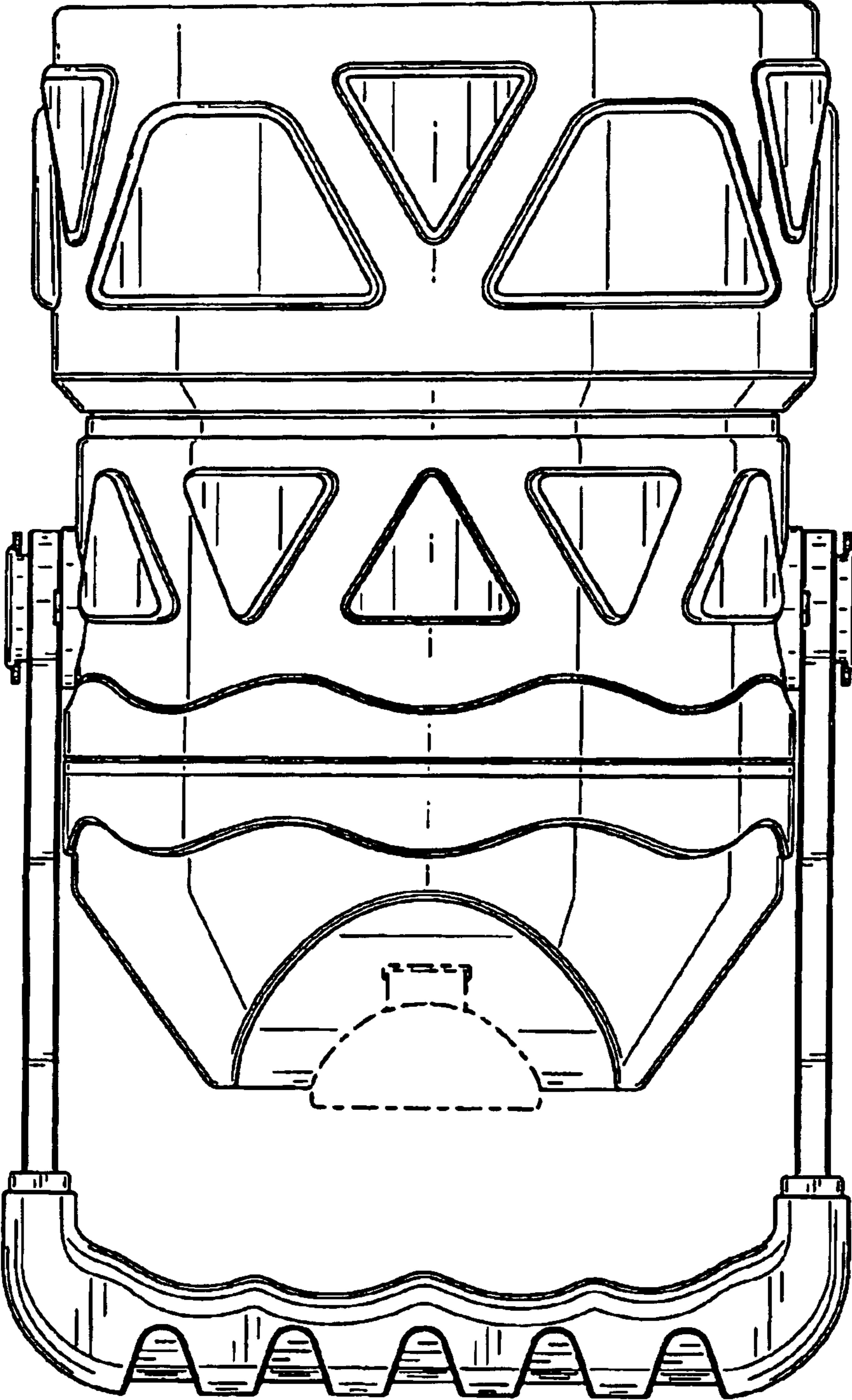


FIG. 14

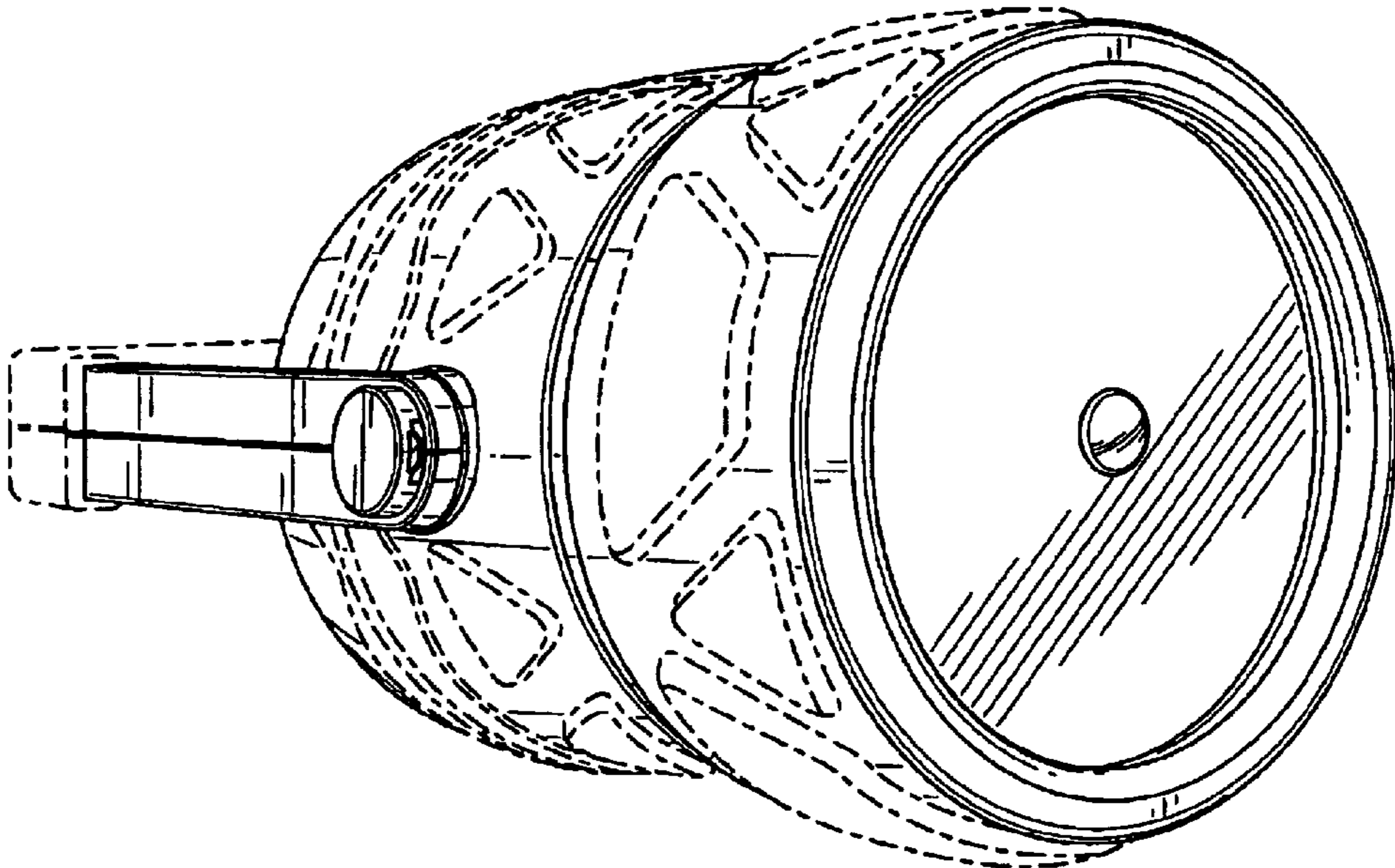


FIG. 15

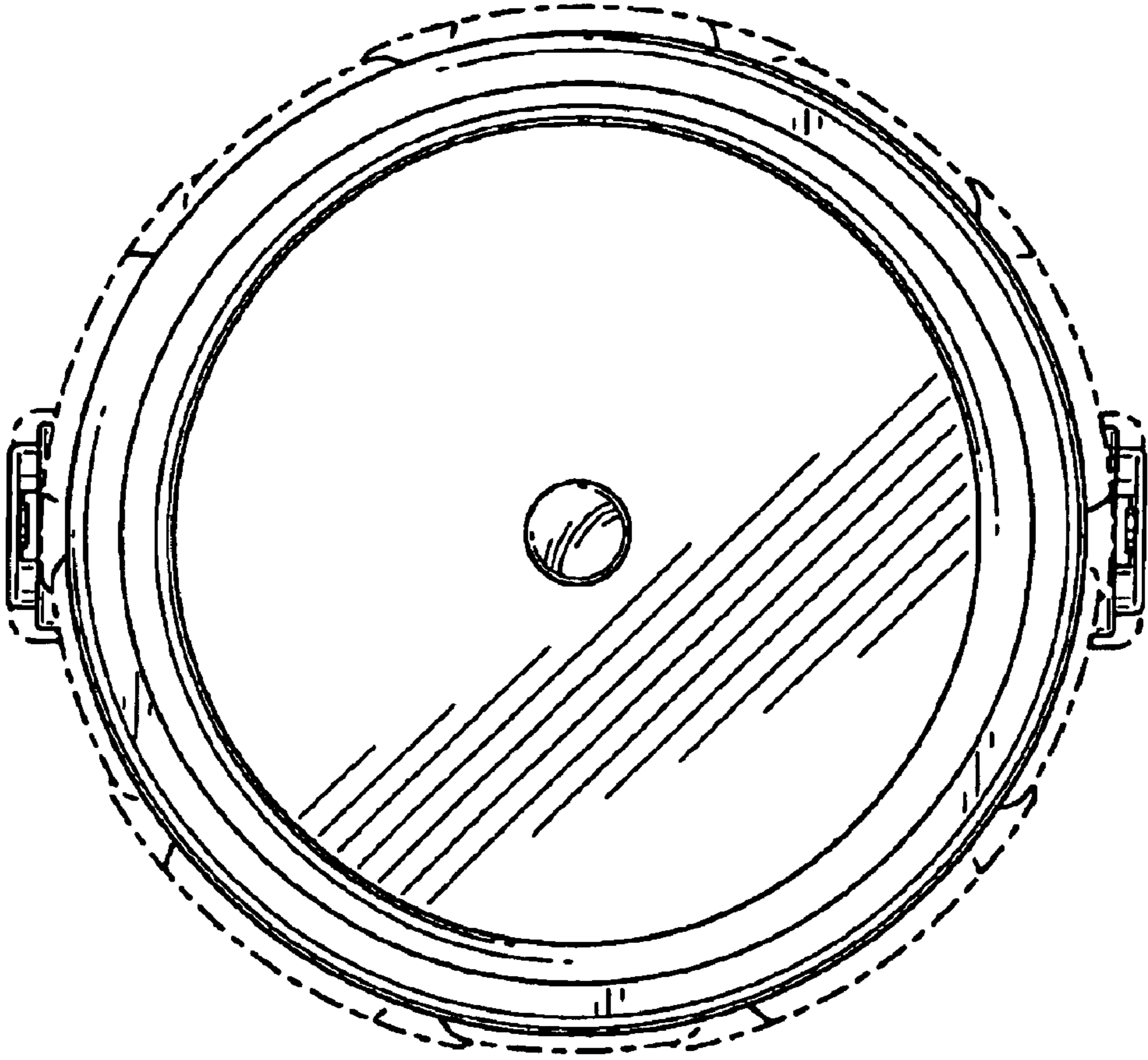


FIG. 16

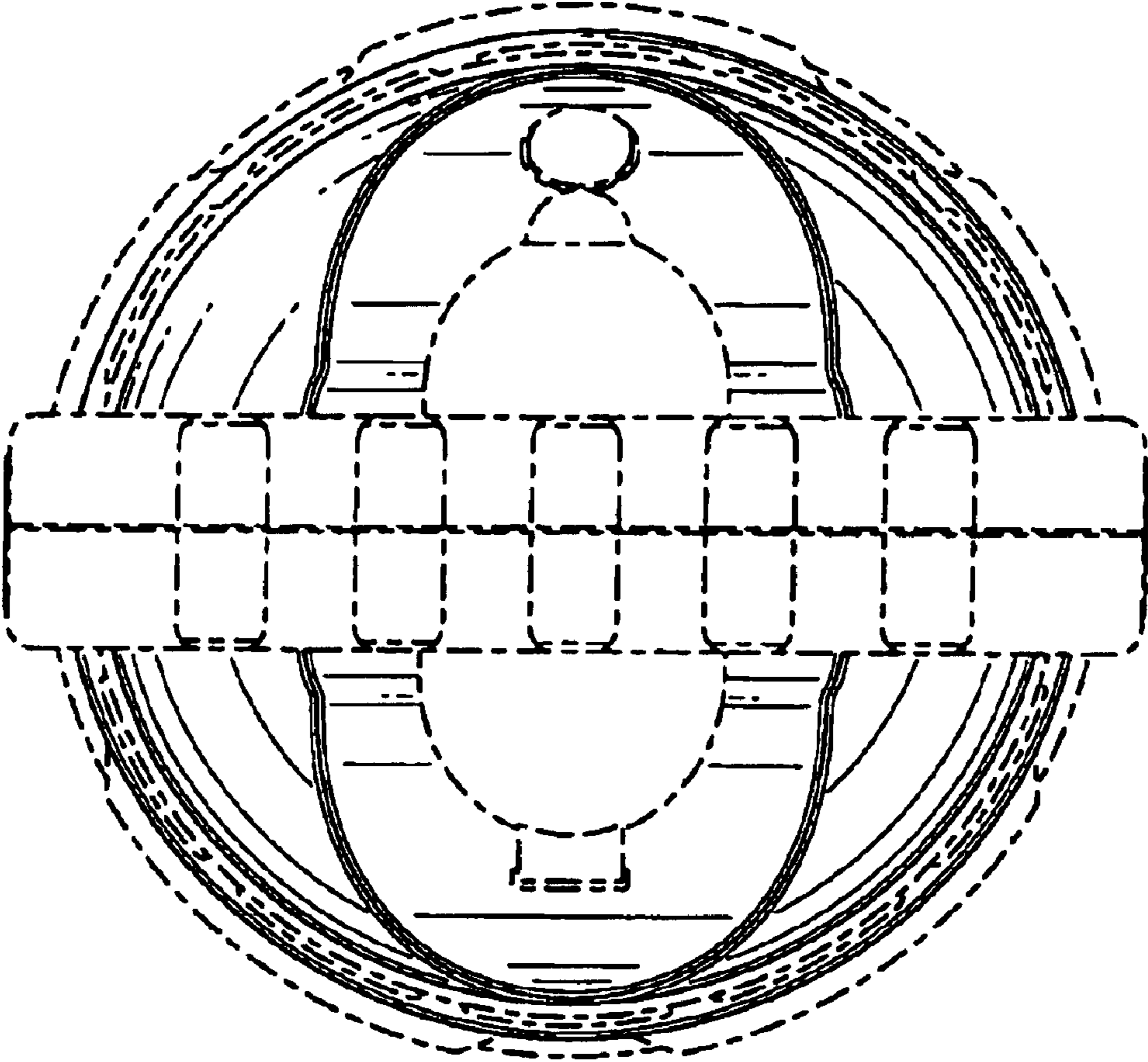


FIG. 17

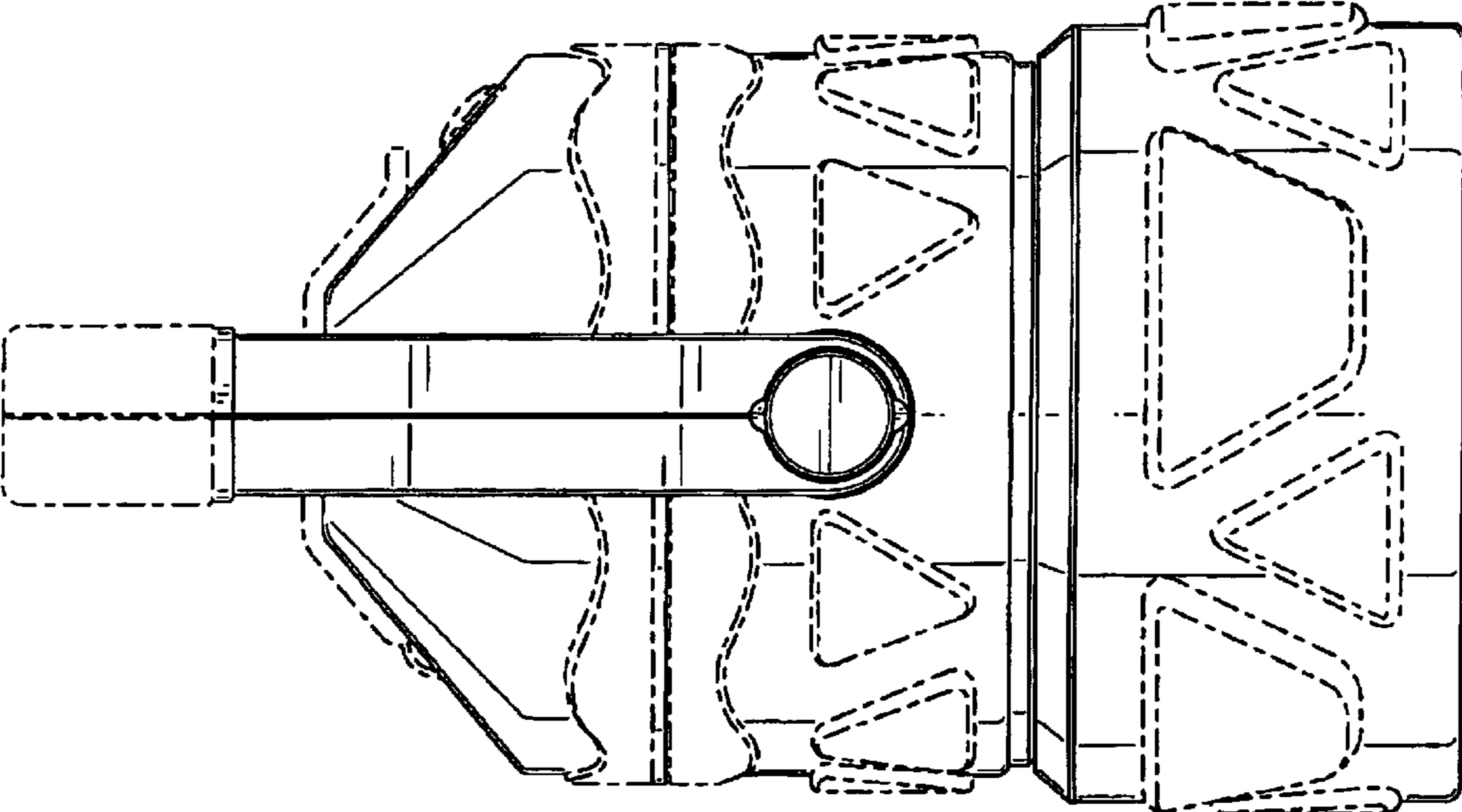


FIG. 18

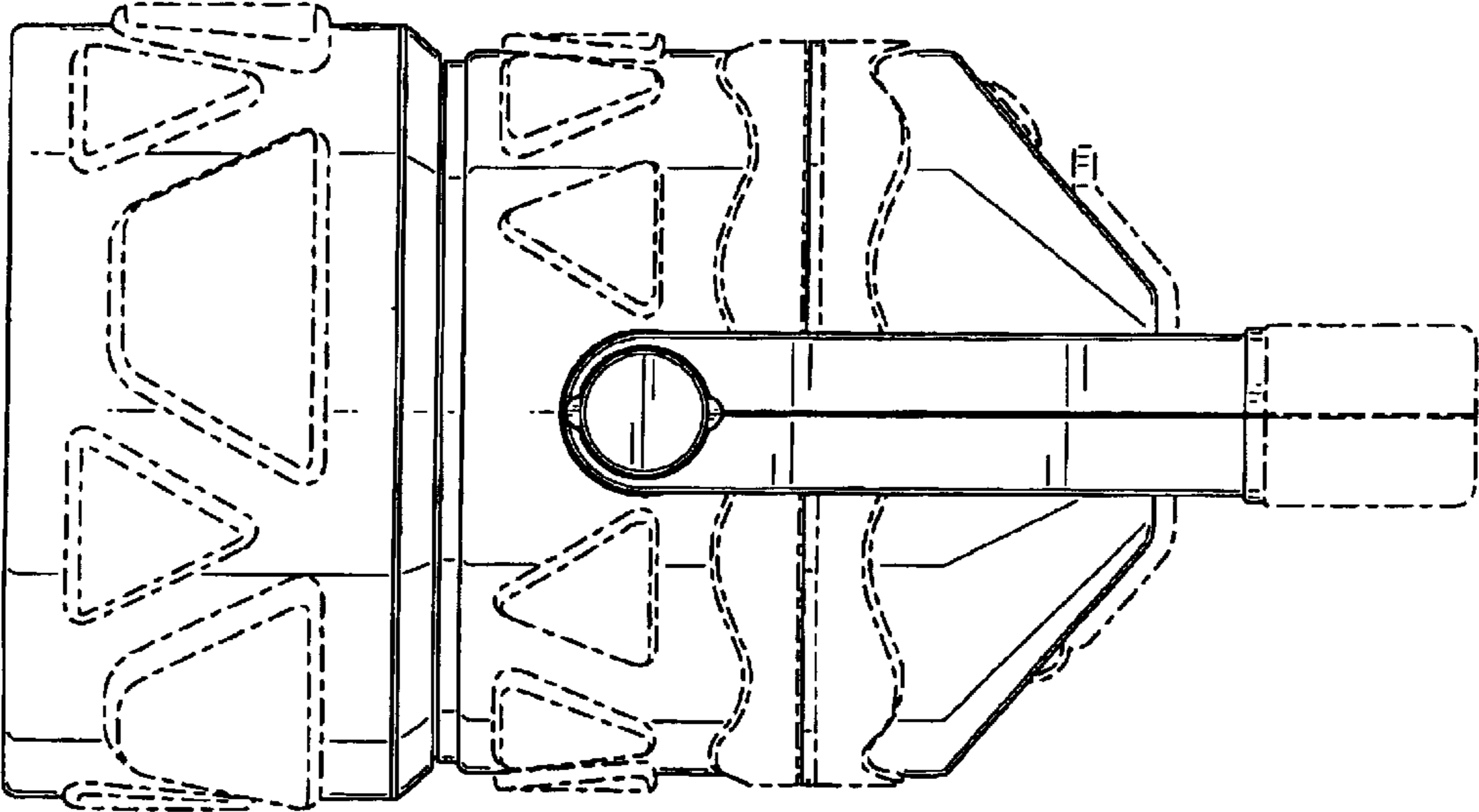


FIG. 19

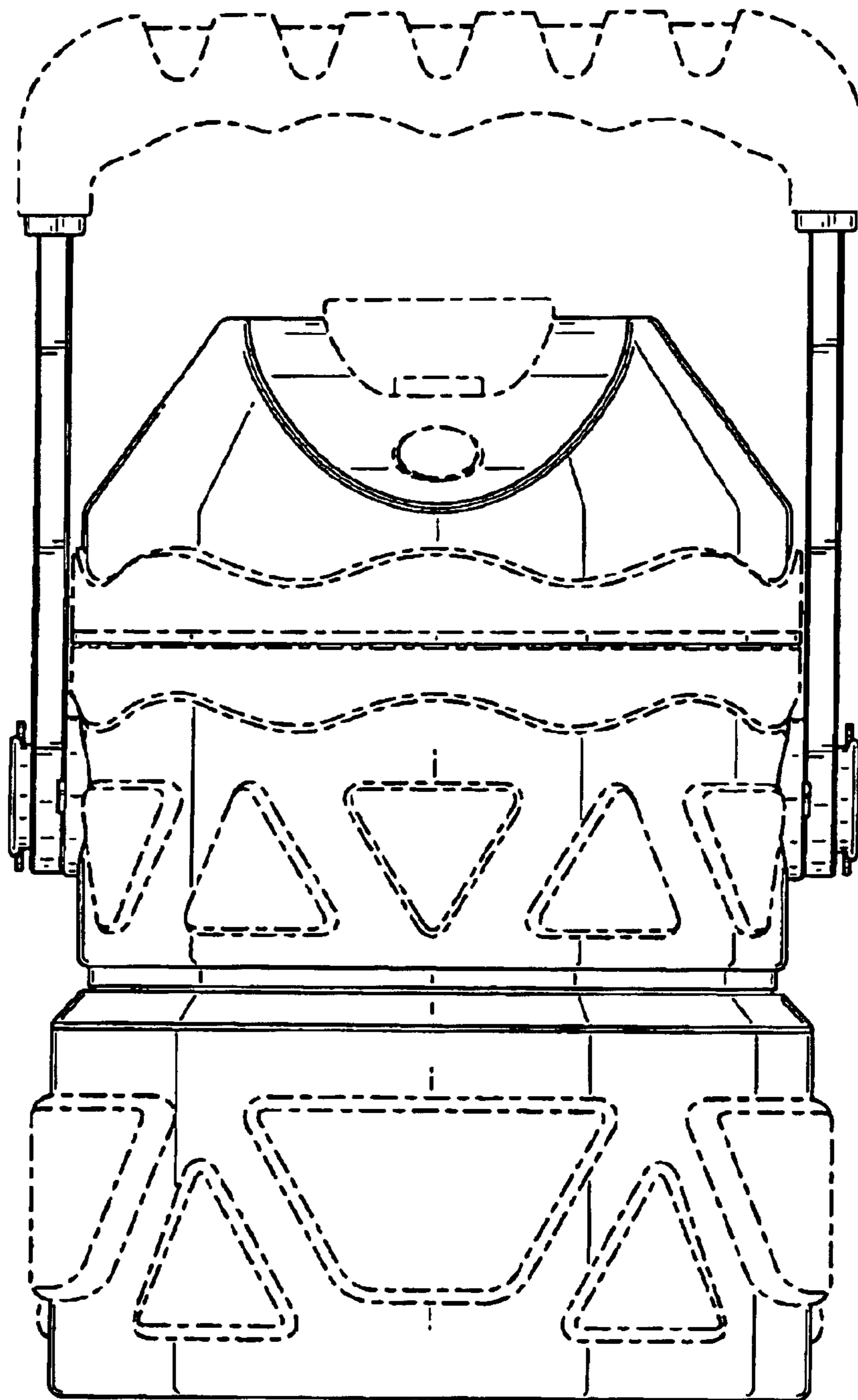


FIG. 20

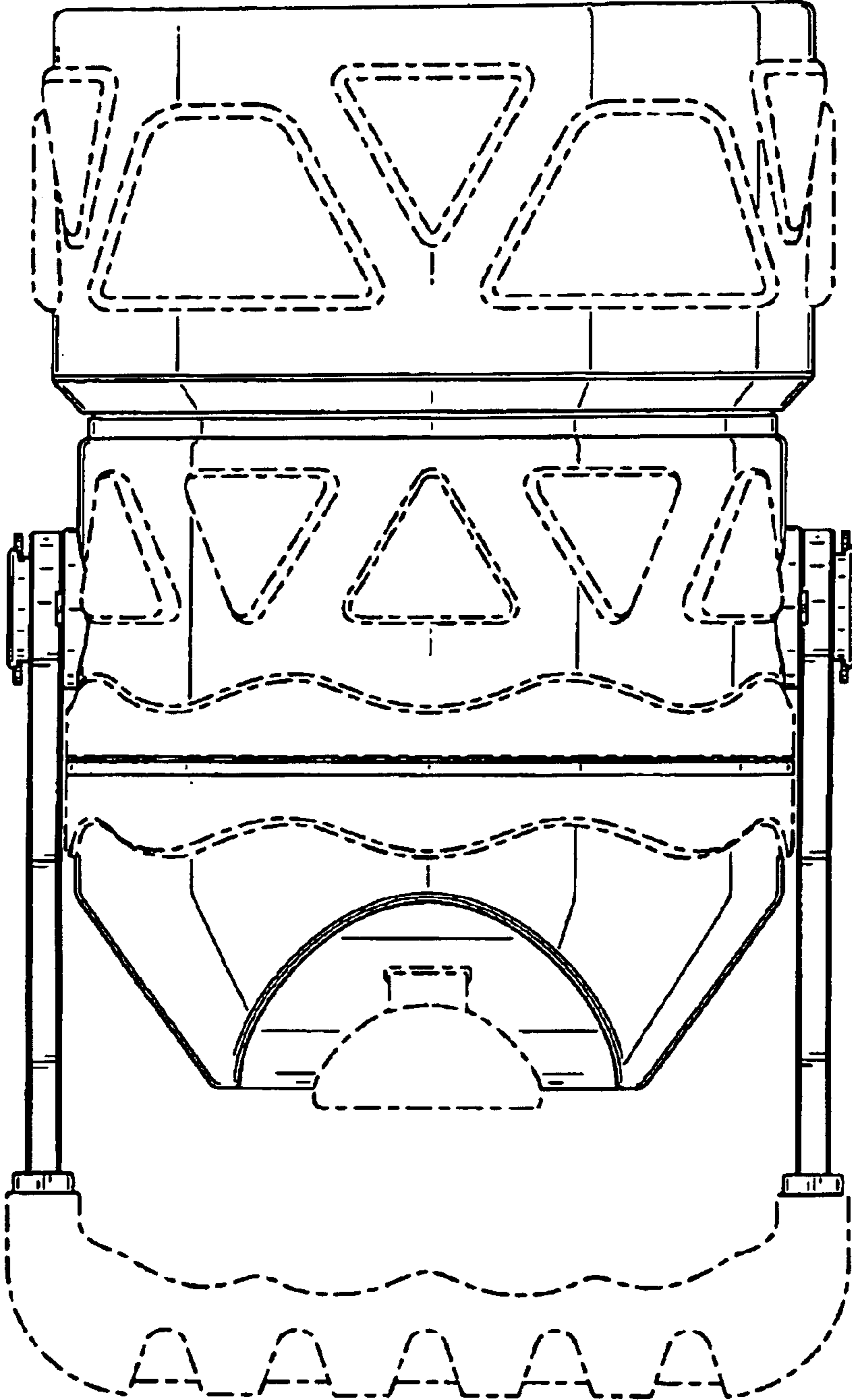


FIG. 21