

US00D514718S

(12) **United States Design Patent**
Lin

(10) **Patent No.:** **US D514,718 S**

(45) **Date of Patent:** **** Feb. 7, 2006**

(54) **TAILLIGHT**

D504,965 S * 5/2005 Lin D26/28
D505,505 S * 5/2005 Hung D26/28

(76) **Inventor:** **Benny Lin**, No. 16, Lane 143, Sec. 2,
Kuangfu Rd., Sanchung City, Taipei
Hsien (TW)

* cited by examiner

(**) **Term:** **14 Years**

Primary Examiner—Marcus A. Jackson
(74) *Attorney, Agent, or Firm*—Dennison, Schultz,
Dougherty & MacDonald

(21) **Appl. No.:** **29/202,117**

(57) **CLAIM**

(22) **Filed:** **Mar. 26, 2004**

The ornamental design for a taillight, as shown.

(51) **LOC (8) Cl.** **26-06**

DESCRIPTION

(52) **U.S. Cl.** **D26/28**

(58) **Field of Classification Search** D28/28–36;
362/459–468, 475–478, 485–487
See application file for complete search history.

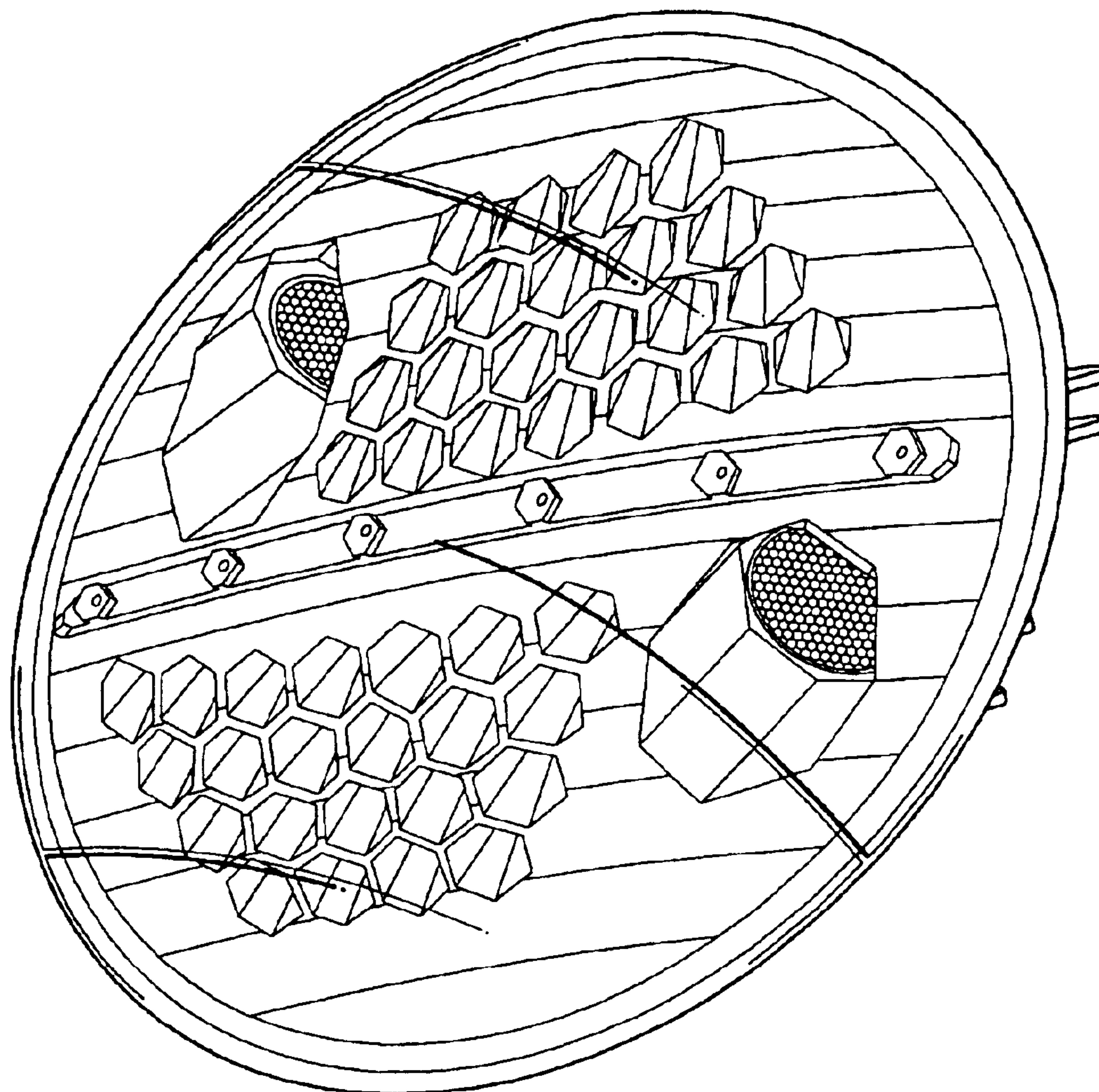
FIG. 1 is a perspective view of a taillight, showing my new design;
FIG. 2 is a front view thereof;
FIG. 3 is a rear view thereof;
FIG. 4 is a rear perspective view thereof;
FIG. 5 is a left elevational view thereof; and,
FIG. 6 is a right elevational view thereof.

(56) **References Cited**

U.S. PATENT DOCUMENTS

D500,375 S * 12/2004 He D26/28
D502,560 S * 3/2005 Kushima D26/28

1 Claim, 5 Drawing Sheets



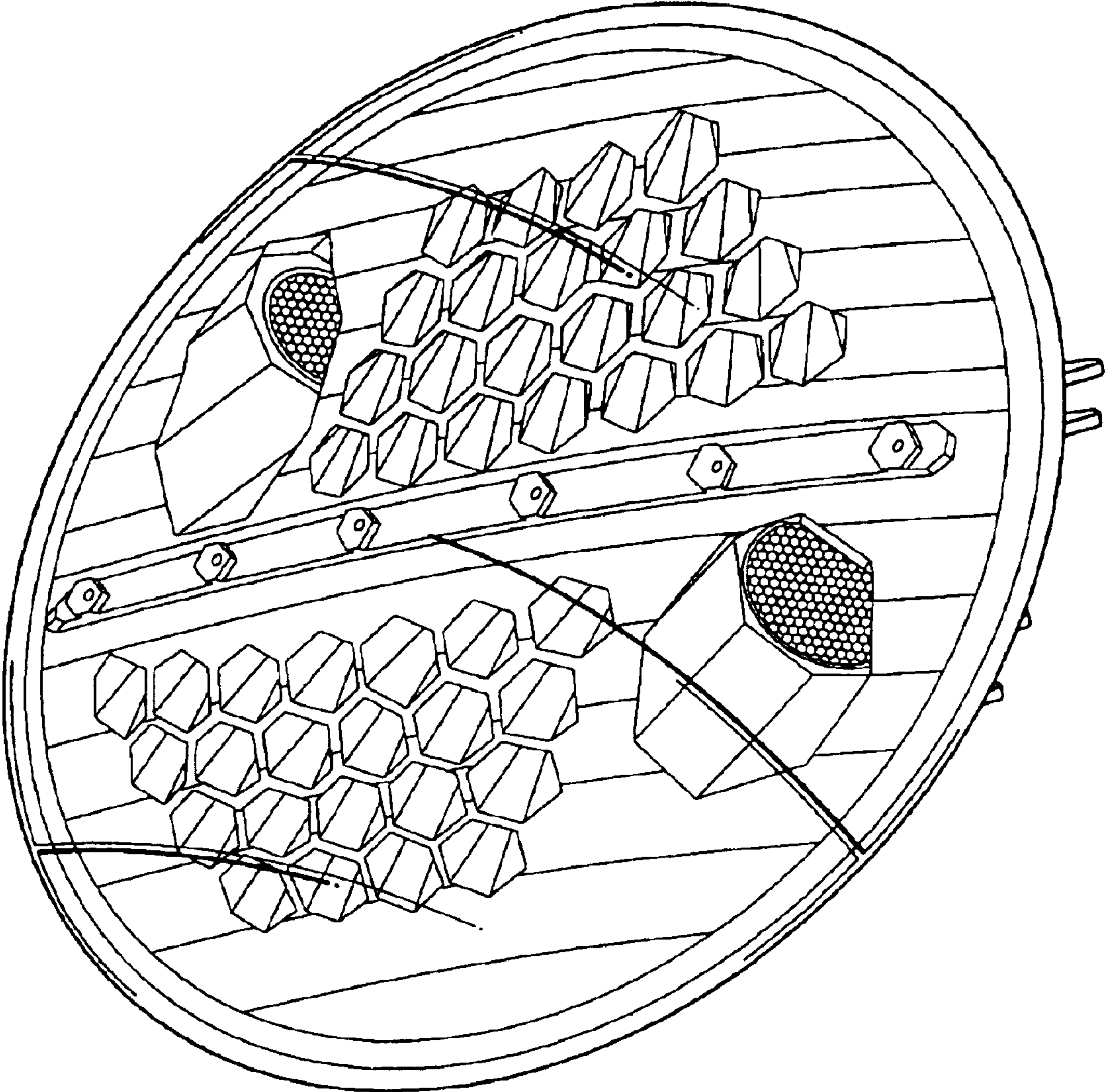


FIG. 1

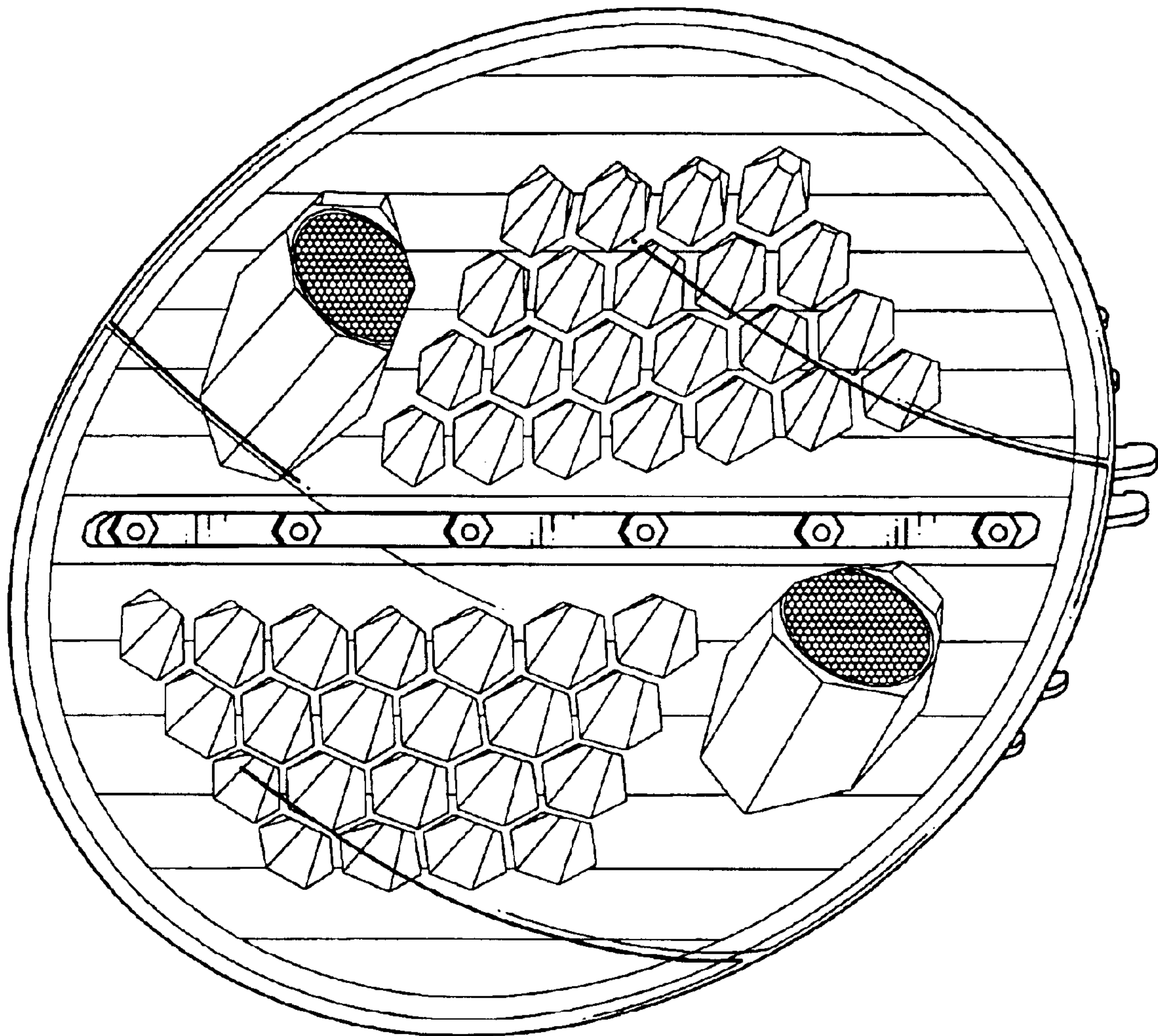


FIG. 2

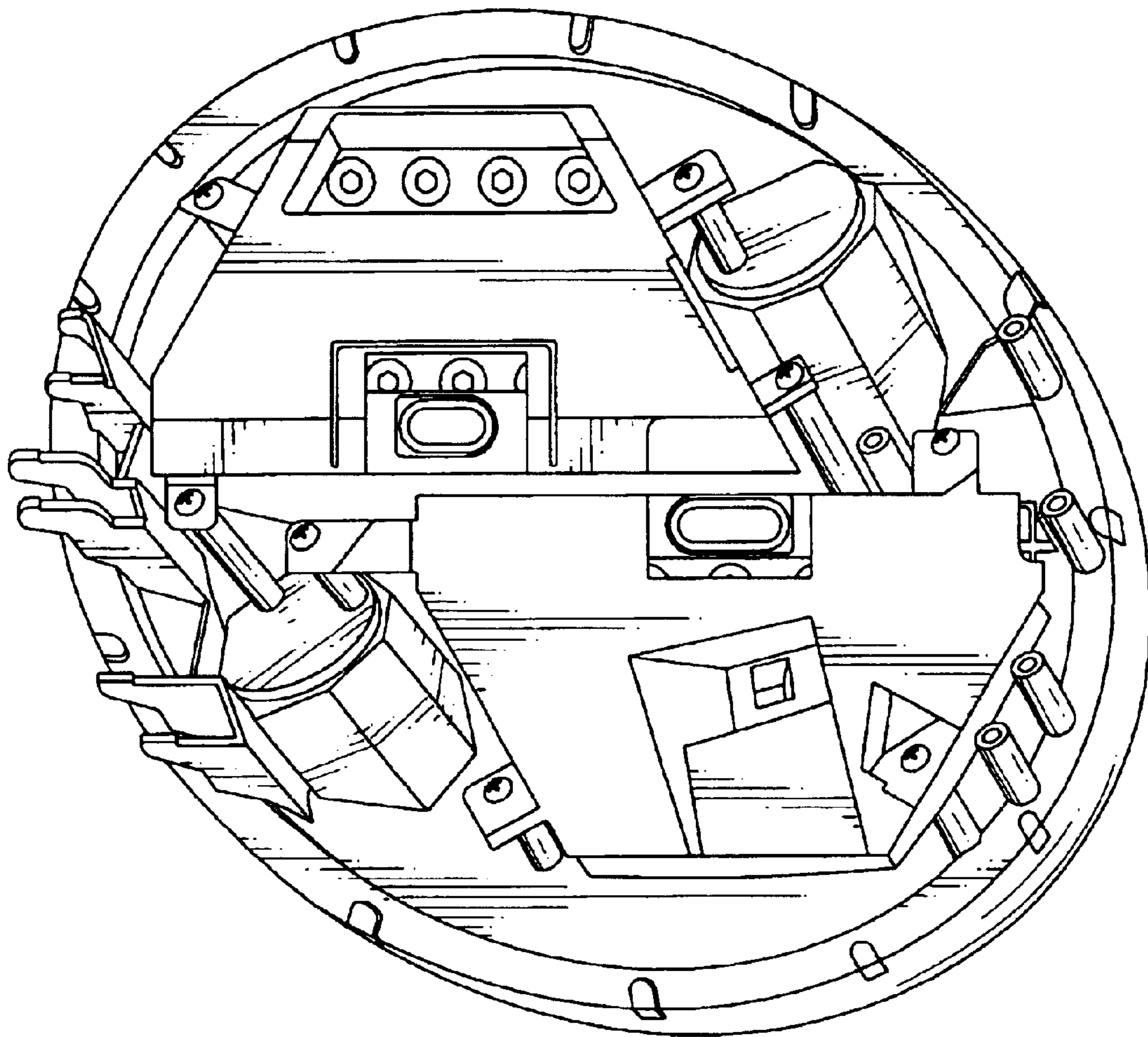


FIG. 3

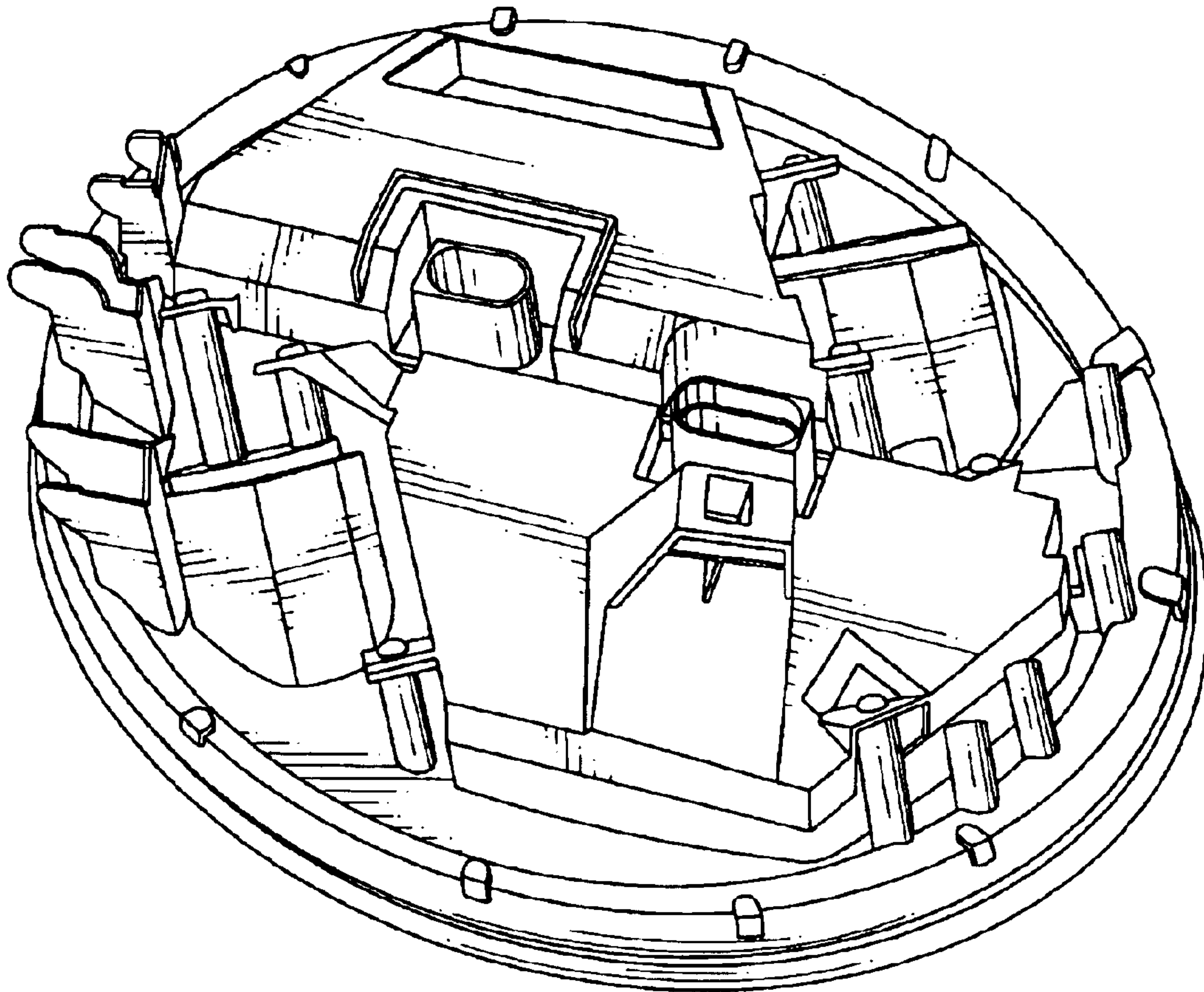


FIG. 4

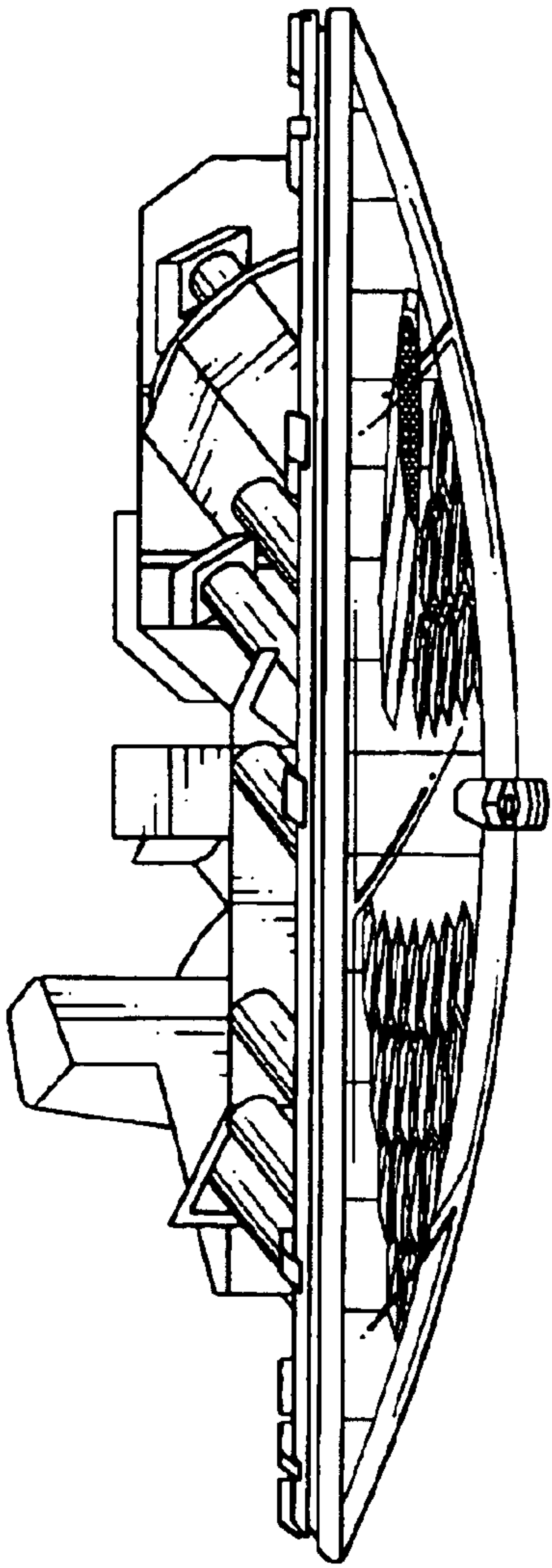


FIG. 5

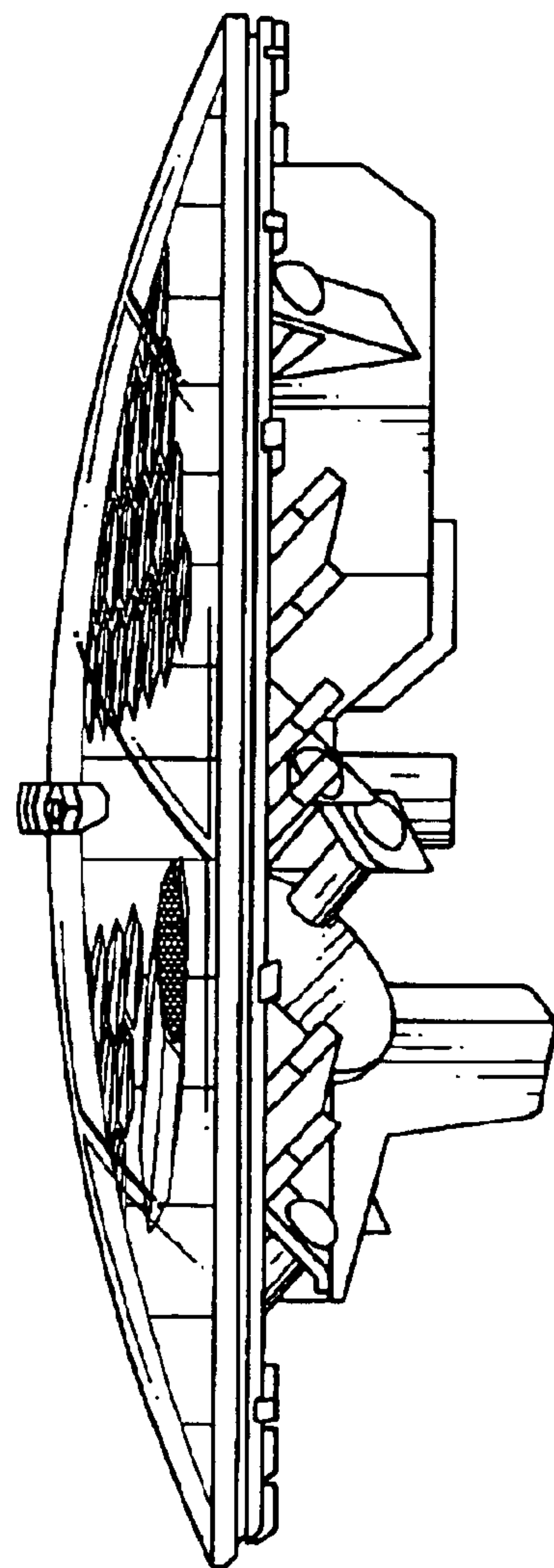


FIG. 6