



US00D514714S

(12) **United States Design Patent** (10) **Patent No.:** **US D514,714 S**
Jones (45) **Date of Patent:** **** Feb. 7, 2006**

(54) **LANDSCAPE EDGING AND IRRIGATION DEVICE**

(75) Inventor: **Sheila Jones**, McGregor, TX (US)

(73) Assignee: **Easy Gardener Products, Ltd.**, Waco, TX (US)

(**) Term: **14 Years**

(21) Appl. No.: **29/210,787**

(22) Filed: **Aug. 5, 2004**

(51) **LOC (8) Cl.** **25-01**

(52) **U.S. Cl.** **D25/164**

(58) **Field of Classification Search** D25/164;
D23/214, 213; 405/36, 38, 39; 47/33, 79,
47/48.5; 239/273, 289

See application file for complete search history.

(56) **References Cited**

U.S. PATENT DOCUMENTS

3,387,786 A	6/1968	Rynberk	
3,485,449 A	12/1969	Wilson	
3,788,001 A	1/1974	Balfanz Jr.	47/33
4,281,473 A	8/1981	Emalfarb et al.	47/33
4,644,685 A	2/1987	Tisbo et al.	47/33
4,761,923 A	8/1988	Reum et al.	52/102

4,780,023 A	10/1988	Dalton	405/43
5,232,159 A	8/1993	Abbate, Sr. et al.	239/276
D353,213 S	12/1994	Reum	D25/164
6,138,405 A	* 10/2000	Matz	47/33
6,173,906 B1	* 1/2001	Von Kerens	239/273
D467,357 S	* 12/2002	O'Brien	D25/164
D475,434 S	6/2003	Abbott	D23/214
6,619,565 B1	9/2003	Abbott	239/273

* cited by examiner

Primary Examiner—Doris Clark

(74) *Attorney, Agent, or Firm*—O'Keefe, Egan & Peterman, LLP

(57) **CLAIM**

The ornamental design for landscape edging and irrigation device, as shown and described.

DESCRIPTION

FIG. 1 is a front perspective view of a landscape edging and irrigation device showing the new design.

FIG. 2 is a front view thereof.

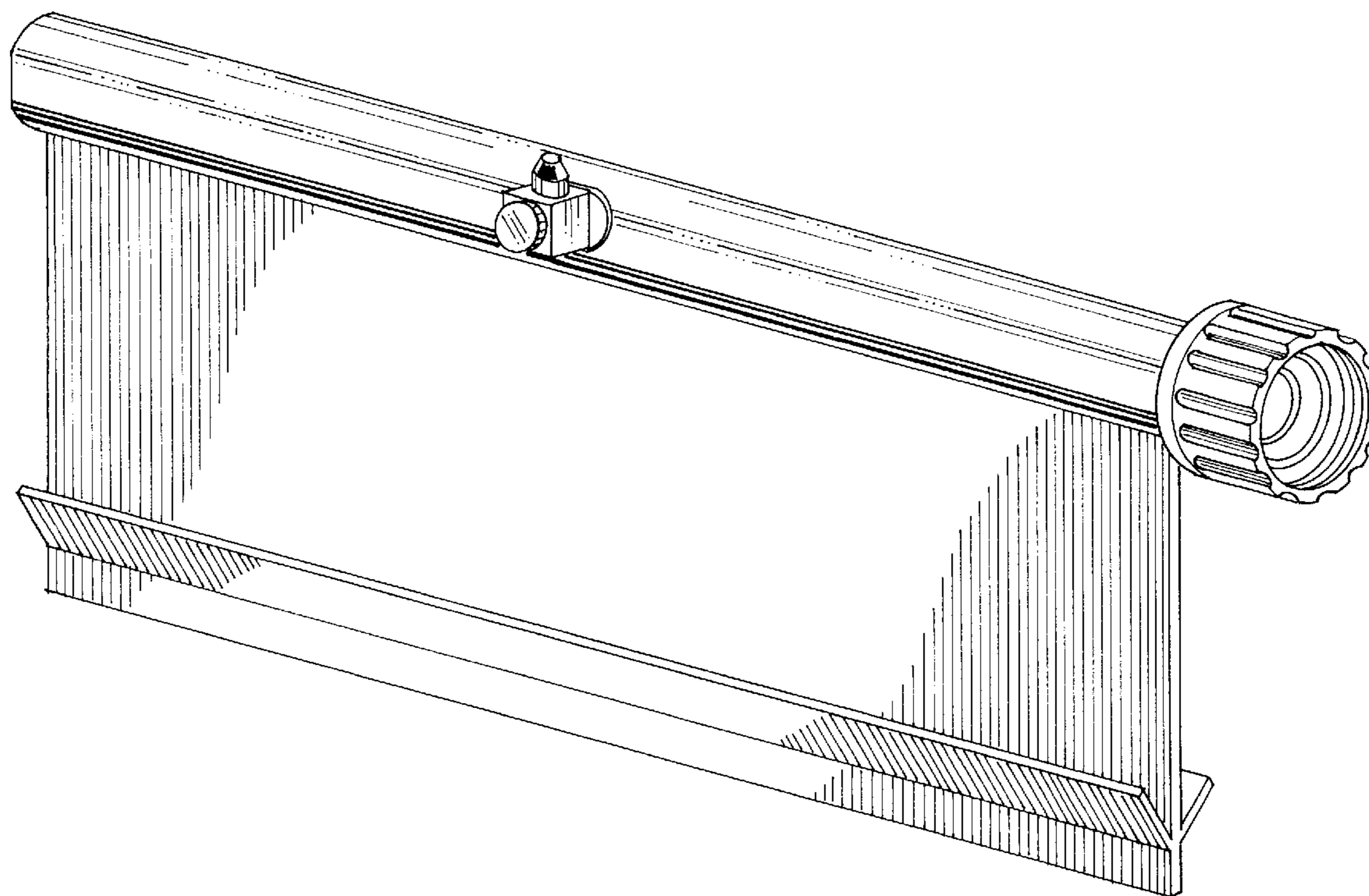
FIG. 3 is a back view thereof.

FIG. 4 is a right side view thereof.

FIG. 5 is a left side view thereof; and,

FIG. 6 is a bottom view thereof.

1 Claim, 3 Drawing Sheets



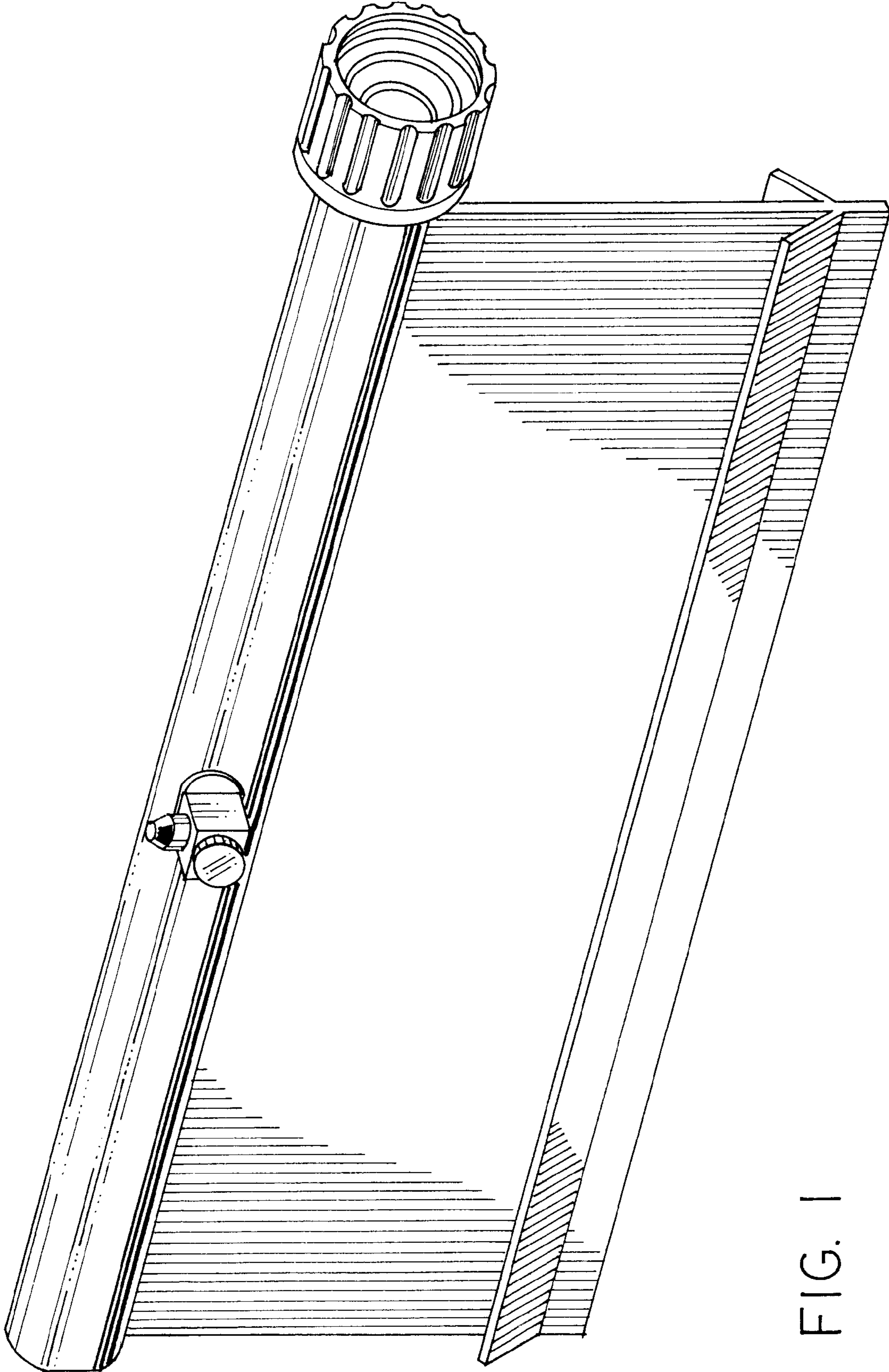


FIG. 1

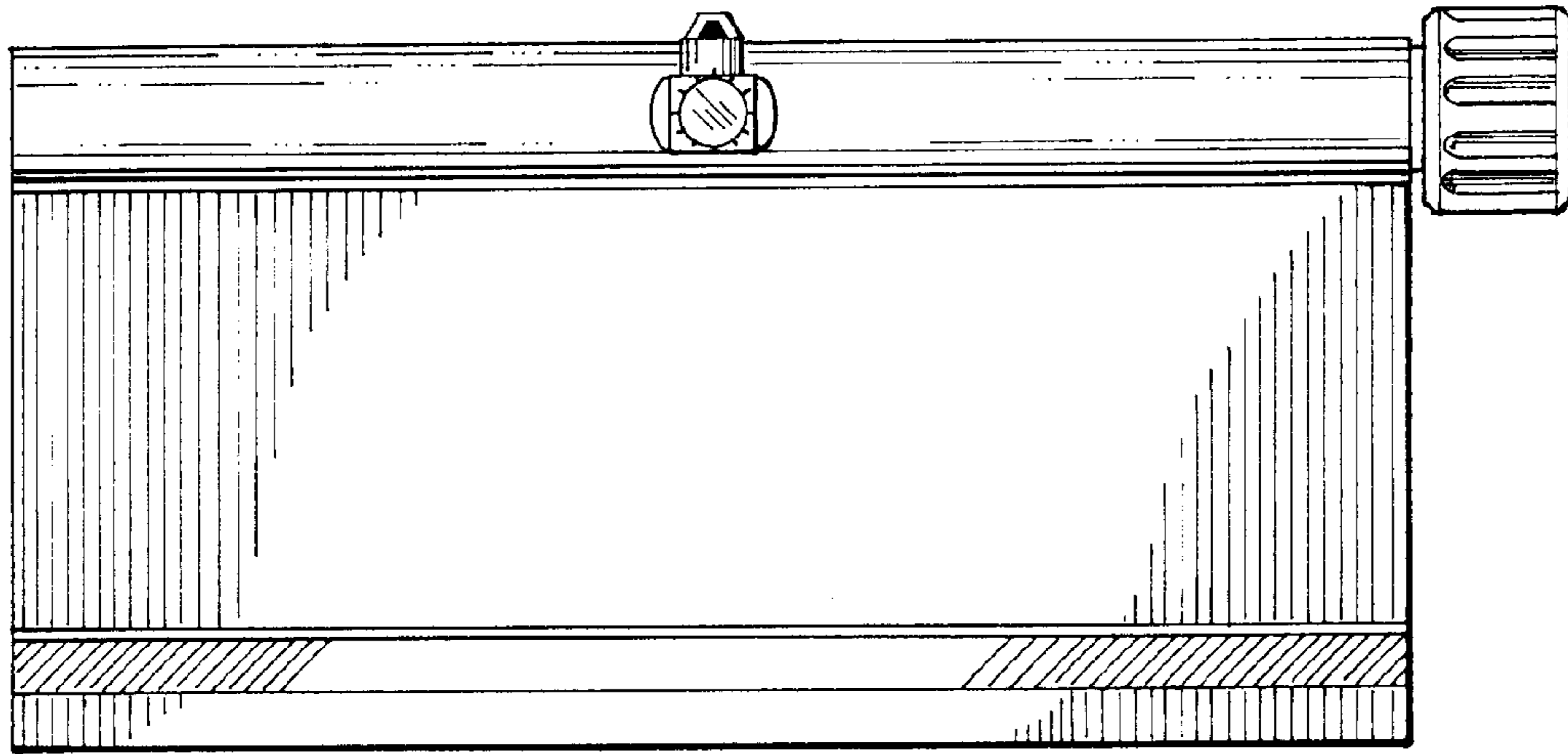


FIG. 2

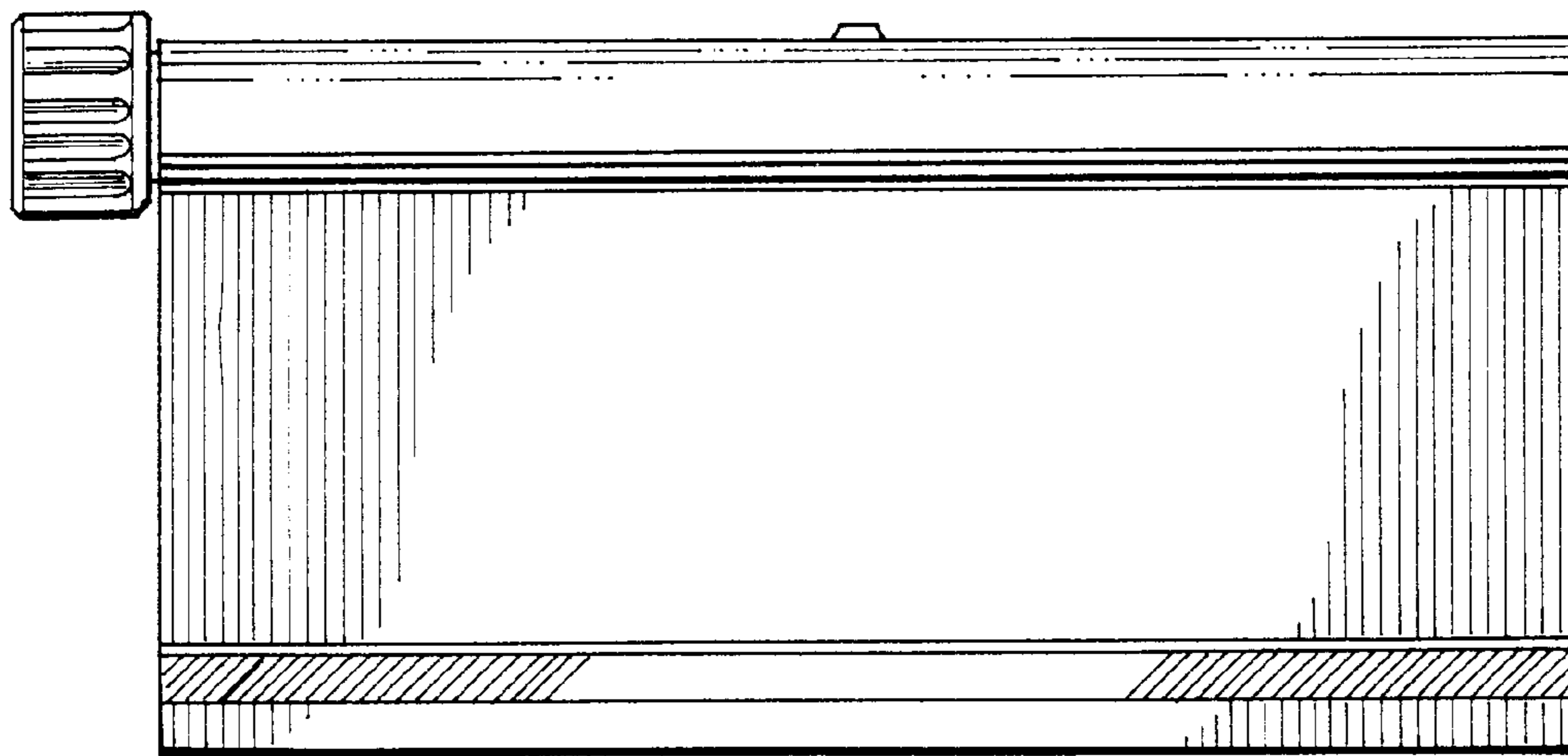


FIG. 3

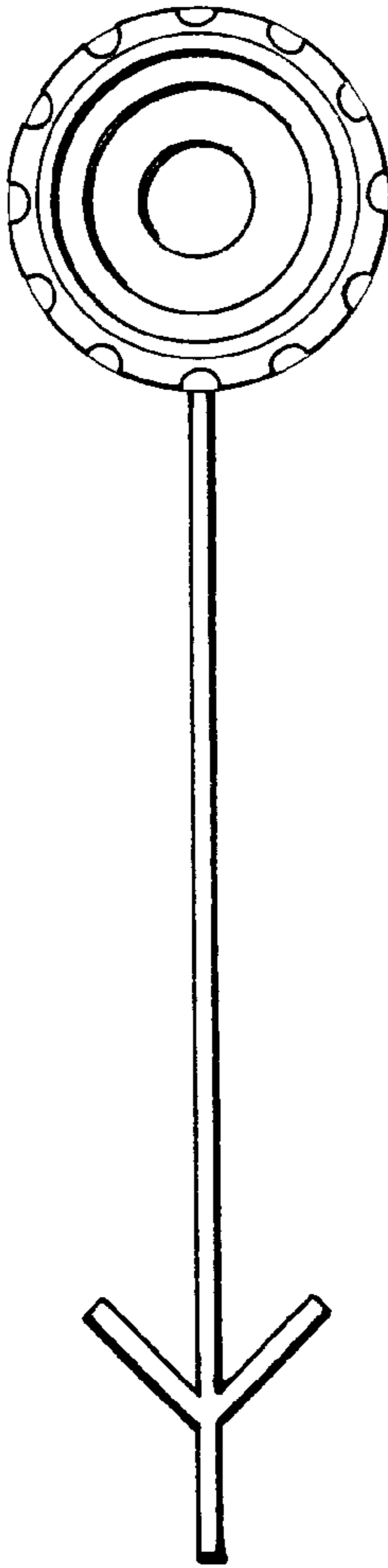


FIG. 4

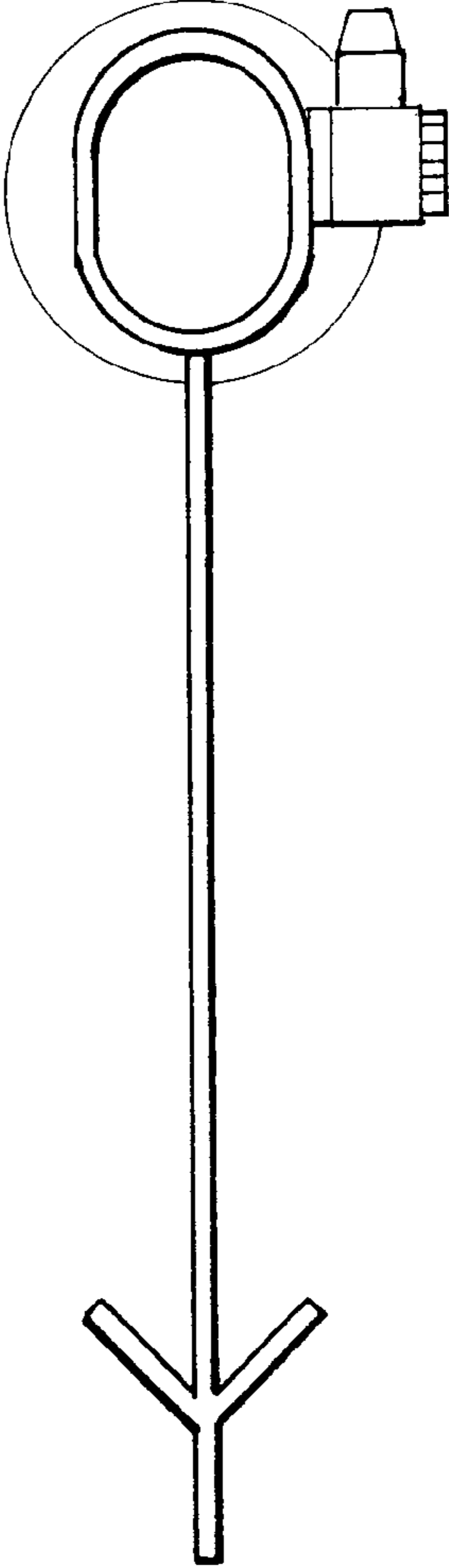


FIG. 5

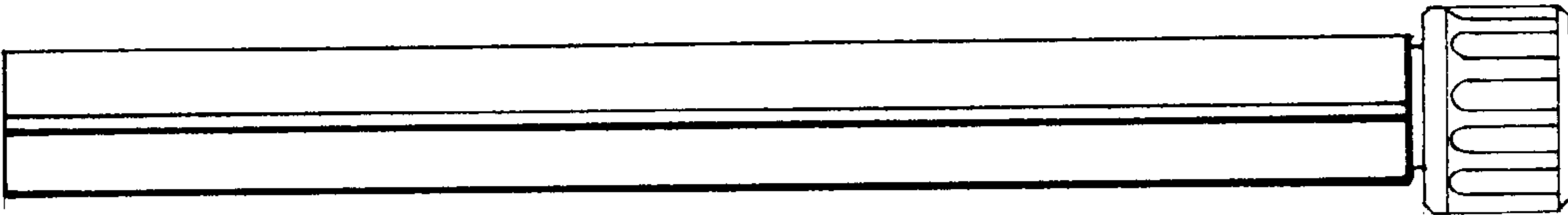


FIG. 6